



US00D836588S

(12) **United States Design Patent** (10) **Patent No.:** **US D836,588 S**
Cha et al. (45) **Date of Patent:** **** Dec. 25, 2018**

(54) **TELEVISION RECEIVER**

(56) **References Cited**

(71) Applicant: **LG ELECTRONICS INC.**, Seoul (KR)

U.S. PATENT DOCUMENTS

(72) Inventors: **Hyunbyung Cha**, Seoul (KR);
Yoonkyeong Lee, Seoul (KR);
Youngwon Jeong, Seoul (KR);
Byungmu Huh, Seoul (KR)

D660,815 S *	5/2012	Itou	D14/126
D666,165 S *	8/2012	Kim	D14/126
D675,175 S *	1/2013	Kim	D14/126
D691,102 S *	10/2013	Park	D14/126
D699,699 S *	2/2014	Park	D14/126
D725,616 S *	3/2015	Oh	D14/126
D746,243 S *	12/2015	Gao	D14/126
D758,983 S *	6/2016	Kim	D14/126
D763,213 S *	8/2016	Ann	D14/126
D796,463 S *	9/2017	So	D14/126
D796,465 S *	9/2017	Kim	D14/126
D808,353 S *	1/2018	Lee	D14/126

(73) Assignee: **LG ELECTRONICS INC.**, Seoul (KR)

(**) Term: **15 Years**

* cited by examiner

(21) Appl. No.: **35/503,194**

Primary Examiner — Michael A. Pratt

(22) Filed: **Dec. 12, 2016**

(74) *Attorney, Agent, or Firm* — Birch, Stewart, Kolasch & Birch, LLP

(80) **Hague Agreement Data**

(57) **CLAIM**

Int. Filing Date: **Dec. 12, 2016**

The ornamental design for television receiver, as shown and described.

Int. Reg. No.: **DM/093969**

Int. Reg. Date: **Dec. 12, 2016**

Int. Reg. Pub. Date: **Jun. 16, 2017**

DESCRIPTION

(30) **Foreign Application Priority Data**

Jun. 14, 2016 (KR) 30-2016-0028715

(51) **LOC (11) Cl.** **14-03**

(52) **U.S. Cl.**
USPC **D14/126**

(58) **Field of Classification Search**

USPC D14/126, 127, 128, 336, 448

CPC .. H05K 5/0017; H05K 5/0204; G06F 1/1692;
G06F 1/165; G06F 1/1601; G06F 1/1637;

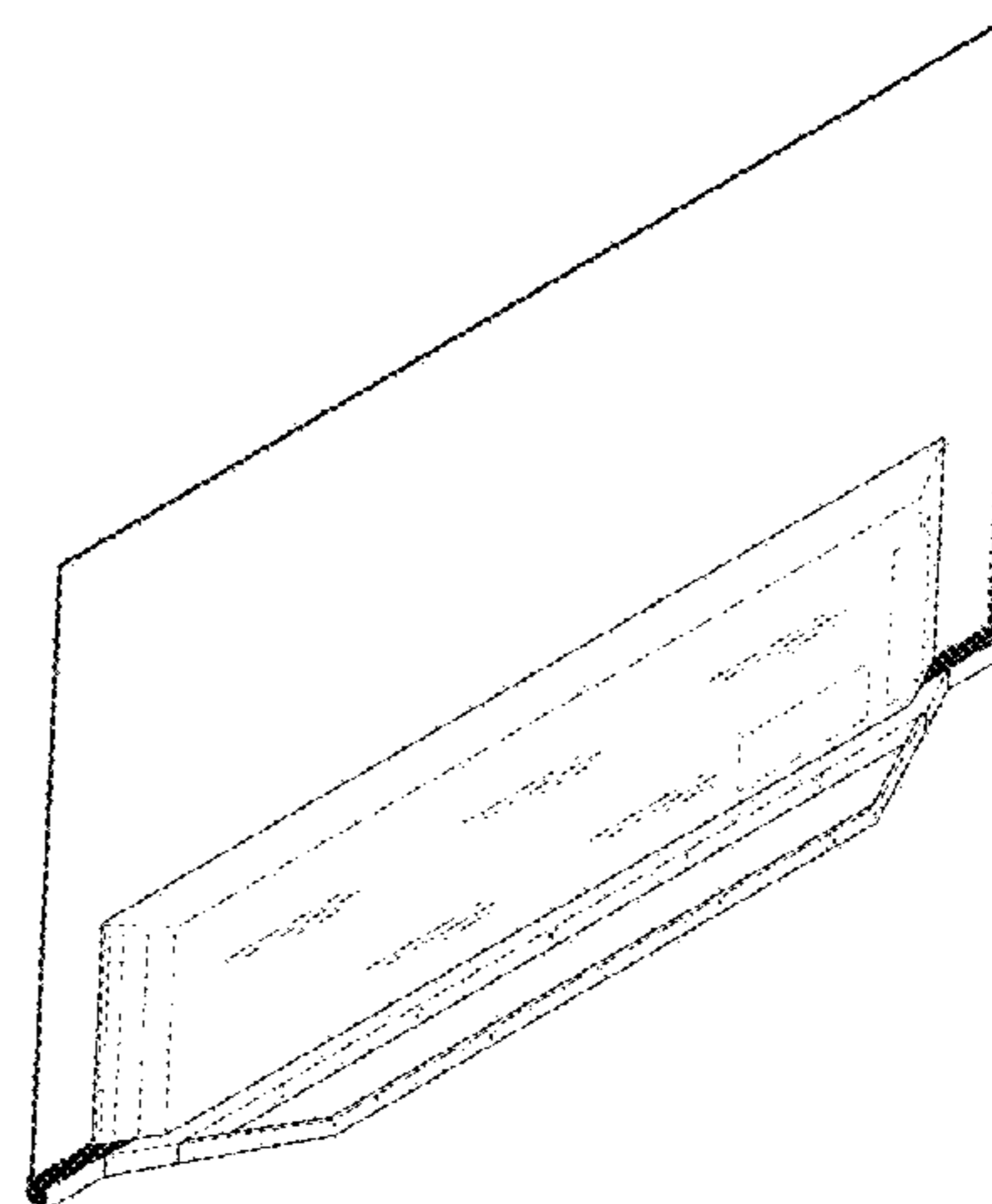
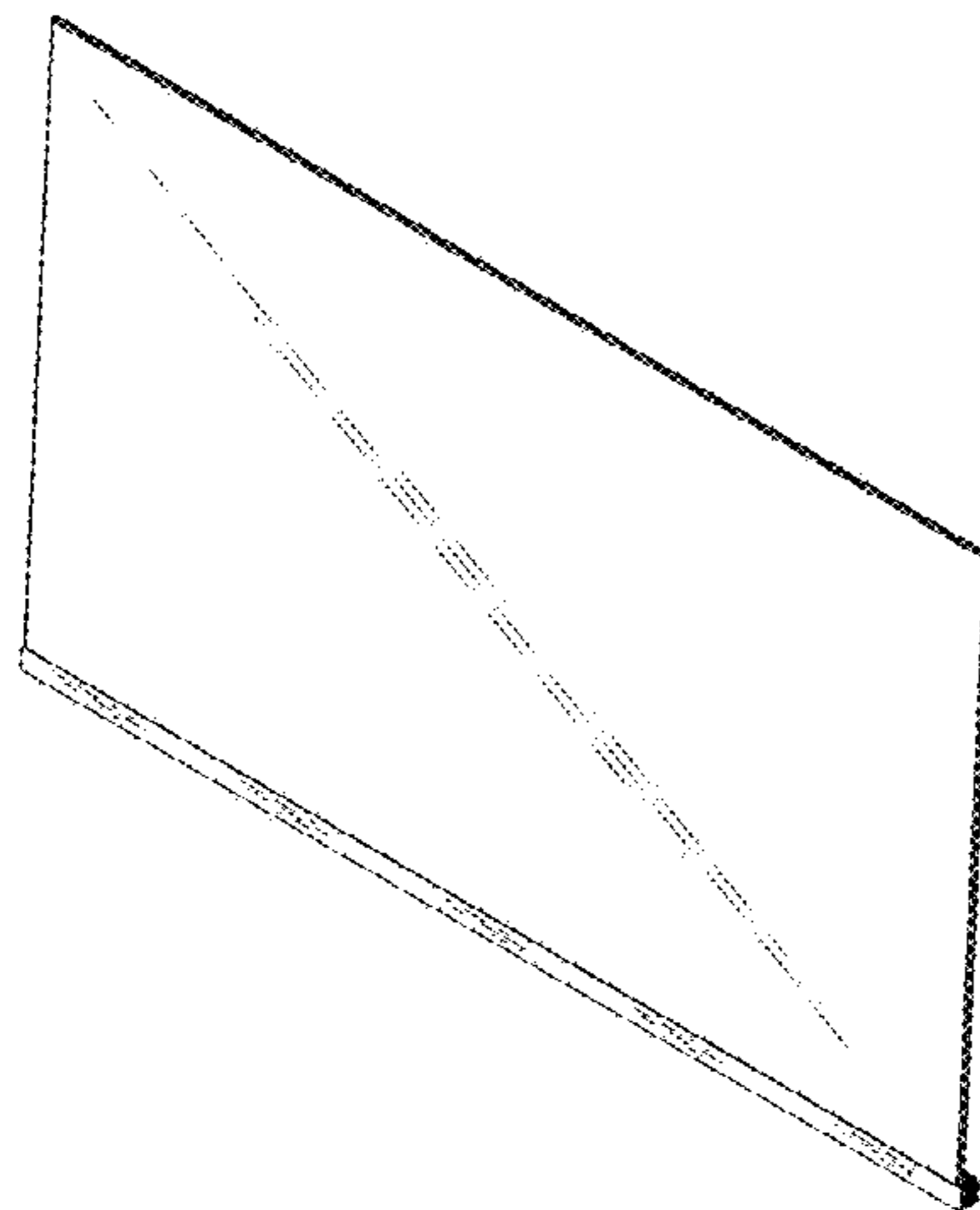
H04N 5/64

See application file for complete search history.

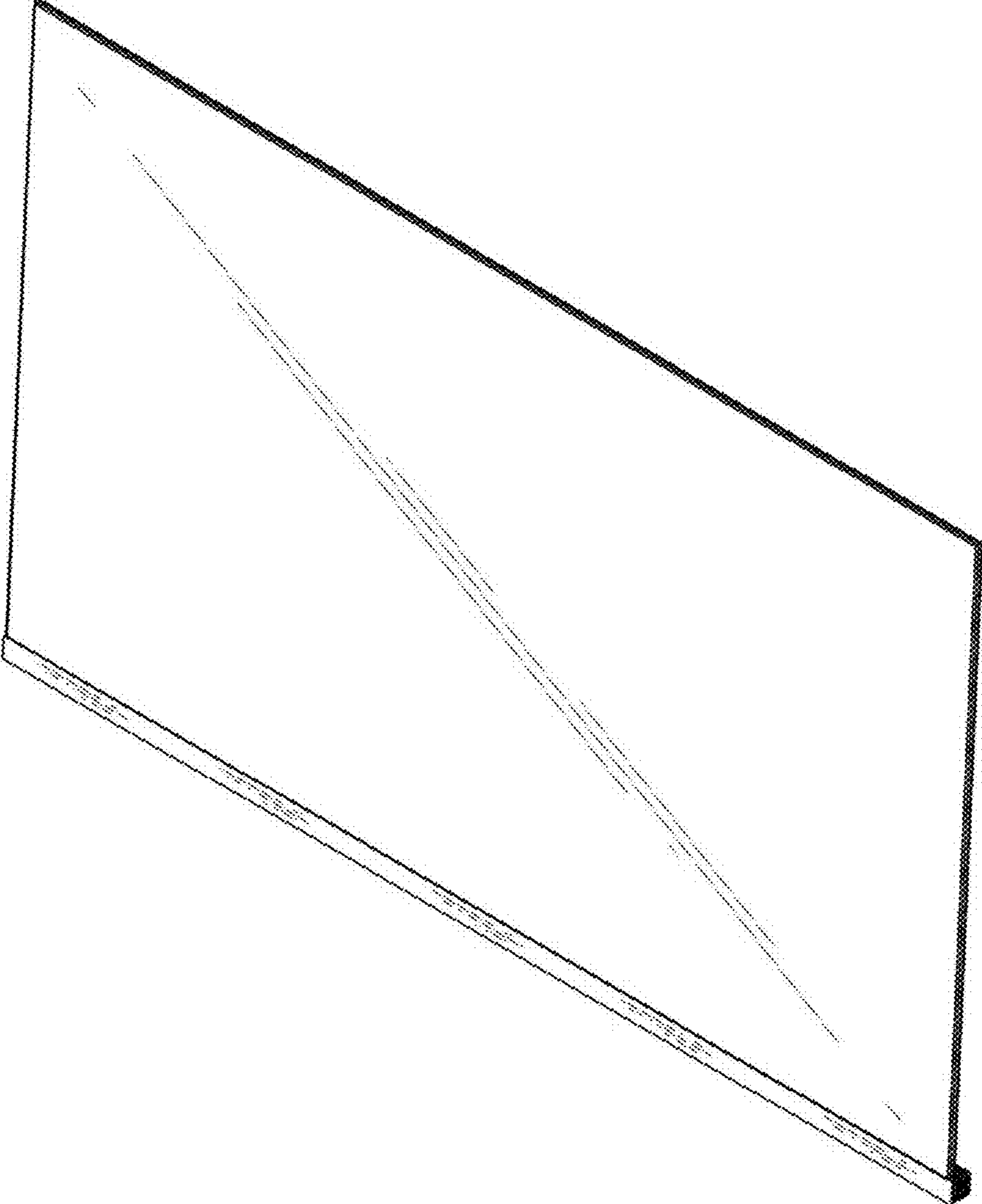
- 1. Television receiver
- 1.1 : Perspective
- 1.2 : Rear perspective view
- 1.3 : Front
- 1.4 : Back
- 1.5 : Left
- 1.6 : Right
- 1.7 : Top
- 1.8 : Bottom
- 1.9 : Enlarged
- 1.10 : Enlarged

The broken lines shown in figures 1.2, 1.4 and 1.5 are for the purpose of illustrating portions of the television receiver that form no part of the claimed design.

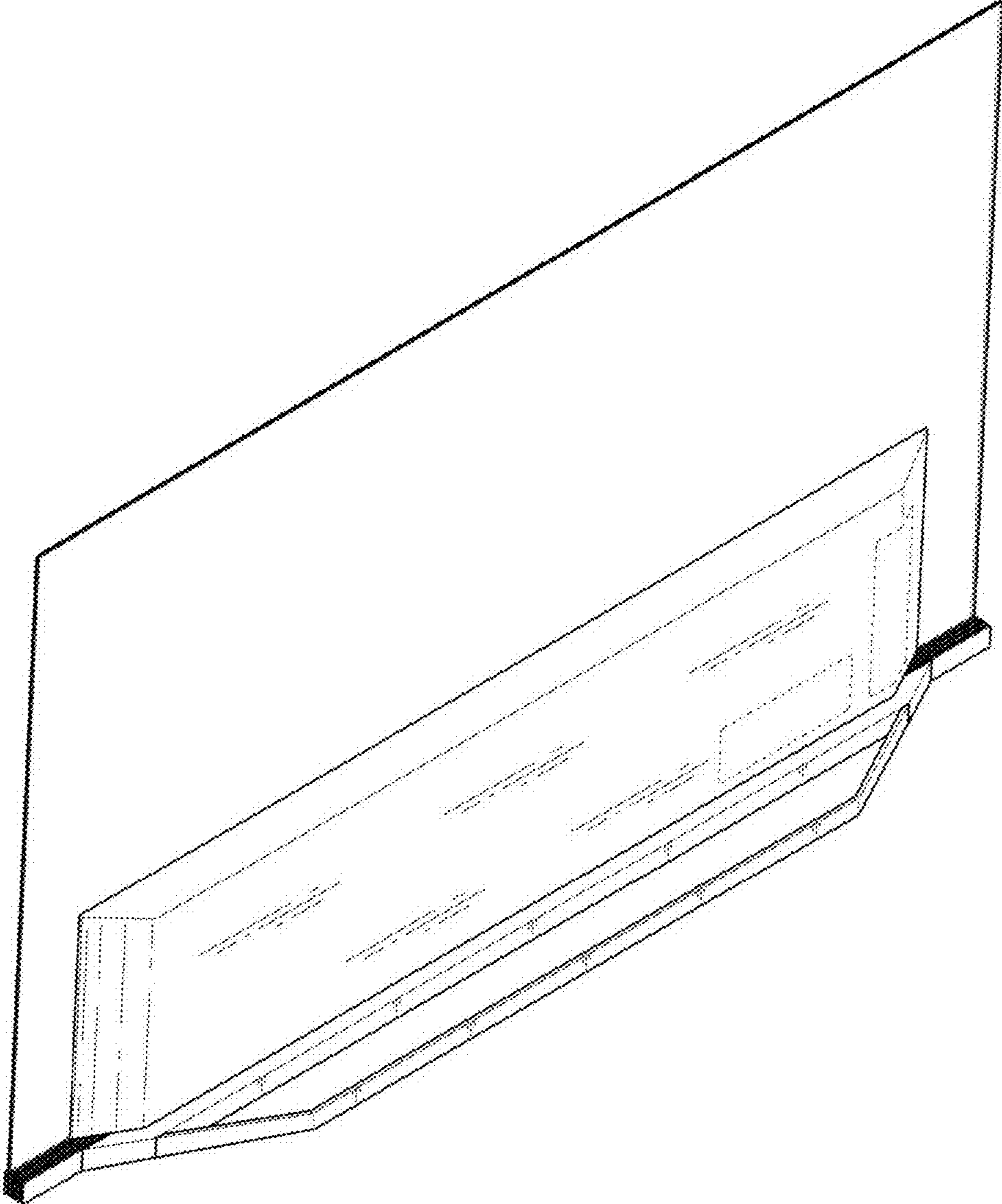
1 Claim, 10 Drawing Sheets



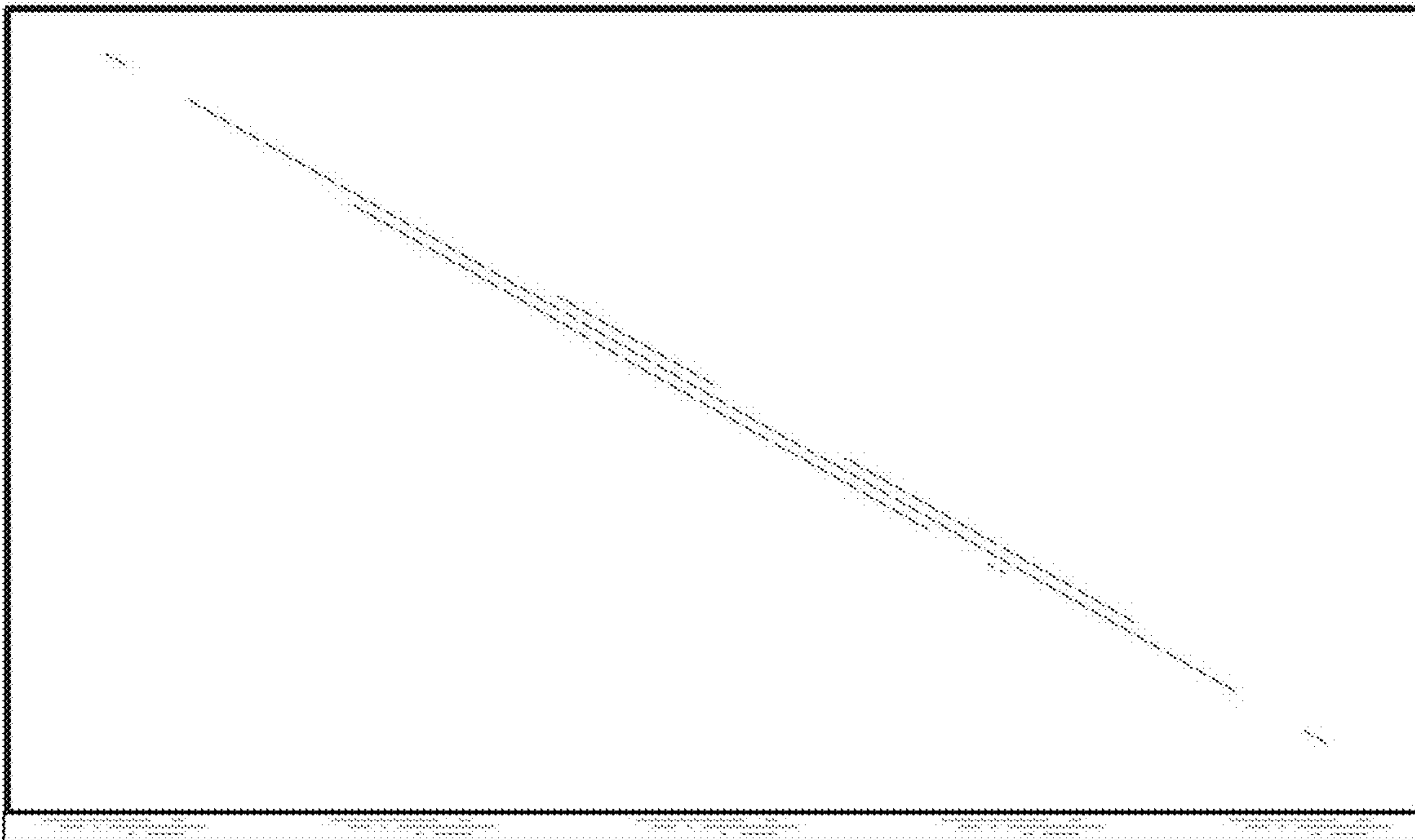
1.1



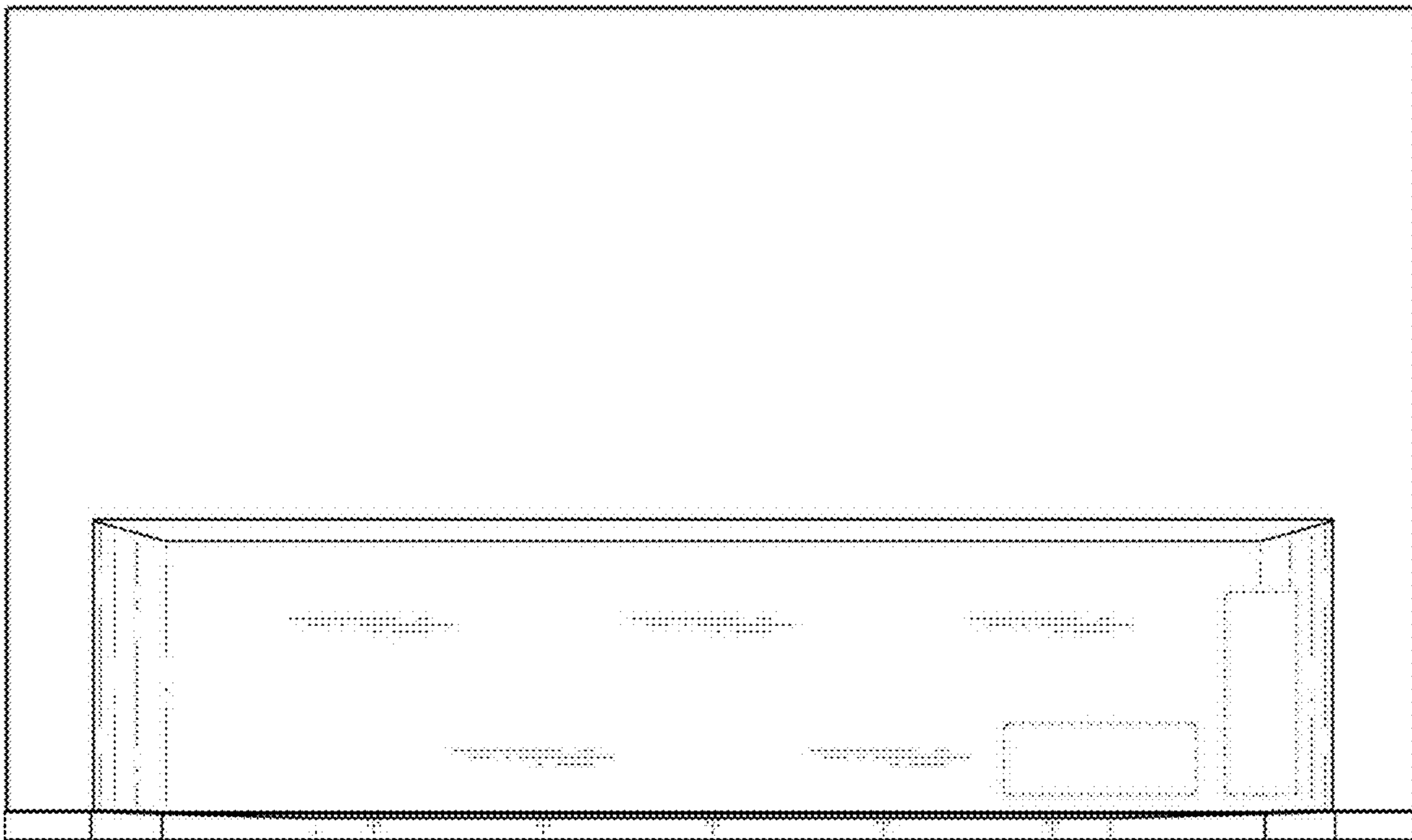
1.2



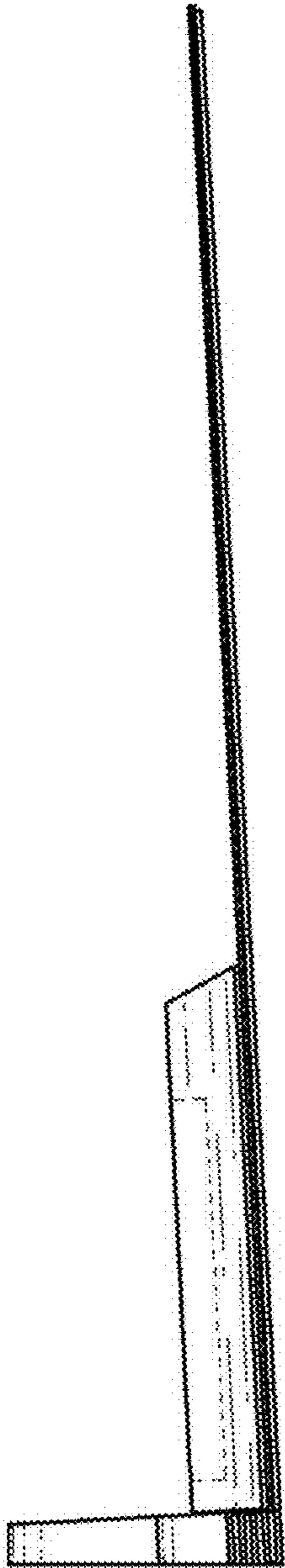
1.3



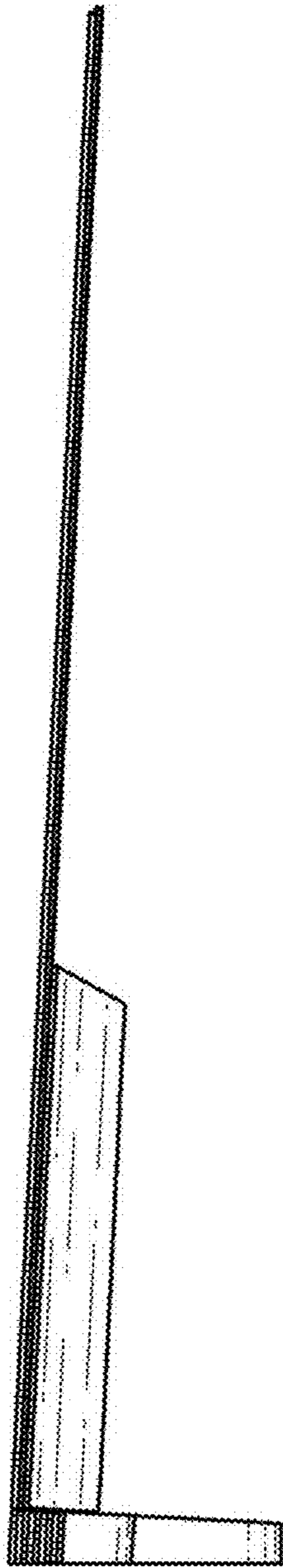
1.4



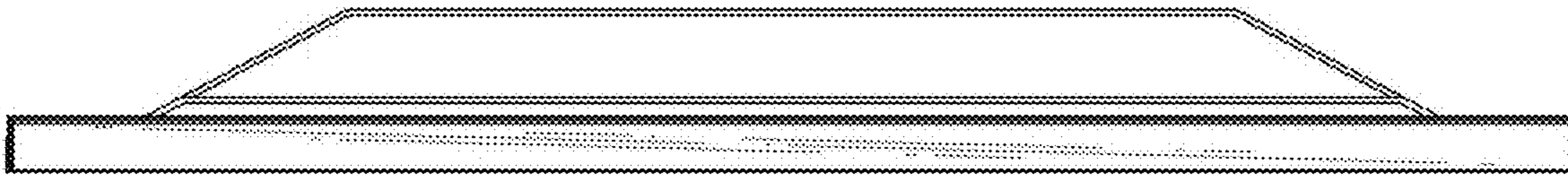
1.5



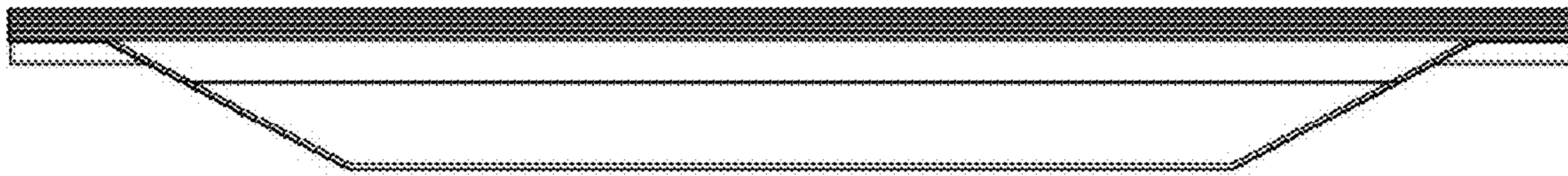
1.6



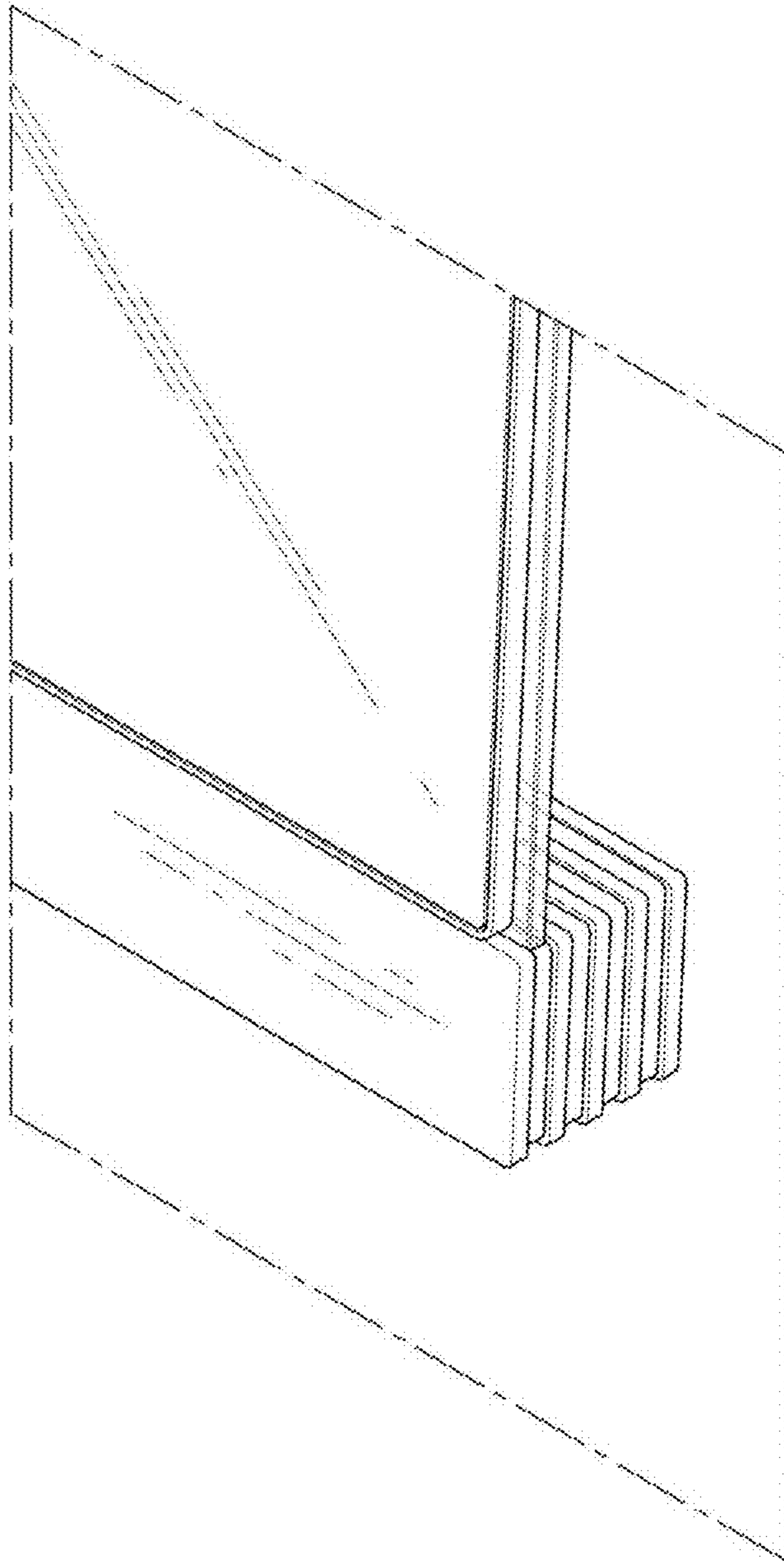
1.7



1.8



1.9



1.10

