



US00D836587S

(12) **United States Design Patent** (10) **Patent No.:** **US D836,587 S**
Cha et al. (45) **Date of Patent:** **** Dec. 25, 2018**

(54) **TV RECEIVER**

(56) **References Cited**

(71) Applicant: **LG ELECTRONICS INC.**, Seoul (KR)

U.S. PATENT DOCUMENTS

(72) Inventors: **Hyunbyung Cha**, Seoul (KR);
Yoonkyeong Lee, Seoul (KR);
Youngwon Jeong, Seoul (KR);
Byungmu Huh, Seoul (KR)

D660,815 S *	5/2012	Itou	D14/126
D666,165 S *	8/2012	Kim	D14/126
D675,175 S *	1/2013	Kim	D14/126
D691,102 S *	10/2013	Park	D14/126
D699,699 S *	2/2014	Park	D14/126
D725,616 S *	3/2015	Oh	D14/126
D746,243 S *	12/2015	Gao	D14/126
D758,983 S *	6/2016	Kim	D14/126
D763,213 S *	8/2016	Ann	D14/126
D796,463 S *	9/2017	So	D14/126
D796,465 S *	9/2017	Kim	D14/126
D808,353 S *	1/2018	Lee	D14/126

(73) Assignee: **LG ELECTRONICS INC.**, Seoul (KR)

(**) Term: **15 Years**

* cited by examiner

(21) Appl. No.: **35/503,187**

Primary Examiner — Michael A. Pratt

(22) Filed: **Dec. 12, 2016**

(74) *Attorney, Agent, or Firm* — Birch, Stewart, Kolasch & Birch, LLP

(80) **Hague Agreement Data**

(57) **CLAIM**

Int. Filing Date: **Dec. 12, 2016**

The ornamental design for a TV receiver, as shown and described.

Int. Reg. No.: **DM/093950**

Int. Reg. Date: **Dec. 12, 2016**

Int. Reg. Pub. Date: **Jun. 16, 2017**

DESCRIPTION

(30) **Foreign Application Priority Data**

Jun. 14, 2016 (KR) 30-2016-0028713

(51) **LOC (11) Cl.** **14-03**

(52) **U.S. Cl.**
USPC **D14/126**

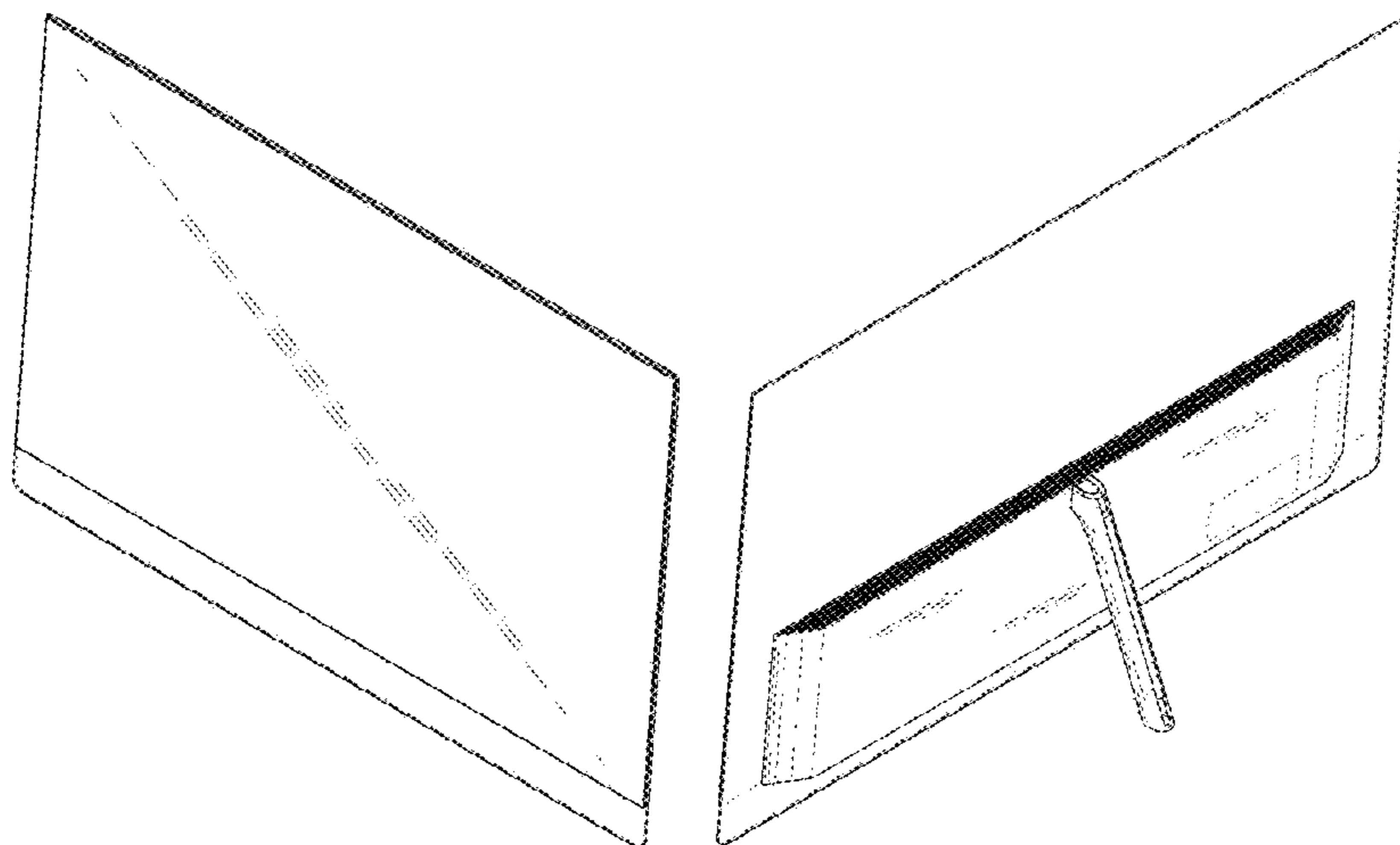
(58) **Field of Classification Search**
USPC D14/126, 127, 128, 336, 448
CPC .. H05K 5/0017; H05K 5/0204; G06F 1/1692;
G06F 1/165; G06F 1/1601; G06F 1/1637;
H04N 5/64

- 1. TV receiver
- 1.1 : Perspective
- 1.2 : Rear perspective
- 1.3 : Front
- 1.4 : Back
- 1.5 : Left
- 1.6 : Right
- 1.7 : Top
- 1.8 : Bottom
- 1.9 : Enlarged
- 1.10 : Enlarged

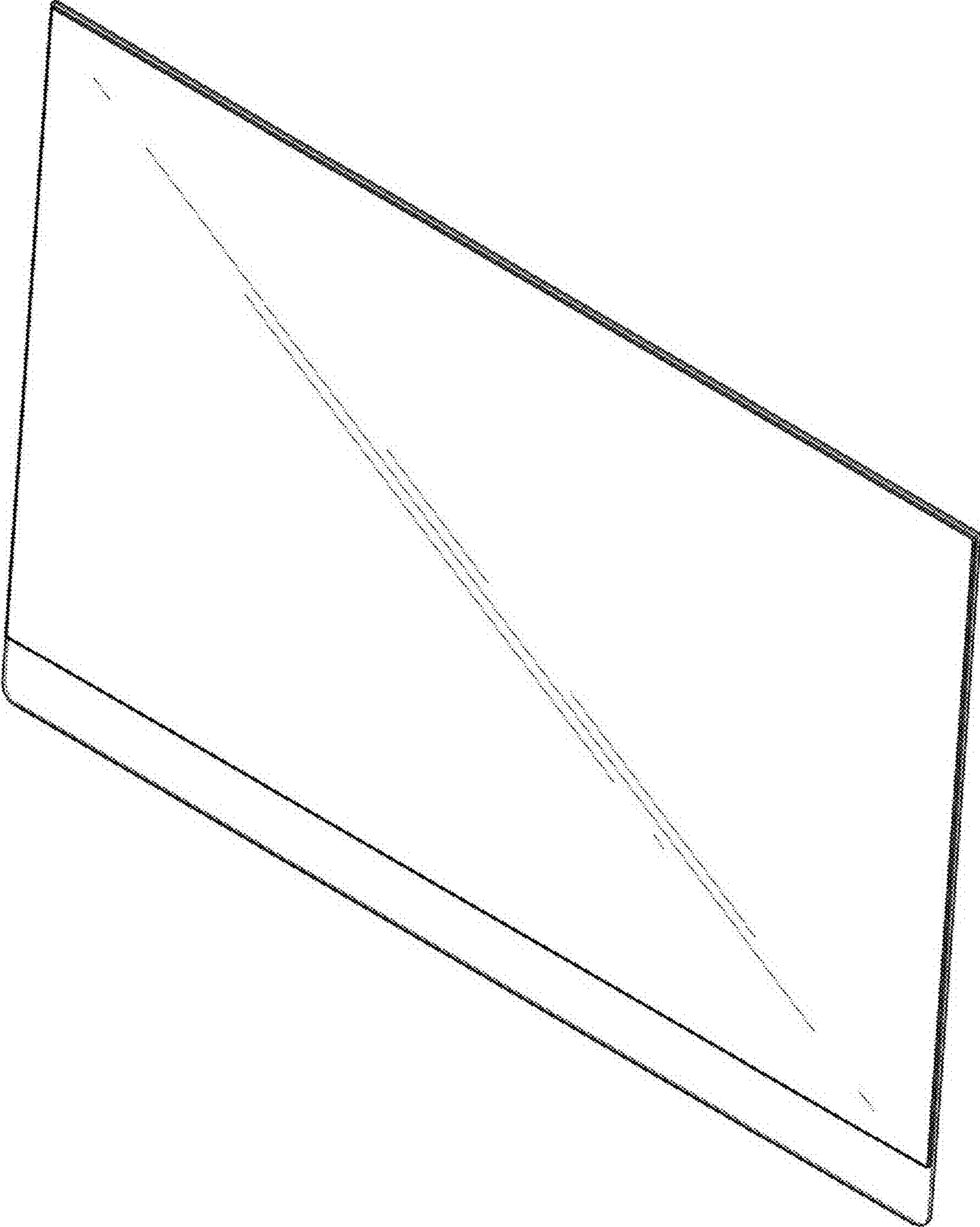
The broken lines shown in Figures 1.2, 1.4 and 1.5 are for the purpose of illustrating portions of the TV receiver that form no part of the claimed design.

See application file for complete search history.

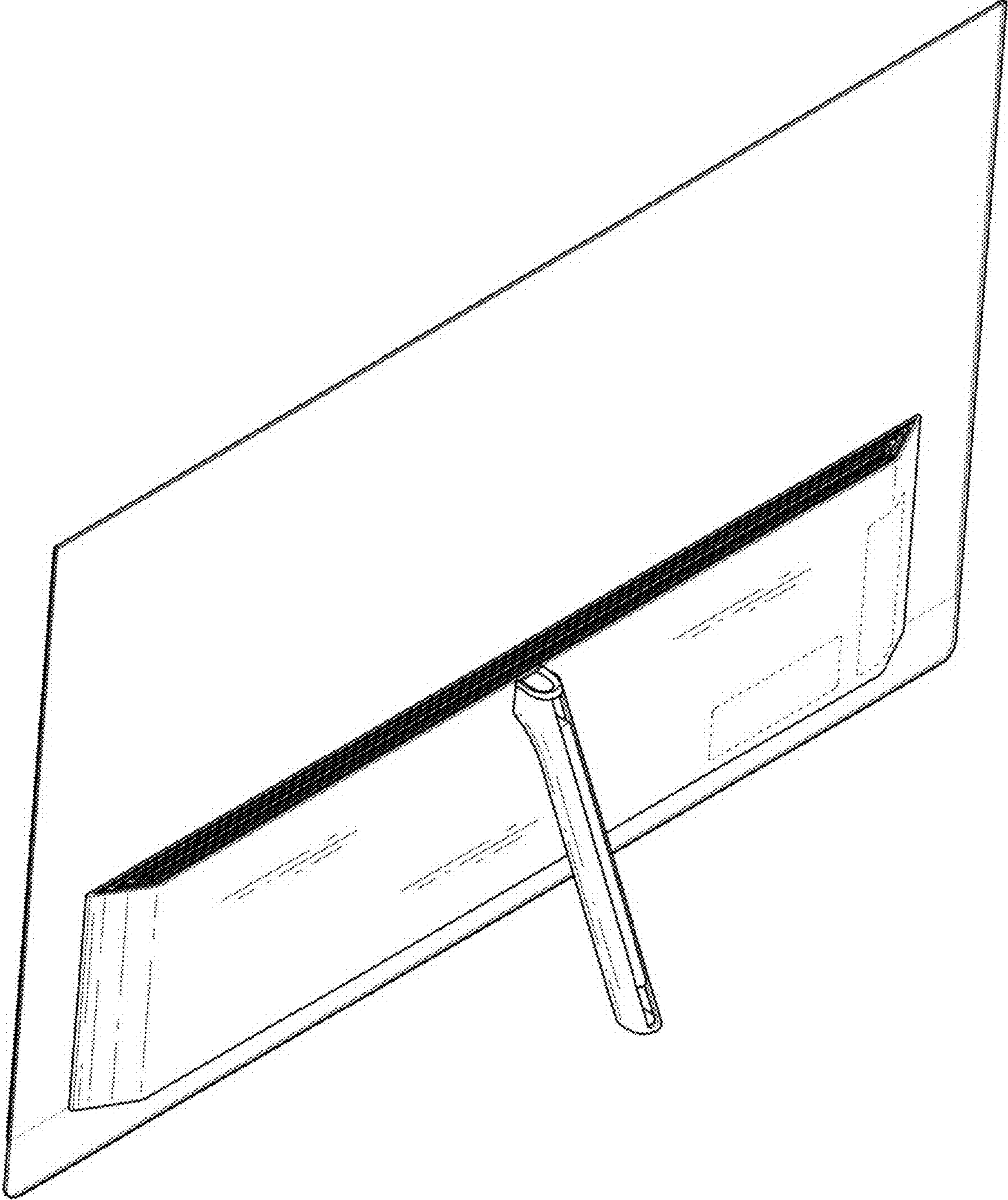
1 Claim, 10 Drawing Sheets



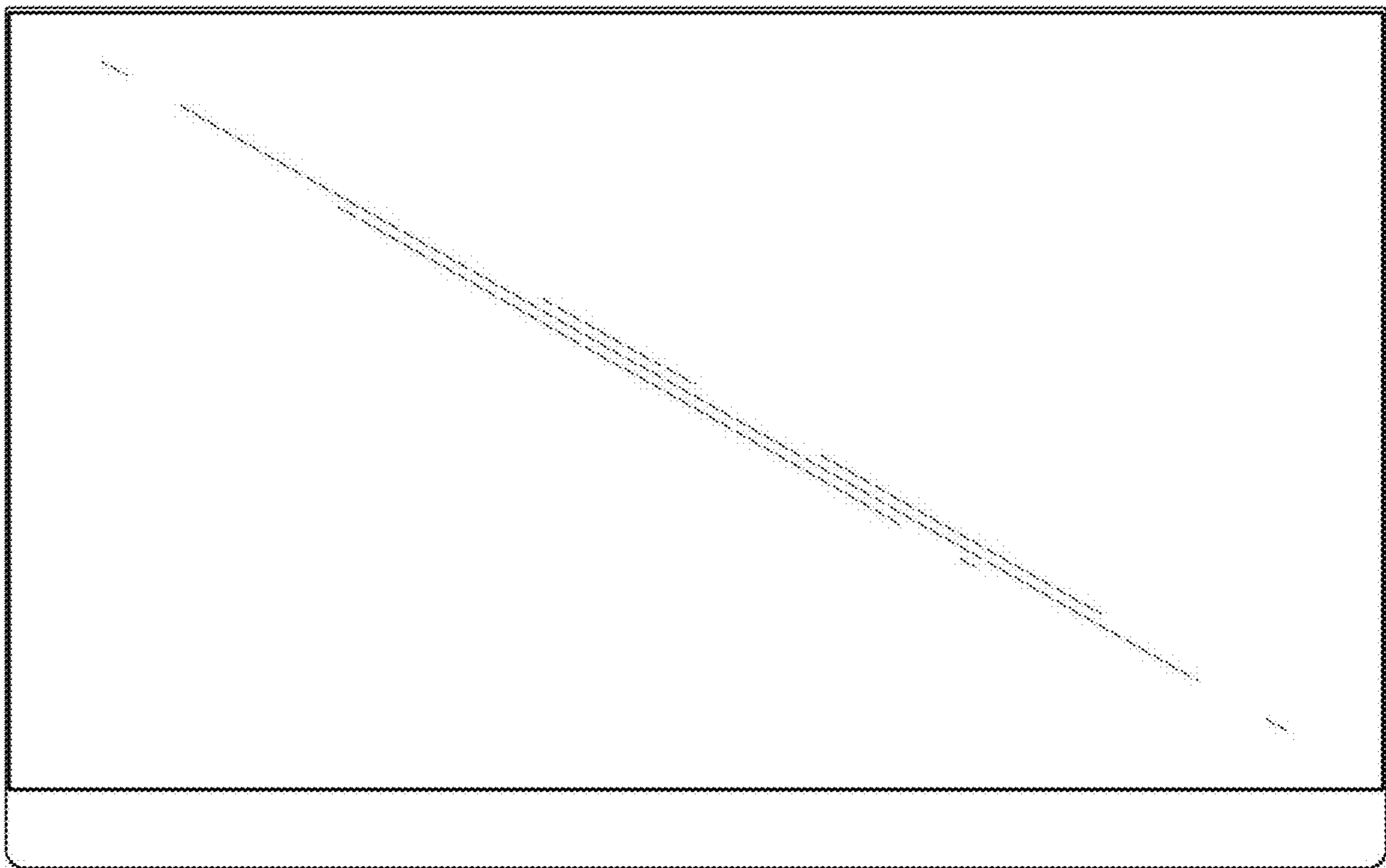
1.1



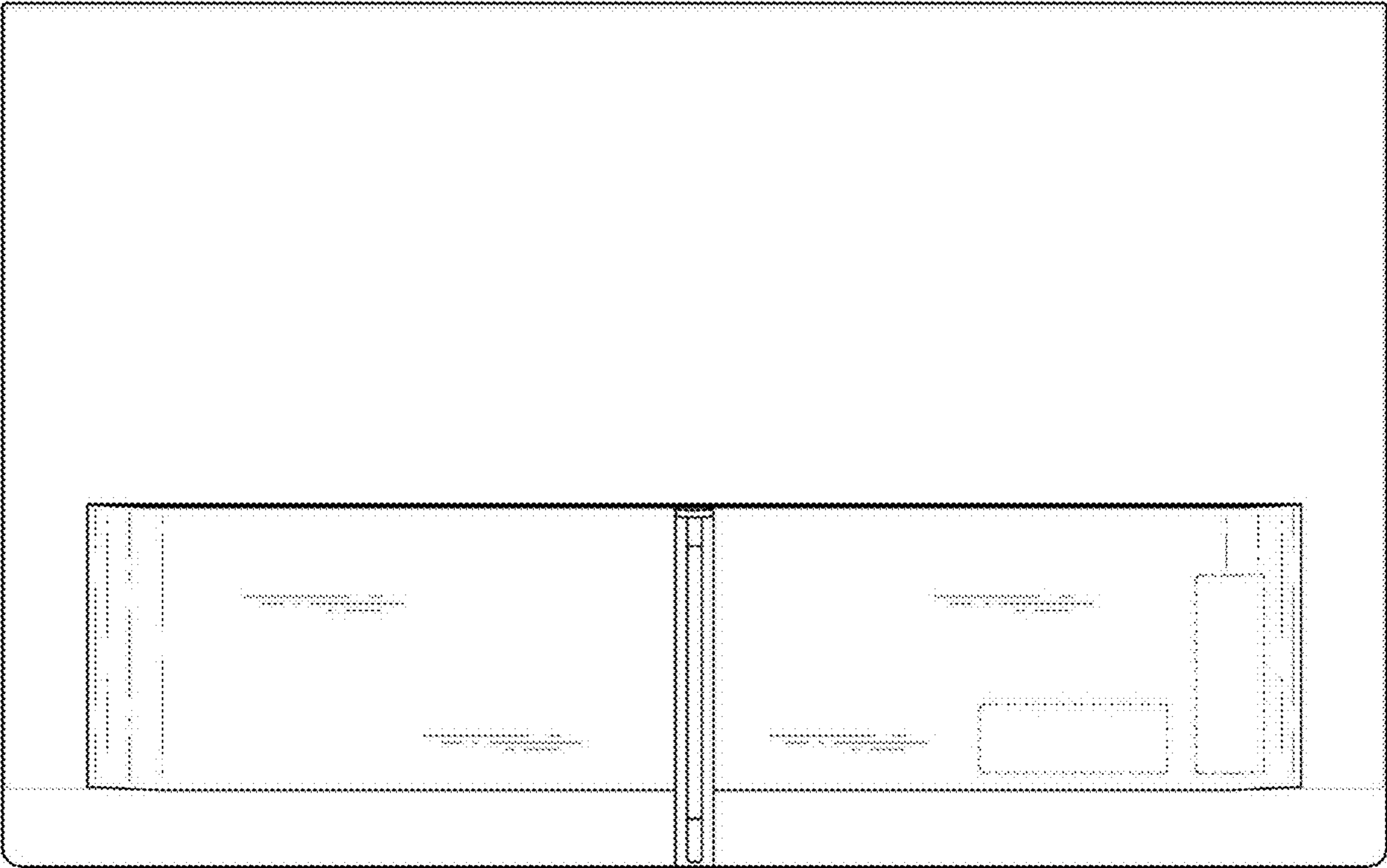
1.2



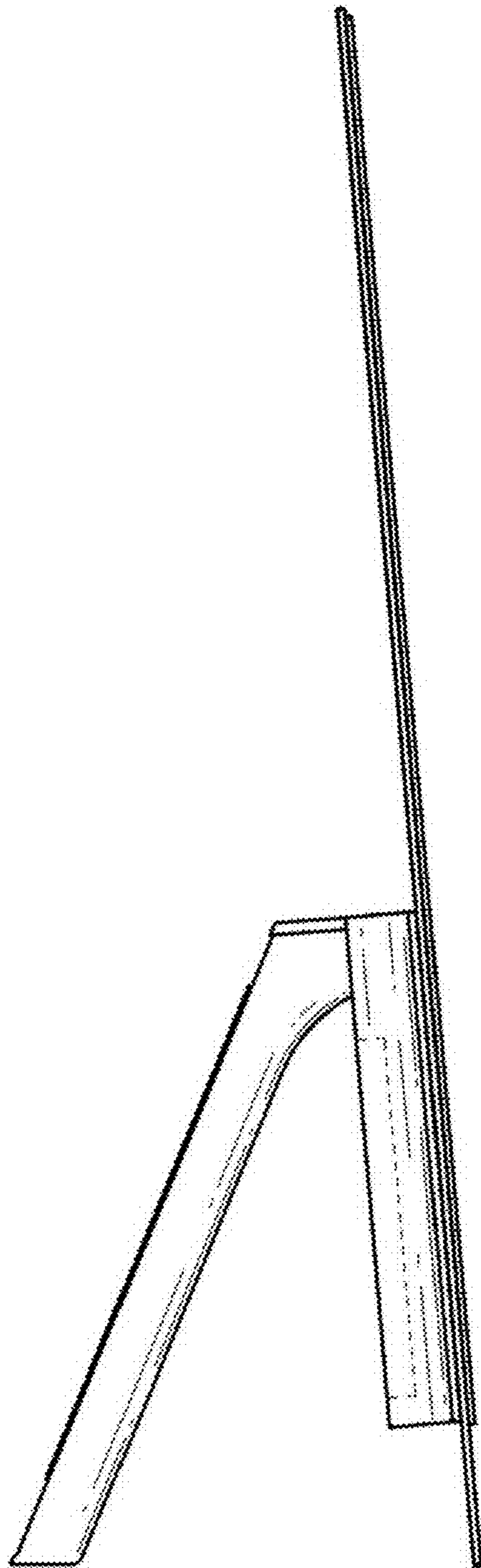
1.3



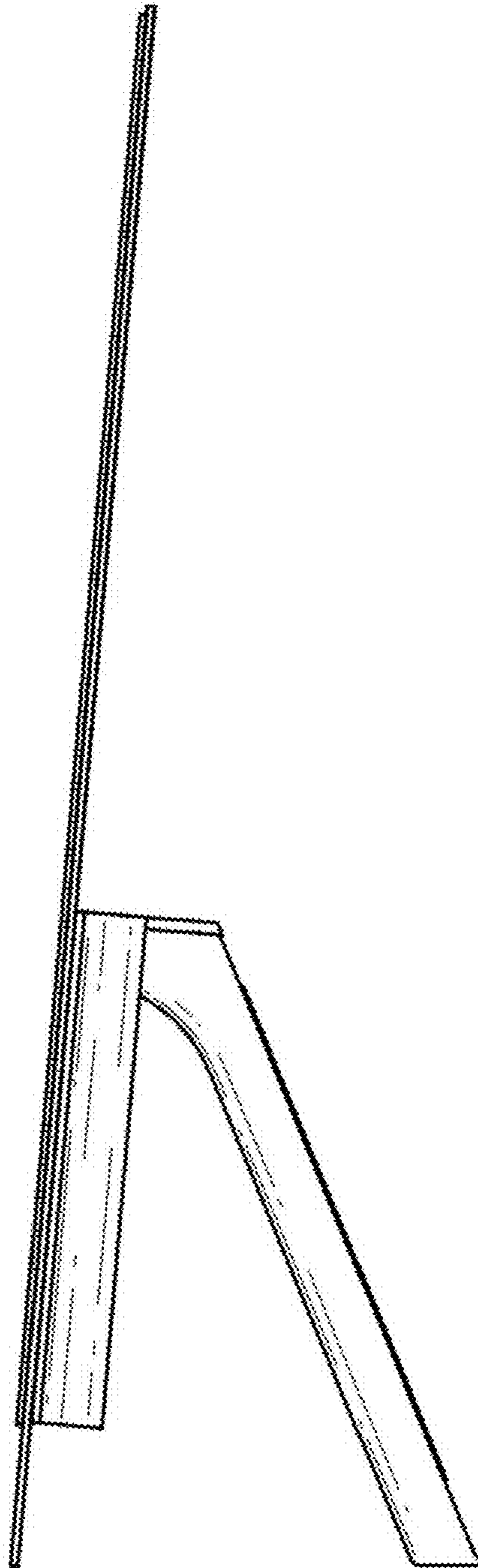
1.4



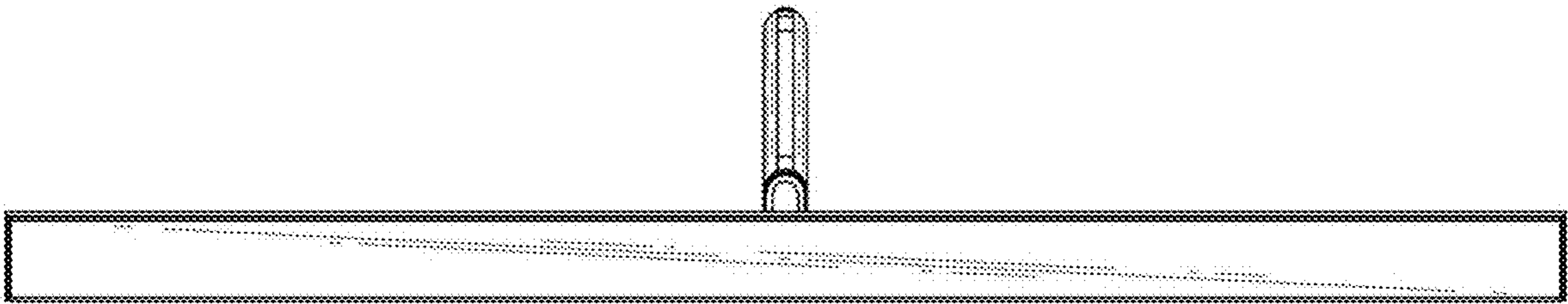
1.5



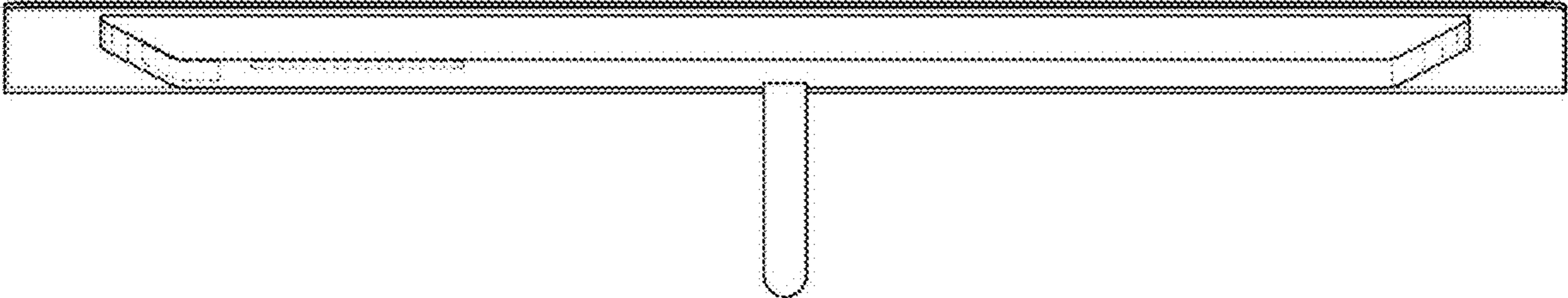
1.6



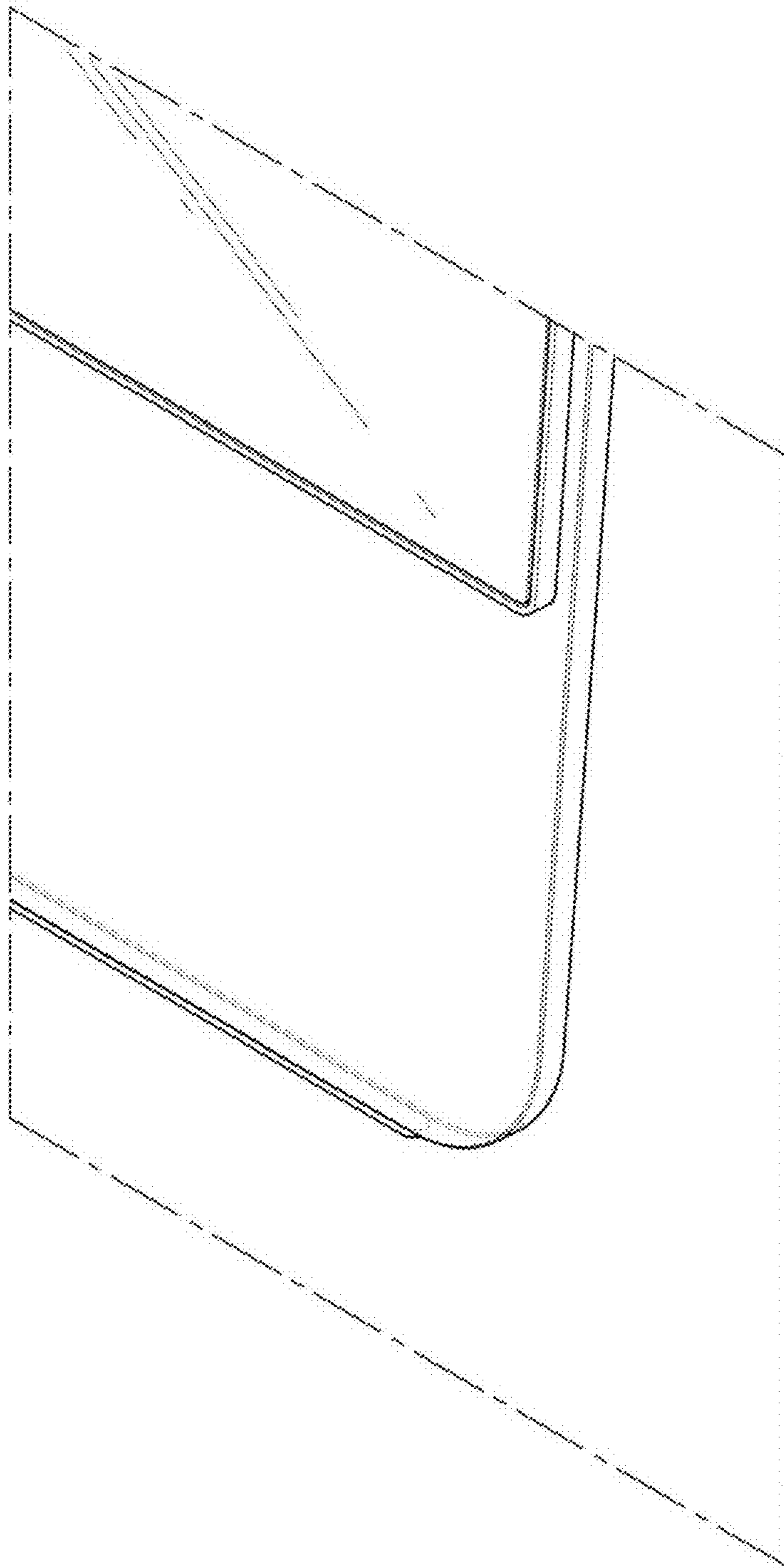
1.7



1.8



1.9



1.10

