



US00D836586S

(12) **United States Design Patent** (10) **Patent No.:** **US D836,586 S**
Cha et al. (45) **Date of Patent:** **** Dec. 25, 2018**

(54) **TV RECEIVER**

(56) **References Cited**

(71) Applicant: **LG ELECTRONICS INC.**, Seoul (KR)

U.S. PATENT DOCUMENTS

(72) Inventors: **Hyunbyung Cha**, Seoul (KR);
Yoonkyeong Lee, Seoul (KR);
Youngwon Jeong, Seoul (KR);
Byungmu Huh, Seoul (KR)

D637,573 S *	5/2011	Lee	D14/126
D648,294 S *	11/2011	Kim	D14/126
D658,140 S *	4/2012	Hwangbo	D14/126
D661,269 S *	6/2012	Lee	D14/126
D681,575 S *	5/2013	Lee	D14/126
D735,152 S *	7/2015	Cha	D14/126
D736,729 S *	8/2015	Hwang	D14/126
D741,829 S *	10/2015	McManigal	D14/126
D746,243 S *	12/2015	Gao	D14/126
D754,621 S *	4/2016	Dai	D14/126

(73) Assignee: **LG ELECTRONICS INC.**, Seoul (KR)

* cited by examiner

(**) Term: **15 Years**

Primary Examiner — Michael A. Pratt

(21) Appl. No.: **35/503,169**

(74) *Attorney, Agent, or Firm* — Birch, Stewart, Kolasch & Birch, LLP

(22) Filed: **Dec. 12, 2016**

(80) **Hague Agreement Data**

(57) **CLAIM**

Int. Filing Date: **Dec. 12, 2016**

The ornamental design for a TV receiver, as shown and described.

Int. Reg. No.: **DM/093947**

Int. Reg. Date: **Dec. 12, 2016**

Int. Reg. Pub. Date: **Jun. 16, 2017**

DESCRIPTION

(30) **Foreign Application Priority Data**

Jun. 14, 2016 (KR) 30-2016-0028716

(51) **LOC (11) Cl.** **14-03**

(52) **U.S. Cl.**
USPC **D14/126**

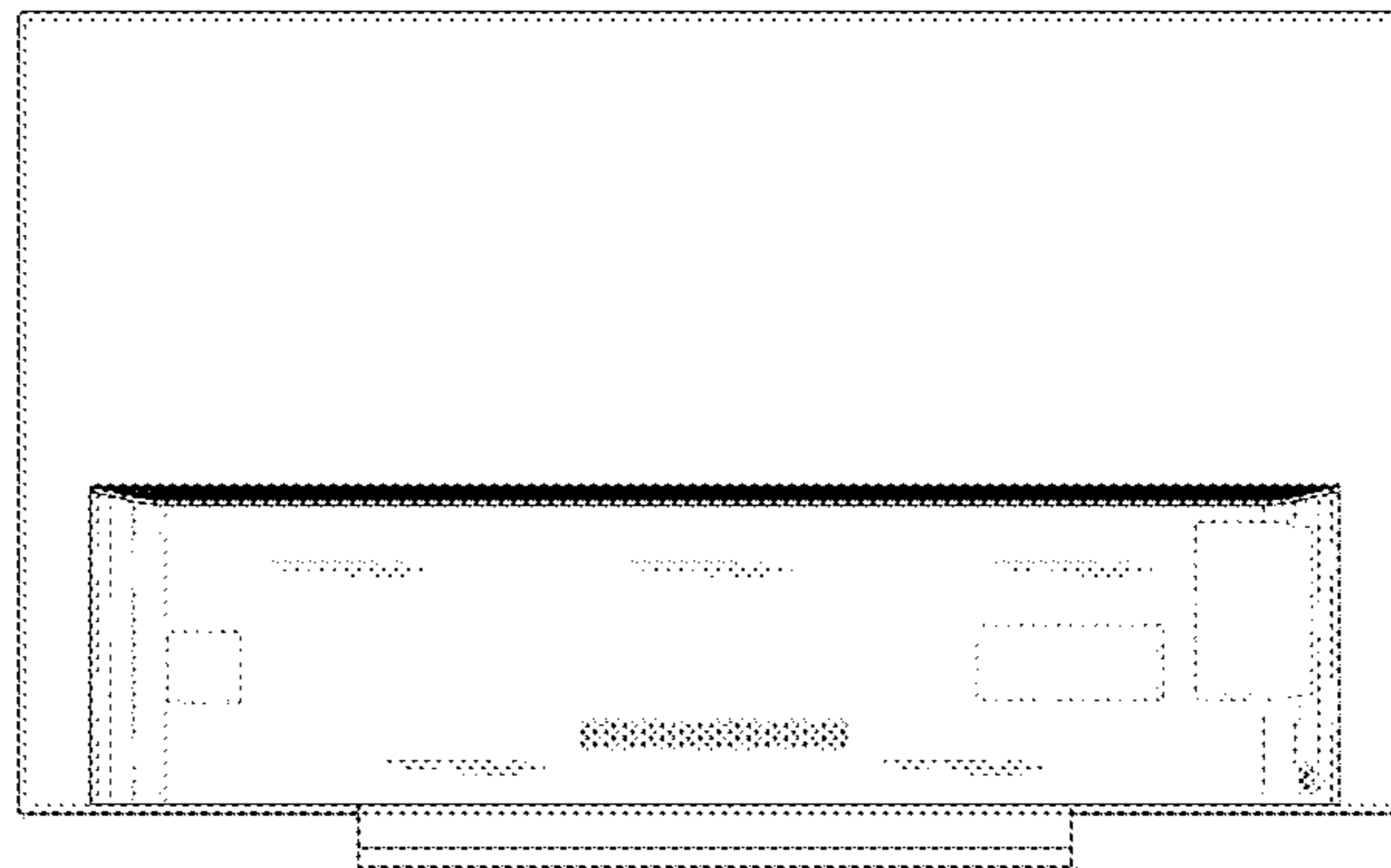
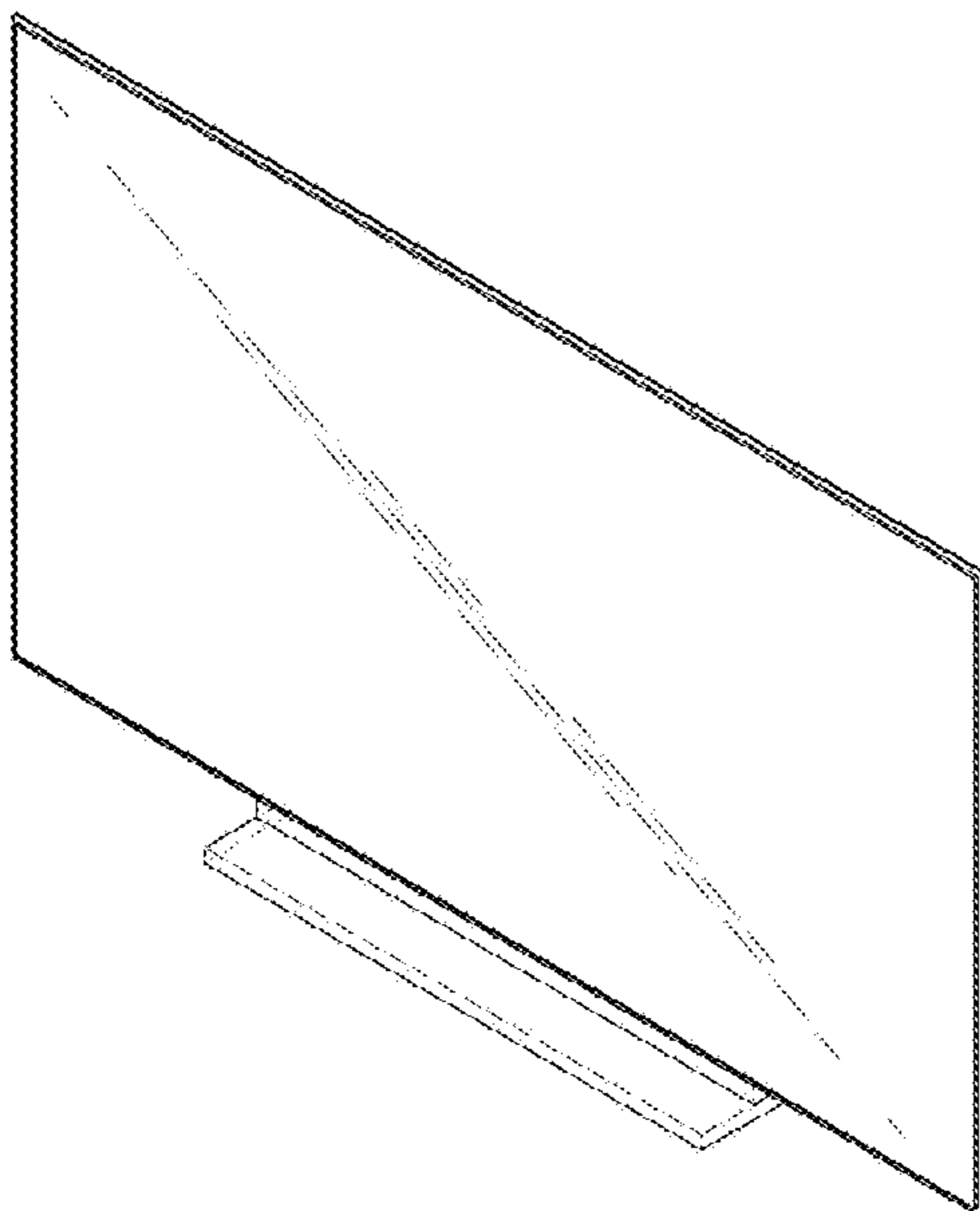
(58) **Field of Classification Search**
USPC D14/126, 127, 128, 336, 448
CPC .. H05K 5/0017; H05K 5/0204; G06F 1/1692;
G06F 1/165; G06F 1/1601; G06F 1/1637;
H04N 5/64

- 1. TV receiver
- 1.1 : Perspective
- 1.2 : Front
- 1.3 : Back
- 1.4 : Left
- 1.5 : Right
- 1.6 : Top
- 1.7 : Bottom
- 1.8 : Enlarged
- 1.9 : Enlarged

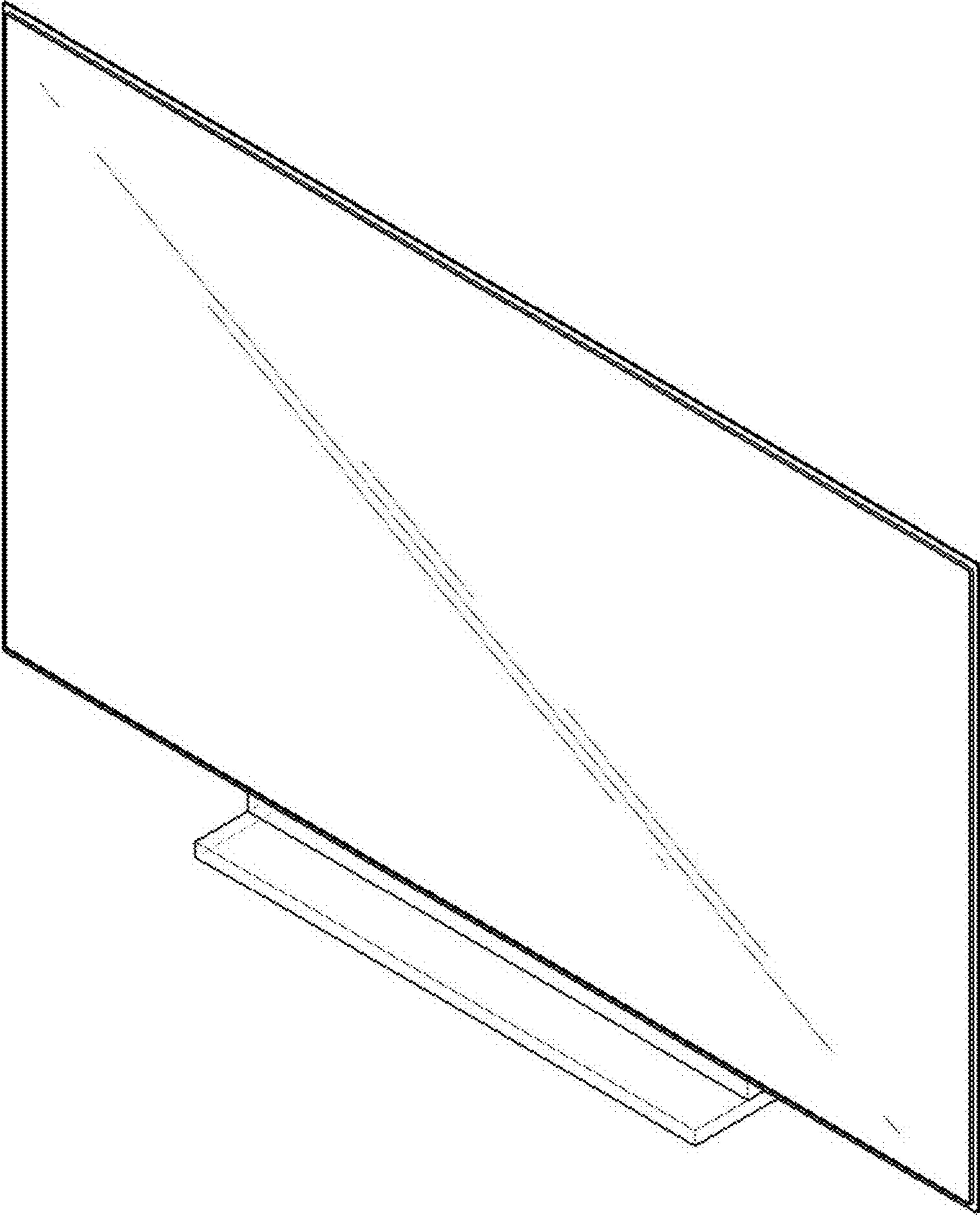
The broken lines shown in figures 1.3 and 1.4 are for the purpose of illustrating portions of the TV receiver that form no part of the claimed design.

See application file for complete search history.

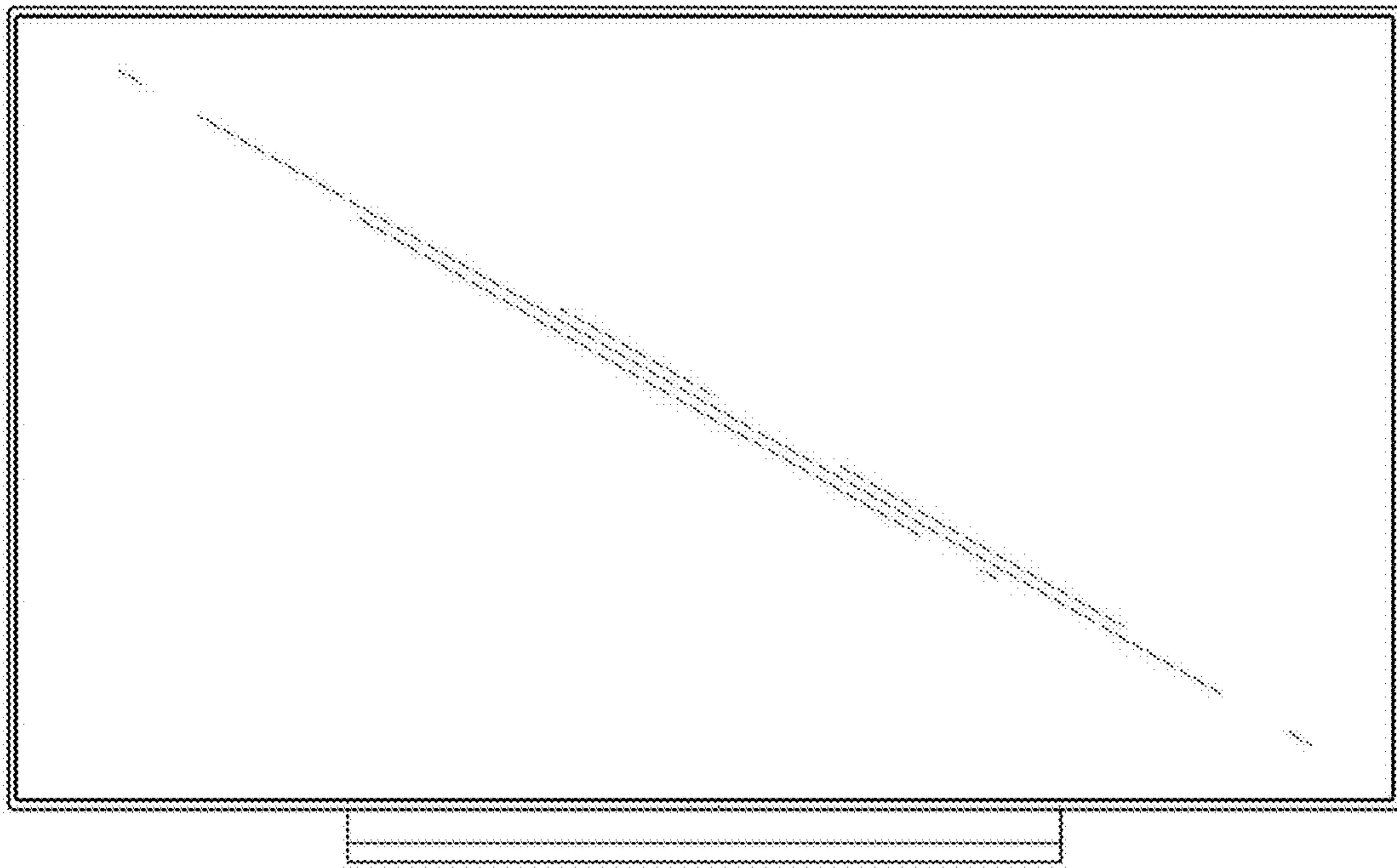
1 Claim, 9 Drawing Sheets



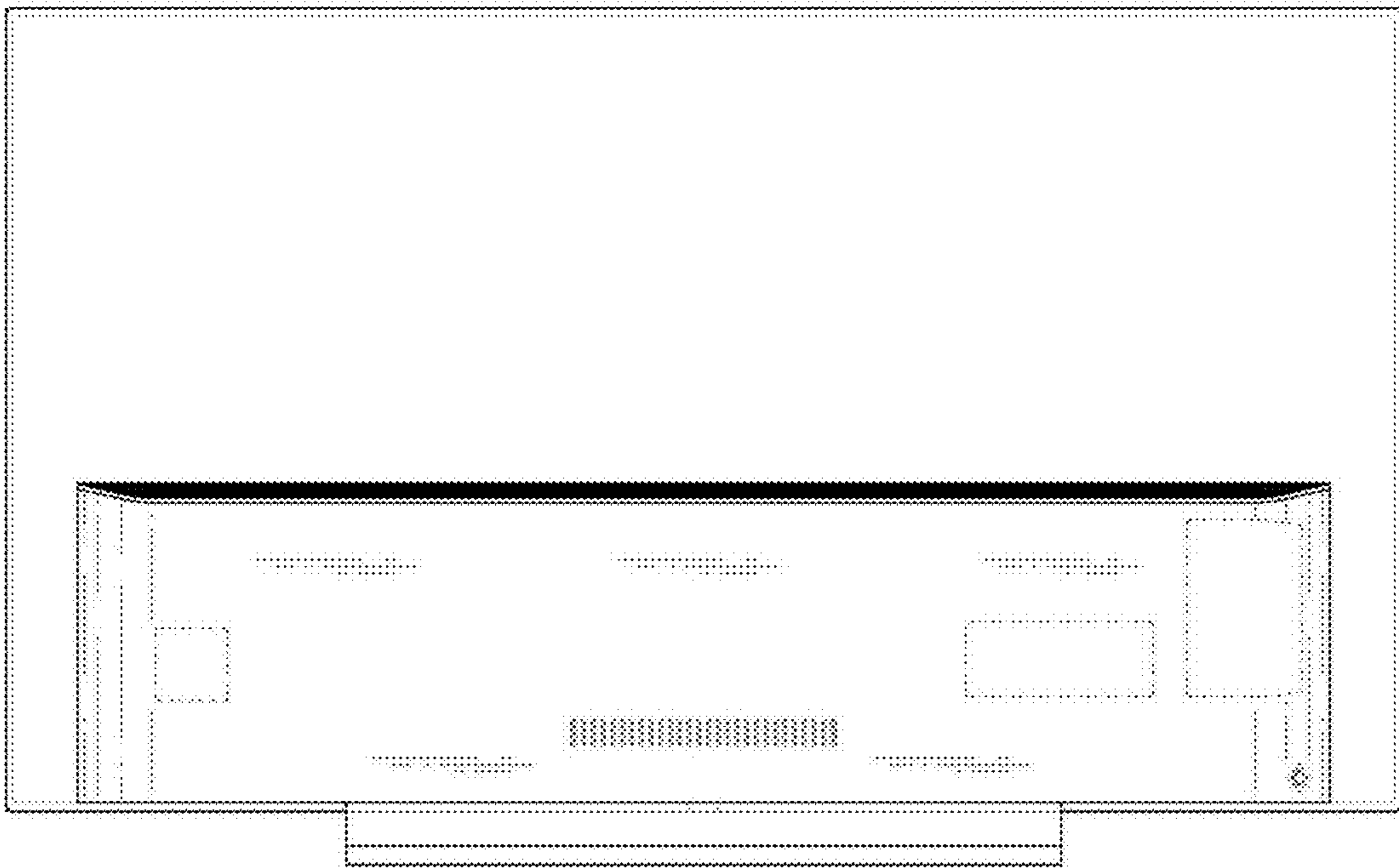
1.1



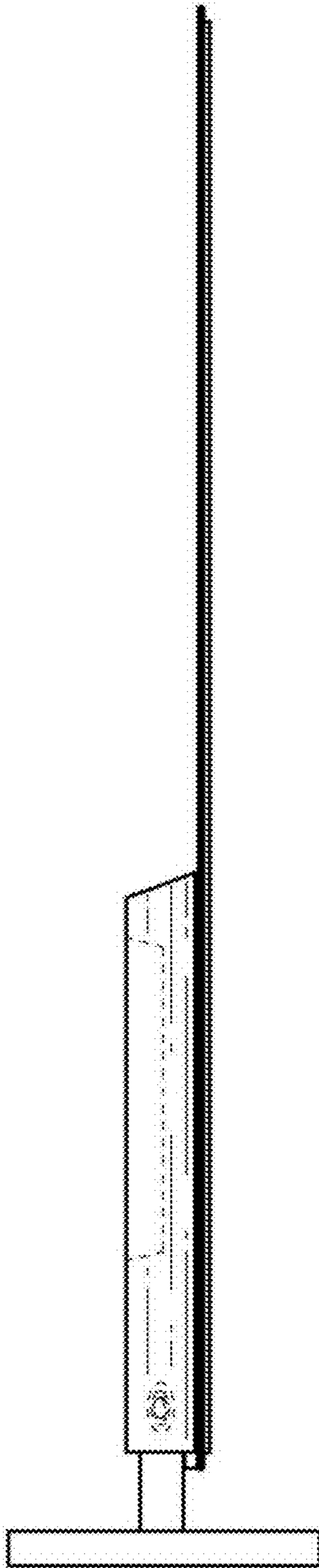
1.2

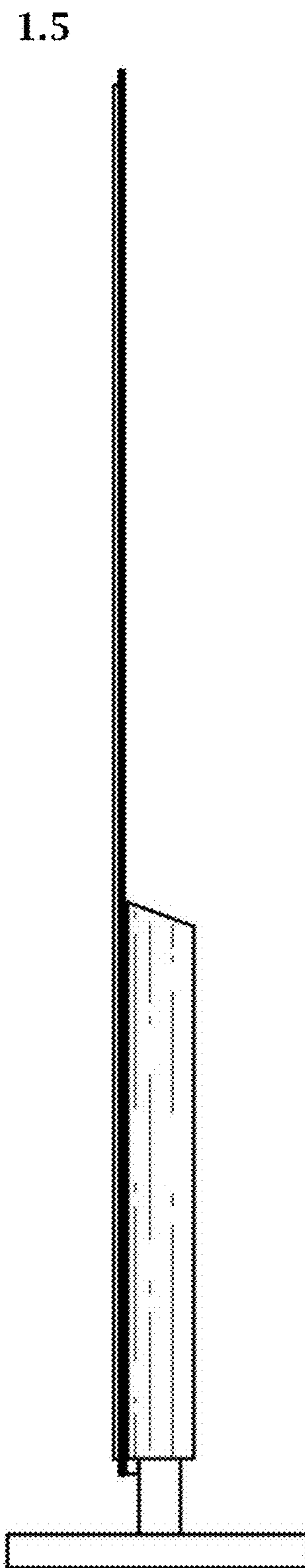


1.3

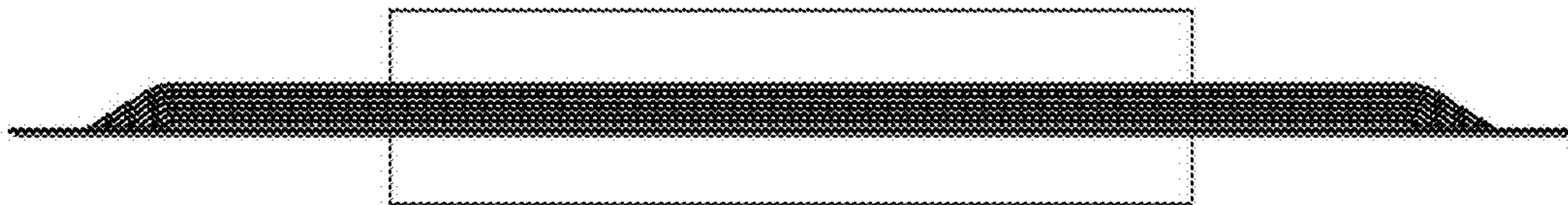


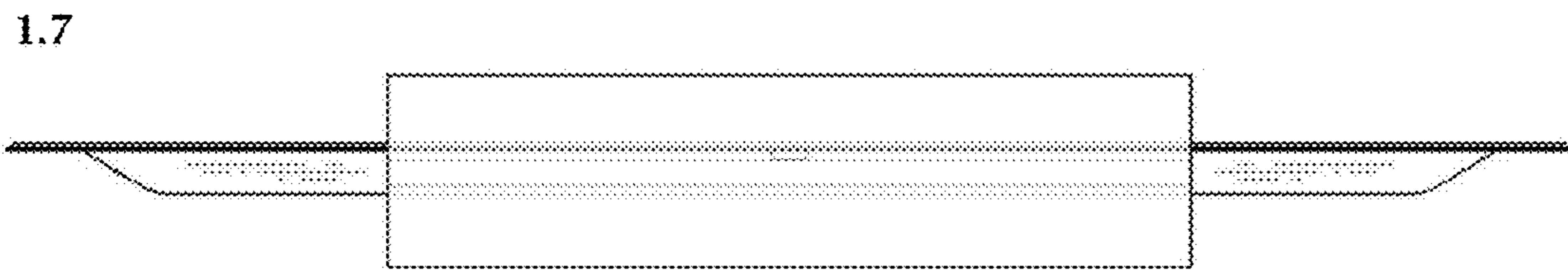
1.4

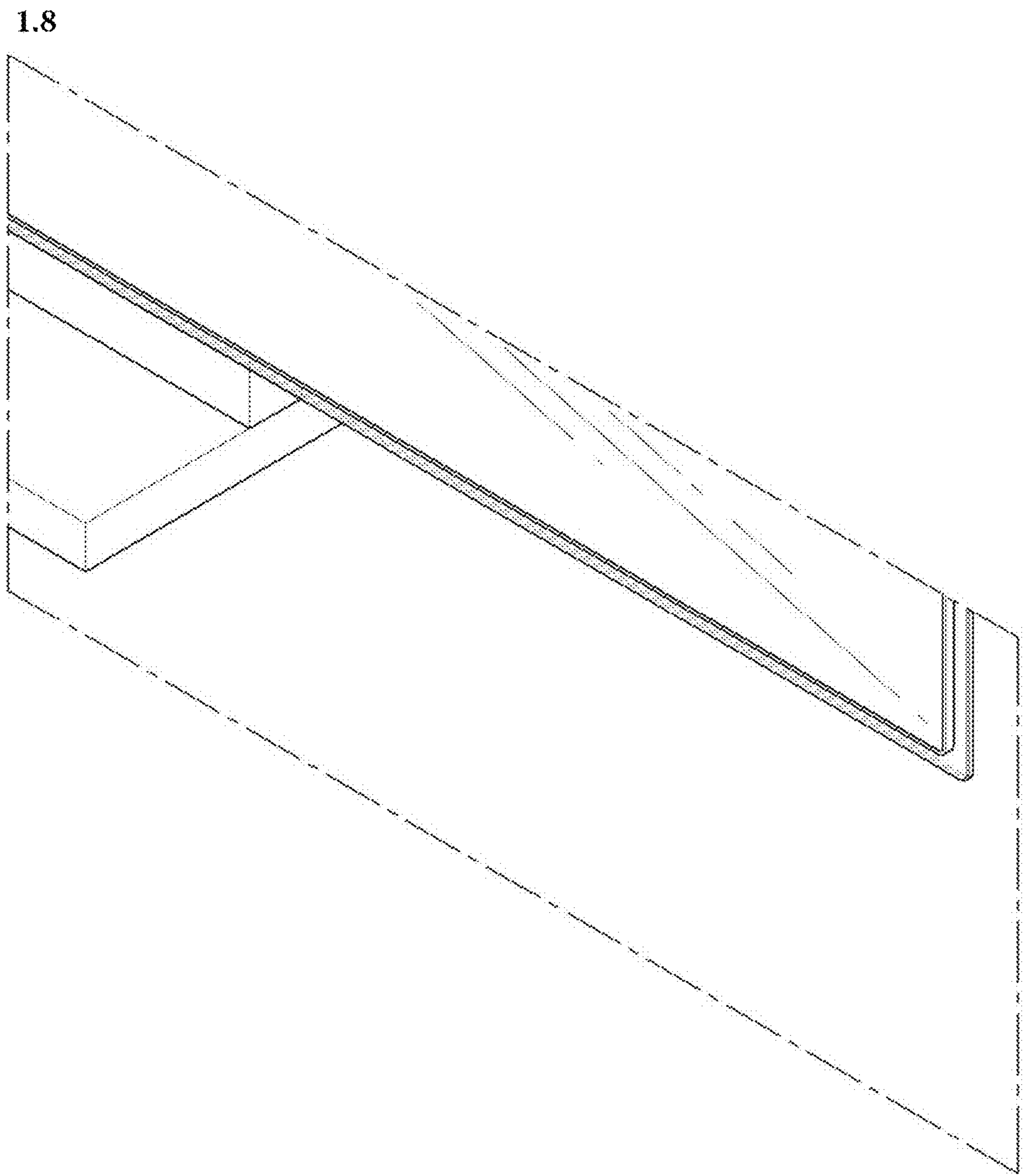




1.6







1.9

