



US00D836583S

(12) **United States Design Patent**
Cha et al.

(10) **Patent No.:** **US D836,583 S**

(45) **Date of Patent:** **** Dec. 25, 2018**

(54) **TV RECEIVER**

(71) Applicant: **LG ELECTRONICS INC.**, Seoul (KR)

(72) Inventors: **Hyunbyung Cha**, Seoul (KR);
Yoonkyeong Lee, Seoul (KR);
Youngwon Jeong, Seoul (KR);
Byungmu Huh, Seoul (KR)

(73) Assignee: **LG ELECTRONICS INC.**, Seoul (KR)

(**) Term: **15 Years**

(21) Appl. No.: **35/502,958**

(22) Filed: **Nov. 8, 2016**

(80) **Hague Agreement Data**

Int. Filing Date: **Nov. 8, 2016**

Int. Reg. No.: **DM/093421**

Int. Reg. Date: **Nov. 8, 2016**

Int. Reg. Pub. Date: **May 12, 2017**

(30) **Foreign Application Priority Data**

May 13, 2016 (KR) 30-2016-0022895

(51) **LOC (11) Cl.** **14-03**

(52) **U.S. Cl.**
USPC **D14/126**

(58) **Field of Classification Search**

USPC D14/125-134, 239, 336, 371, 373-377,
D14/379-380, 382, 447, 448, 450, 451,
D14/452; D21/329, 332, 515; D10/26

(Continued)

(56) **References Cited**

U.S. PATENT DOCUMENTS

D591,250 S * 4/2009 Yoshimura D14/126

D620,901 S * 8/2010 Won D14/126

(Continued)

OTHER PUBLICATIONS

55 Inch Tv Stand Dimensions, posted at Mwan, posting date Dec. 25, 2017. [online] [site visited Apr. 13, 2018]. Available from Internet. <URL: http://mwam.info/20171225080543_55-inch-tv-stand-dimensions/> (Year: 2017).*

(Continued)

Primary Examiner — George D. Kirschbaum

Assistant Examiner — Kathleen L Jones

(74) *Attorney, Agent, or Firm* — Birch, Stewart, Kolasch & Birch, LLP

(57) **CLAIM**

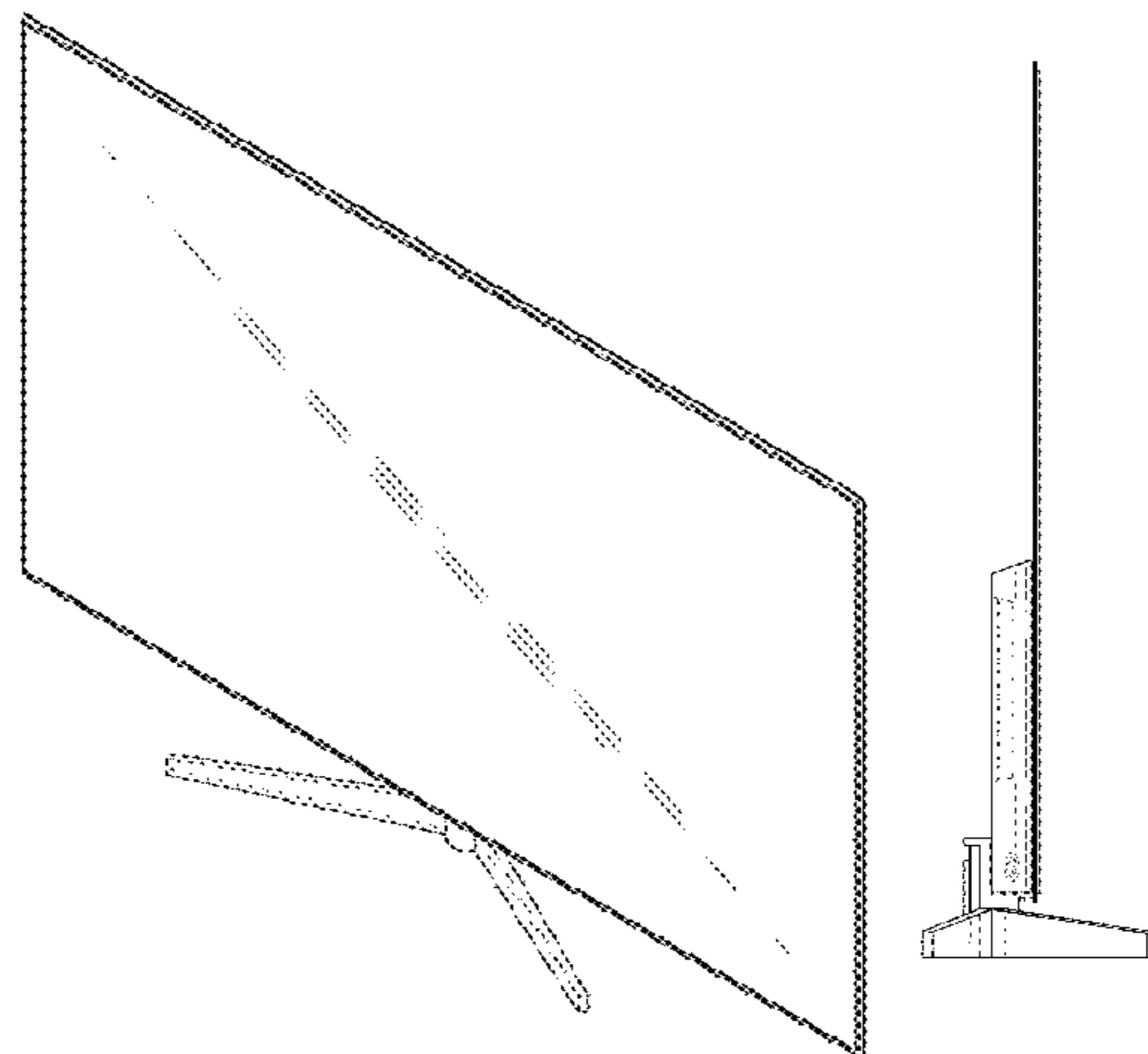
The ornamental design for a TV receiver, as shown and described.

DESCRIPTION

- 1. TV receiver
- 1.1 : Perspective
- 1.2 : Rear perspective
- 1.3 : Front
- 1.4 : Back
- 1.5 : Left
- 1.6 : Right
- 1.7 : Top
- 1.8 : Bottom
- 1.9 : Enlarged
- 1.10 : Enlarged
- 1.11 : Enlarged

The evenly-spaced broken lines in the figures, including the broken lines showing the panels, vent and circular button feature on the back of the TV receive and flat and protruding rectangular features on bottom of TV receiver are for the purpose of illustrating portions of the article and form no part of the claimed design. The dot-dash broken lines shown in FIGS. 1.9-1.11 are for the purpose of illustrating partially enlarged views only and form no part of the claimed design.

1 Claim, 10 Drawing Sheets



(58) **Field of Classification Search**
 CPC G06F 1/16; G06F 1/1601; G06F 1/1637;
 H04N 5/64; H05K 5/0017; H05K 5/0204;
 H05K 5/0217
 See application file for complete search history.

D723,483 S *	3/2015	Lee	D14/126
D726,666 S *	4/2015	Hwangbo	D14/126
D726,667 S *	4/2015	Kim	D14/126
D740,244 S *	10/2015	Han	D14/126
D783,556 S *	4/2017	Woo	D14/126

(56) **References Cited**

U.S. PATENT DOCUMENTS

D620,903 S *	8/2010	Song	D14/126
D620,904 S *	8/2010	Honda	D14/126
D656,913 S *	4/2012	Ann	D14/126
D659,663 S *	5/2012	Xu	D14/126
D661,267 S *	6/2012	Chen	D14/126
D664,940 S *	8/2012	Kim	D14/126
D669,870 S *	10/2012	Kim	D14/126
D680,508 S *	4/2013	Kim	D14/126
D682,227 S *	5/2013	Lee	D14/126
D718,728 S *	12/2014	Park	D14/126

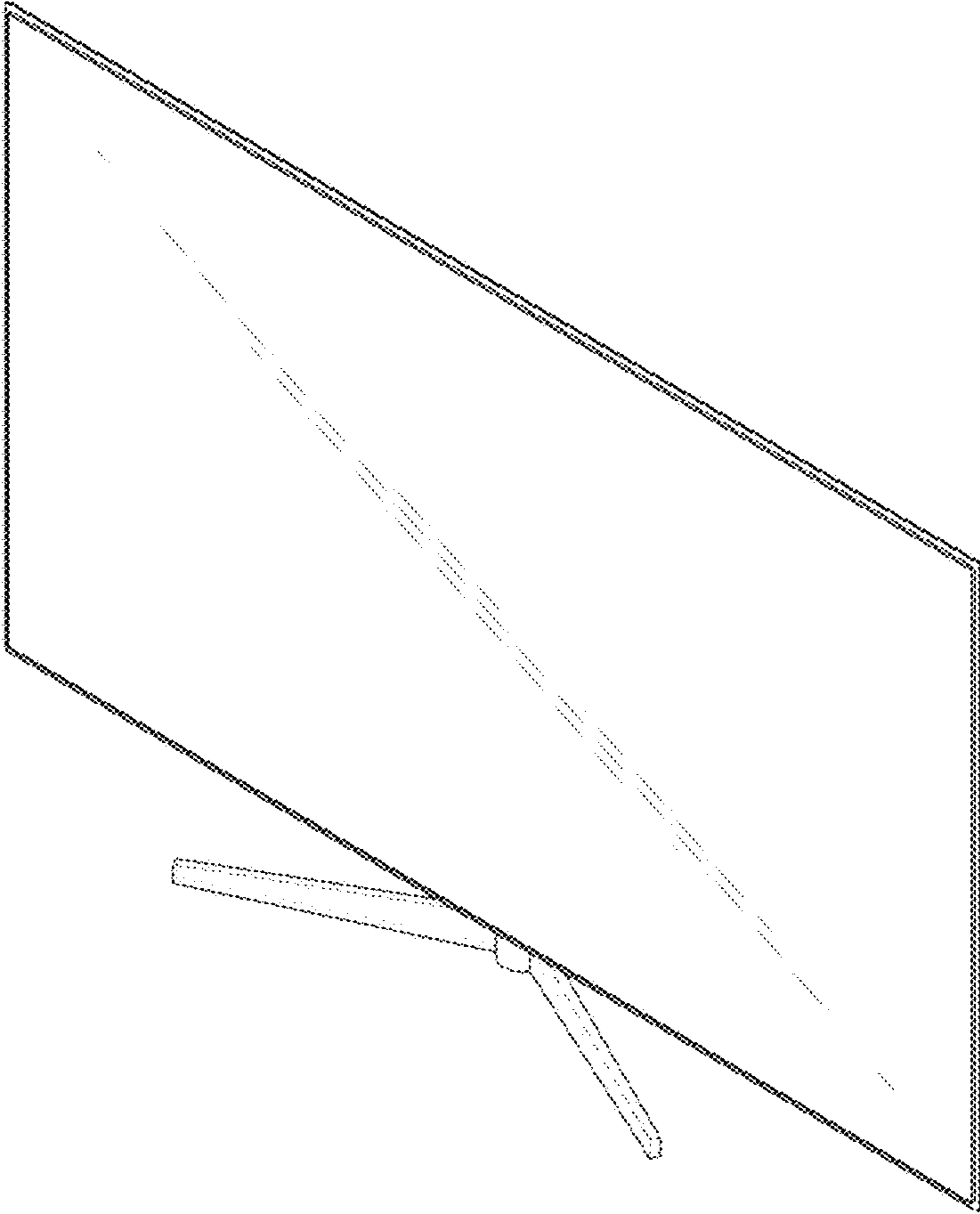
OTHER PUBLICATIONS

Denison, Caleb, LG OLED55B6P 4K HDR OLED TV Review, posted at Digital Trends, posting date Nov. 29, 2016. [online] [site visited Apr. 13, 2018]. Available from Internet. <URL: <https://www.digitaltrends.com/tv-reviews/lg-oled55b6p-review/>> (Year: 2016).*

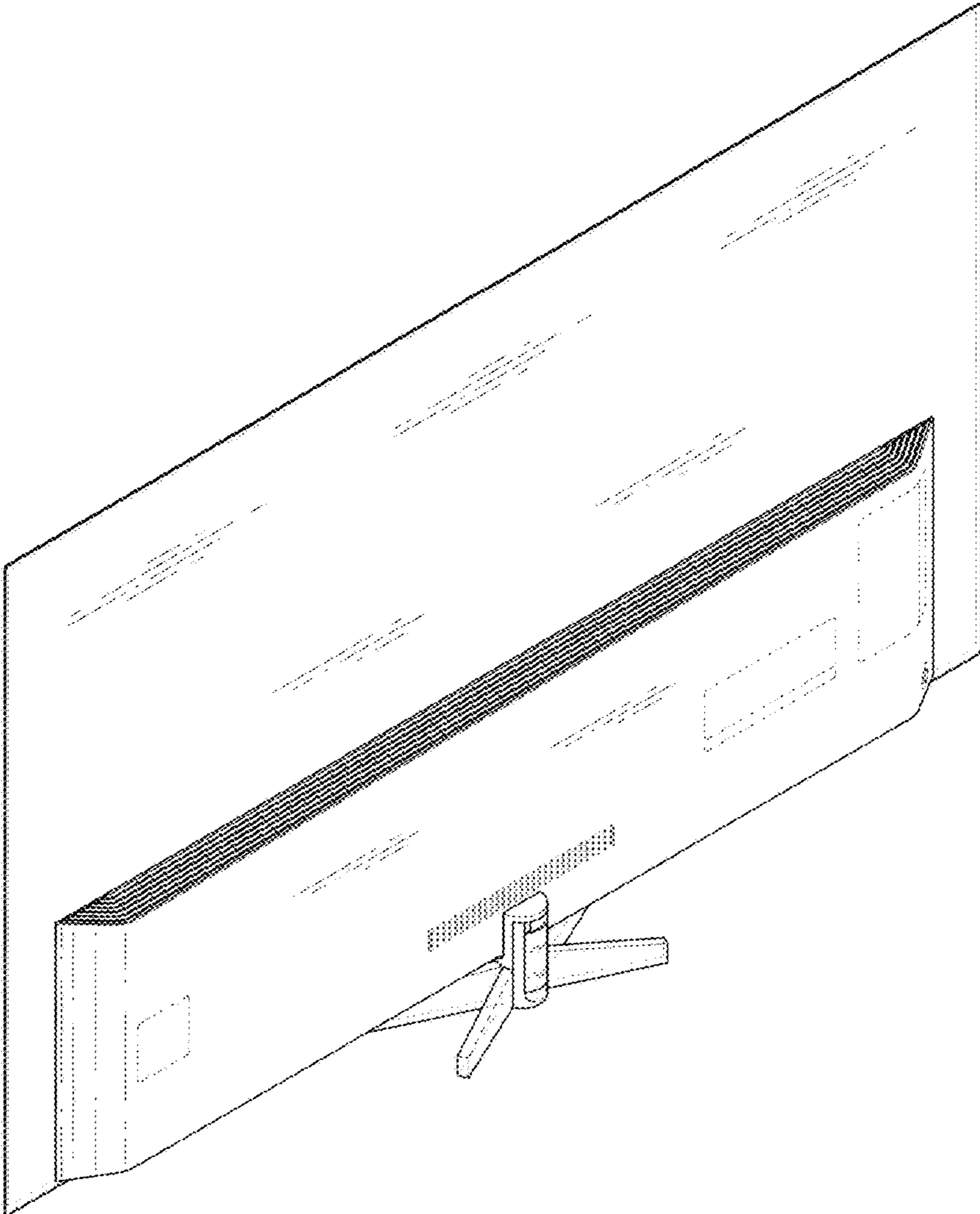
Ali, LG's NEw 4K OLED and Super UHD TVS, posted at News Aged, posting date Jan. 8, 2018. [online] [site visited Apr. 13, 2018]. Available from Internet. <URL: <http://newsaged.com/lgs-new-4k-oled-and-super-uhd-tvs-add-google-assistant-alexa-and-an-even-better-picture/>> (Year: 2018).*

* cited by examiner

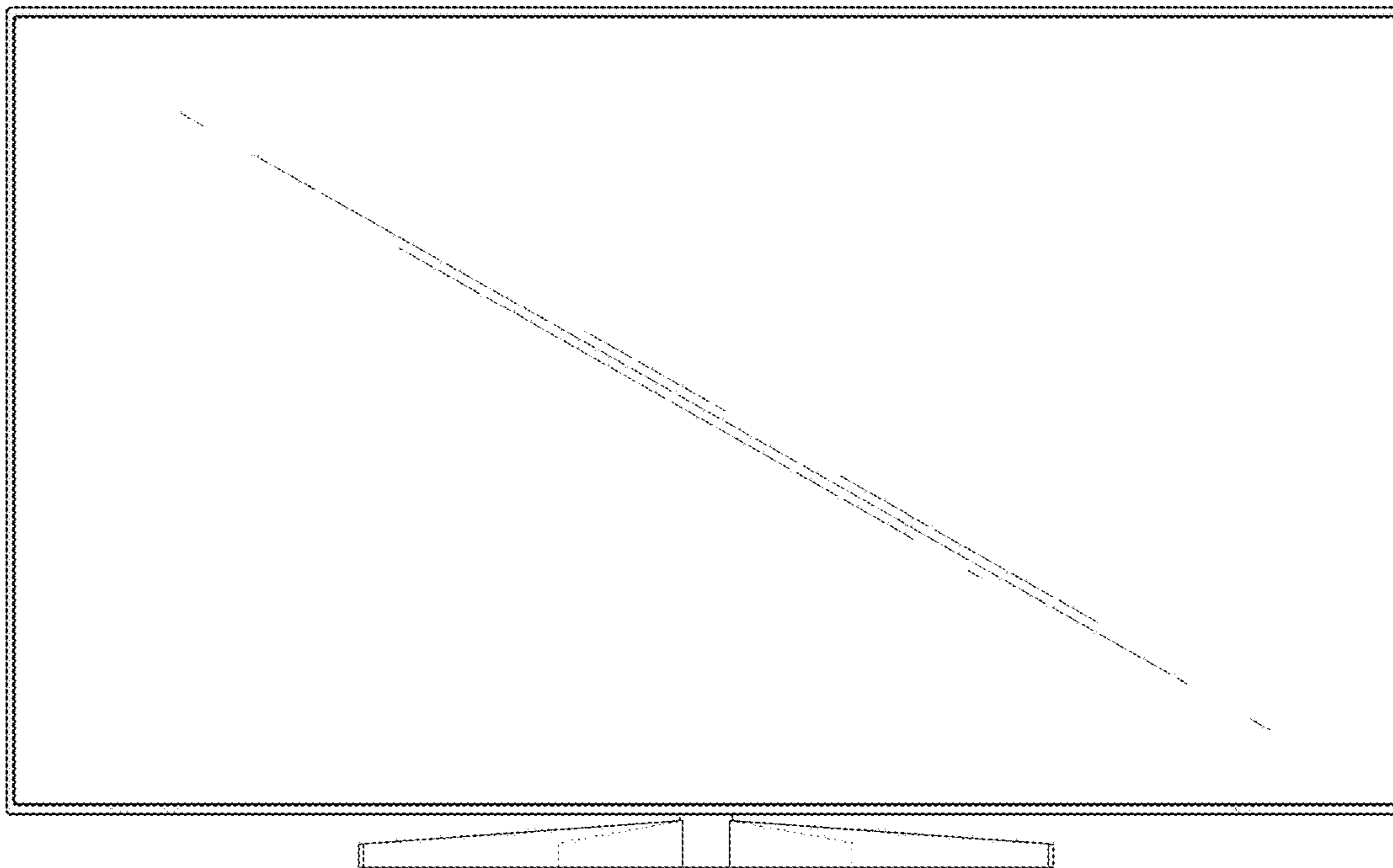
1.1



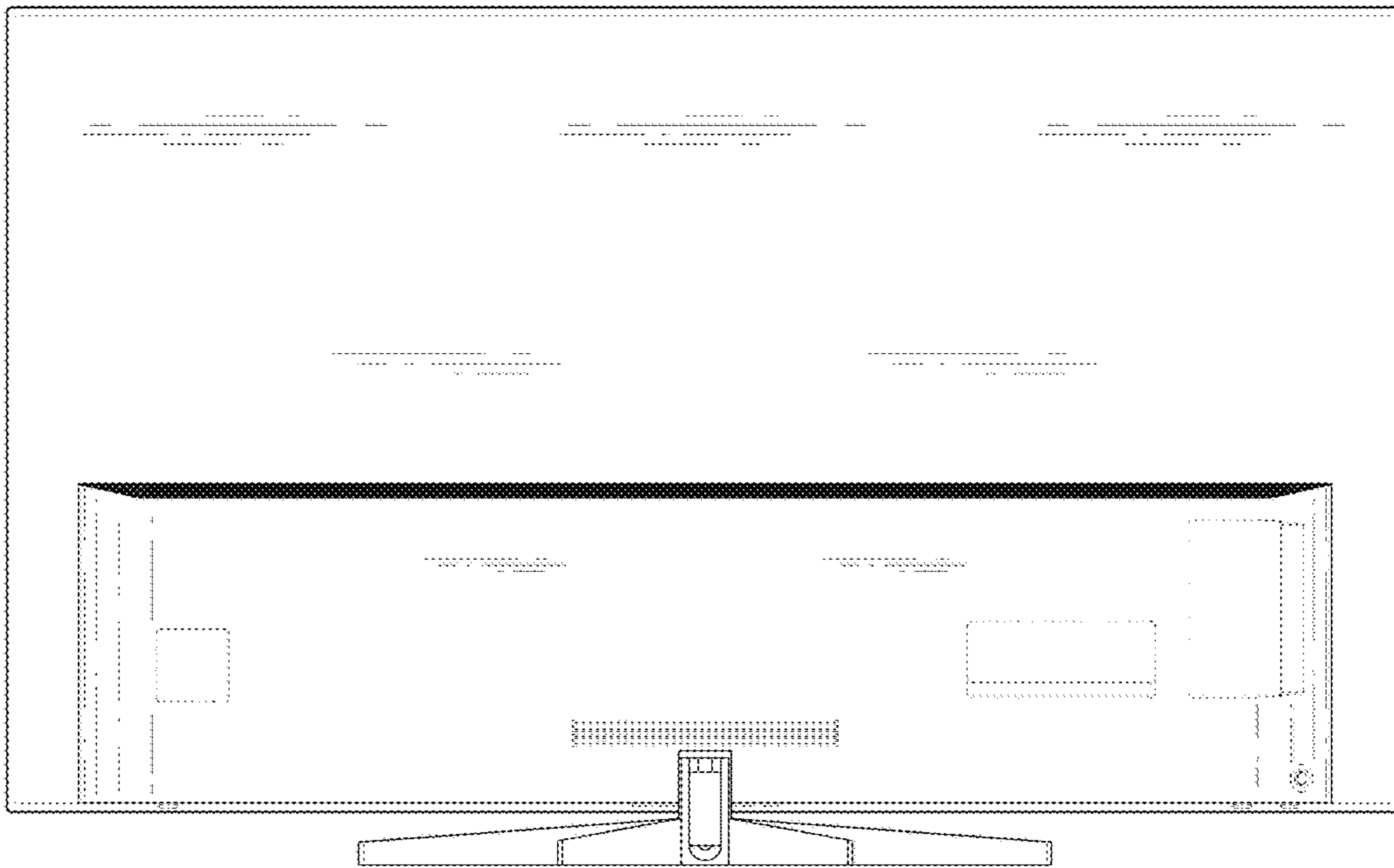
1.2



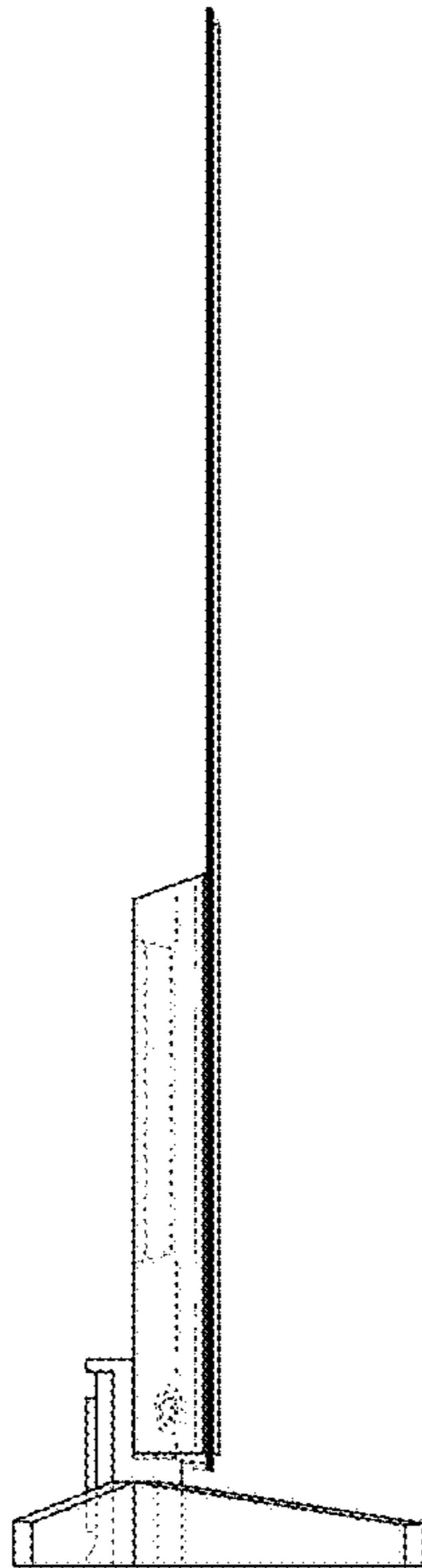
1.3



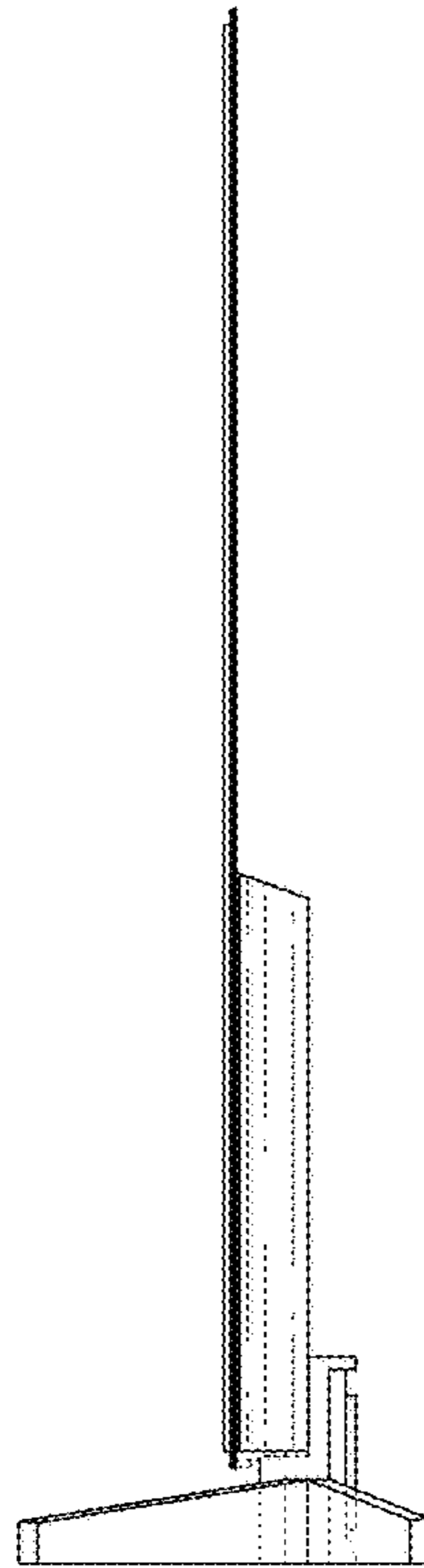
1.4



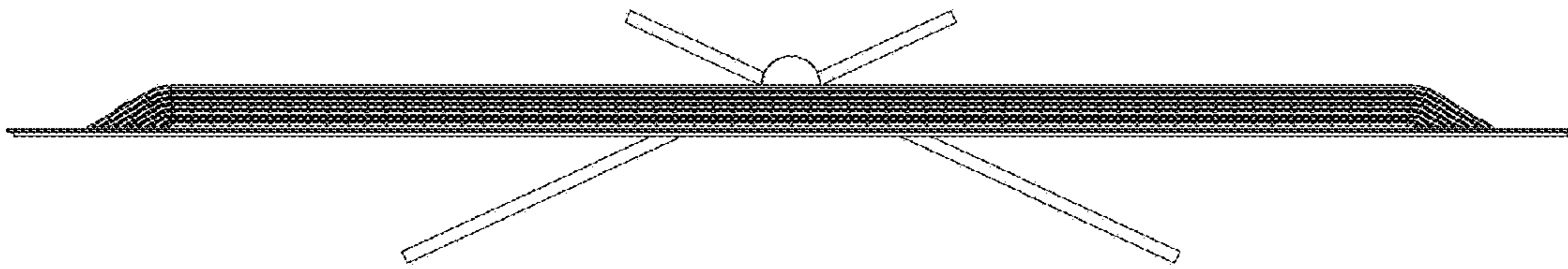
1.5



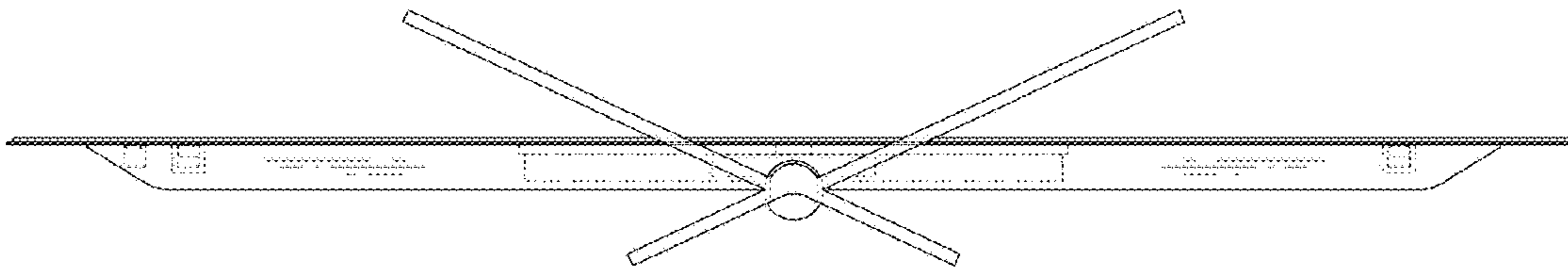
1.6



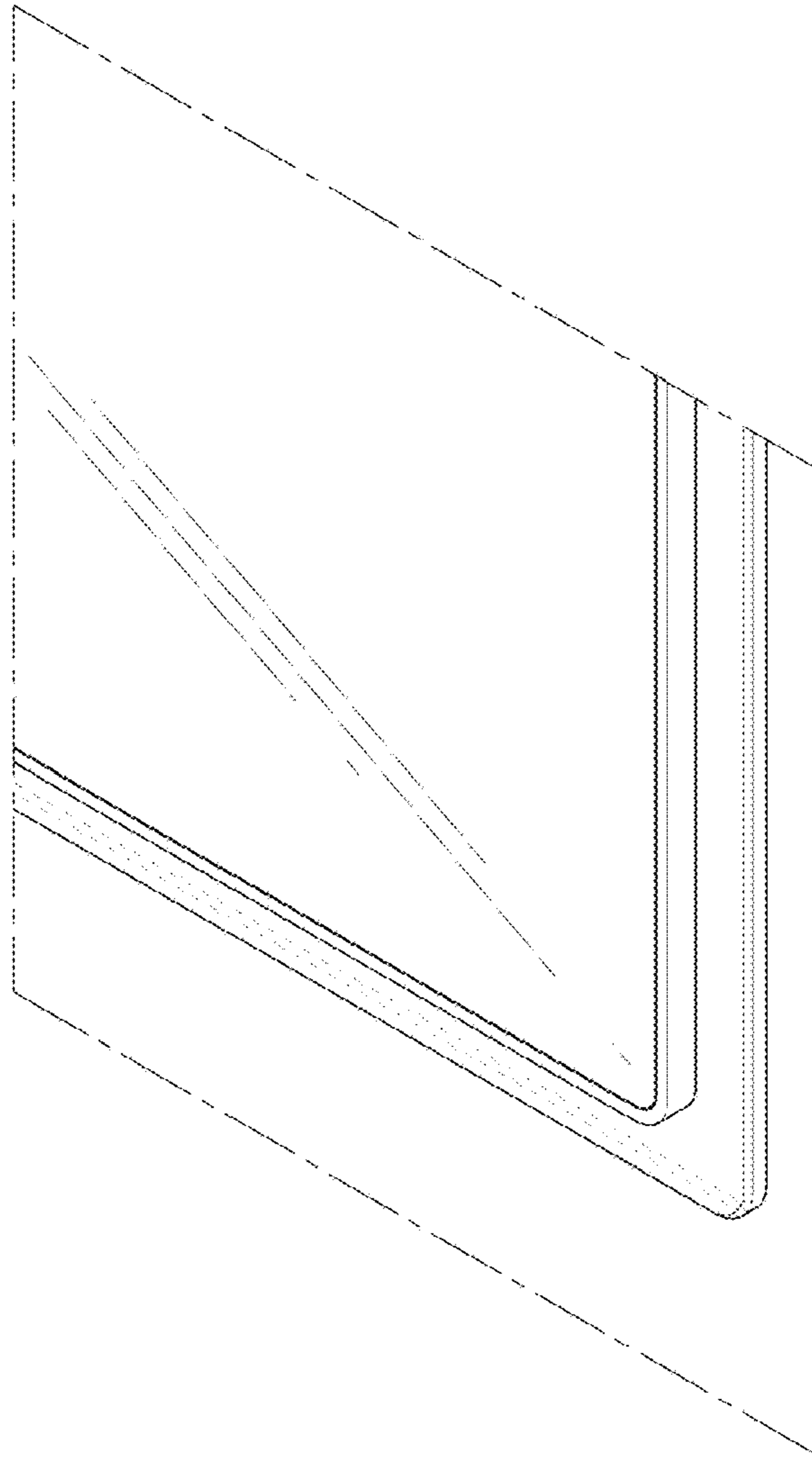
1.7



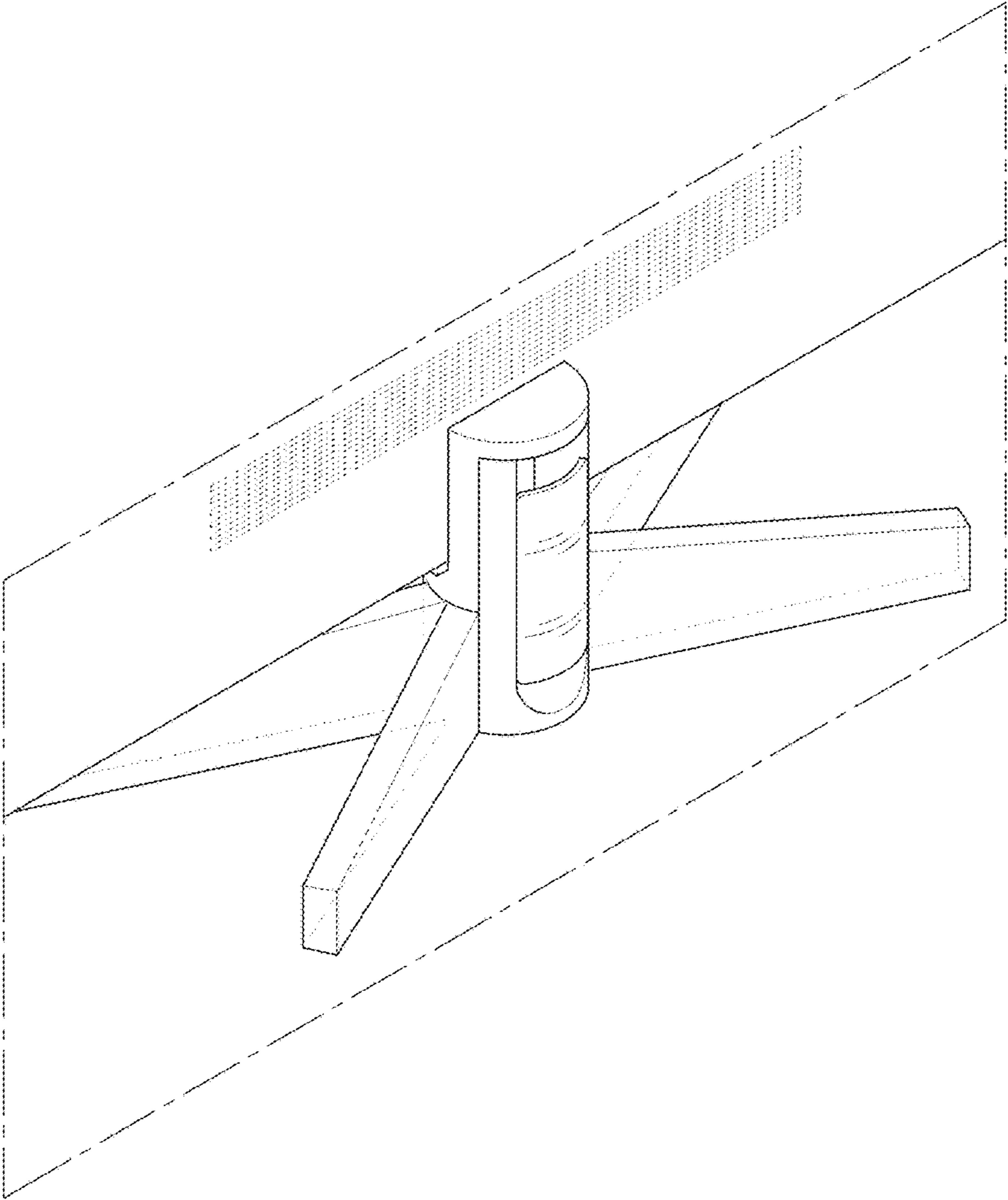
1.8



1.9



1.10



1.11

