



US00D836581S

(12) **United States Design Patent** (10) **Patent No.:** **US D836,581 S**
Andresen et al. (45) **Date of Patent:** **** Dec. 25, 2018**

(54) **COLLABORATION UNIT**
(71) Applicant: **Cisco Technology, Inc.**, San Jose, CA (US)
(72) Inventors: **Simen Andresen**, Hosle (NO); **Linn Tale Haugen**, Oslo (NO)
(73) Assignee: **Cisco Technology, Inc.**, San Jose, CA (US)
(**) Term: **15 Years**
(21) Appl. No.: **29/618,985**
(22) Filed: **Sep. 26, 2017**
(51) **LOC (11) Cl.** **14-03**
(52) **U.S. Cl.**
USPC **D14/126; D14/239**
(58) **Field of Classification Search**
USPC D14/125-134, 239, 371, 136, 374-377, D14/440, 450, 448, 336, 342, 159; 312/7.2; 348/836, 838, 180, 184, 325, 348/739; 248/917-924, 465; 345/104, 345/133, 156, 168, 87, 173; D21/329, D21/515, 577, 622, 333, 433, 448, 452, D21/450, 331, 505; D10/15, 26; 446/484, 175, 356; D6/477, 479, 300; D20/10, 19, 39; D16/203, 241; 160/24
CPC G06F 1/1601; G06F 1/1643; G06F 1/1652; G06F 1/1647; G06F 3/0412; H05K 5/0004; H05K 5/0017; H05K 5/02; H05K 5/0217; H04N 13/0459
See application file for complete search history.

D589,929 S 4/2009 Okamura et al.
D629,388 S * 12/2010 Son D14/214
D654,907 S 2/2012 McManigal
D655,274 S 3/2012 McManigal
(Continued)

OTHER PUBLICATIONS

“Camera and Microphone Array”, Part #: HW-Camera-2, <https://www.infocus.com/forms/mpdemo>, last accessed Sep. 25, 2017, 2 pages.

Primary Examiner — Randall H Gholson
(74) *Attorney, Agent, or Firm* — Edell, Shapiro, & Finnan, LLC

(57) **CLAIM**

The ornamental design for a collaboration unit, as shown and described.

DESCRIPTION

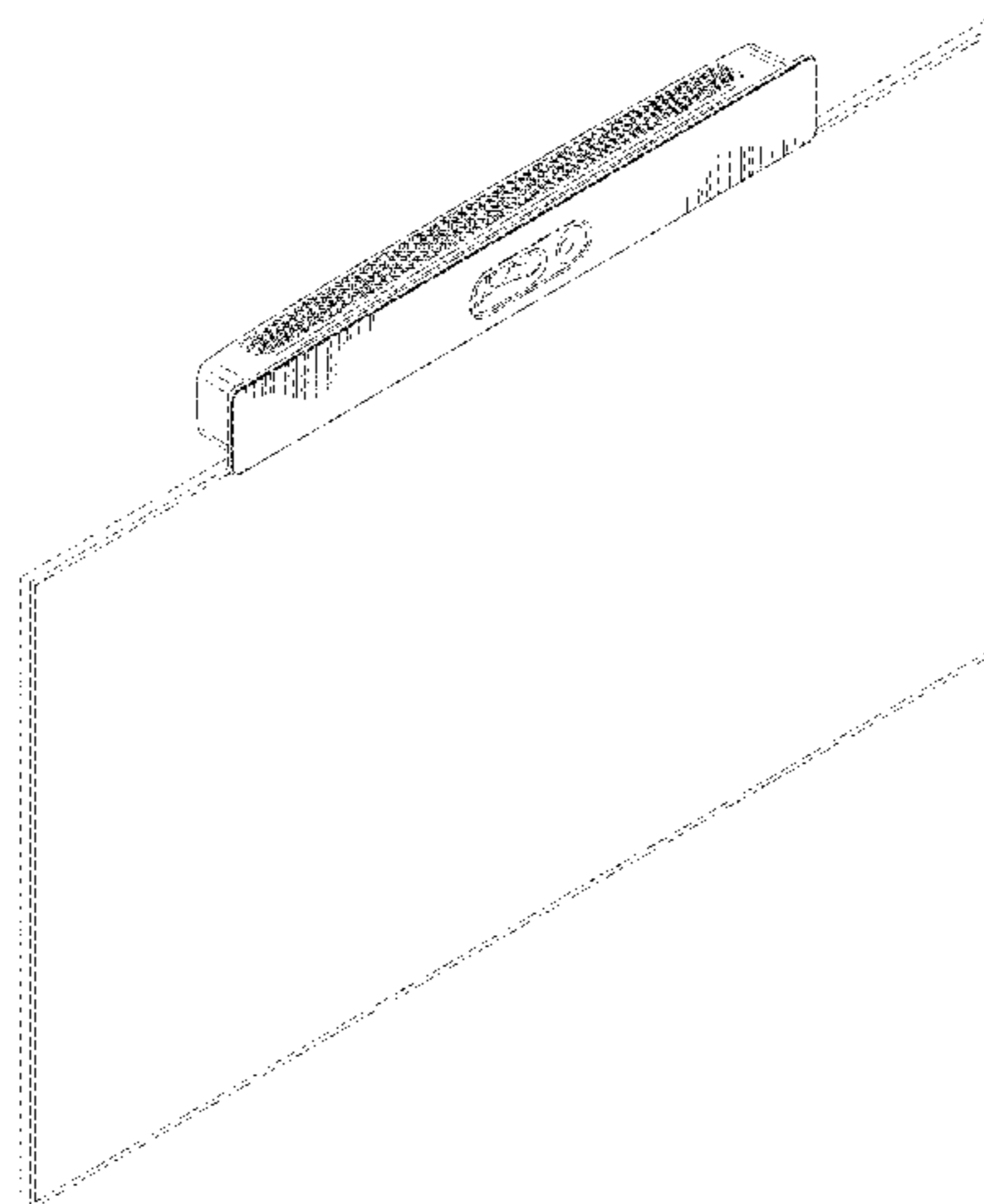
FIG. 1 is a front perspective view of a collaboration unit mounted above an electronic display screen;
FIG. 2 is a front perspective view of the collaboration unit of FIG. 1 mounted below the electronic display screen;
FIG. 3 is a front perspective view of the collaboration unit of FIG. 1;
FIG. 4 is a back perspective view of the collaboration unit of FIG. 1;
FIG. 5 is a front view of the collaboration unit of FIG. 1;
FIG. 6 is a back view of the collaboration unit of FIG. 1;
FIG. 7 is a first side view of the collaboration unit of FIG. 1;
FIG. 8 is a second side view of the collaboration unit of FIG. 1;
FIG. 9 is a top view of the collaboration unit of FIG. 1; and, FIG. 10 is a bottom view of the collaboration unit of FIG. 1. Any portions shown using dashed lines are for illustrative purposes only and form no part of the claimed design.

1 Claim, 7 Drawing Sheets

(56) **References Cited**

U.S. PATENT DOCUMENTS

D520,494 S * 5/2006 Aiba D14/214
D526,309 S 8/2006 Ozawa et al.
D555,633 S 11/2007 Kim et al.
D562,801 S 2/2008 Kim et al.



(56)

References Cited

U.S. PATENT DOCUMENTS

| | | | |
|-----------------|---------|-------------------|---------|
| D692,858 S | 11/2013 | Millora et al. | |
| D710,823 S * | 8/2014 | Woo | D14/214 |
| D711,852 S | 8/2014 | Mackiewicz et al. | |
| D715,769 S | 10/2014 | McManigal | |
| D731,573 S | 6/2015 | Lyngra et al. | |
| D738,860 S | 9/2015 | Kim et al. | |
| D742,845 S | 11/2015 | Ostensen et al. | |
| D743,373 S | 11/2015 | Kim et al. | |
| D744,982 S | 12/2015 | Kim et al. | |
| D754,104 S | 4/2016 | Yoon et al. | |
| D756,322 S | 5/2016 | Ostensen et al. | |
| D756,961 S | 5/2016 | White et al. | |
| D766,876 S | 9/2016 | Honda | |
| D773,420 S * | 12/2016 | Kim | D14/126 |
| D793,362 S | 8/2017 | Fischer | |
| 2017/0094222 A1 | 3/2017 | Tangeland et al. | |

* cited by examiner

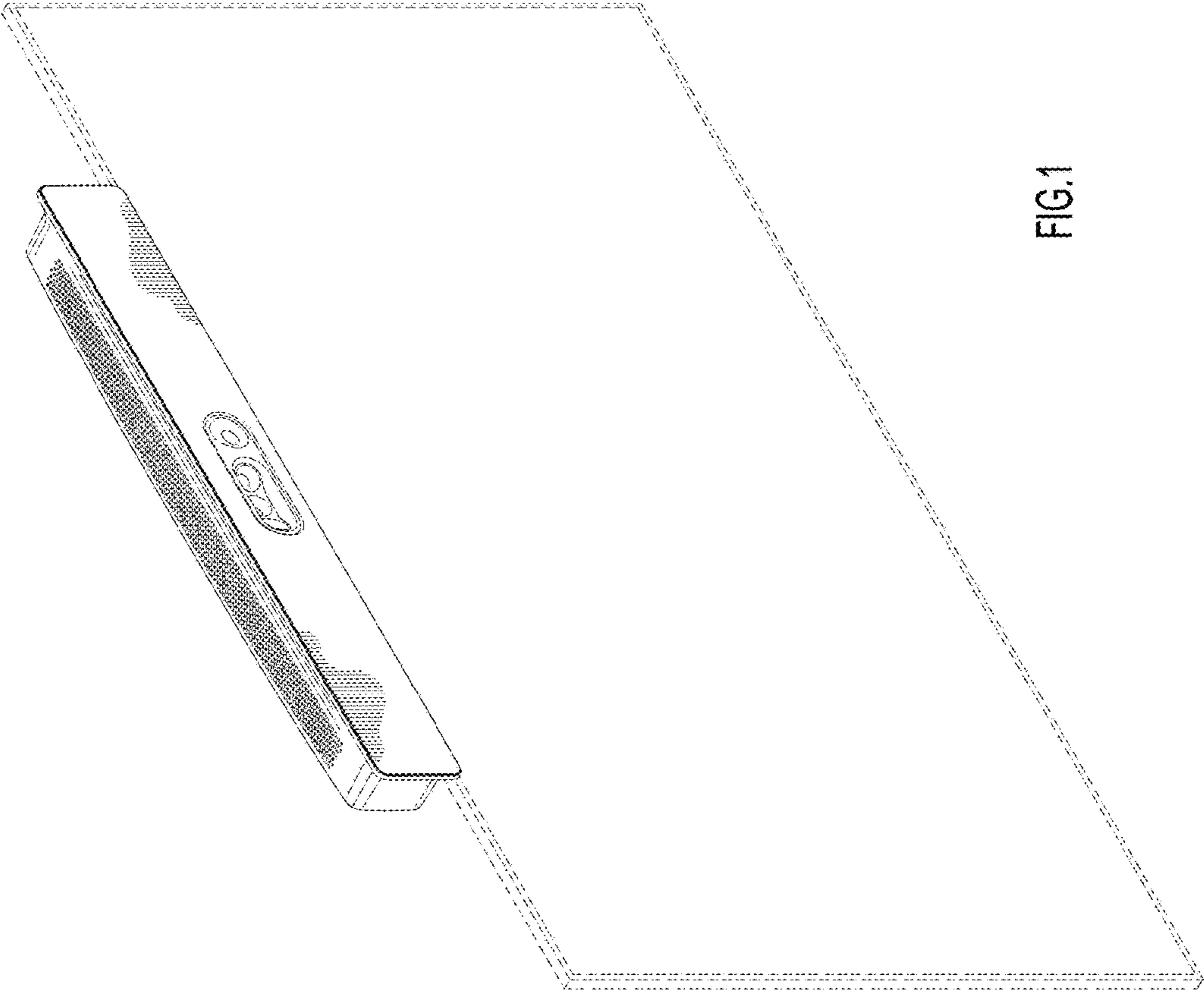


FIG.1

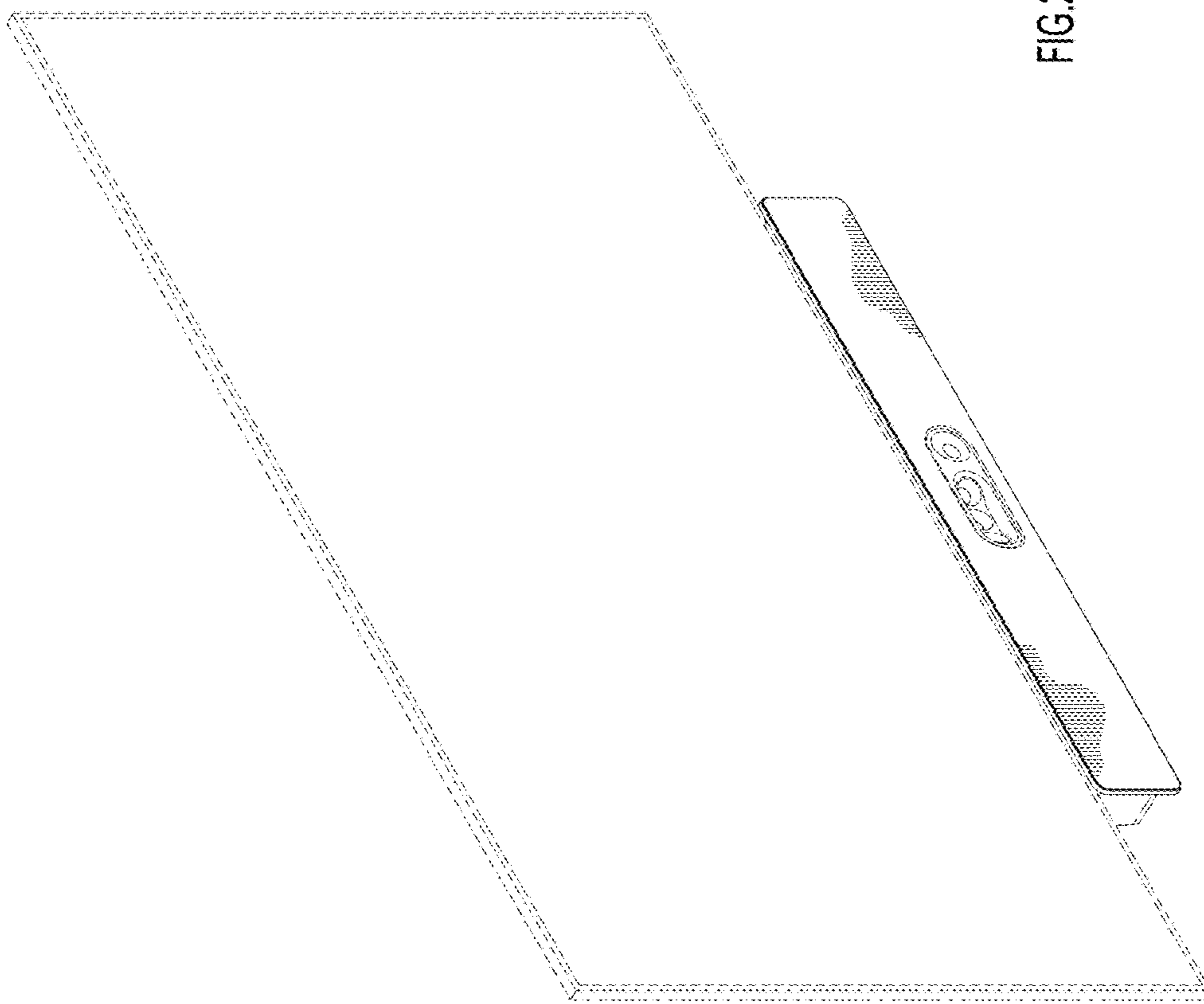


FIG. 2

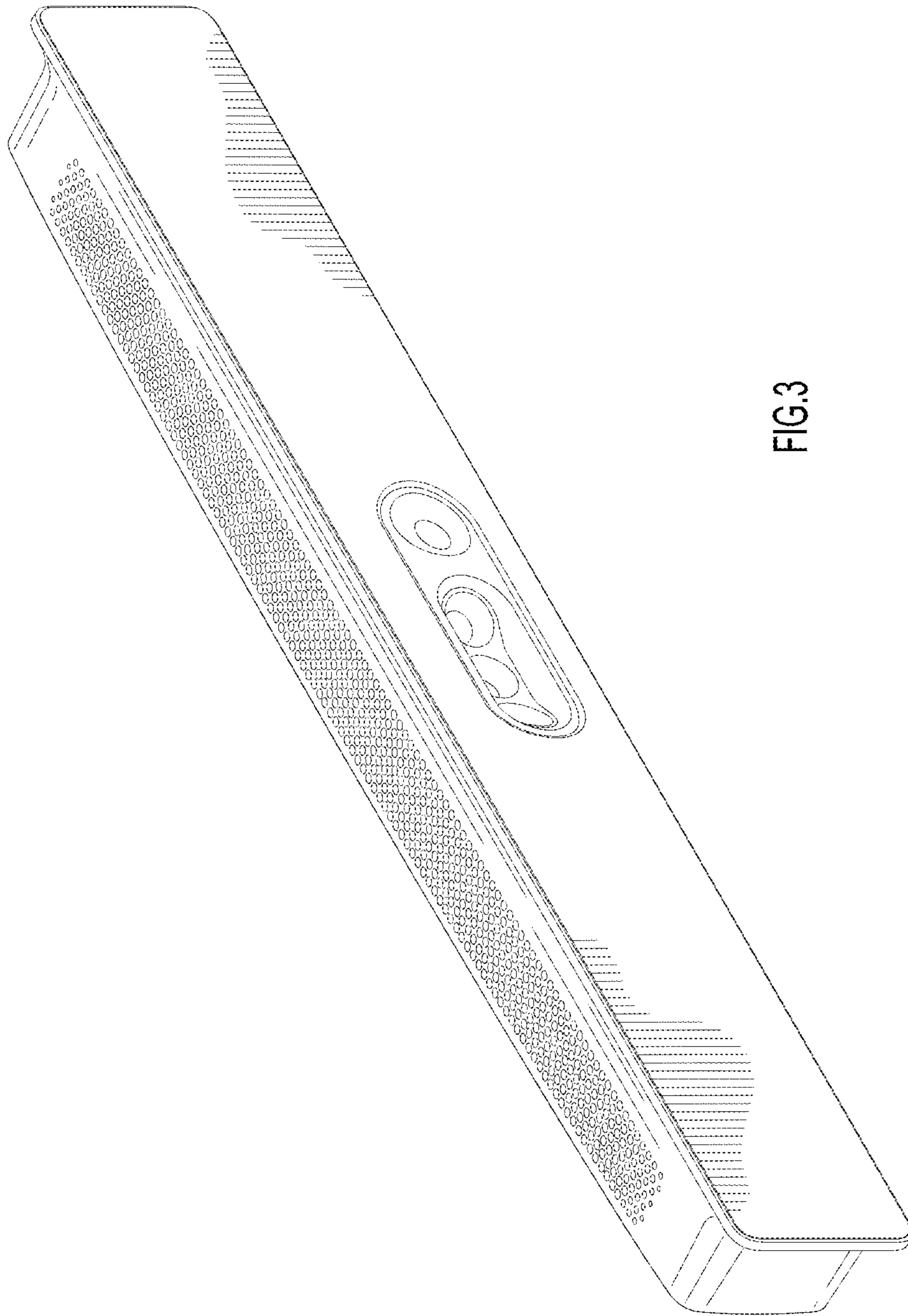


FIG.3

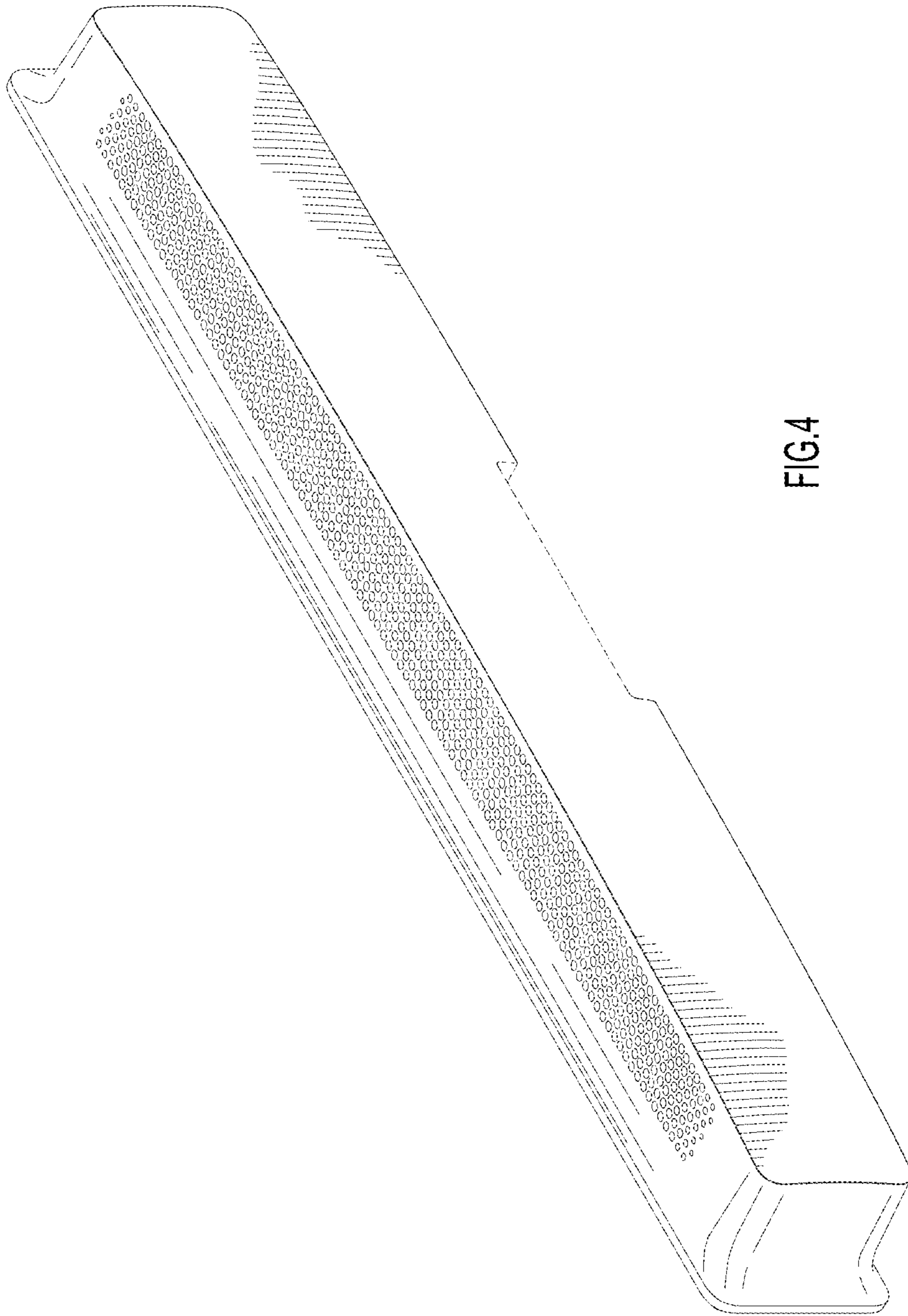


FIG. 4

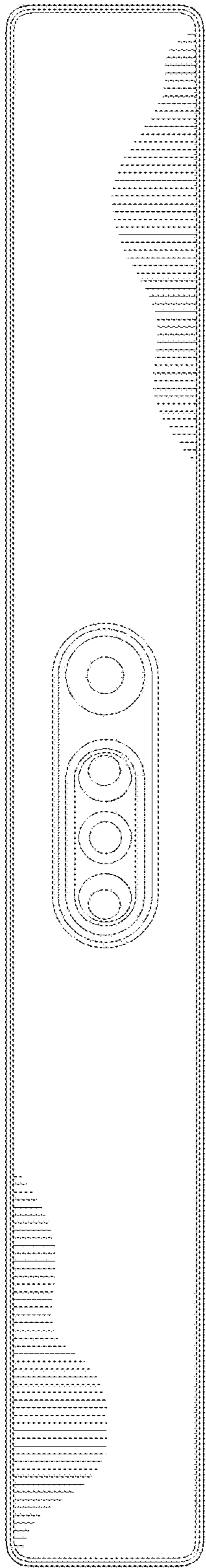


FIG. 5

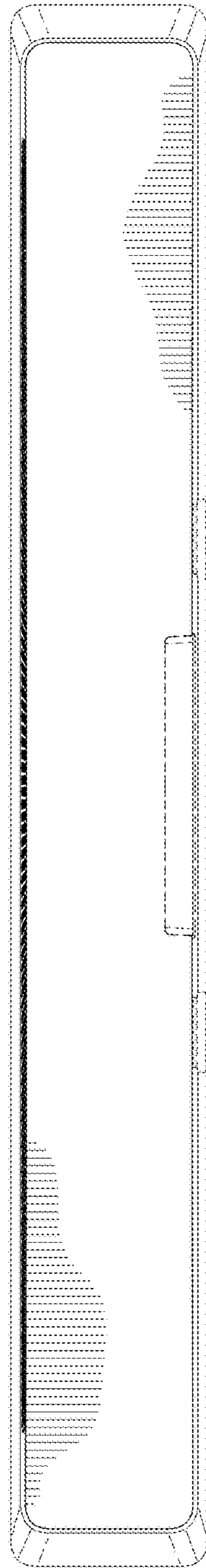


FIG. 6

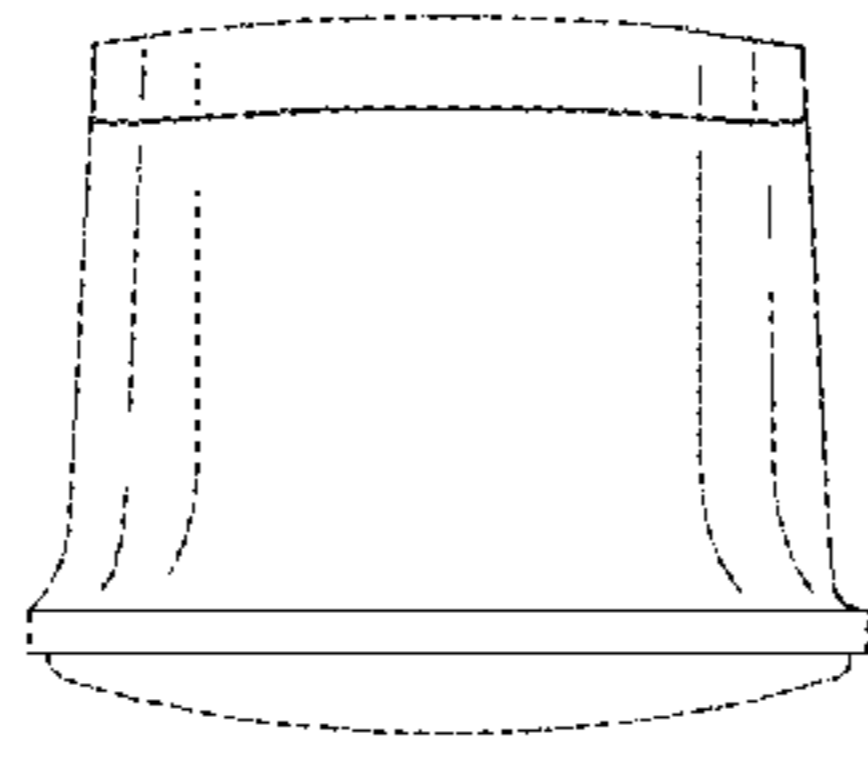


FIG. 8

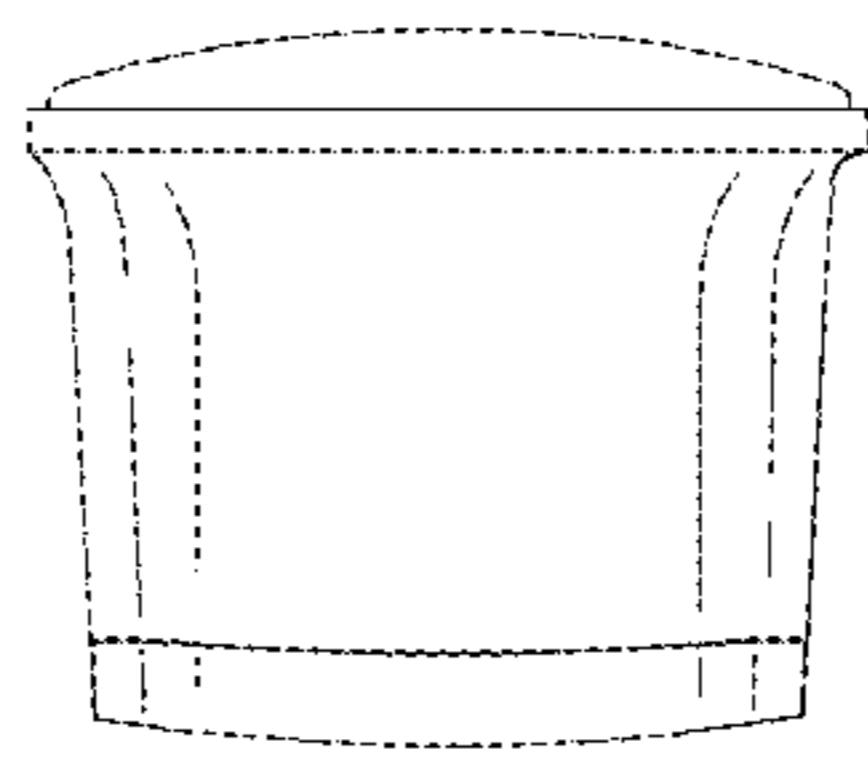


FIG. 7

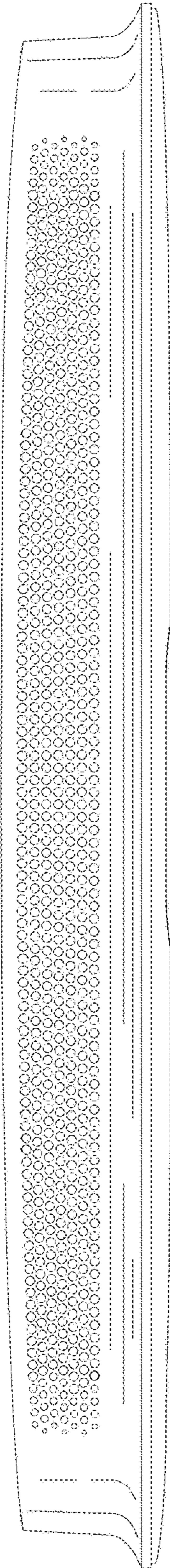


FIG. 9

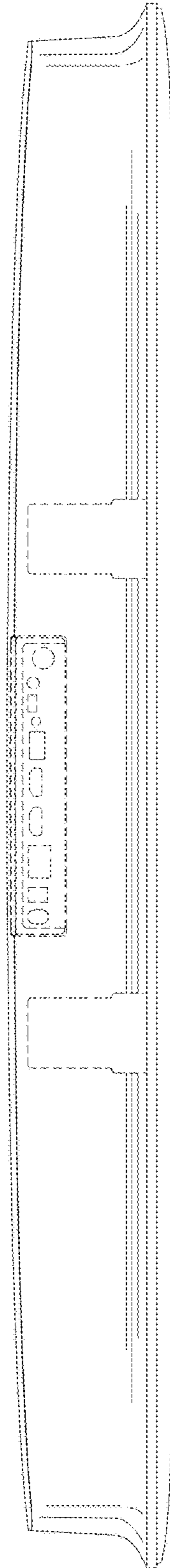


FIG. 10