



US00D836580S

(12) **United States Design Patent** (10) **Patent No.:** **US D836,580 S**
Østensen et al. (45) **Date of Patent:** **** Dec. 25, 2018**

(54) **COLLABORATIVE ELECTRONIC DISPLAY**

(71) Applicant: **Cisco Technology, Inc.**, San Jose, CA (US)

(72) Inventors: **Kristian Magnus Hage Østensen**, Oslo (NO); **Vidar Borthne**, Oslo (NO); **Torkel Mellingen**, Oslo (NO)

(73) Assignee: **Cisco Technology, Inc.**, San Jose, CA (US)

(**) Term: **15 Years**

(21) Appl. No.: **29/610,712**

(22) Filed: **Jul. 14, 2017**

(51) **LOC (11) Cl.** **14-03**

(52) **U.S. Cl.**
USPC **D14/126**

(58) **Field of Classification Search**
USPC D14/125-134, 239, 371, 136, 374-377, D14/440, 450, 448, 336, 342, 159; 312/7.2; 348/836, 838, 180, 184, 325, 348/739; 248/917-924, 465; 345/104, 345/133, 156, 168, 87, 173; D21/329, D21/515, 577, 622, 333, 433, 448, 452, D21/450, 331, 505; D10/15, 26; 446/484, 175, 356; D6/477, 479, 300; D20/10, 19, 39; D16/203, 241; 160/24
CPC G06F 1/1601; G06F 1/1643; G06F 1/1652; G06F 1/1647; G06F 3/0412; H05K 5/0004; H05K 5/0017; H05K 5/02; H05K 5/0217; H04N 13/0459
See application file for complete search history.

(56) **References Cited**

U.S. PATENT DOCUMENTS

D339,379 S 9/1993 Persing
D393,008 S 3/1998 Hiraguchi et al.
D424,068 S 5/2000 Takemasa

D424,538 S 5/2000 Hayashi et al.
D504,889 S 5/2005 Andre et al.
D594,062 S 6/2009 Loerakker
D626,599 S 11/2010 Ogawa et al.
D635,189 S 3/2011 Bolt et al.
D649,190 S 11/2011 Goodall
D657,787 S 4/2012 Fletcher et al.
D739,364 S 9/2015 Mellingen et al.
D750,077 S 2/2016 Lee et al.
D750,627 S 3/2016 Lee et al.
D762,772 S 8/2016 Tsuruoka
D764,455 S * 8/2016 Akana D14/341
D780,750 S 3/2017 Yu
D781,291 S 3/2017 Hu et al.

* cited by examiner

Primary Examiner — Randall H Gholson
(74) *Attorney, Agent, or Firm* — Edell, Shapiro & Finnan, LLC

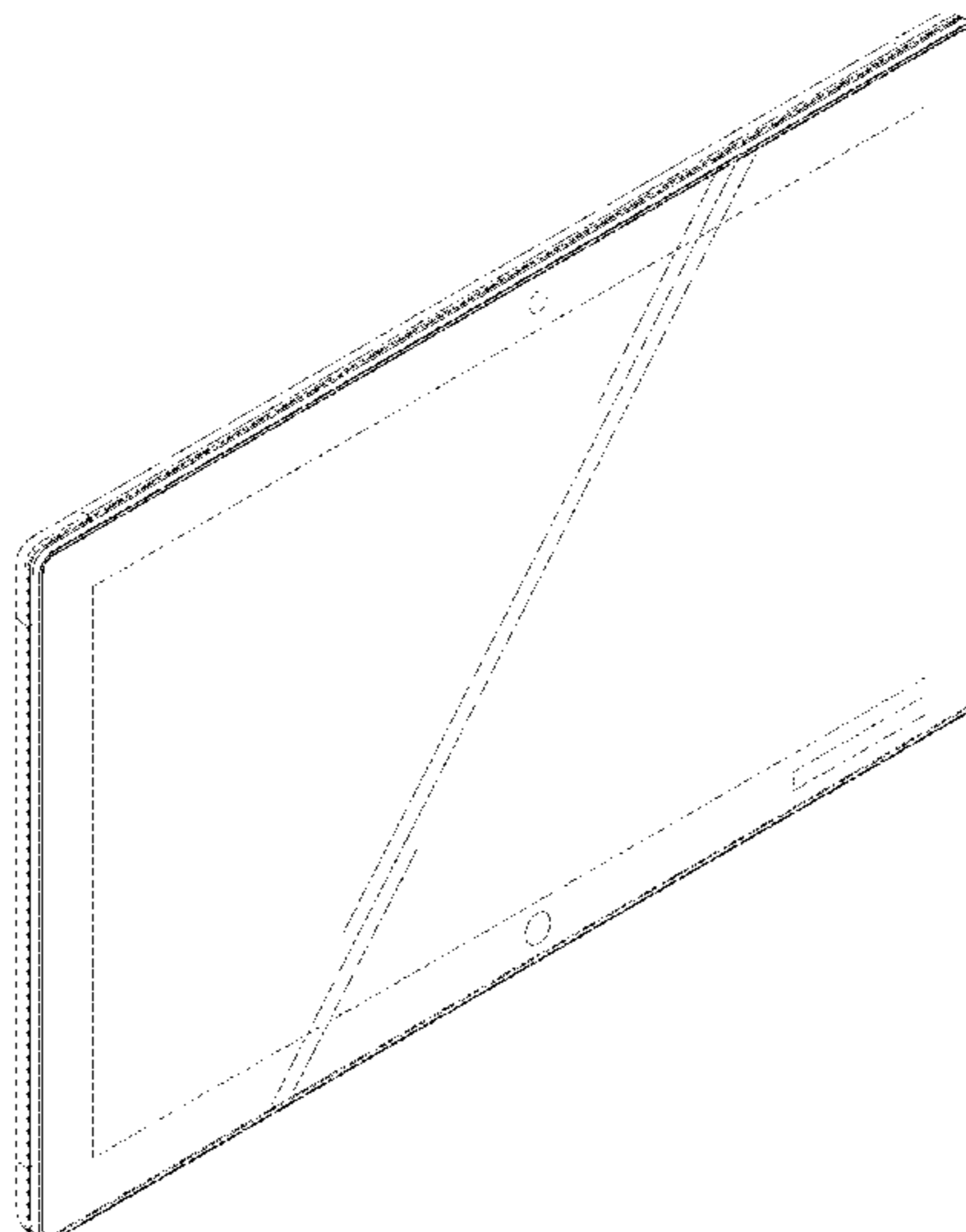
(57) **CLAIM**

The ornamental design for a collaborative electronic display, as shown and described.

DESCRIPTION

FIG. 1 is a front perspective view of a collaborative electronic display;
FIG. 2 is a front view of the collaborative electronic display of FIG. 1;
FIG. 3 is a back view of the collaborative electronic display of FIG. 1;
FIG. 4 is a first side view of the collaborative electronic display of FIG. 1;
FIG. 5 is a second side view of the collaborative electronic display of FIG. 1;
FIG. 6 is a top view of the collaborative electronic display of FIG. 1; and,
FIG. 7 is a bottom view of the collaborative electronic display of FIG. 1.
Any portions shown using dashed lines are for illustrative purposes only and form no part of the claimed design.

1 Claim, 5 Drawing Sheets



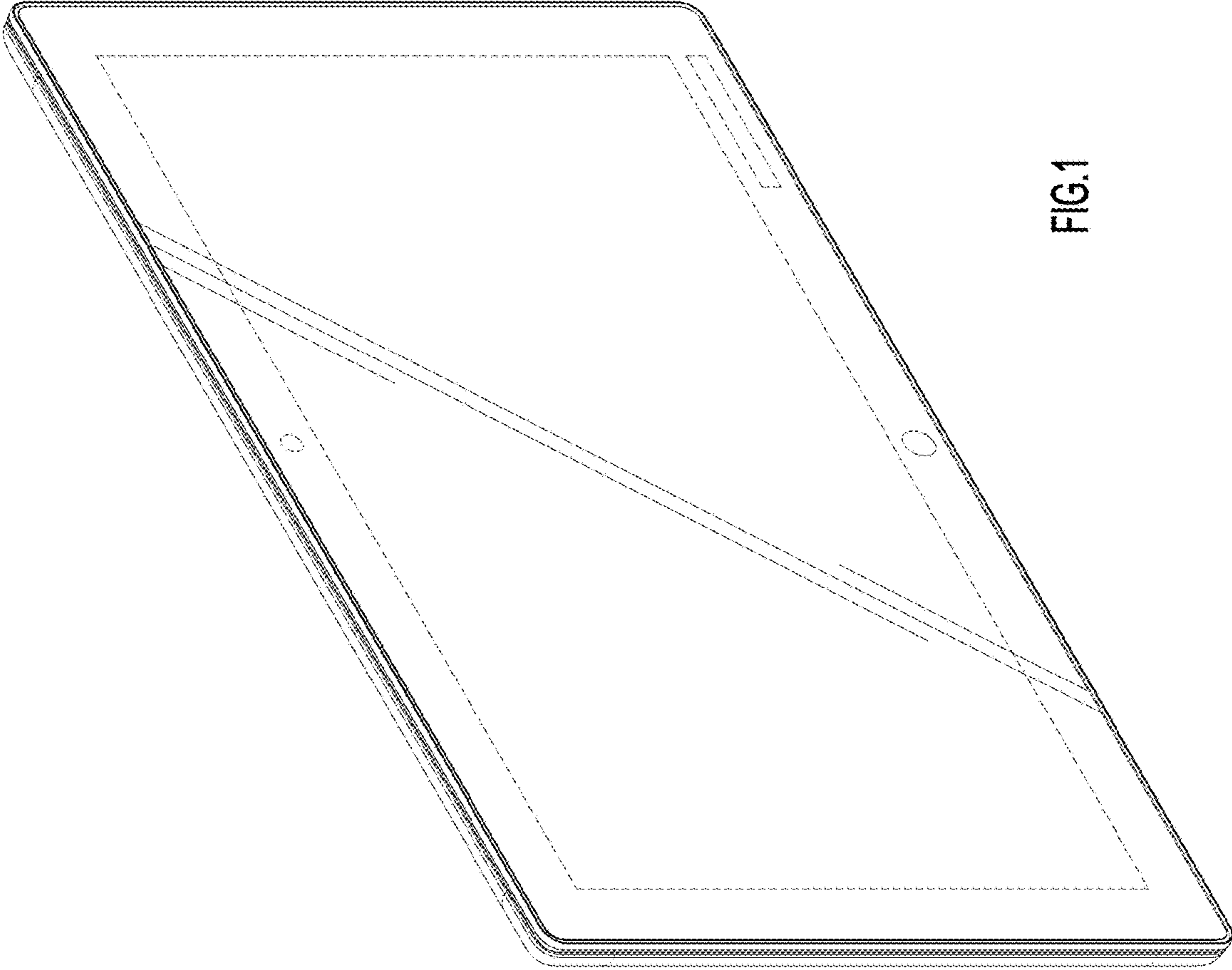


FIG.1

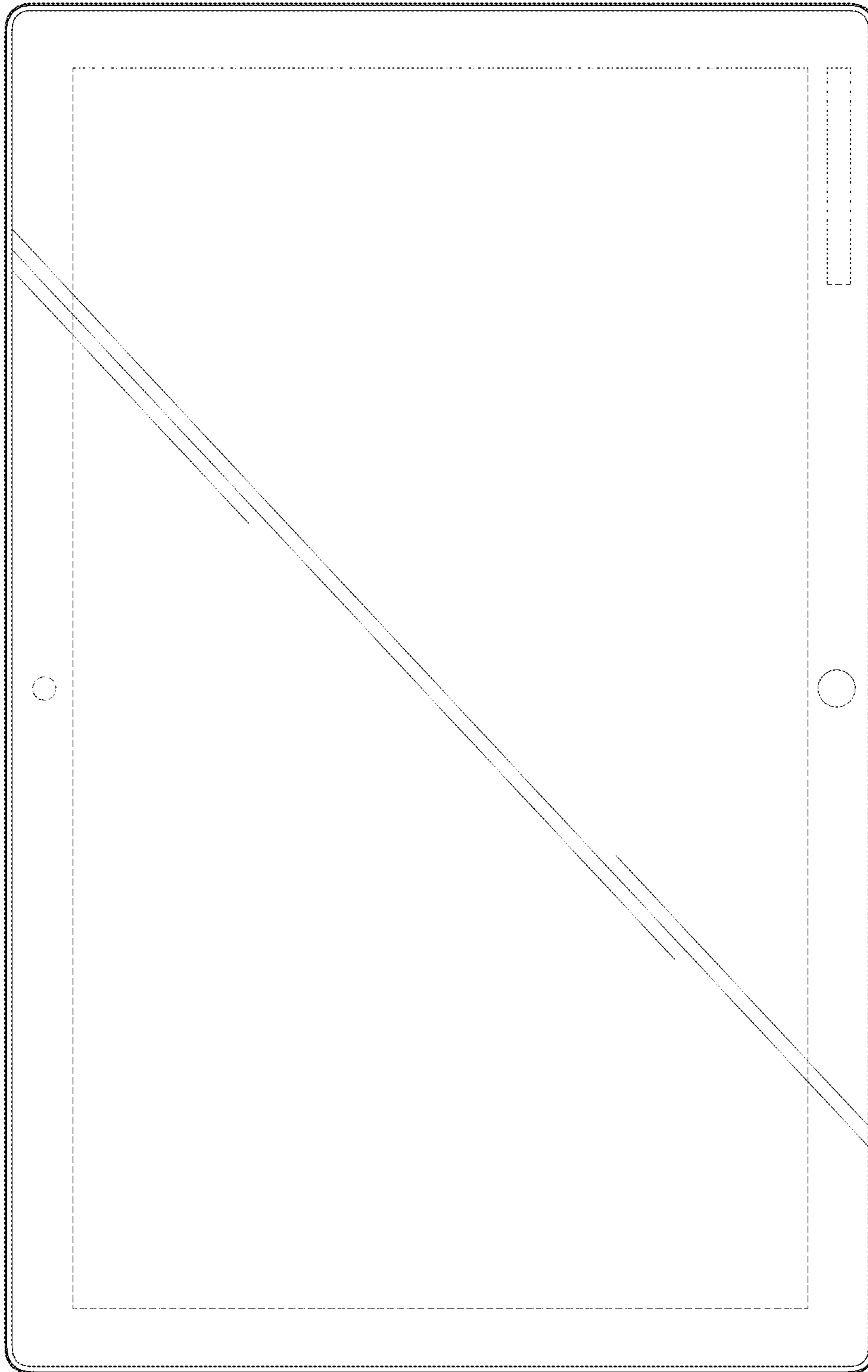


FIG. 2

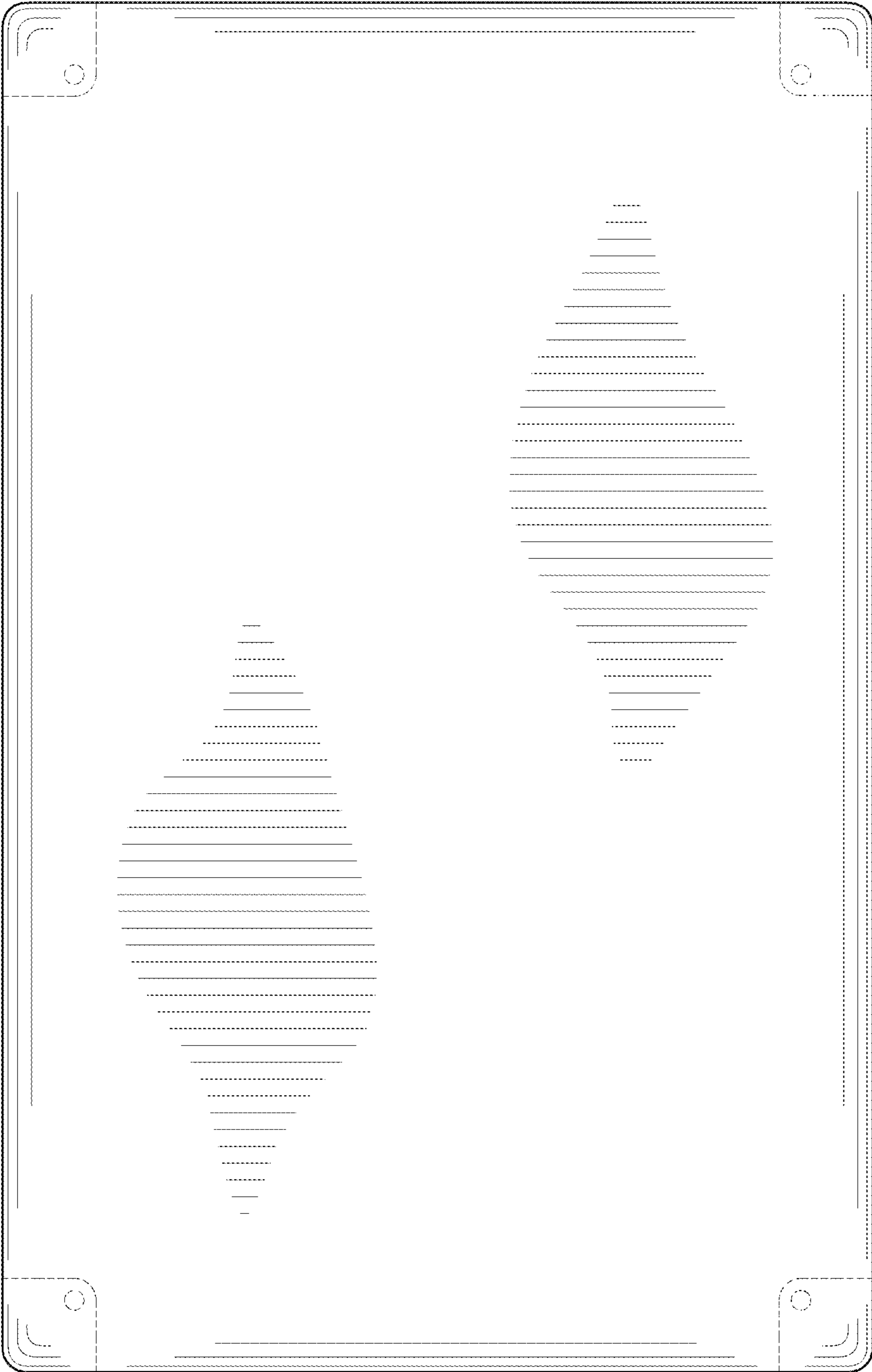


FIG.3

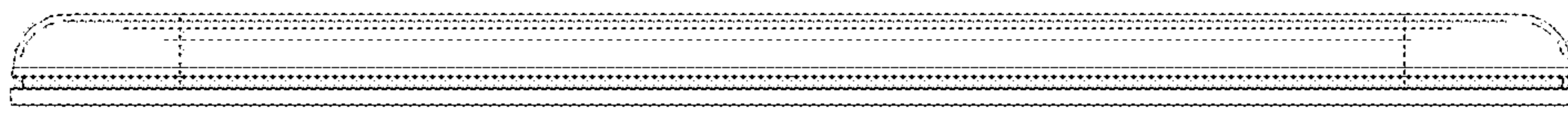


FIG.5



FIG.4

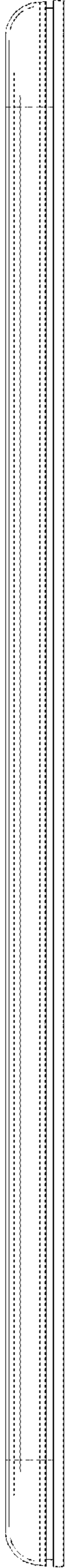


FIG. 6

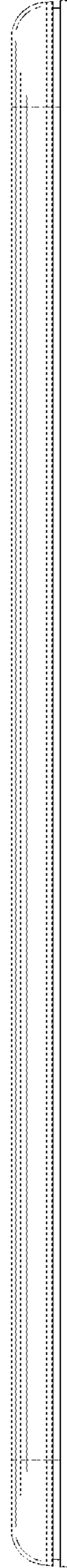


FIG. 7