



US00D836579S

(12) **United States Design Patent** (10) **Patent No.:** **US D836,579 S**  
**Gannon et al.** (45) **Date of Patent:** **\*\* Dec. 25, 2018**

(54) **ELECTRONIC DEVICE**

(71) Applicant: **California Labs Inc.**, San Francisco, CA (US)  
 (72) Inventors: **Brian Gannon**, San Francisco, CA (US); **Ethan Ballweber**, San Francisco, CA (US); **Sital Mistry**, San Francisco, CA (US)  
 (73) Assignee: **California Labs Inc.**, San Francisco, CA (US)

(\*\*) Term: **15 Years**

(21) Appl. No.: **29/585,097**

(22) Filed: **Nov. 21, 2016**

(51) **LOC (11) Cl.** ..... **14-03**

(52) **U.S. Cl.**  
 USPC ..... **D14/126**

(58) **Field of Classification Search**  
 USPC ..... D14/125-134, 239, 371, 136, 374-377, D14/440, 450, 448, 336, 342, 159; 312/7.2; 348/836, 838, 180, 184, 325, 348/739; 248/917-924, 465; 345/104, 345/133, 156, 168, 87, 173; D21/329, D21/515, 577, 622, 333, 433, 448, 452, D21/450, 331, 505; D10/15, 26; 446/484, 175, 356; D6/477, 479, 300; D20/10, 19, 39; D16/203, 241; 160/24  
 CPC .... G06F 1/1601; G06F 1/1643; G06F 1/1652; G06F 1/1647; G06F 3/0412; H05K 5/0004; H05K 5/0017; H05K 5/02; H05K 5/0217; H04N 13/0459

See application file for complete search history.

(56) **References Cited**

U.S. PATENT DOCUMENTS

D436,951 S \* 1/2001 Andresen ..... D14/336  
 D753,077 S \* 4/2016 Margis ..... D14/126  
 D762,644 S \* 8/2016 Maffetone ..... D14/371

\* cited by examiner

*Primary Examiner* — Randall H Gholson

(74) *Attorney, Agent, or Firm* — Ascenda Law Group, PC

(57) **CLAIM**

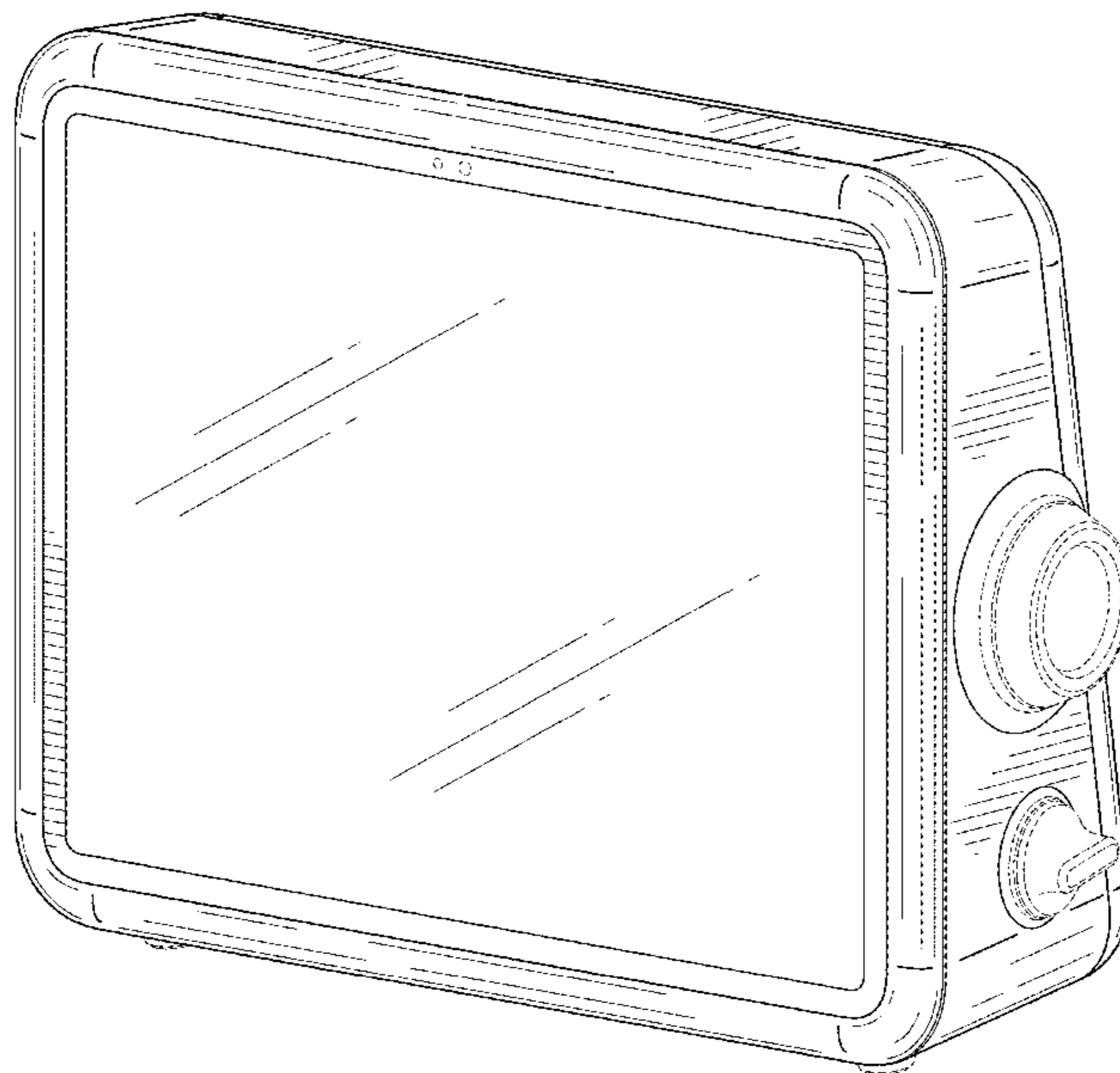
The ornamental design for a electronic device, as shown and described.

**DESCRIPTION**

FIG. 1 is a front perspective view of an electronic device in accordance with the present invention;  
 FIG. 2 is a rear perspective view thereof;  
 FIG. 3 is a top view thereof;  
 FIG. 4 is a bottom view thereof;  
 FIG. 5 is a left side view thereof;  
 FIG. 6 is a right side view thereof;  
 FIG. 7 is a front view thereof; and,  
 FIG. 8 is a rear view thereof.

The broken lines in the illustrations of the electronic device are included for the purpose of illustrating portions of the device in which the design is embodied or applied but form no part of the claimed design. The electronic device is not limited to the scale shown herein. The article of manufacture to which the ornamental design has been applied is an electronic device, and may be a media player (e.g., music, video and/or game player), media storage device, a personal digital assistant, a communication device (e.g., smart phone), a novelty item, or a toy.

**1 Claim, 7 Drawing Sheets**



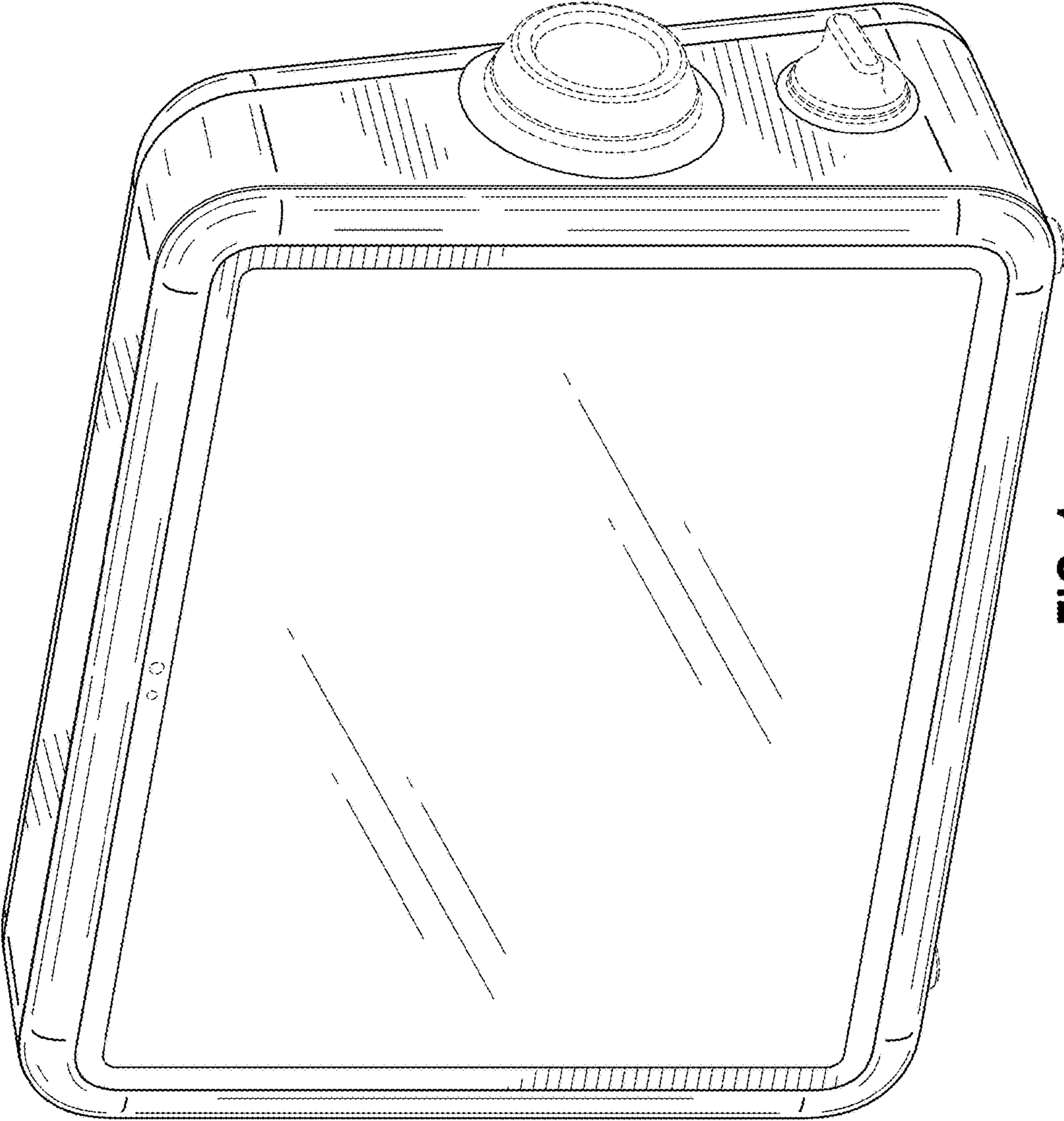


FIG. 1

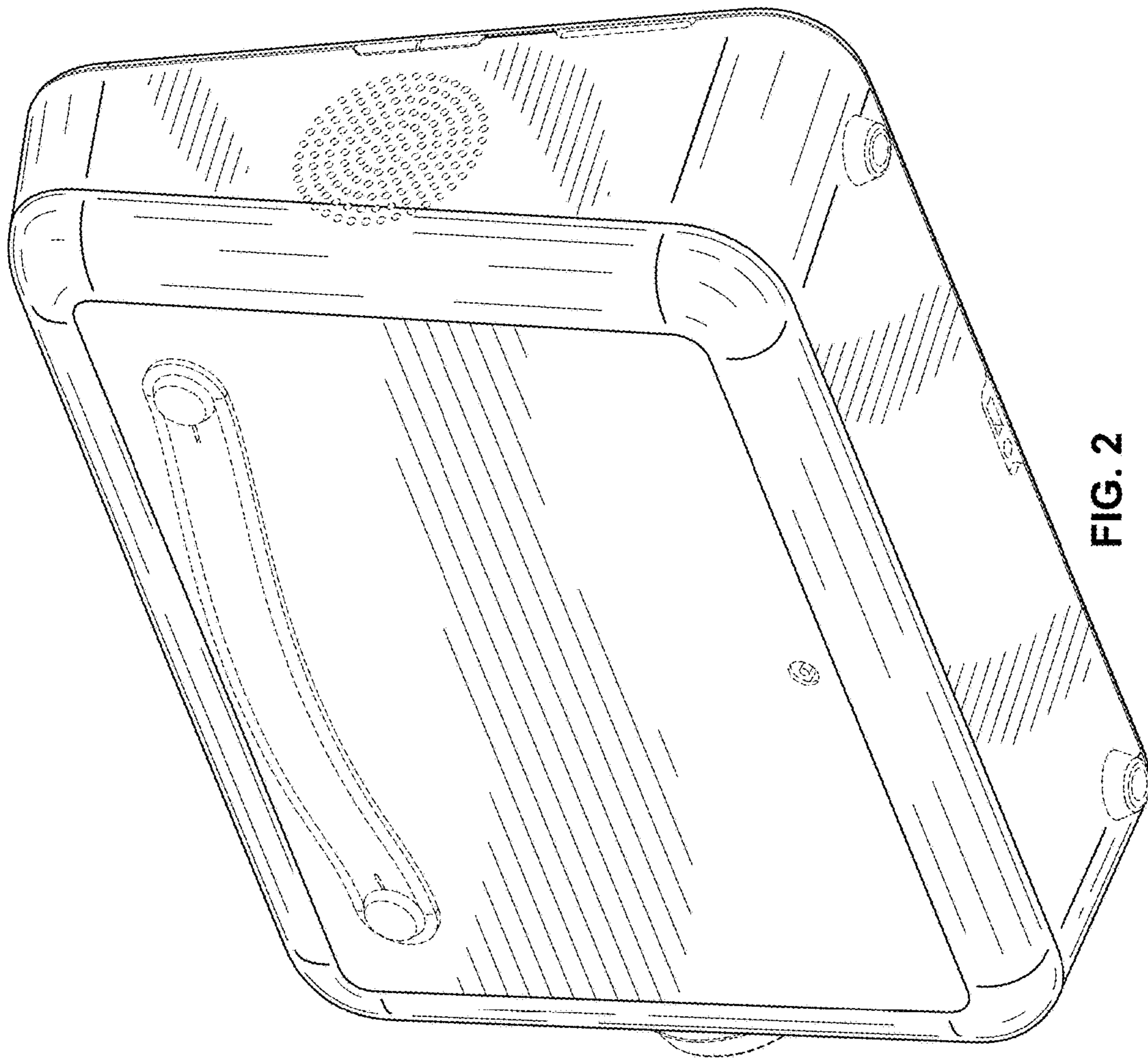


FIG. 2

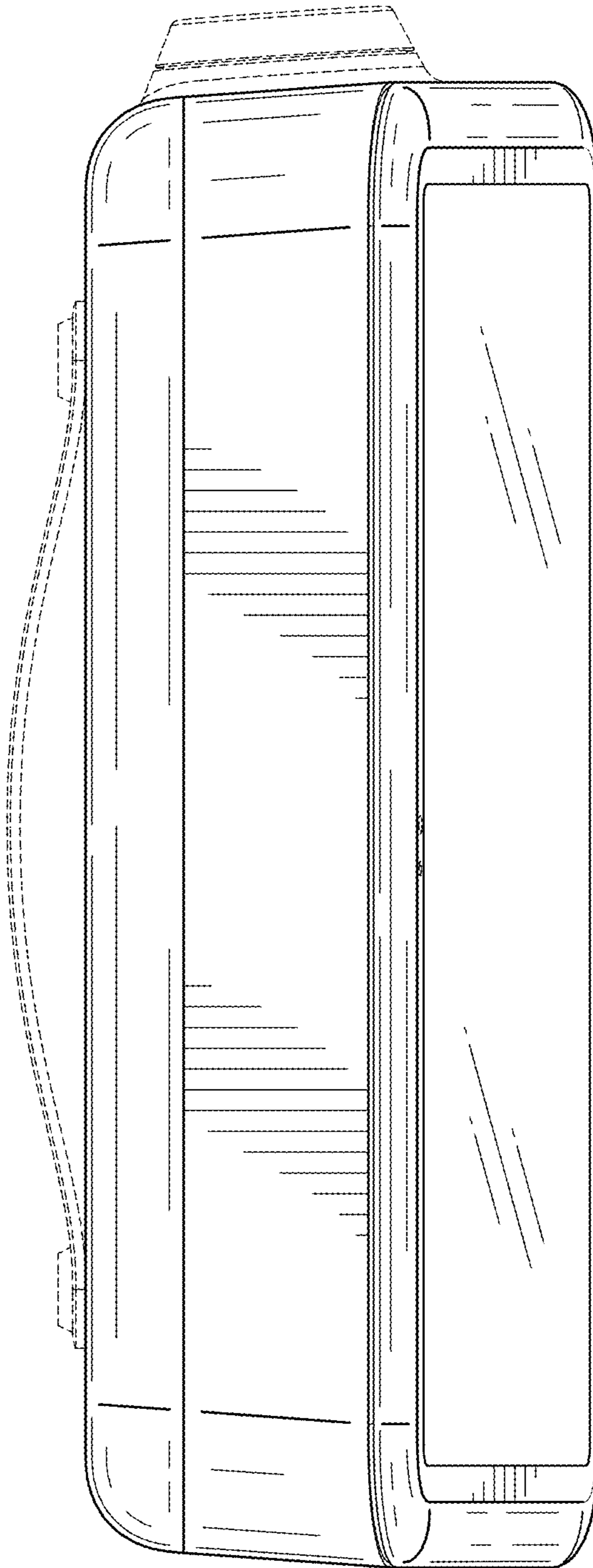


FIG. 3



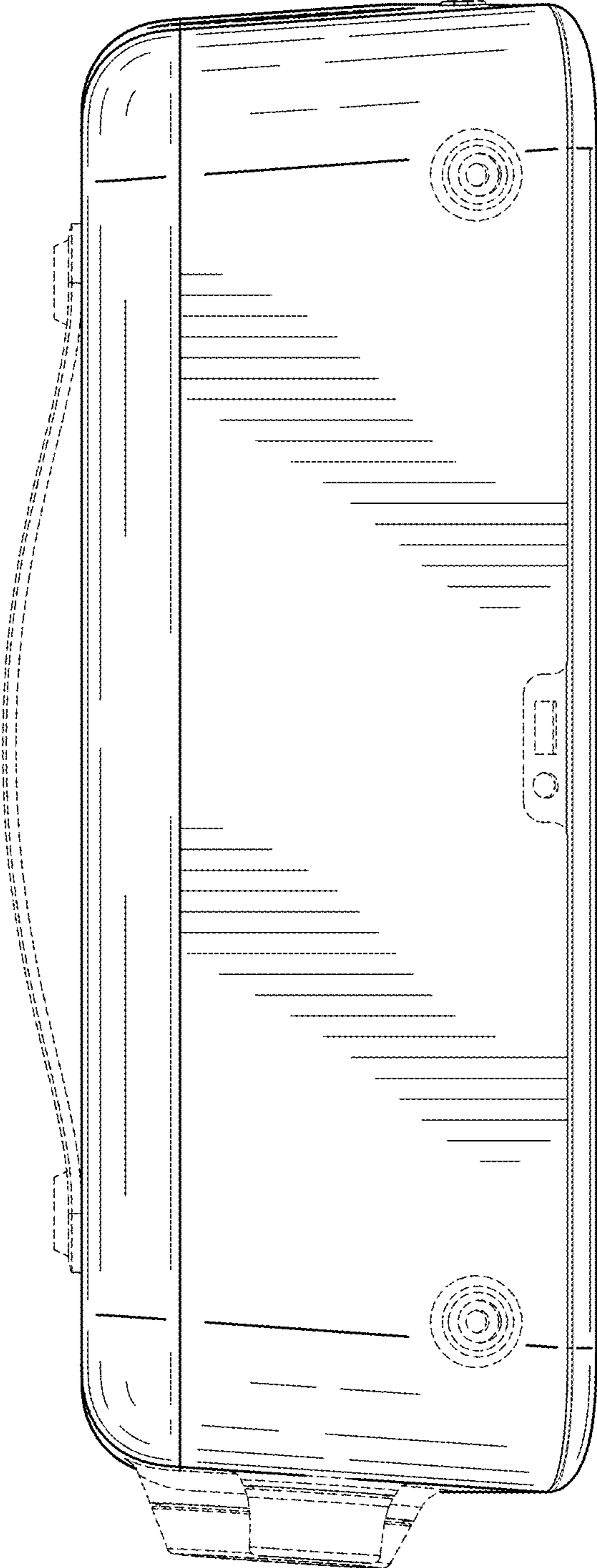


FIG. 4

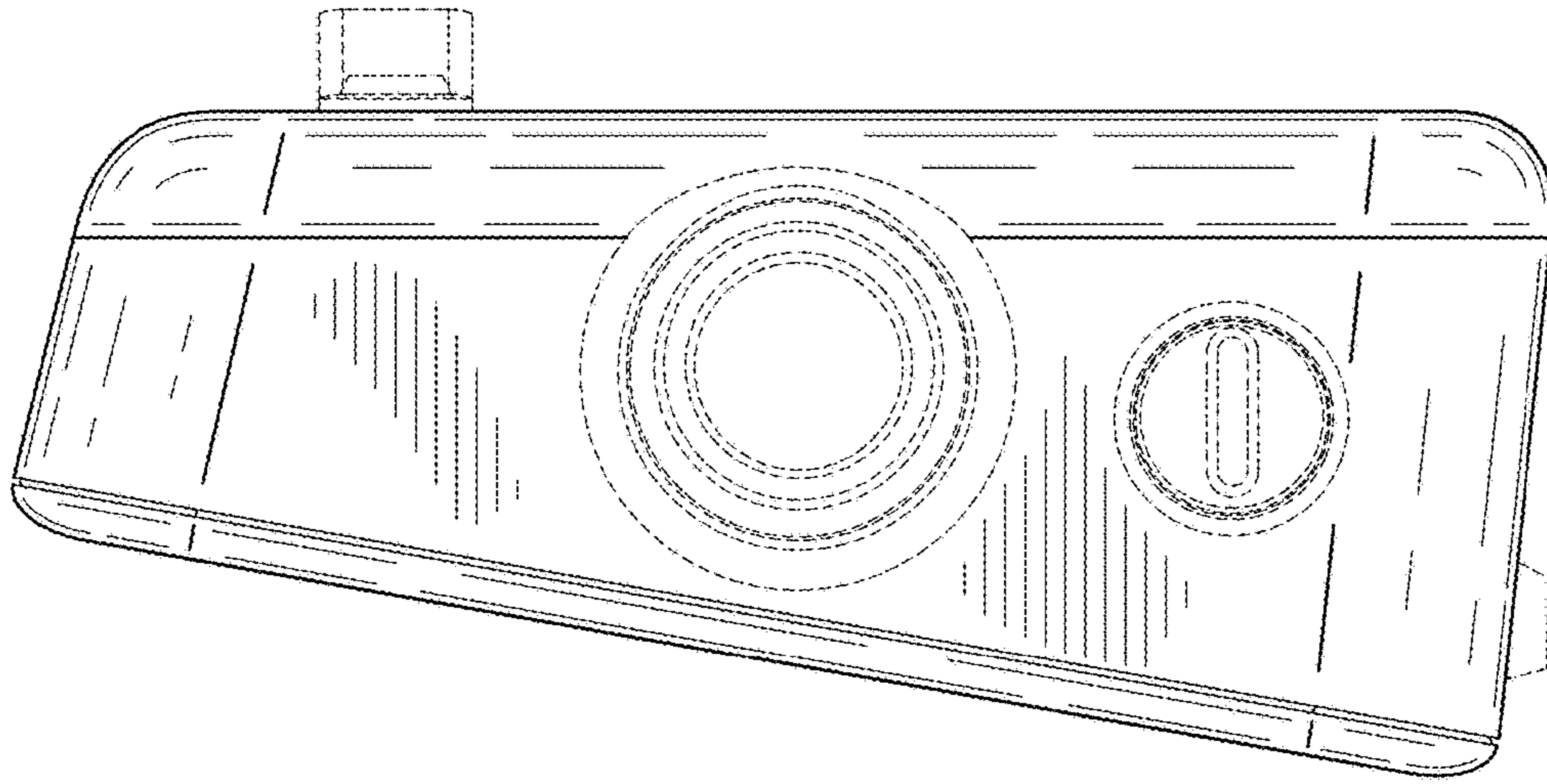


FIG. 6

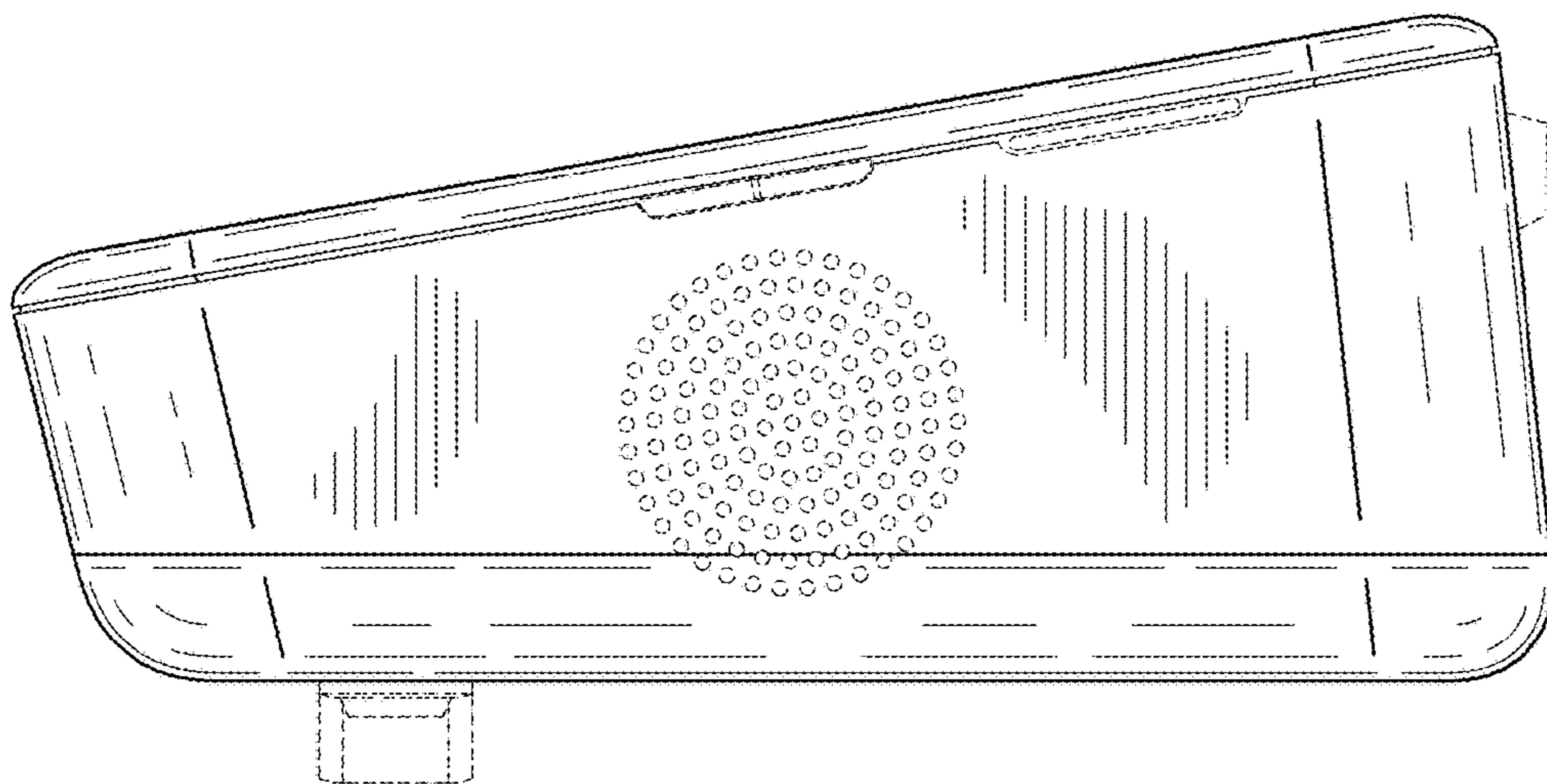


FIG. 5

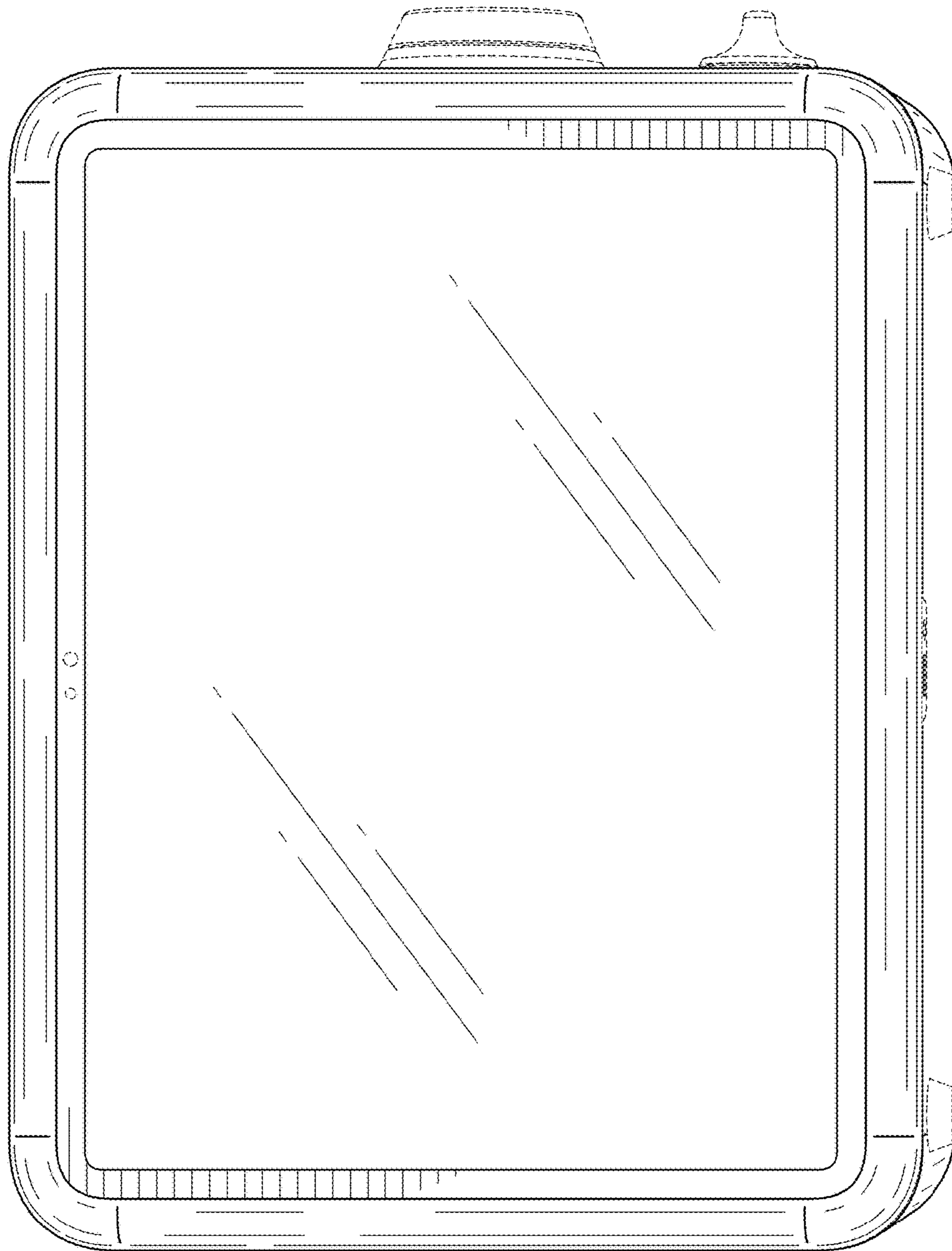


FIG. 7

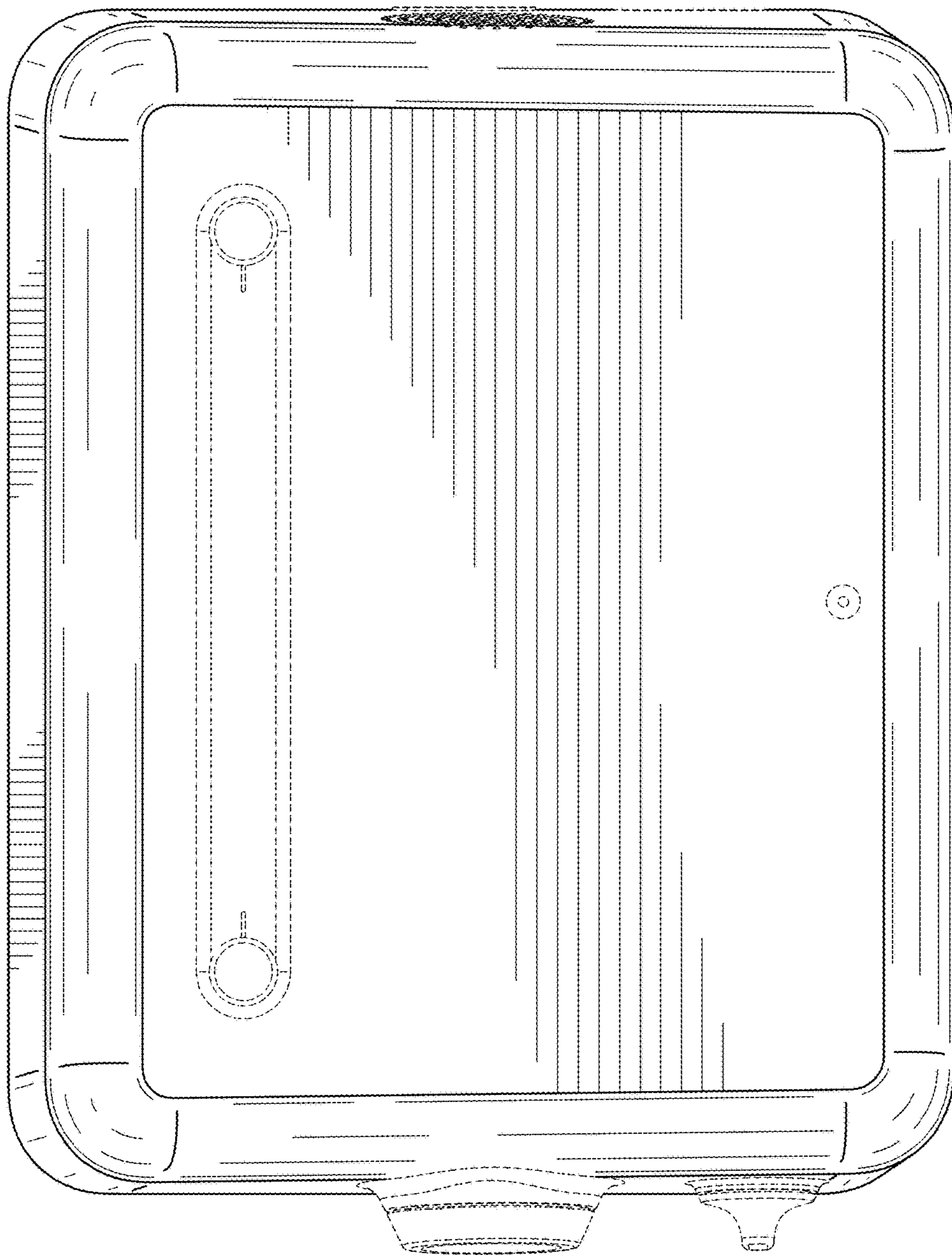


FIG. 8