



US00D836578S

(12) **United States Design Patent** (10) **Patent No.:** **US D836,578 S**
Kim et al. (45) **Date of Patent:** **** Dec. 25, 2018**

(54) **AUDIO VISUAL BOX FOR A TELEVISION RECEIVER**

(71) Applicant: **LG ELECTRONICS INC.**, Seoul (KR)

(72) Inventors: **Yooseok Kim**, Seoul (KR); **Sunha Park**, Seoul (KR); **Younsoo Kim**, Seoul (KR); **Byungmu Huh**, Seoul (KR)

(73) Assignee: **LG ELECTRONICS INC.**, Seoul (KR)

(**) Term: **15 Years**

(21) Appl. No.: **35/503,195**

(22) Filed: **Dec. 12, 2016**

(80) **Hague Agreement Data**

Int. Filing Date: **Dec. 12, 2016**
Int. Reg. No.: **DM/093973**
Int. Reg. Date: **Dec. 12, 2016**
Int. Reg. Pub. Date: **Jun. 16, 2017**

(30) **Foreign Application Priority Data**

Jun. 14, 2016 (KR) 30-2016-0028732

(51) **LOC (11) Cl.** **14-03**

(52) **U.S. Cl.**
USPC **D14/125**

(58) **Field of Classification Search**

USPC D14/125, 172, 194, 357-358, 496, 188, D14/204, 221, 242, 432; D13/184
CPC H05K 5/02; H05K 5/03; G06F 1/16
See application file for complete search history.

(56) **References Cited**

U.S. PATENT DOCUMENTS

D578,997 S * 10/2008 Takuma D14/172
D672,749 S * 12/2012 Onoue D14/214

D676,829 S * 2/2013 Kaneko D14/204
D685,349 S * 7/2013 Ohno D14/221
D721,352 S * 1/2015 Kusano D14/204
D754,629 S * 4/2016 Kim D14/204
D759,624 S * 6/2016 Byrd D14/204
D759,629 S * 6/2016 Kusano D14/214
D760,685 S * 7/2016 Sugiura D14/204
D765,054 S * 8/2016 Bast D14/204
D782,444 S * 3/2017 Koo D14/214
D788,062 S * 5/2017 Norrell D13/139.4
D815,609 S * 4/2018 Moreno D14/125

* cited by examiner

Primary Examiner — Michael A. Pratt

(74) *Attorney, Agent, or Firm* — Birch, Stewart, Kolasch & Birch, LLP

(57) **CLAIM**

The ornamental design for audio visual box for a television receiver, as shown and described.

DESCRIPTION

1. Audio visual box for a television receiver

1.1 : Perspective

1.2 : Front

1.3 : Back

1.4 : Left

1.5 : Right

1.6 : Top

1.7 : Bottom

1.8 : Perspective

1.9 : Front

1.10 : Back

1.11 : Left

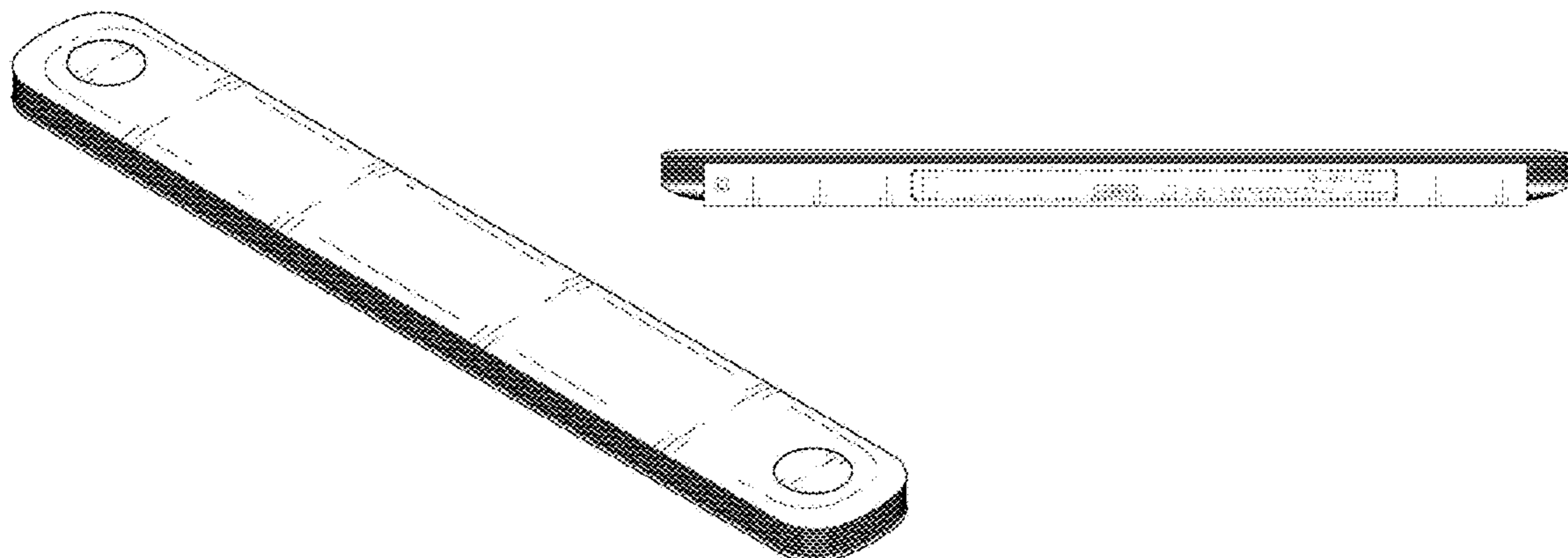
1.12 : Right

1.13 : Top

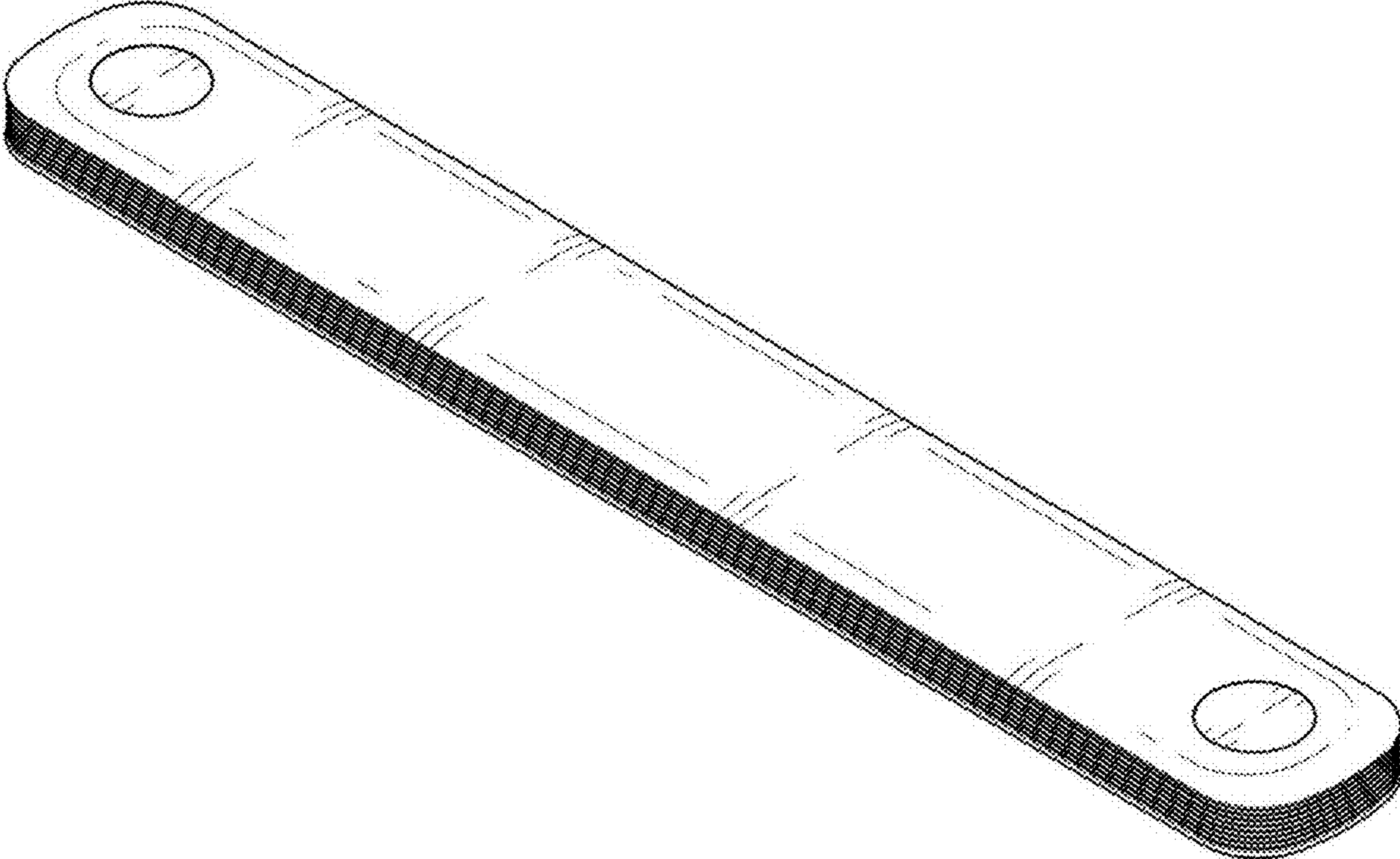
1.14 : Bottom

The broken lines shown in Figures 1.3, 1.6, 1.10 and 1.13 are for the purpose of illustrating portions of the audio visual box for a television receiver that form no part of the claimed design.

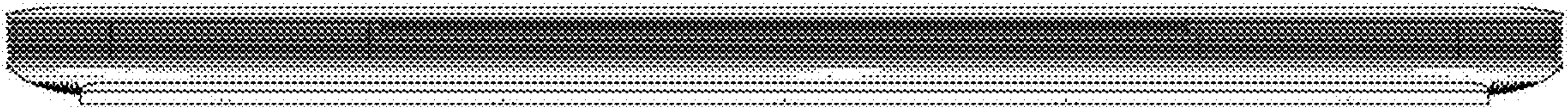
1 Claim, 14 Drawing Sheets



1.1



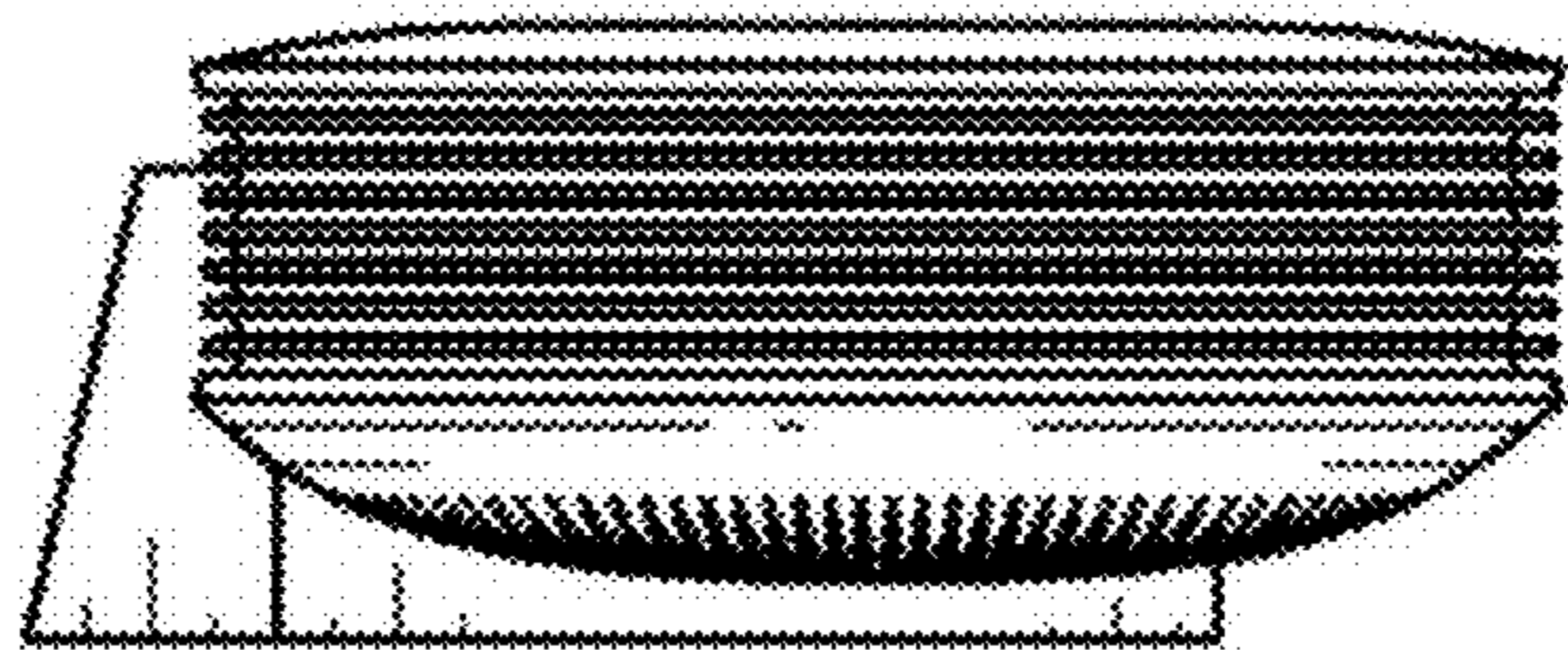
1.2



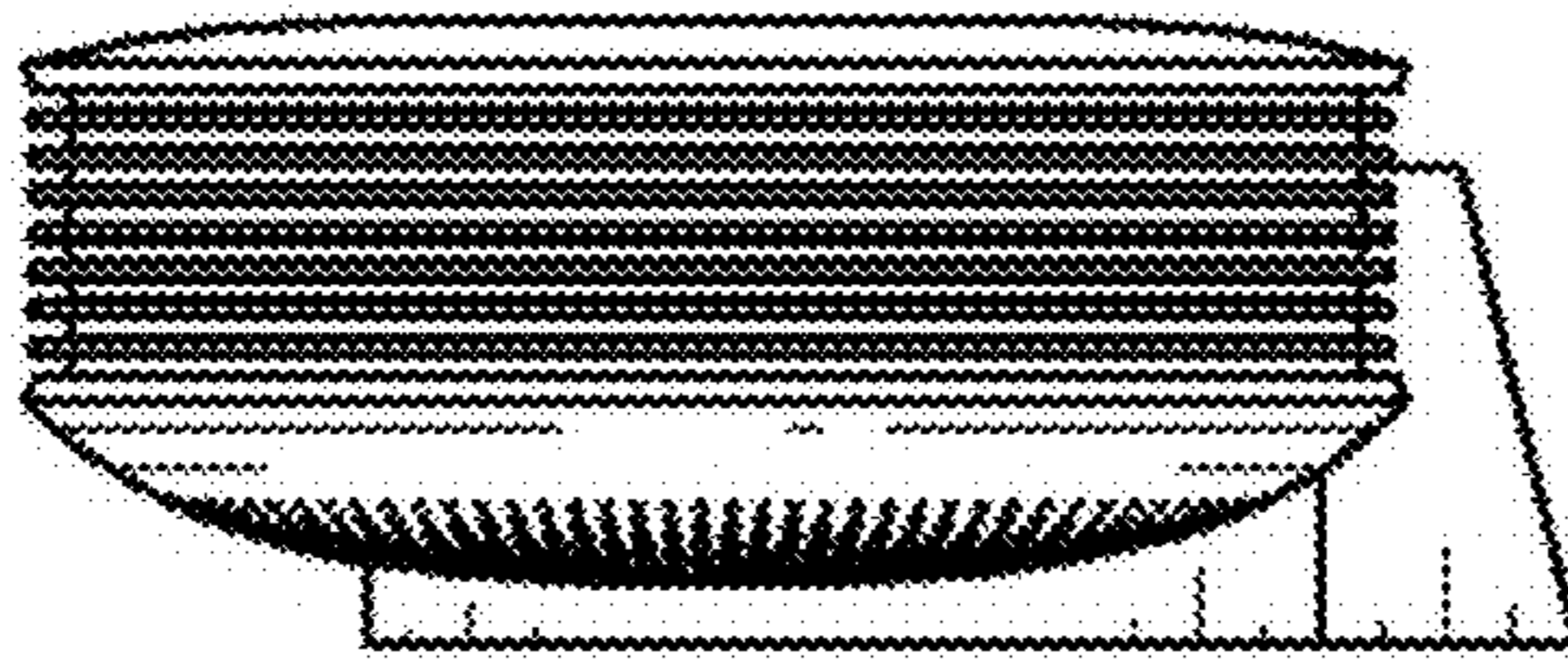
1.3



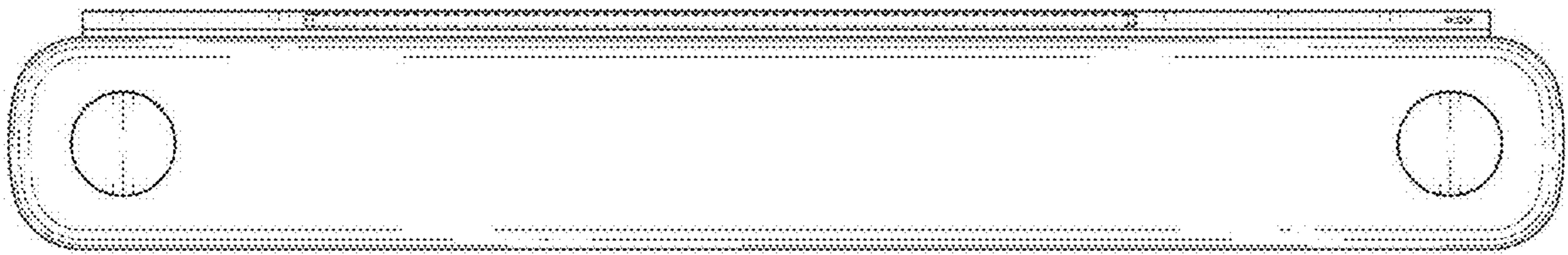
1.4



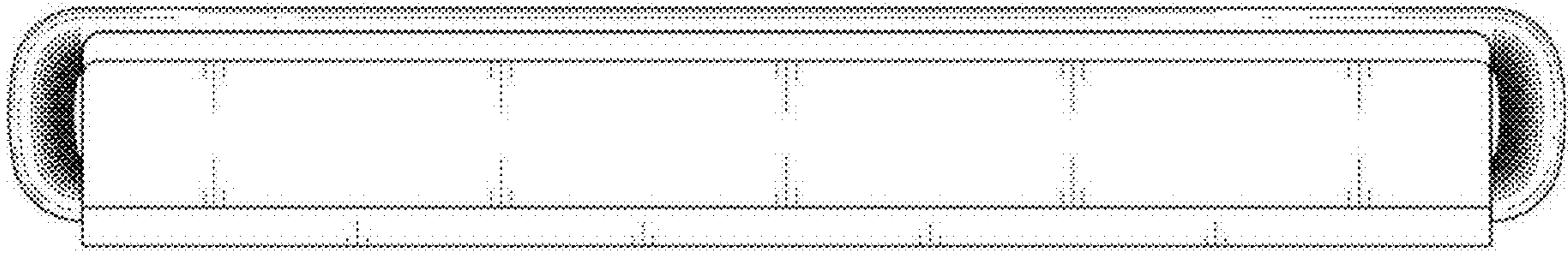
1.5



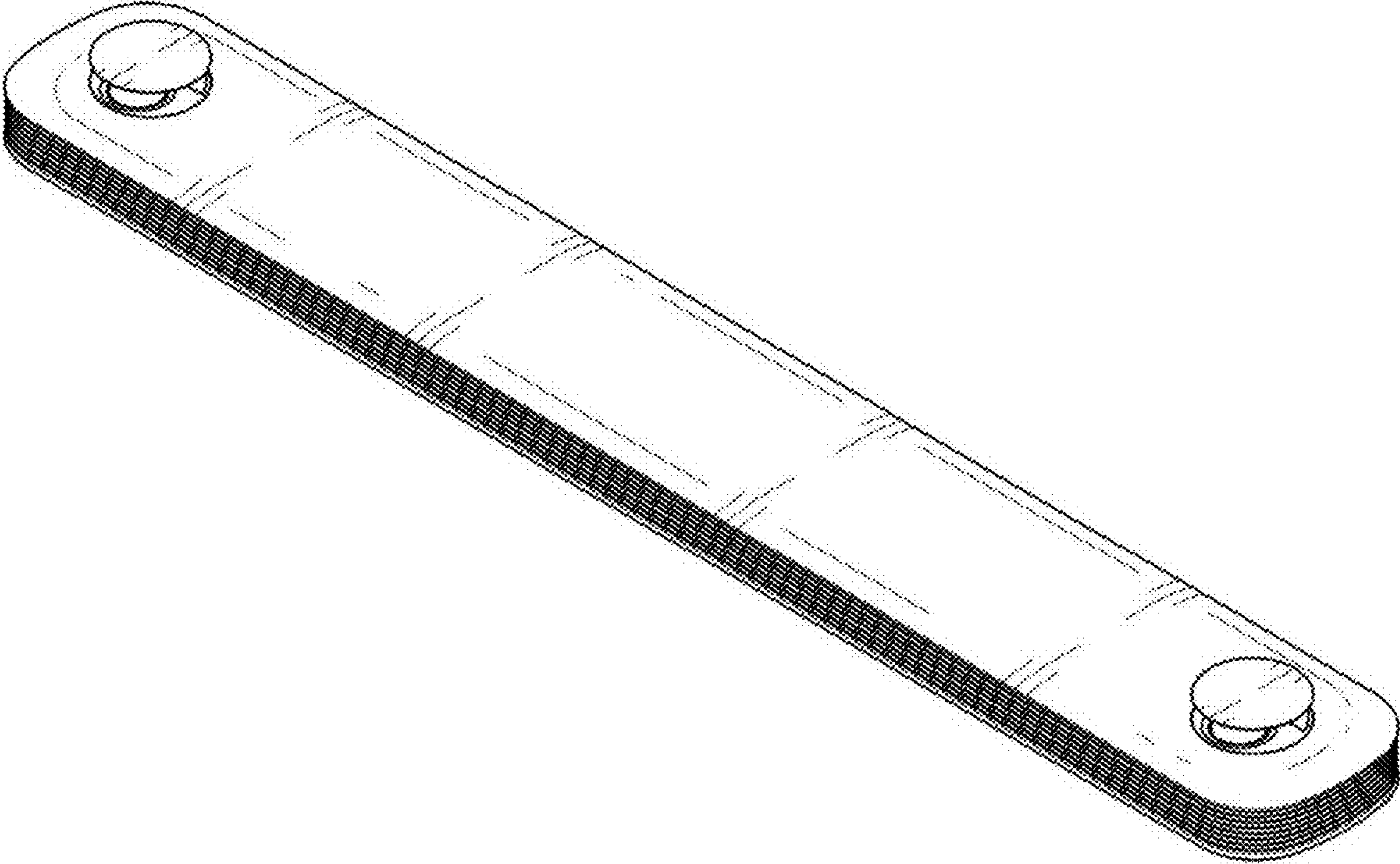
1.6



1.7



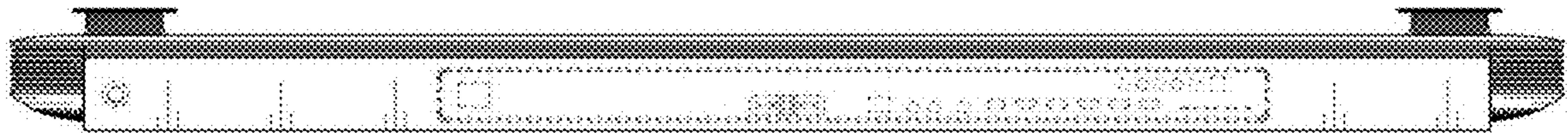
1.8



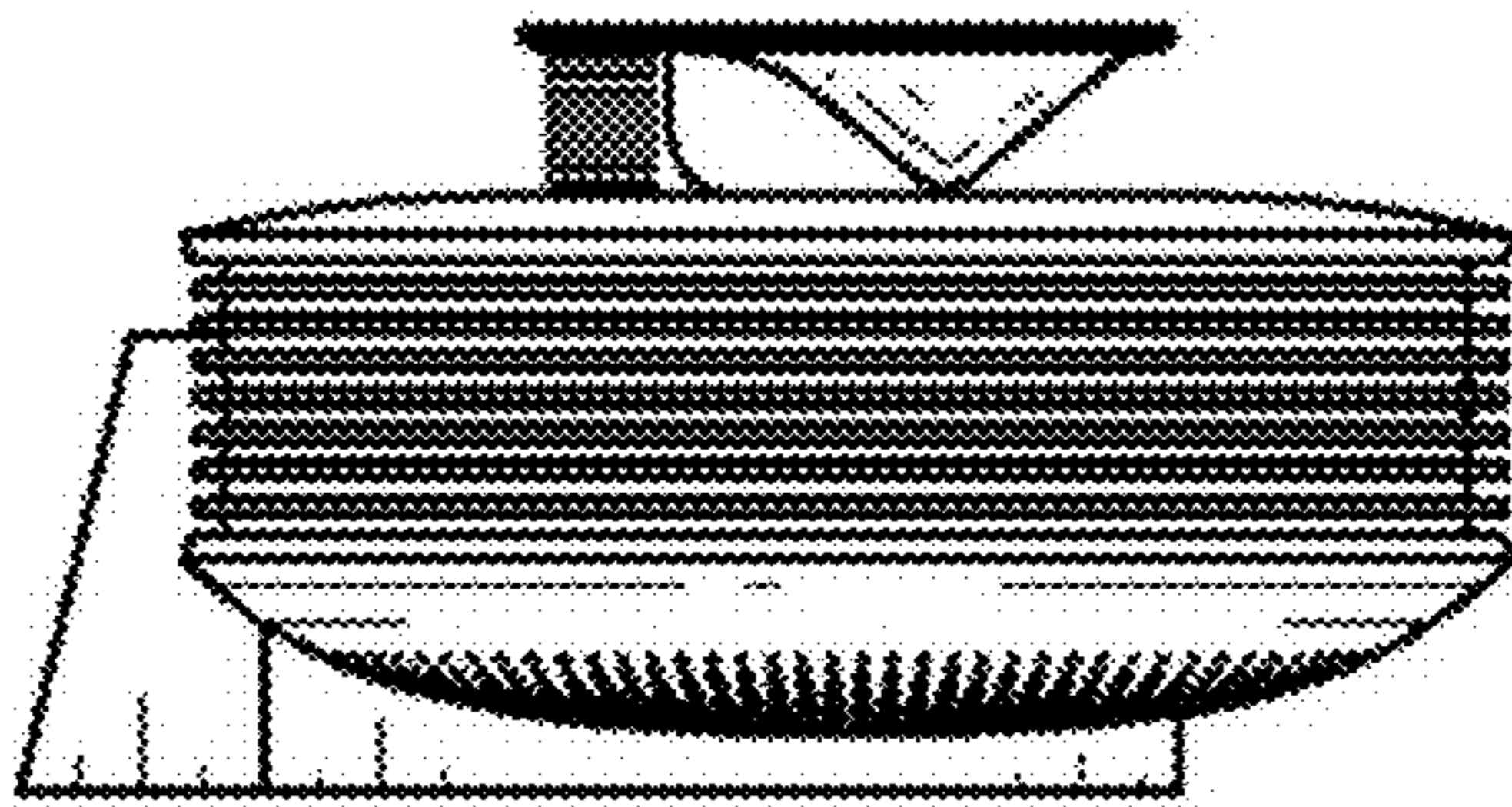
1.9



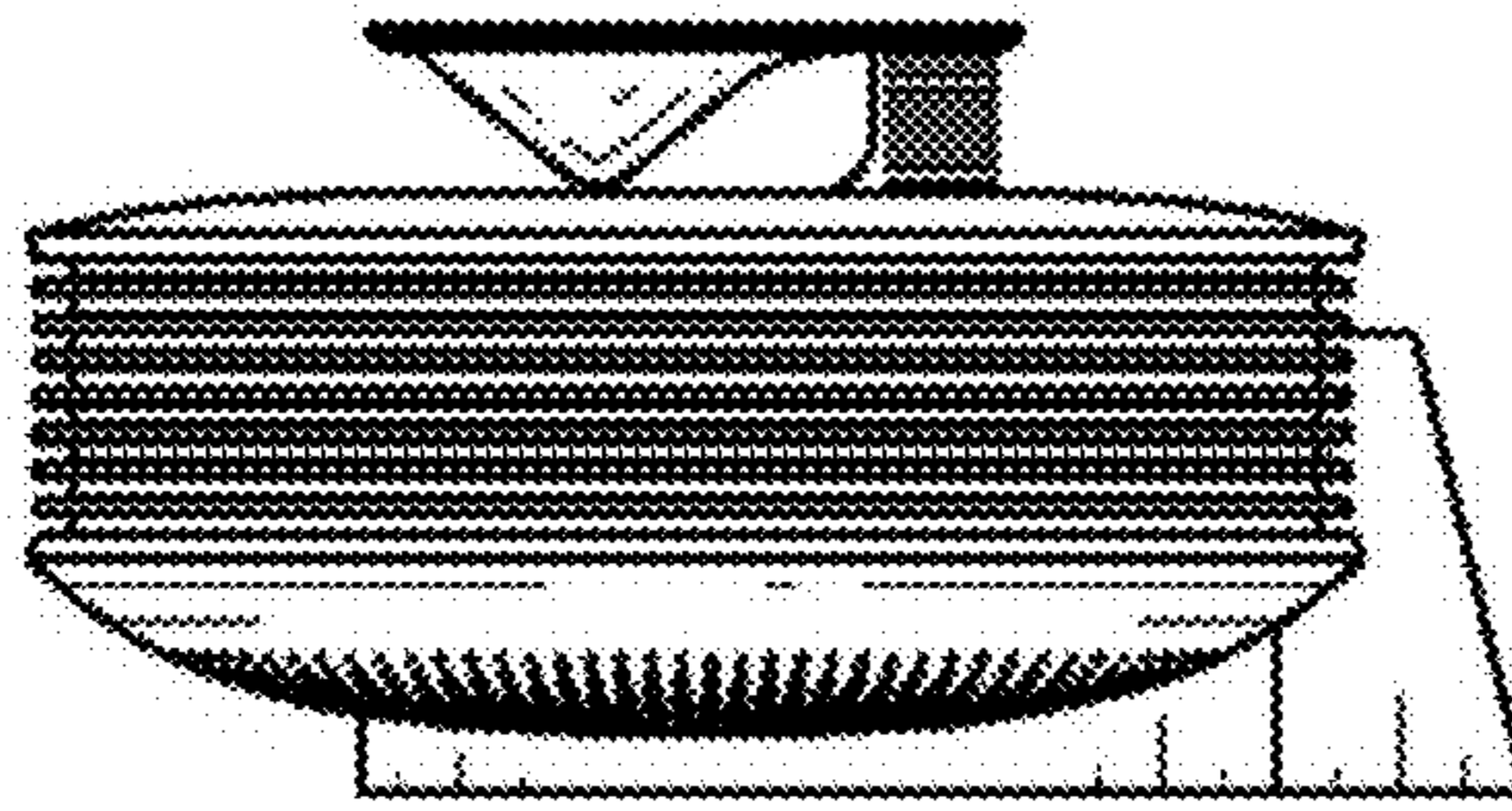
1.10



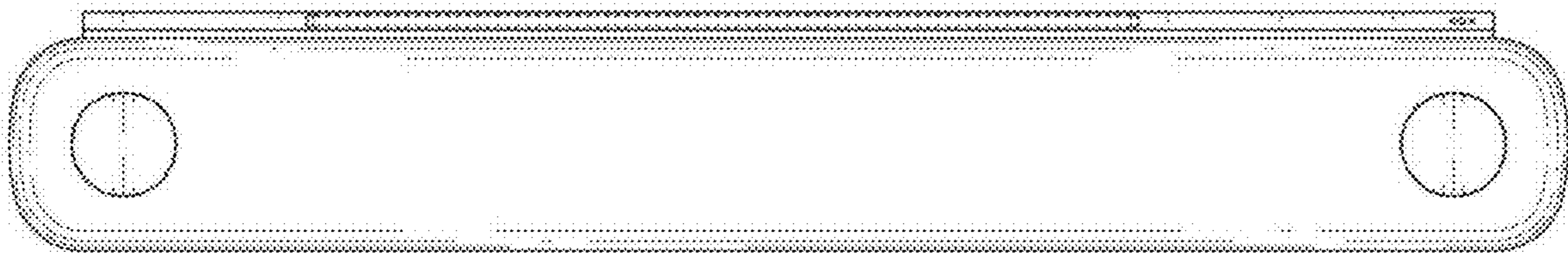
1.11



1.12



1.13



1.14

