



US00D836575S

(12) **United States Design Patent**  
**Kim et al.**

(10) **Patent No.:** **US D836,575 S**

(45) **Date of Patent:** **\*\* \*Dec. 25, 2018**

(54) **AUDIO VISUAL BOX FOR A TELEVISION RECEIVER**

CPC ..... H05K 5/02; H05K 5/03; G06F 1/16  
See application file for complete search history.

(71) Applicant: **LG ELECTRONICS INC.**, Seoul (KR)

(56) **References Cited**

(72) Inventors: **Yooseok Kim**, Seoul (KR); **Sunha Park**, Seoul (KR); **Younsoo Kim**, Seoul (KR); **Byungmu Huh**, Seoul (KR)

U.S. PATENT DOCUMENTS

(73) Assignee: **LG ELECTRONICS INC.**, Seoul (KR)

D483,349	S	*	12/2003	Murakami	.....	D14/215
D578,109	S	*	10/2008	Han	.....	D14/215
D578,997	S	*	10/2008	Takuma	.....	D14/172
D594,848	S	*	6/2009	Imawaki	.....	D14/172
D617,305	S	*	6/2010	Chen	.....	D14/168
D672,749	S	*	12/2012	Onoue	.....	D14/214
D689,460	S	*	9/2013	Chen	.....	D14/172
D706,748	S	*	6/2014	Hara	.....	D14/214
D714,763	S	*	10/2014	Woo	.....	D14/209.1
D716,265	S	*	10/2014	Park	.....	D14/215
D720,723	S	*	1/2015	Cho	.....	D14/215
D734,293	S	*	7/2015	Kim	.....	D14/204
D738,855	S	*	9/2015	Park	.....	D14/213
D750,045	S	*	2/2016	Wong	.....	D14/215
D759,624	S	*	6/2016	Byrd	.....	D14/204
D759,629	S	*	6/2016	Kusano	.....	D14/214
D760,685	S	*	7/2016	Sugiura	.....	D14/204
D765,054	S	*	8/2016	Bast	.....	D14/204

(\*) Notice: This patent is subject to a terminal disclaimer.

(\*\*) Term: **15 Years**

(21) Appl. No.: **35/503,184**

(22) Filed: **Dec. 12, 2016**

*Primary Examiner* — Michael A. Pratt

(80) **Hague Agreement Data**

Int. Filing Date: **Dec. 12, 2016**

Int. Reg. No.: **DM/093966**

Int. Reg. Date: **Dec. 12, 2016**

Int. Reg. Pub. Date: **Jun. 16, 2017**

(74) *Attorney, Agent, or Firm* — Birch, Stewart, Kolasch & Birch, LLP

(30) **Foreign Application Priority Data**

Jun. 14, 2016 (KR) ..... 30-2016-0028738

(51) **LOC (11) Cl.** ..... **14-03**

(52) **U.S. Cl.**  
USPC ..... **D14/125**

(58) **Field of Classification Search**  
USPC ..... D14/125, 172, 194, 357-358, 496, 188,  
D14/204, 221, 242, 432

(Continued)

(57) **CLAIM**

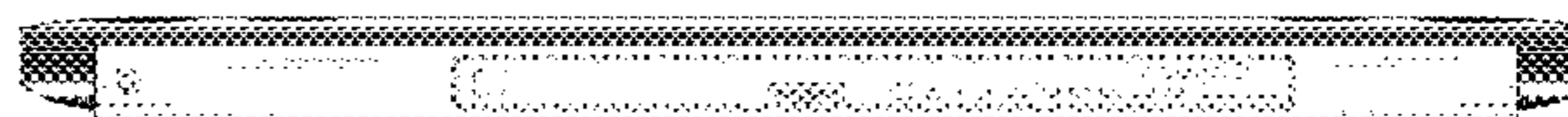
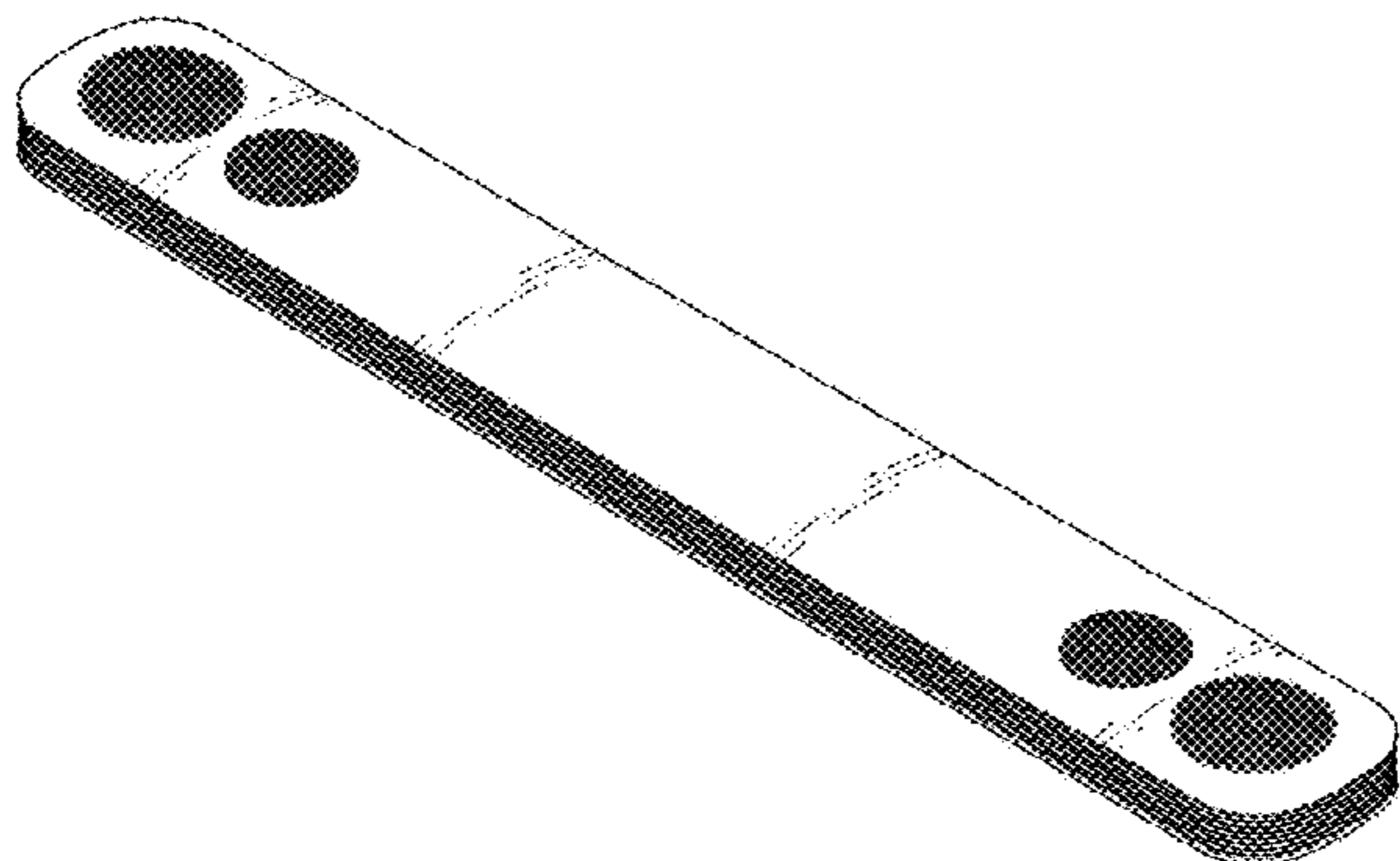
The ornamental design for audio visual box for a television receiver, as shown and described.

**DESCRIPTION**

1. Audio visual box for a television receiver

- 1.1 : Perspective
- 1.2 : Front
- 1.3 : Back
- 1.4 : Left
- 1.5 : Right
- 1.6 : Top
- 1.7 : Bottom
- 1.8 : Enlarged

(Continued)



The broken lines shown in Figures 1.3 and 1.6 are for the purpose of illustrating portions of the audio visual box for a television receiver that form no part of the claimed design.

**1 Claim, 8 Drawing Sheets**

(56)

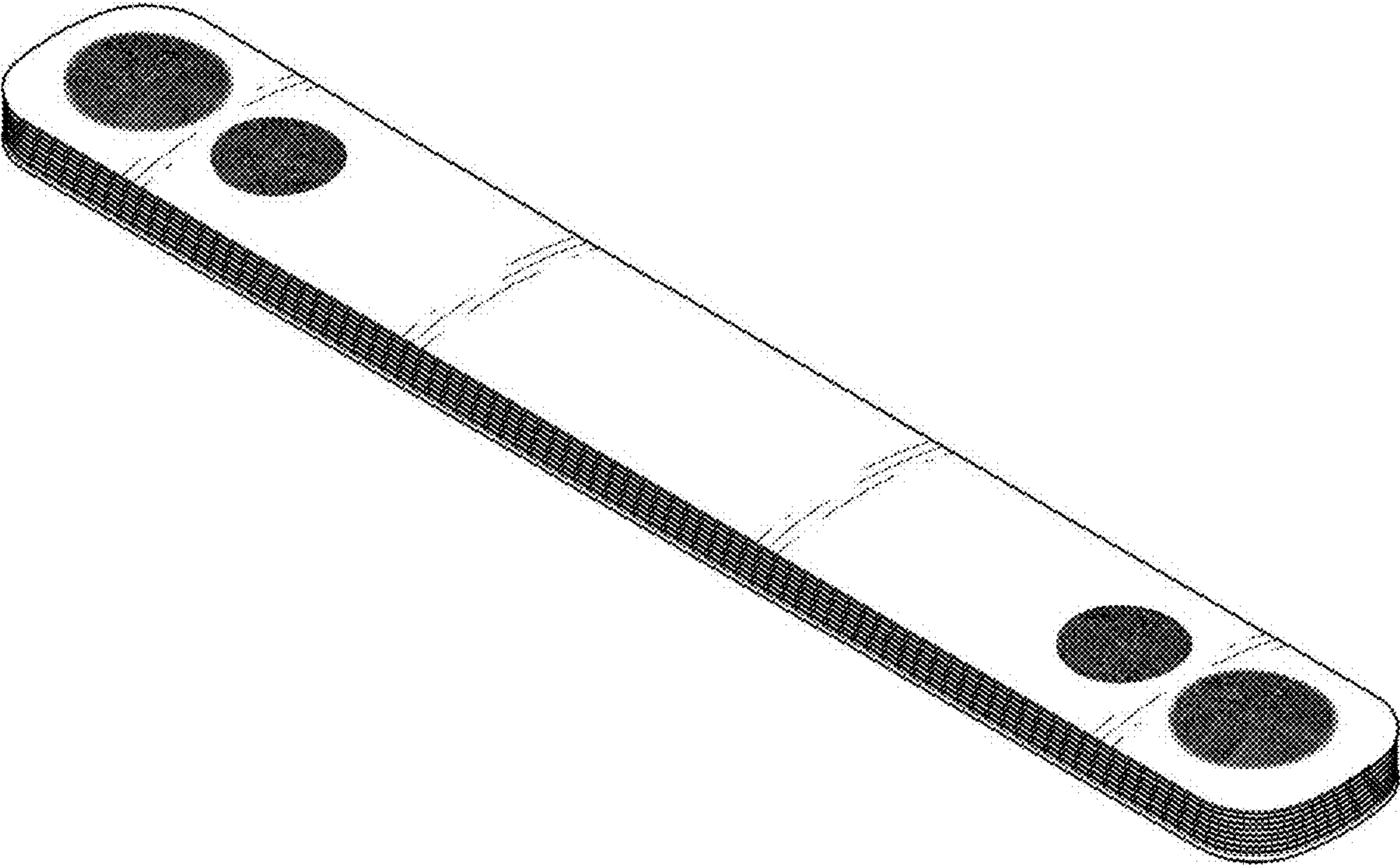
**References Cited**

U.S. PATENT DOCUMENTS

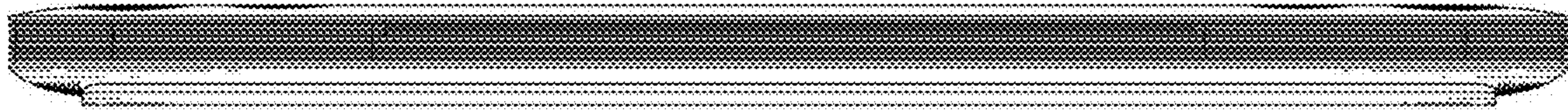
D782,444 S	*	3/2017	Koo .....	D14/214
D788,740 S	*	6/2017	DeVesto .....	D14/172
D800,690 S	*	10/2017	Groves, Jr. ....	D14/204

\* cited by examiner

1.1



1.2



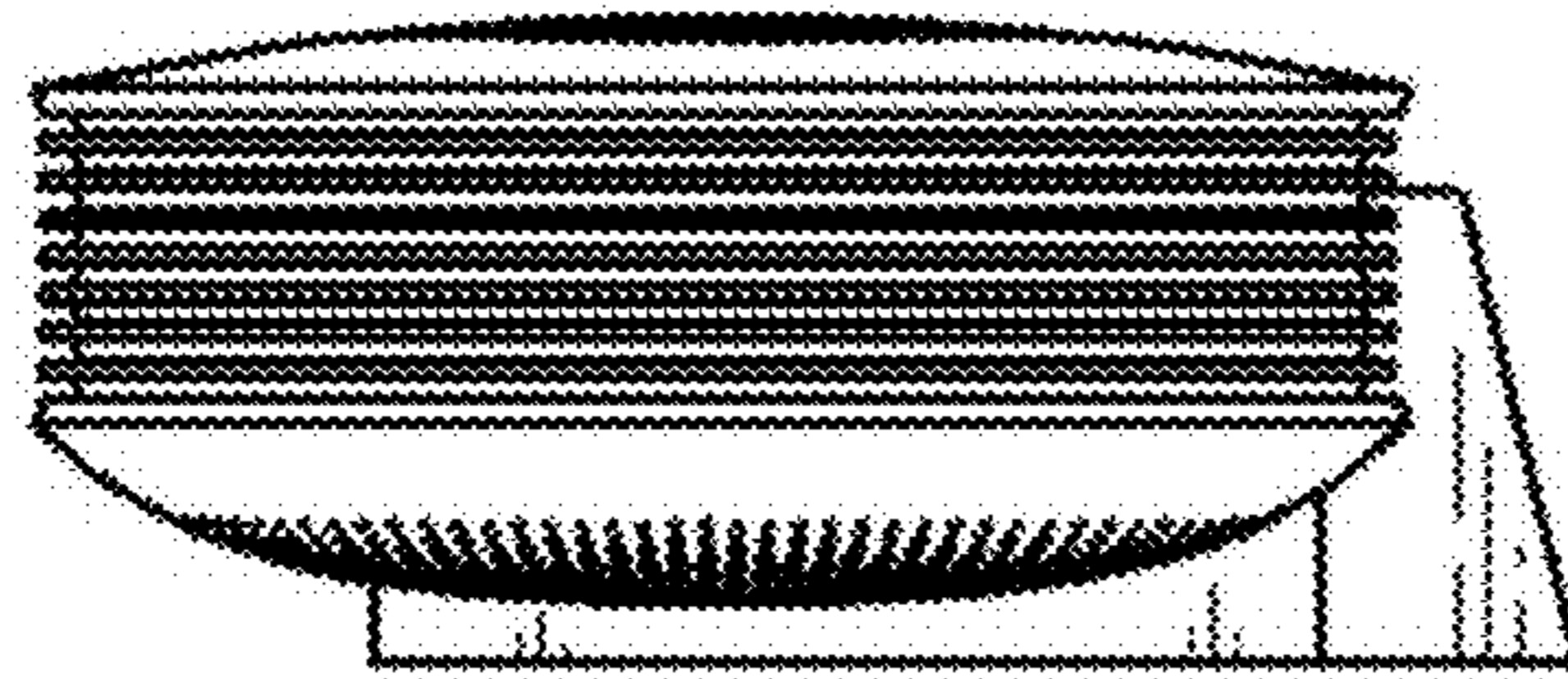
1.3



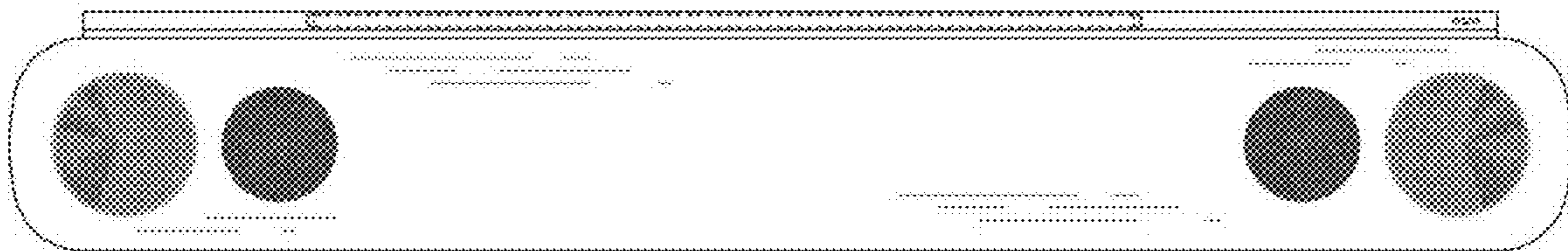
1.4



1.5

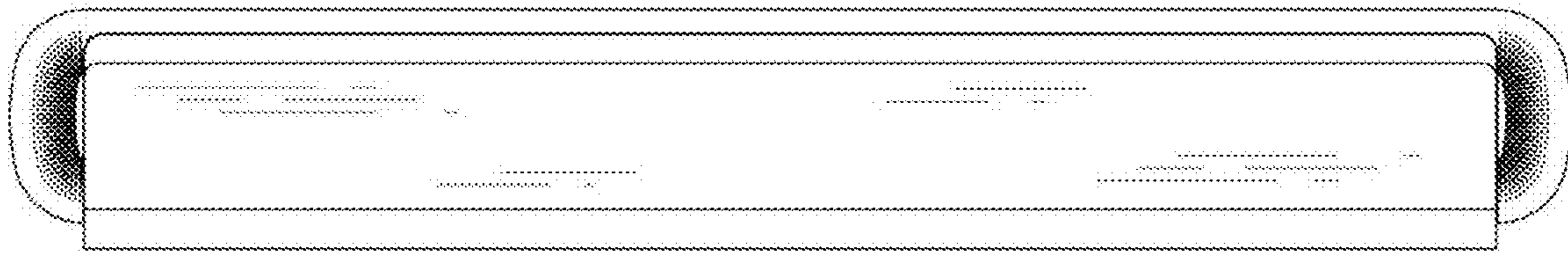


1.6





1.7



1.8

