

US00D836570S

(12) **United States Design Patent**
Liu

(10) **Patent No.:** **US D836,570 S**

(45) **Date of Patent:** **** Dec. 25, 2018**

(54) **SWITCH**

(71) Applicant: **Juluon Enterprise Co., Ltd.**, New Taipei (TW)

(72) Inventor: **Tung-Kang Liu**, New Taipei (TW)

(73) Assignee: **Juluon Enterprise Co., Ltd.**, New Taipei (TW)

(**) Term: **15 Years**

(21) Appl. No.: **29/630,189**

(22) Filed: **Dec. 20, 2017**

(51) **LOC (11) Cl.** **13-03**

(52) **U.S. Cl.**
USPC **D13/171**

(58) **Field of Classification Search**
USPC D13/162, 164, 168, 171
CPC H01H 3/02; H01H 3/022; H01H 3/12;
H01H 3/122; H01H 9/02; H01H 9/0235;
H01H 13/023; H01H 13/04; H01H 13/06;
H01H 13/063; H01H 13/10; H01H 13/12;
H01H 13/14; H01H 13/36; H01H 13/70;
H01H 13/86; H01H 21/24; H01H 25/065
See application file for complete search history.

(56) **References Cited**

U.S. PATENT DOCUMENTS

D355,895 S * 2/1995 Soren D14/218
7,067,754 B2 * 6/2006 Weston H01H 13/06
200/314
D560,617 S * 1/2008 Poulet D13/158
D569,813 S * 5/2008 Charleux D13/168

D596,623 S * 7/2009 Laine D14/218
D621,795 S * 8/2010 Tsui D13/171
D638,806 S * 5/2011 Kim D13/168
D651,589 S * 1/2012 Fischer D14/218
D764,420 S * 8/2016 Naka D13/171
D784,959 S * 4/2017 Ikonen D14/218
D788,718 S * 6/2017 Tang D13/169
D805,482 S * 12/2017 McRoberts D13/168
D811,351 S * 2/2018 O'Connell D13/168
10,026,569 B2 * 7/2018 Danowski H01H 13/70
D824,863 S * 8/2018 McRoberts D13/168
D828,309 S * 9/2018 Tang D13/171
2004/0140190 A1 * 7/2004 Searle H01H 3/122
200/341
2017/0287657 A1 * 10/2017 Naka H01H 13/18

* cited by examiner

Primary Examiner — Selina Sikder

(74) *Attorney, Agent, or Firm* — Winston Hsu

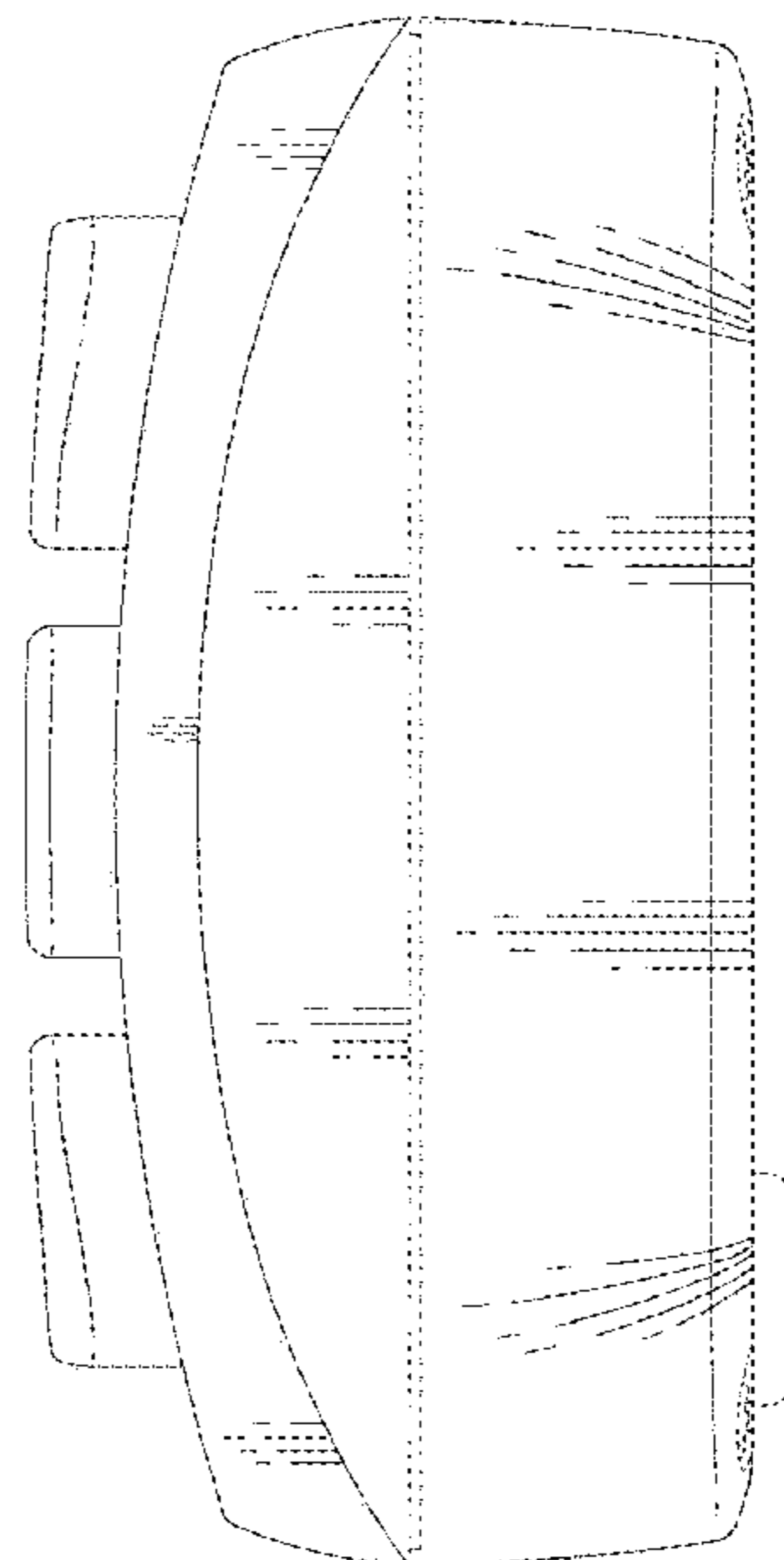
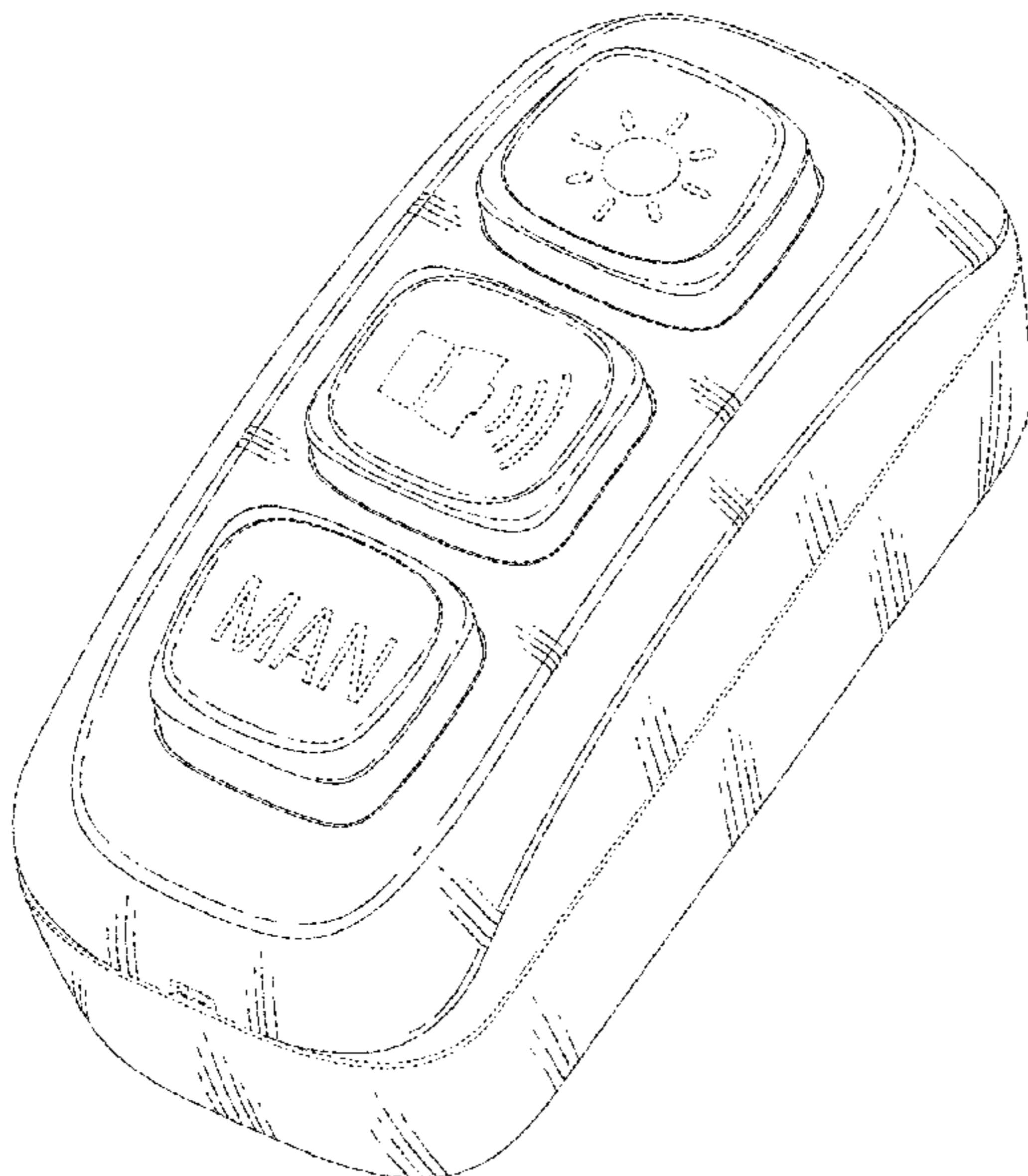
(57) **CLAIM**

The ornamental design for a switch, as shown and described.

DESCRIPTION

FIG. 1 is a perspective view of a switch showing my new design;
FIG. 2 is a front view thereof;
FIG. 3 is a rear view thereof;
FIG. 4 is a left side view thereof;
FIG. 5 is a right side view thereof;
FIG. 6 is a top view thereof; and,
FIG. 7 is a bottom view thereof.
The broken lines depict portions of the switch that form no part of the claimed design.

1 Claim, 7 Drawing Sheets



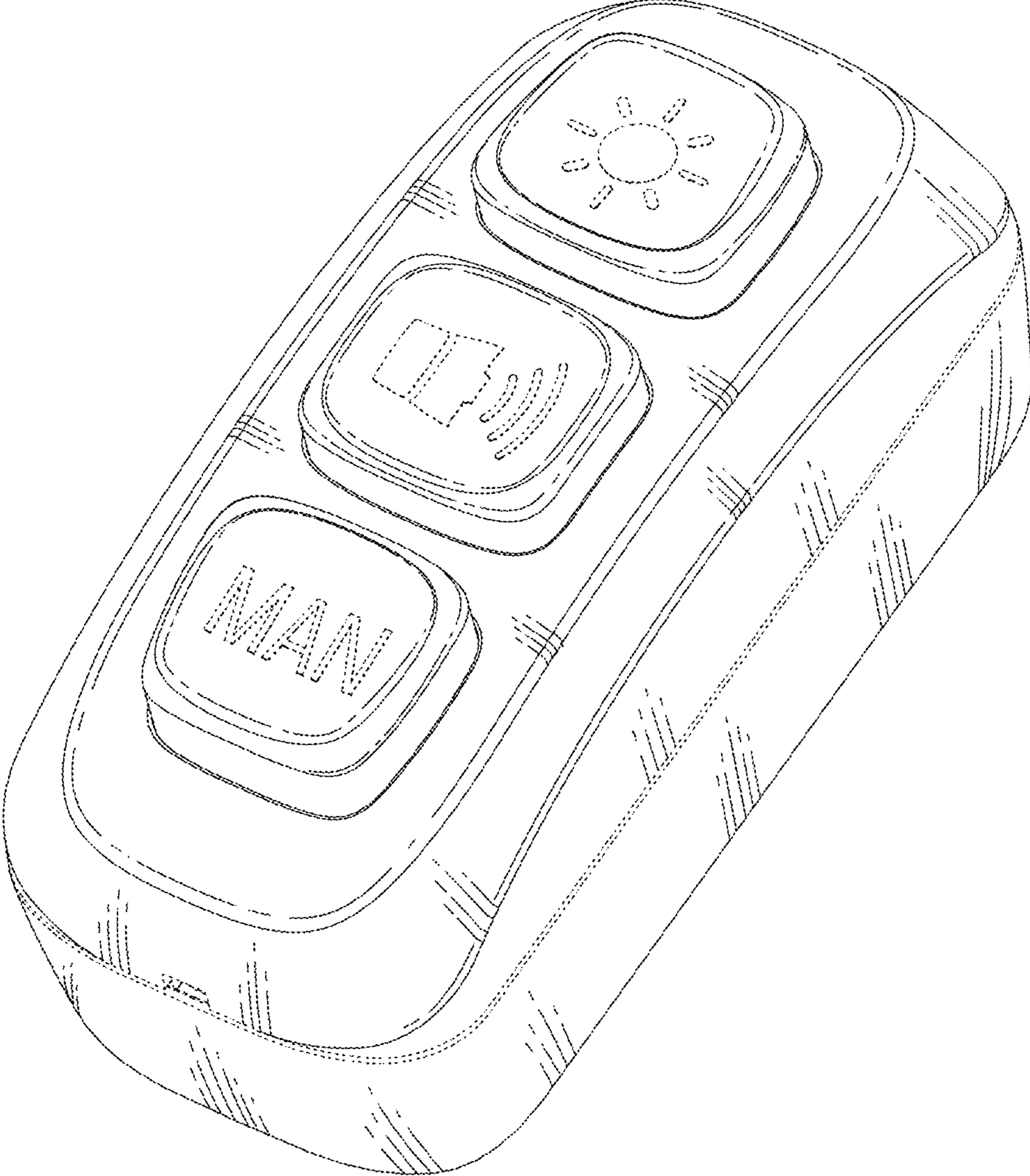


FIG. 1

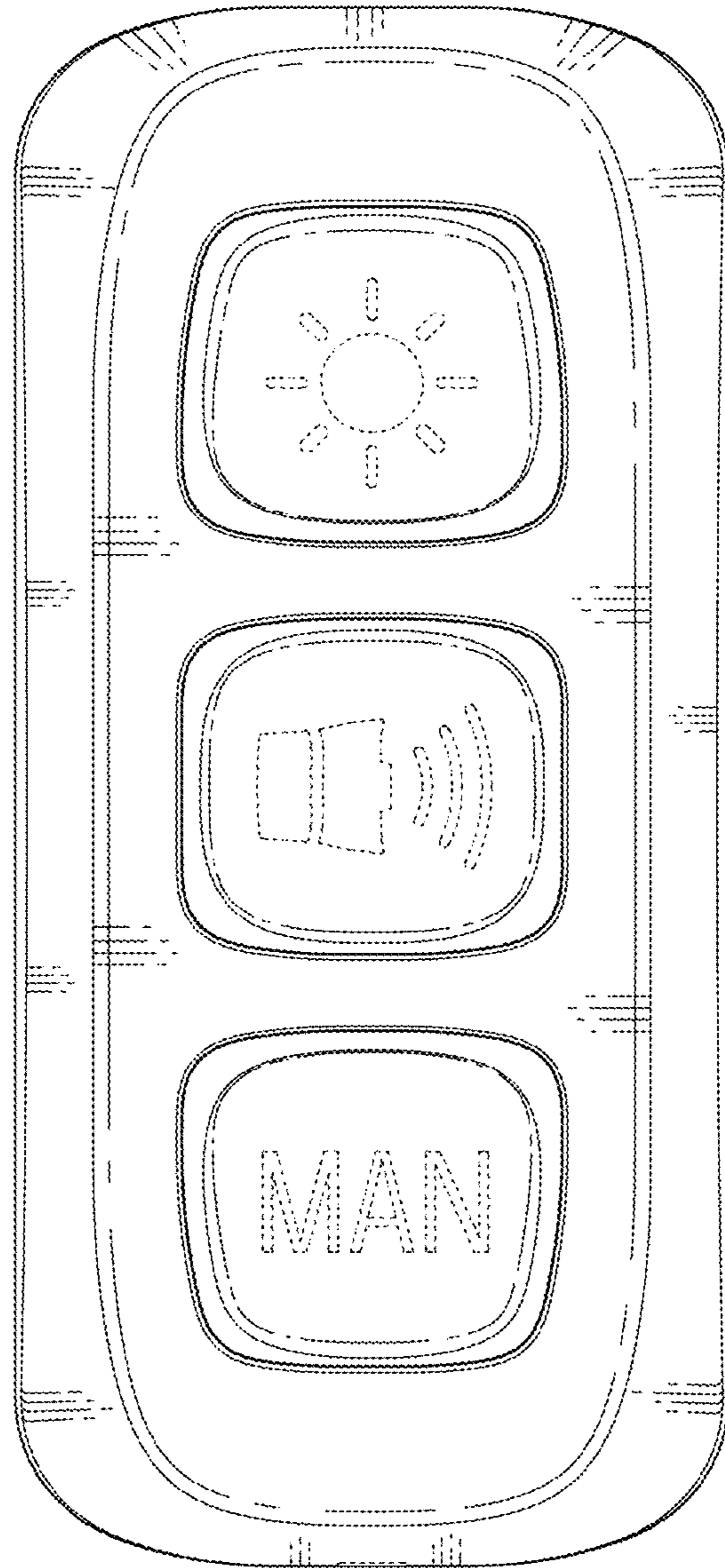


FIG. 2

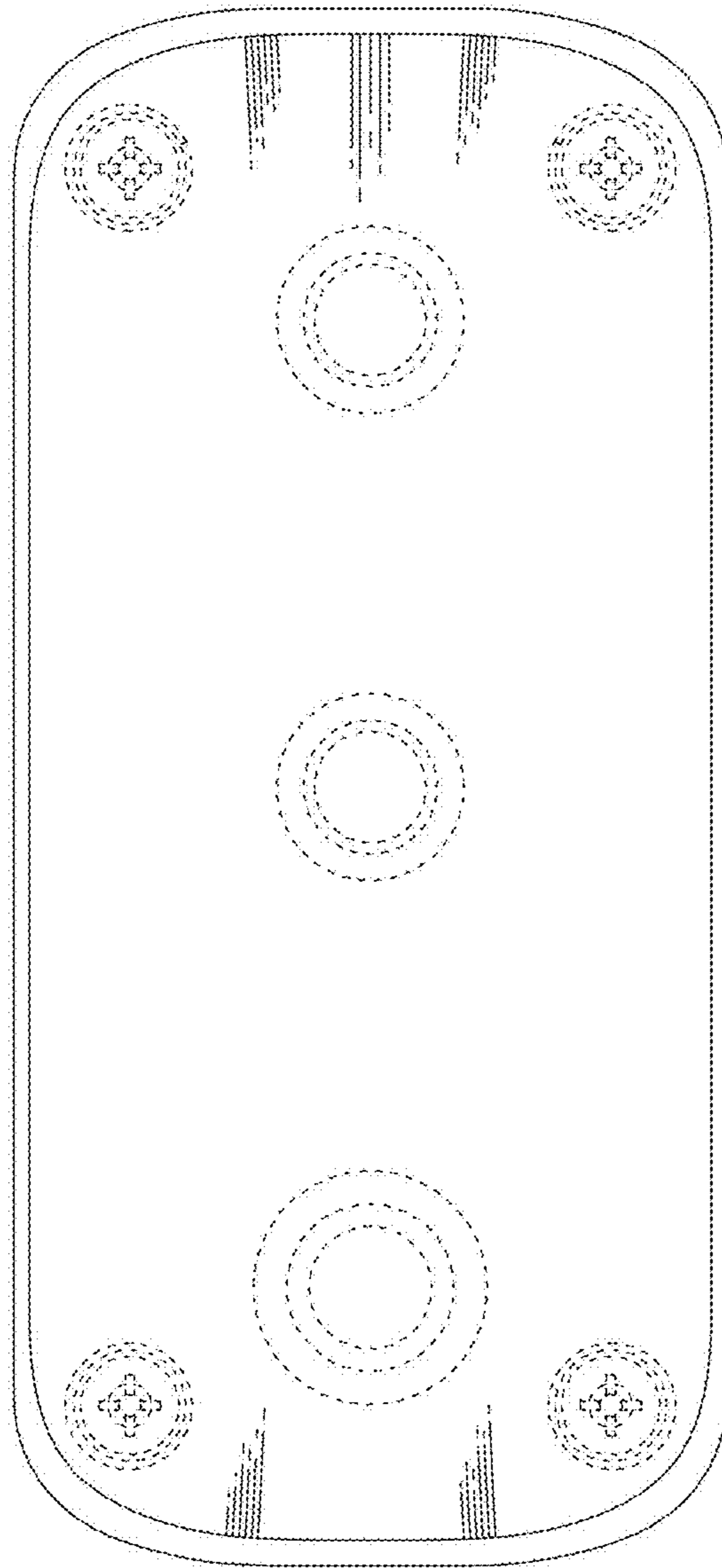


FIG. 3

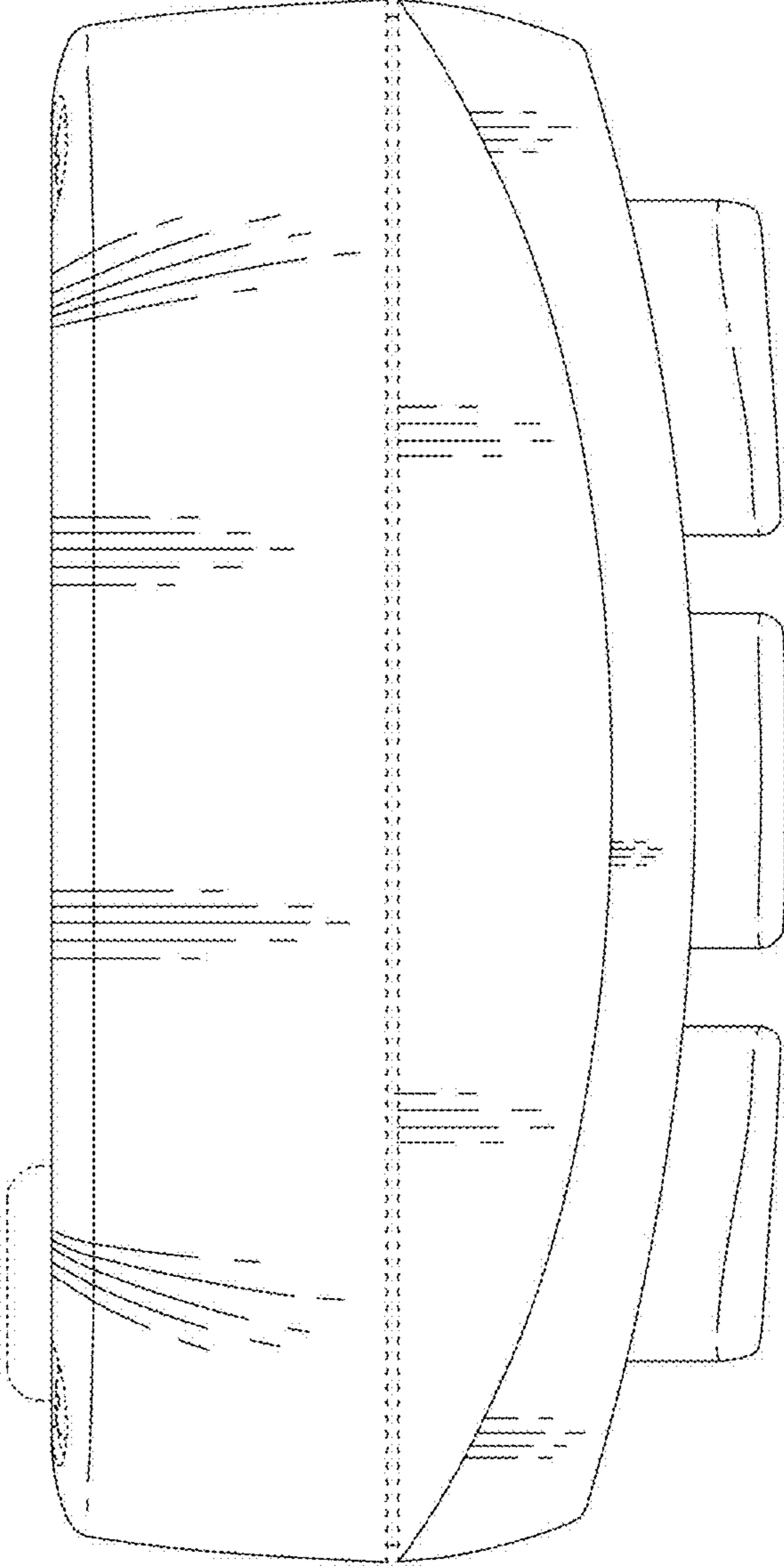


FIG. 4

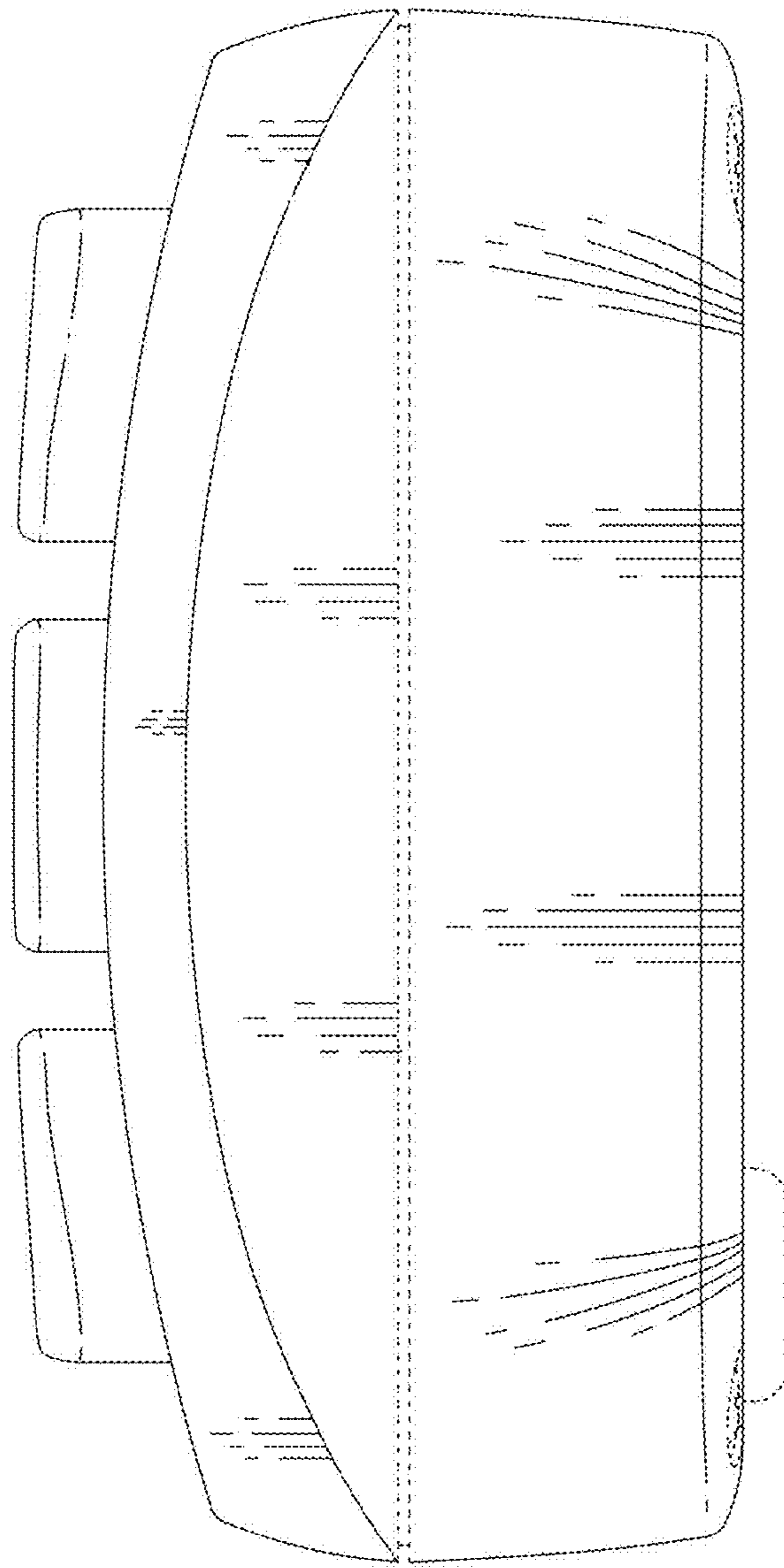


FIG. 5

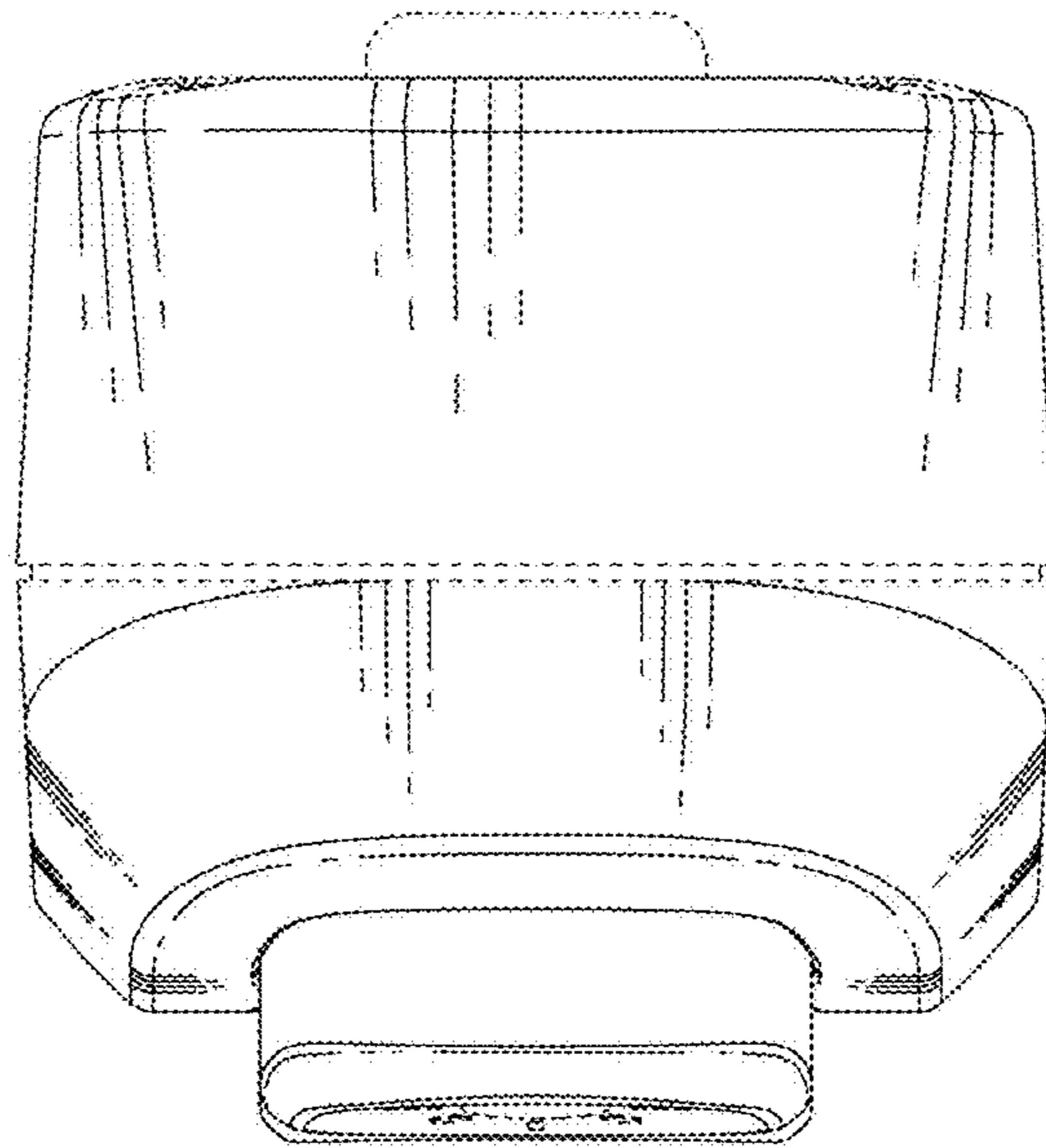


FIG. 6

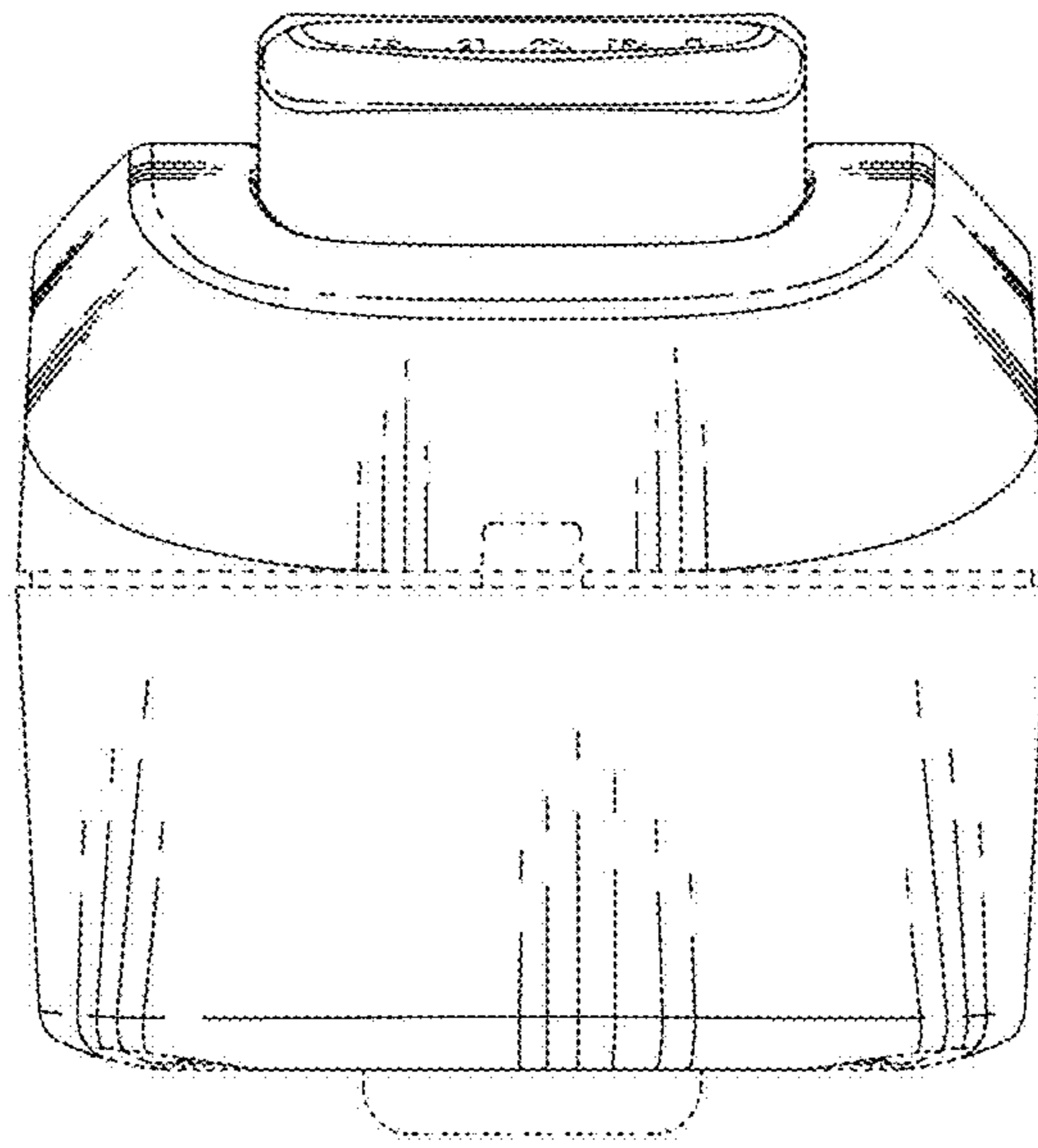


FIG. 7