



US00D836569S

(12) **United States Design Patent**
Kim

(10) **Patent No.:** **US D836,569 S**
(45) **Date of Patent:** **** Dec. 25, 2018**

(54) **HOME AUTOMATION REMOTE CONTROL UNIT**

(71) Applicant: **Coway Co., Ltd., Gongju-si (KR)**

(72) Inventor: **Young Jo Kim, Seoul (KR)**

(73) Assignee: **Coway Co., Ltd., Gongju-si, Choongcheongnam-do (KR)**

(**) Term: **15 Years**

(21) Appl. No.: **29/621,757**

(22) Filed: **Oct. 11, 2017**

(30) **Foreign Application Priority Data**

Apr. 13, 2017 (KR) 30-2017-0017207

(51) **LOC (11) Cl.** **13-02**

(52) **U.S. Cl.**
USPC **D13/168; D14/240; D14/358**

(58) **Field of Classification Search**
USPC D13/162, 168, 184; D14/216, 218, 240, D14/356, 358; D10/23, 49, 50, 52; D16/202, 203; D21/398
CPC H03J 1/0025; H03J 9/00; H03J 9/02; H03J 9/04; H03J 9/06; H04B 1/202; G06F 1/181; G05B 11/01; G08C 17/00; G08C 17/02; H05K 7/1424; H05K 7/1427; H05K 7/16; H01Q 1/007; H04W 52/0206; H04W 88/08; H04W 88/085; H04W 88/10; H04W 88/12; H04W 88/16; H04L 67/306
See application file for complete search history.

(56) **References Cited**

U.S. PATENT DOCUMENTS

D224,233 S * 7/1972 Fujita D14/371
D390,612 S * 2/1998 Brakefield D16/225

D430,142 S * 8/2000 Kuo D14/211
D466,887 S * 12/2002 Lewis D14/216
D541,228 S * 4/2007 Thursfield D13/168
D597,532 S * 8/2009 Wang D14/211
D637,173 S * 5/2011 Elkerbout D14/159
D728,654 S * 5/2015 Lee D16/202
D741,931 S * 10/2015 Huang D16/202
D743,941 S * 11/2015 Patsis D14/216
D756,326 S * 5/2016 Holzer D14/171
D756,811 S * 5/2016 Xiao D10/52
D781,274 S * 3/2017 Kim D14/242
D793,363 S * 8/2017 Zhang D14/216
D801,307 S * 10/2017 Kim D14/216
D810,804 S * 2/2018 Borel D16/203
D811,392 S * 2/2018 Lu D14/358

* cited by examiner

Primary Examiner — Selina Sikder

(74) *Attorney, Agent, or Firm* — Pearl Cohen Zedek Latzer Baratz LLP

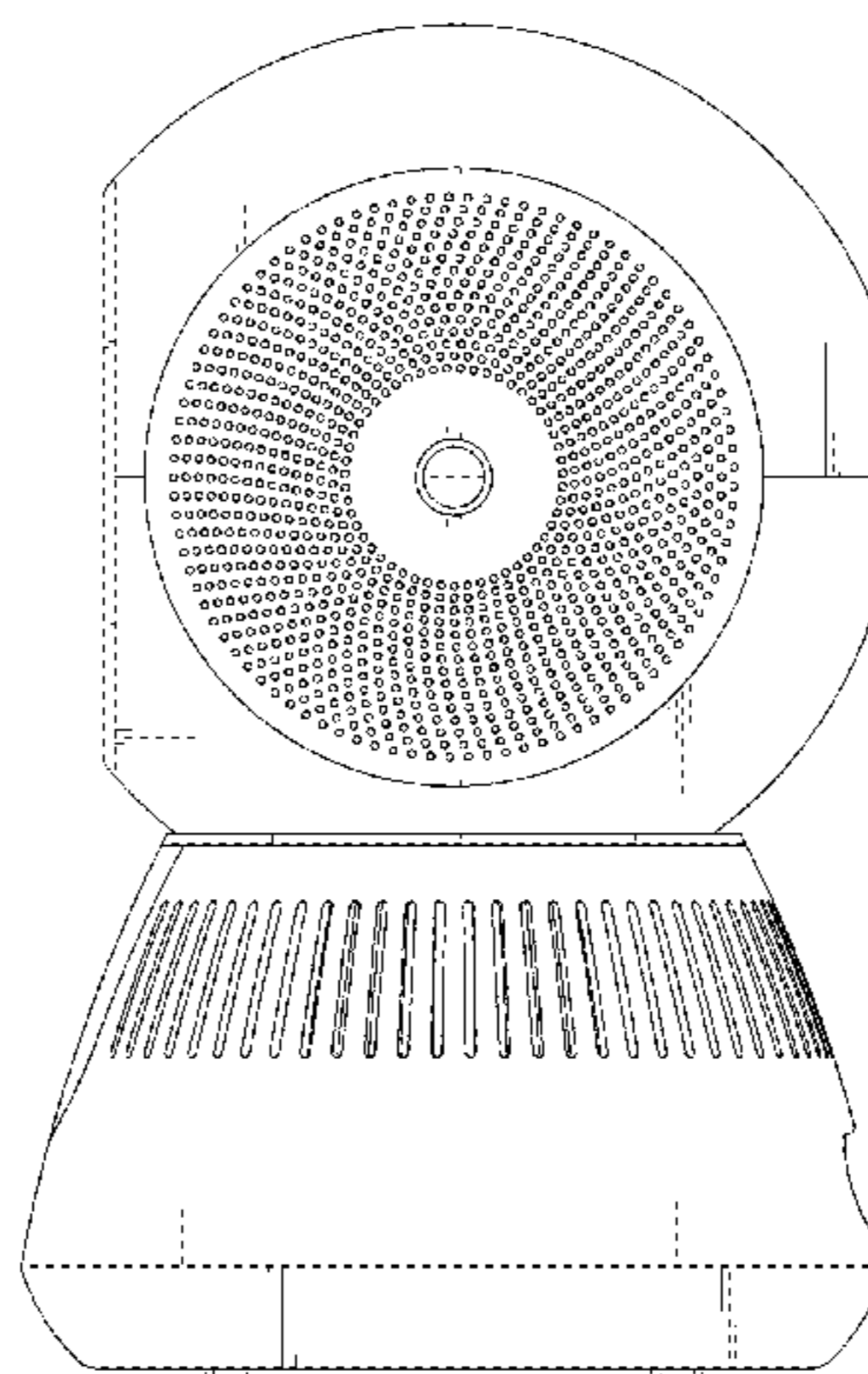
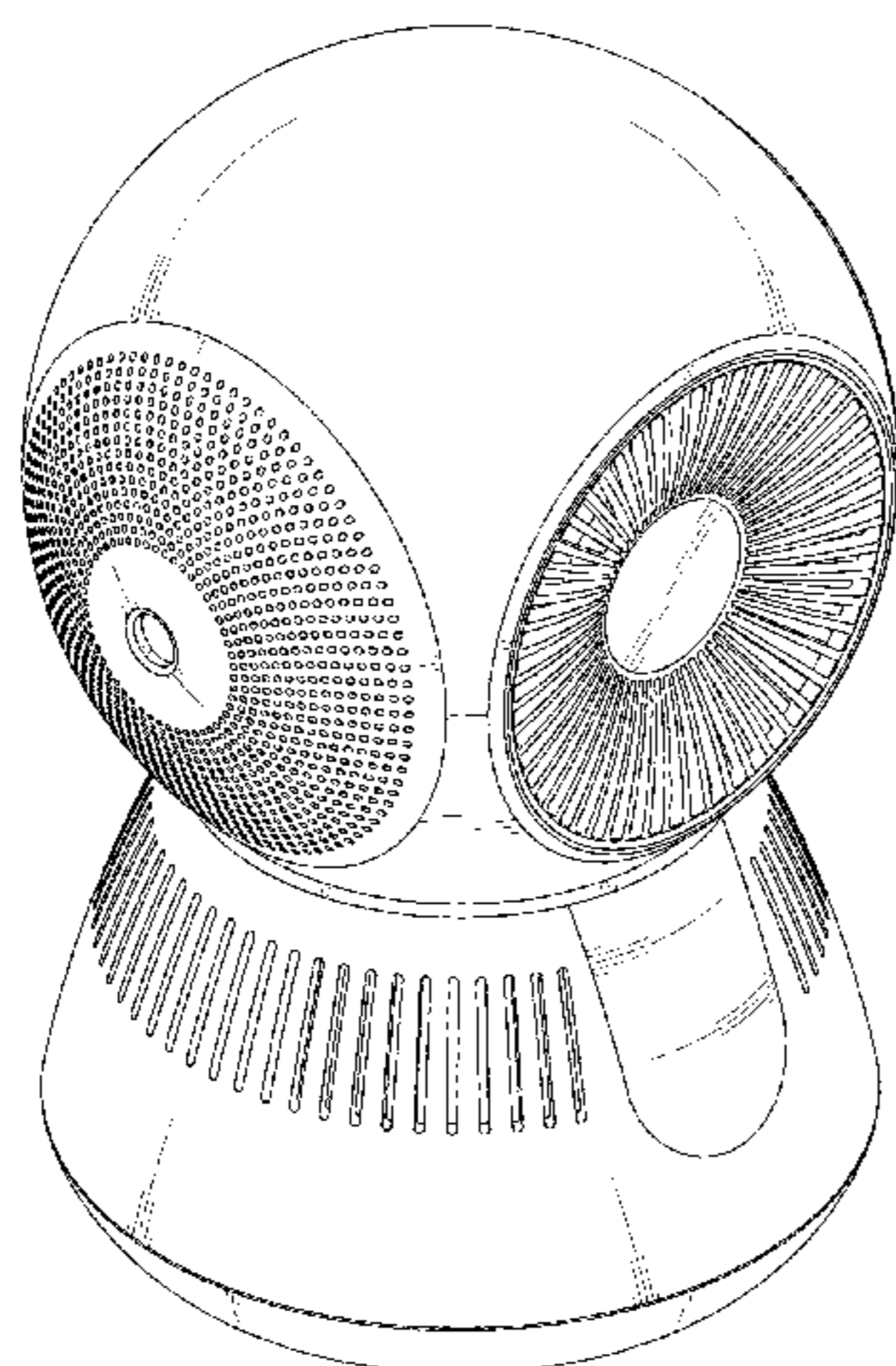
(57) **CLAIM**

The ornamental design for a home automation remote control unit, as shown and described.

DESCRIPTION

FIG. 1 is a top, front, left side perspective view of the home automation remote control unit;
FIG. 2 is a front elevational view thereof;
FIG. 3 is a back elevational view thereof;
FIG. 4 is a left side elevational view thereof;
FIG. 5 is a right side elevational view thereof;
FIG. 6 is a top plan view thereof;
FIG. 7 is a bottom plan view thereof; and,
FIG. 8 is a top, back, right side perspective view thereof.
The broken lines in the figures show portions of the home automation remote control unit that form no part of the claimed design.

1 Claim, 8 Drawing Sheets



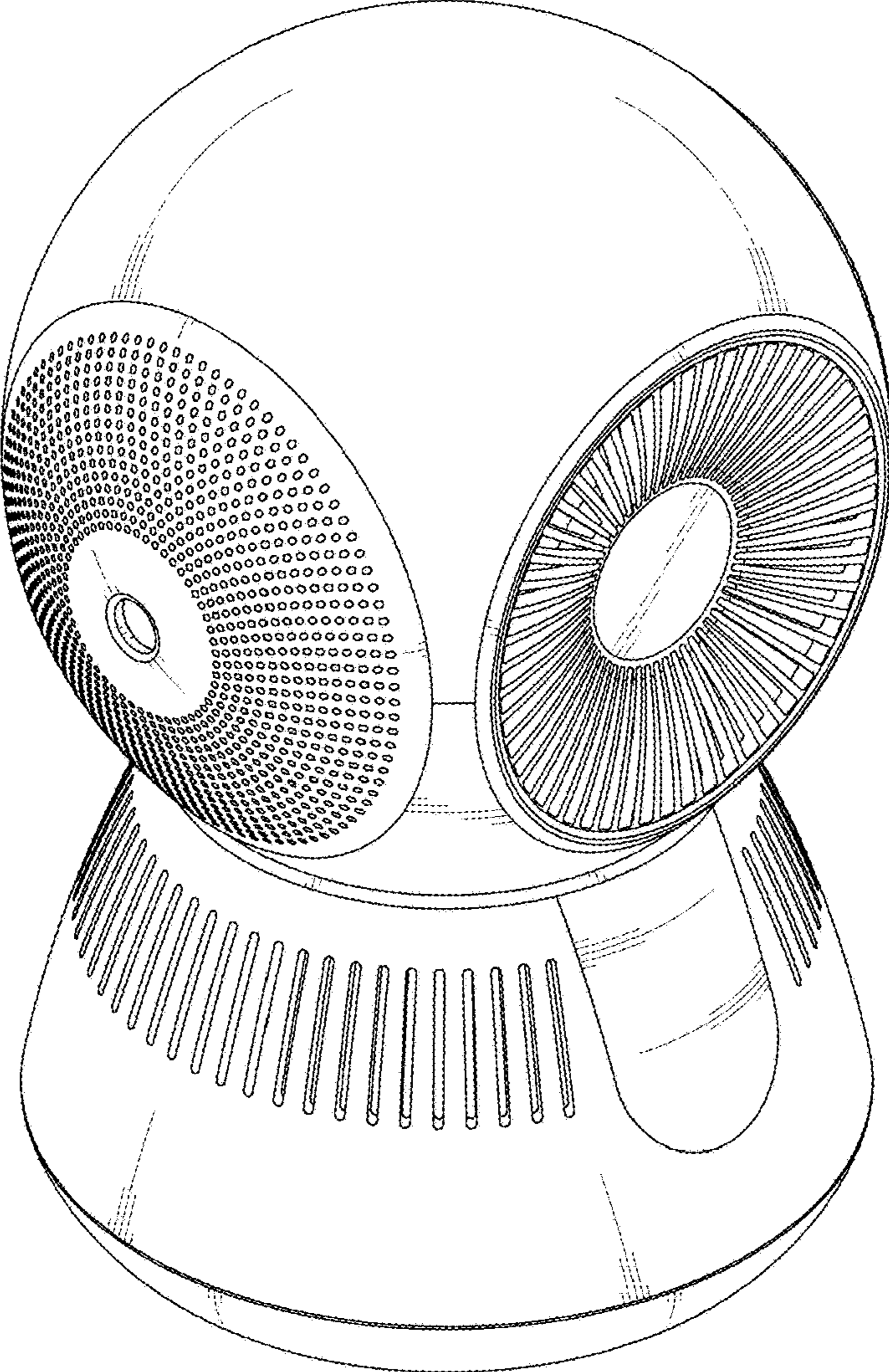


FIG. 1

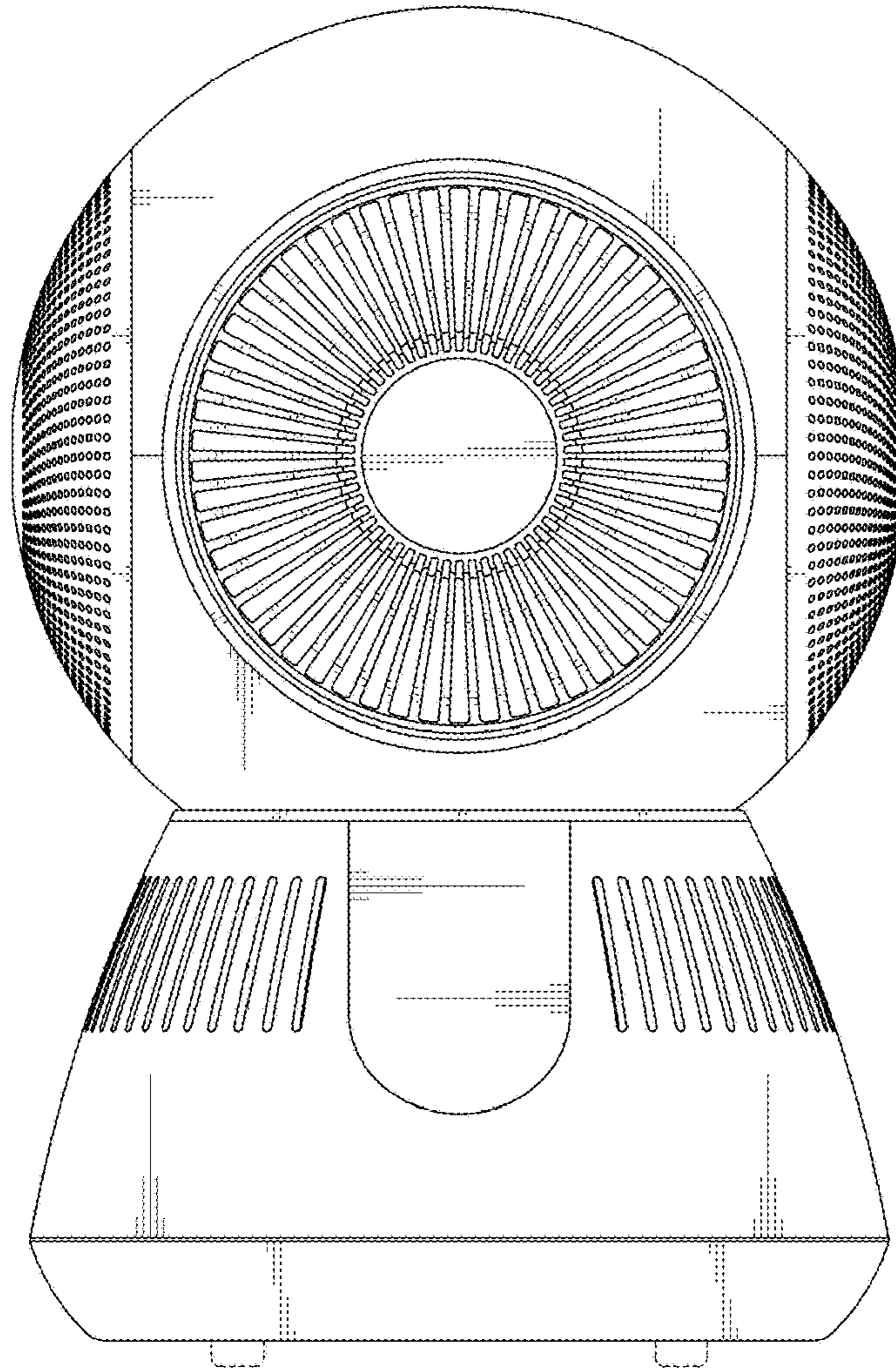


FIG. 2

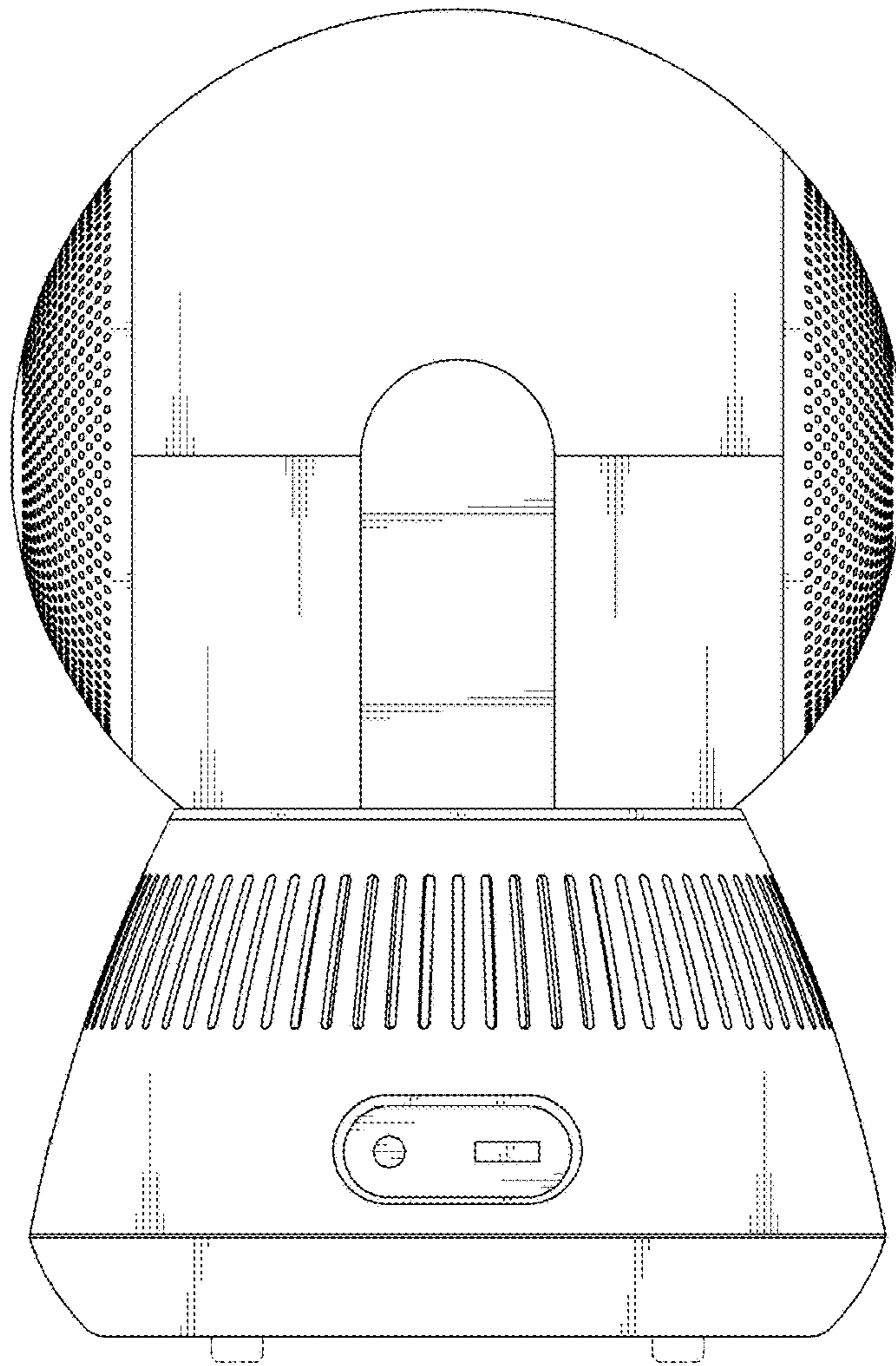


FIG. 3

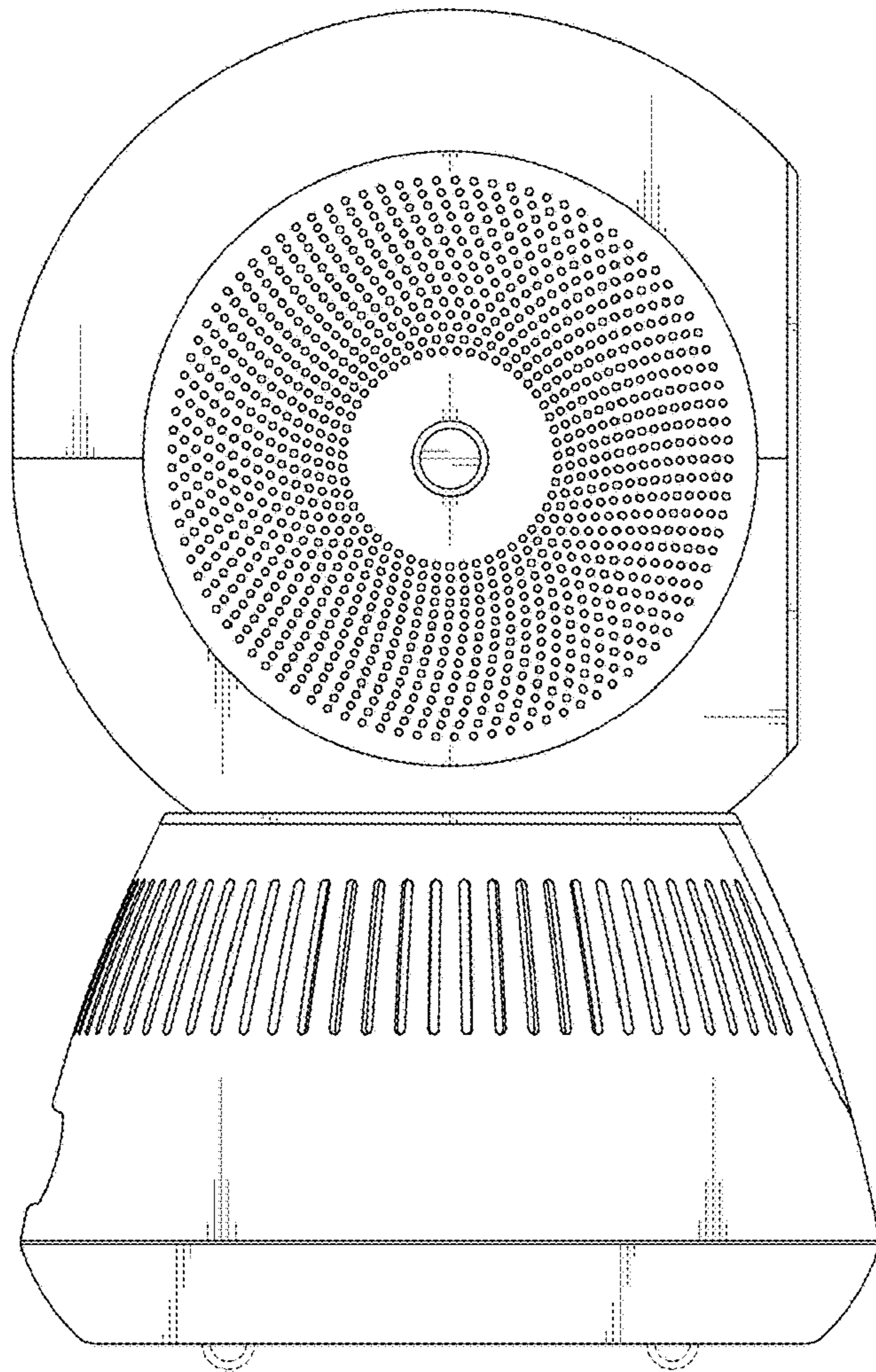


FIG. 4

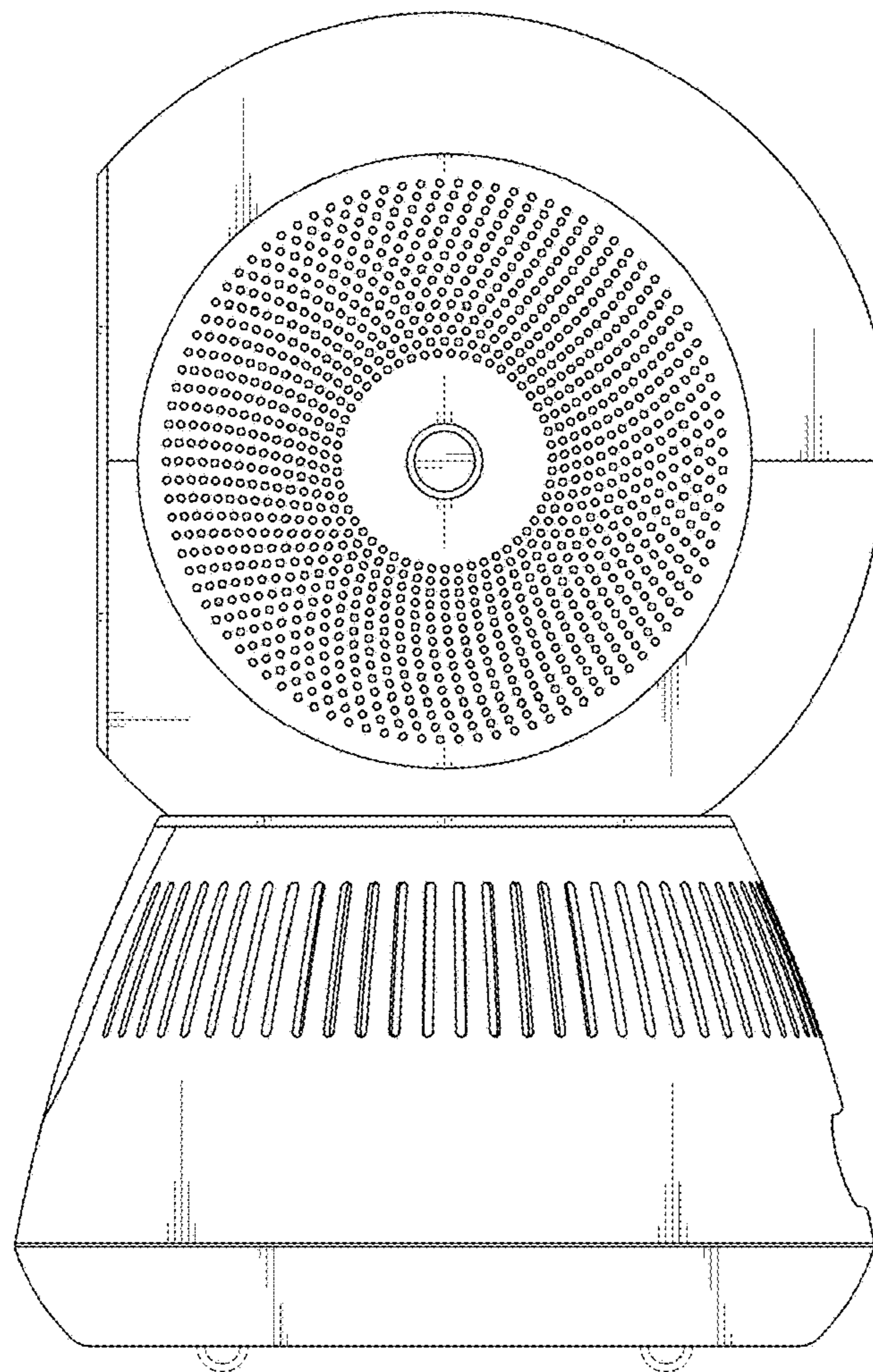


FIG. 5

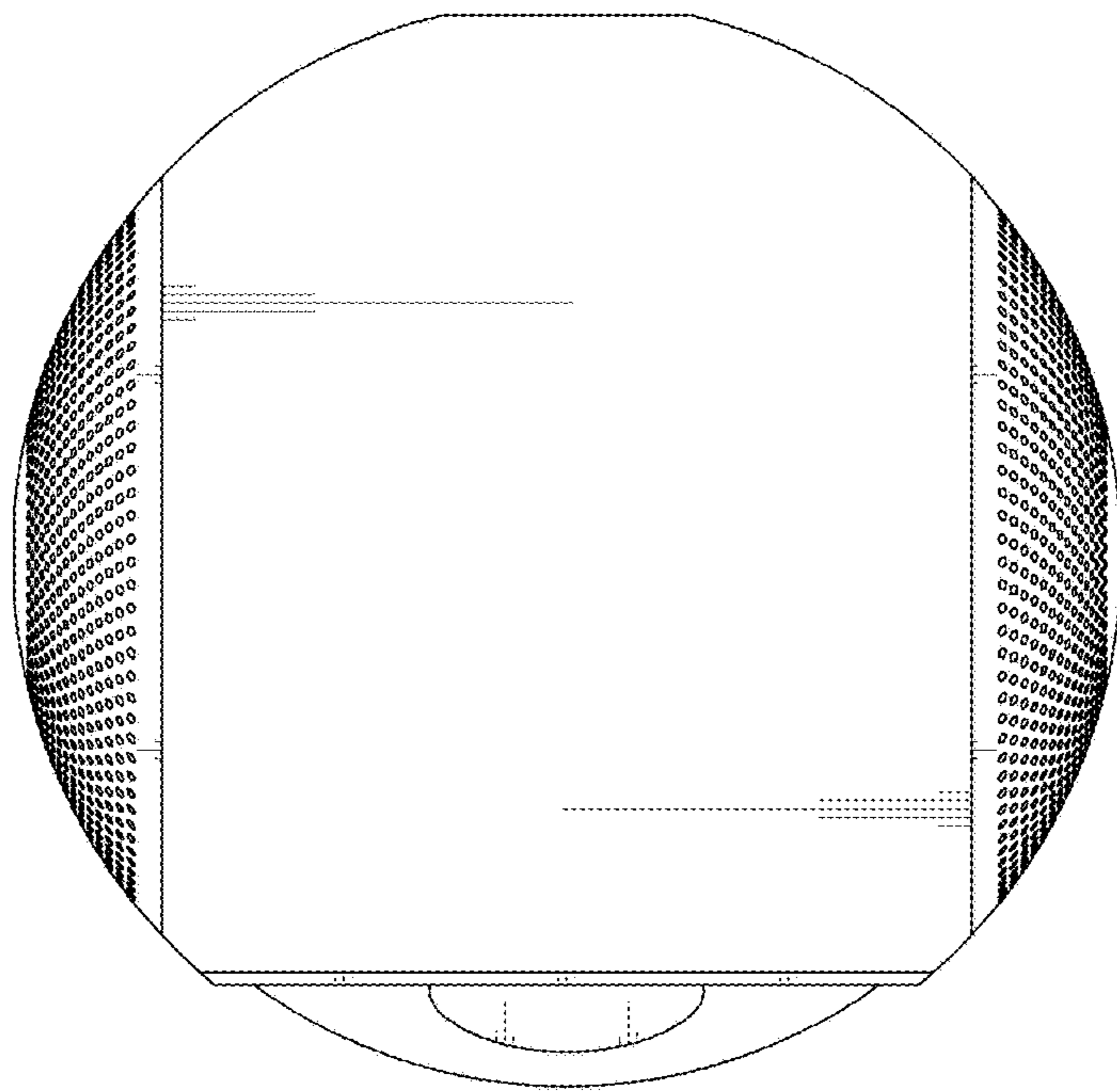


FIG. 6

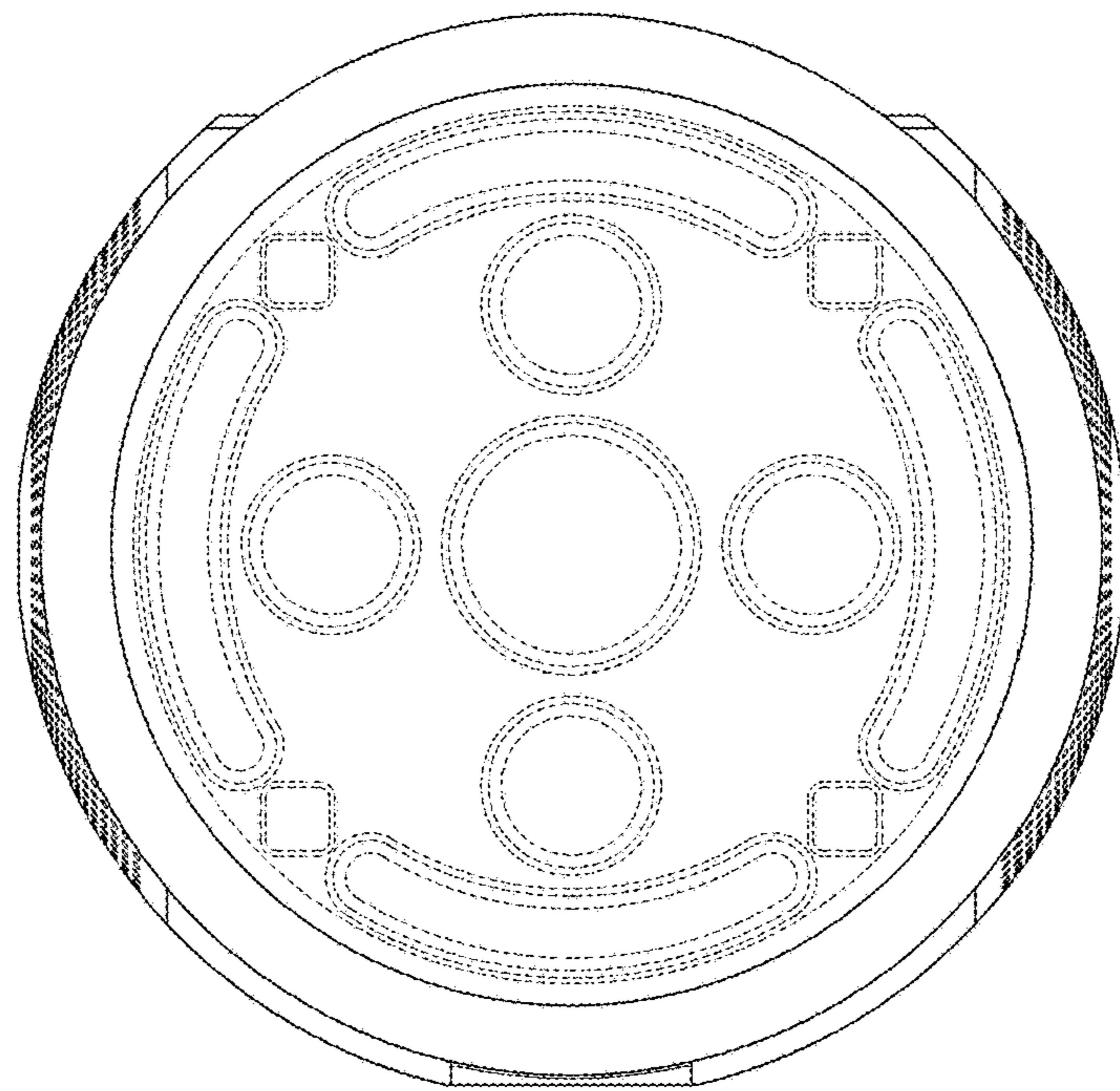


FIG. 7

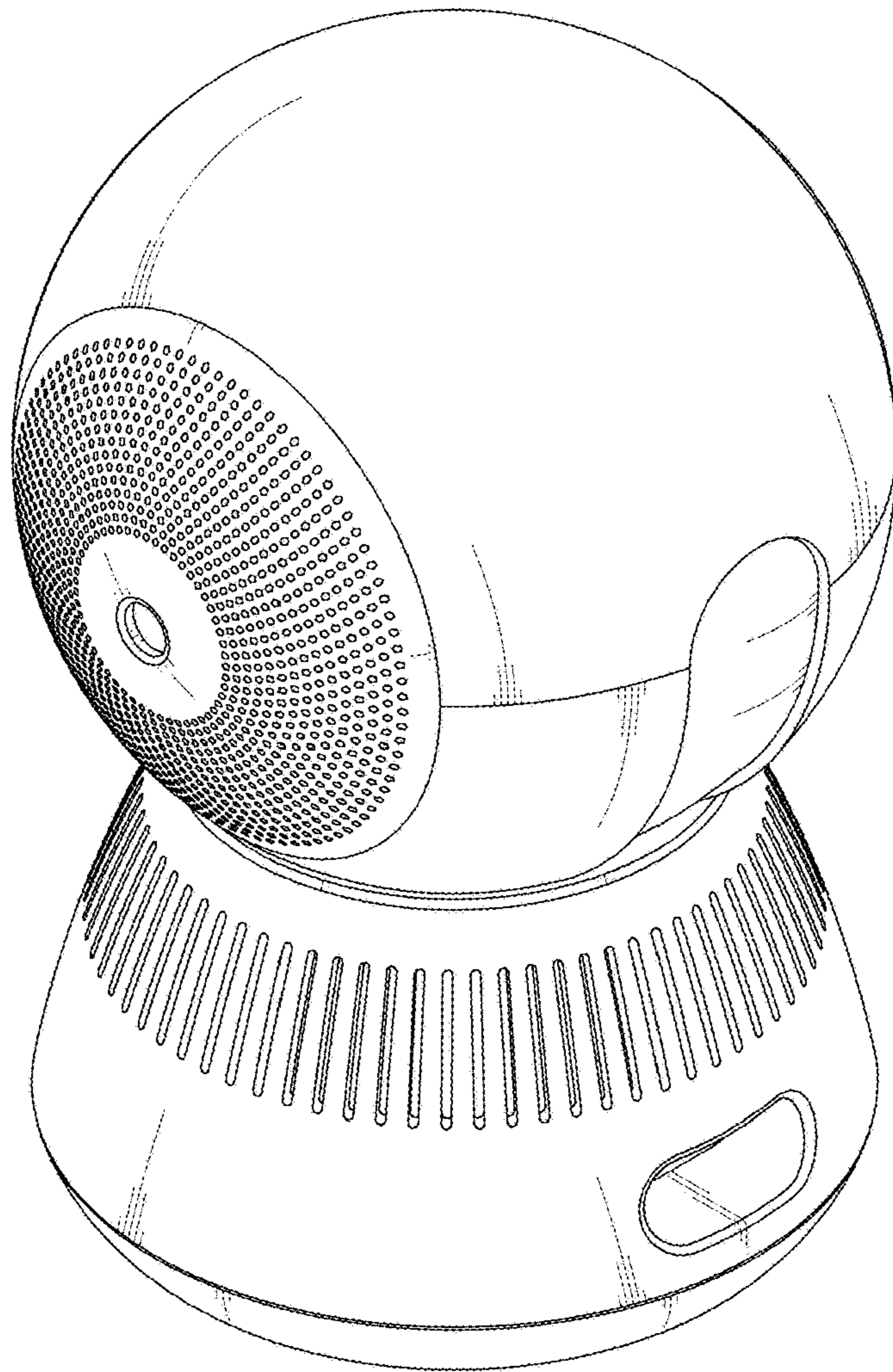


FIG. 8