



US00D836564S

(12) **United States Design Patent** (10) **Patent No.:** **US D836,564 S**
Kulik (45) **Date of Patent:** **** Dec. 25, 2018**

(54) **CONTROLLER HOUSING**
(71) Applicant: **Mark Kulik**, Hayward, CA (US)
(72) Inventor: **Mark Kulik**, Hayward, CA (US)
(**) Term: **15 Years**
(21) Appl. No.: **29/654,113**
(22) Filed: **Jun. 21, 2018**

Related U.S. Application Data

(63) Continuation-in-part of application No. 29/509,403, filed on Nov. 17, 2014.
(51) **LOC (11) Cl.** **13-03**
(52) **U.S. Cl.**
USPC **D13/158**
(58) **Field of Classification Search**
USPC D16/101, 300-342; D12/114, 400;
D13/156, 158-164, 171, 173, 174, 184,
D13/199; D14/137, 218; D29/103-111;
2/438, 432; 396/311, 387
CPC G03B 17/02; G03B 17/24; G03B 17/30;
A42B 3/04; A42B 3/0406; A42B 3/042;
A42B 3/185; A42B 3/30; A42B 3/18;
A42B 3/24; A61F 9/025; A61F 9/029
See application file for complete search history.

(56) **References Cited**

U.S. PATENT DOCUMENTS

4,428,081 A * 1/1984 Smith A61F 9/025
2/422
6,047,412 A * 4/2000 Wilson, II A42B 3/26
2/422
6,415,452 B1 * 7/2002 Watanabe A61F 9/025
2/438
D536,436 S * 2/2007 Nishizawa D23/393

D691,652 S * 10/2013 Castro D16/311
D724,002 S * 3/2015 Woo D12/400
D724,060 S * 3/2015 Ahn D14/218
D727,659 S * 4/2015 Kao D6/580
D733,068 S * 6/2015 Johnson D13/156
D743,954 S * 11/2015 Chuang D13/168
2012/0023647 A1 * 2/2012 Park A61F 9/025
2/438

* cited by examiner

Primary Examiner — Philip S Hyder

Assistant Examiner — Ramzi S Almatrahi

(74) *Attorney, Agent, or Firm* — Gerald R. Prettyman

(57) **CLAIM**

The ornamental design for a controller housing, as shown and described.

DESCRIPTION

This application is related to U.S. Utility application Ser. No. 14/543,794, now U.S. Pat. No. 9,708,154, issued Jul. 18, 2017 and titled "Off-Road Rolling Film Vision System". This application is related to Design patent applications 29/509,397 titled "Film Spool;" 29/509,398 titled "Takeup Module Housing;" and 29/509,401 titled "Rollout Module Housing;" all filed Nov. 17, 2014; and to U.S. Utility application Ser. No. 14,967,150 filed Dec. 11, 2015, and to U.S. Utility application Ser. No. 15/650,864 filed Jul. 15, 2017, and to PCT/US2015/56987 filed Oct. 22, 2015. All applications have the same inventor and owner.

FIG. 1 is a left side elevation view of a controller housing showing my new design;

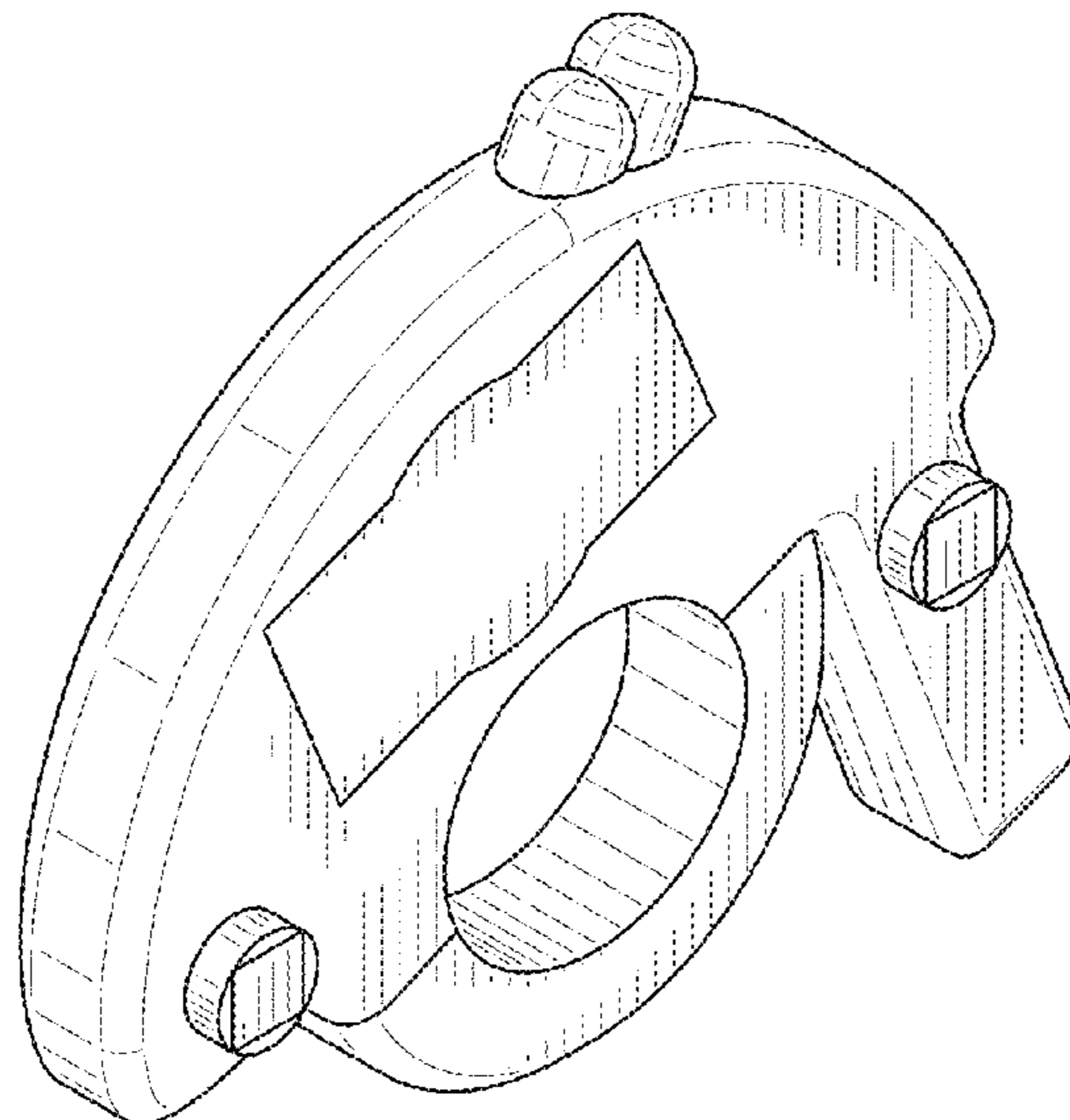
FIG. 2 is a right side elevation view thereof;

FIG. 3 is a back elevation view thereof;

FIG. 4 is a front elevation view thereof; and,

FIG. 5 is a perspective view thereof.

1 Claim, 3 Drawing Sheets



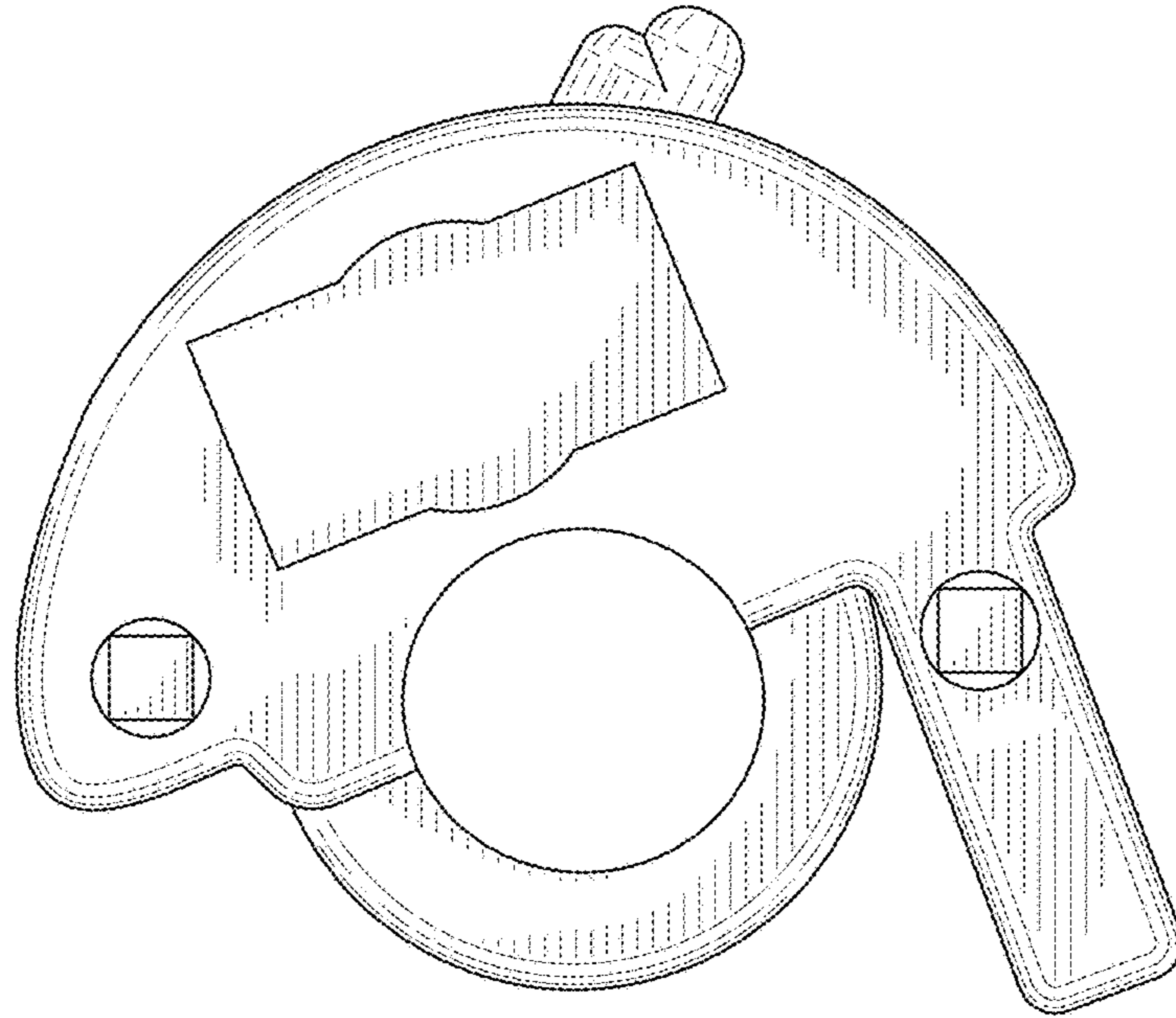


FIG. 1

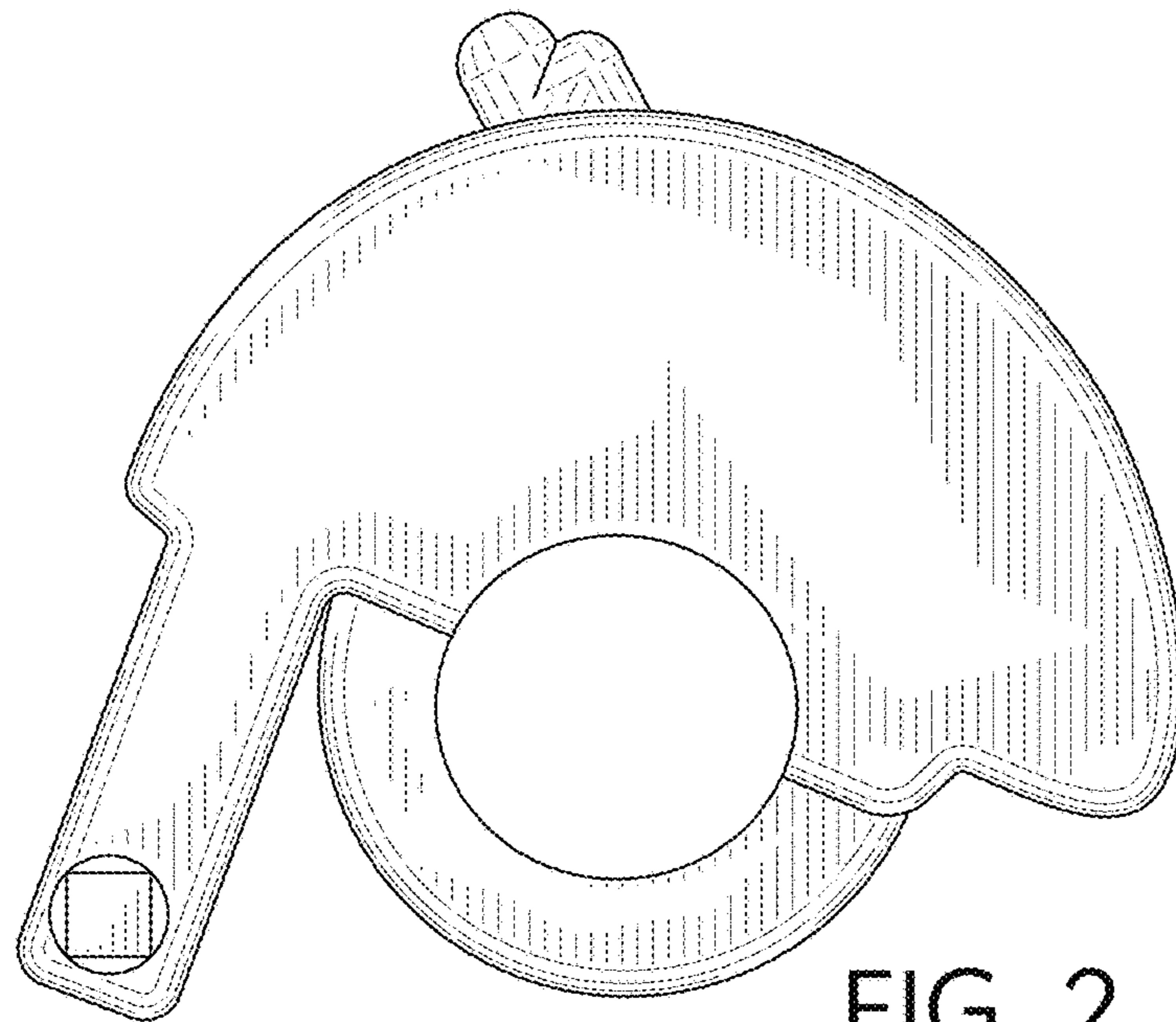


FIG. 2

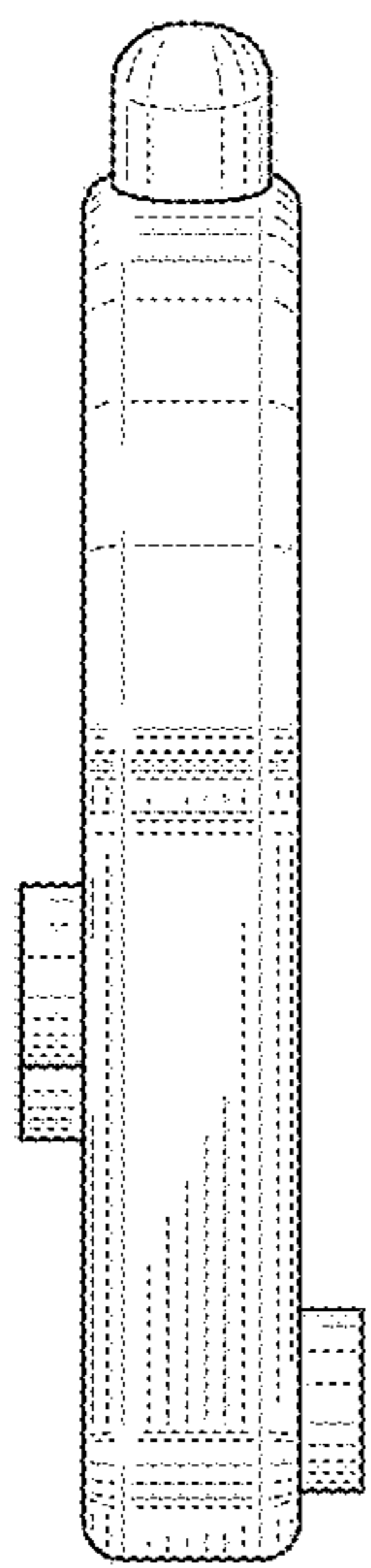


FIG. 3

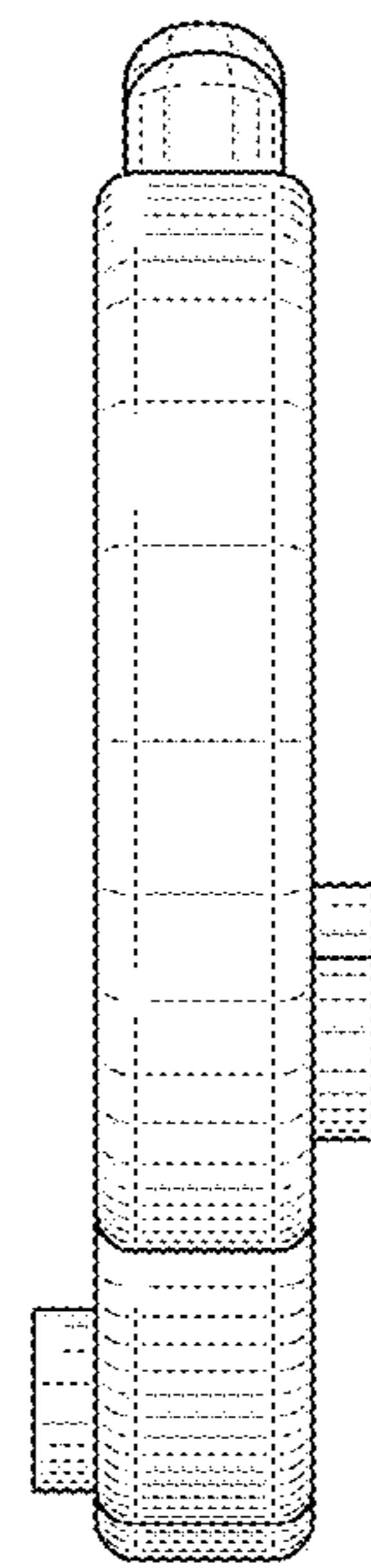


FIG. 4

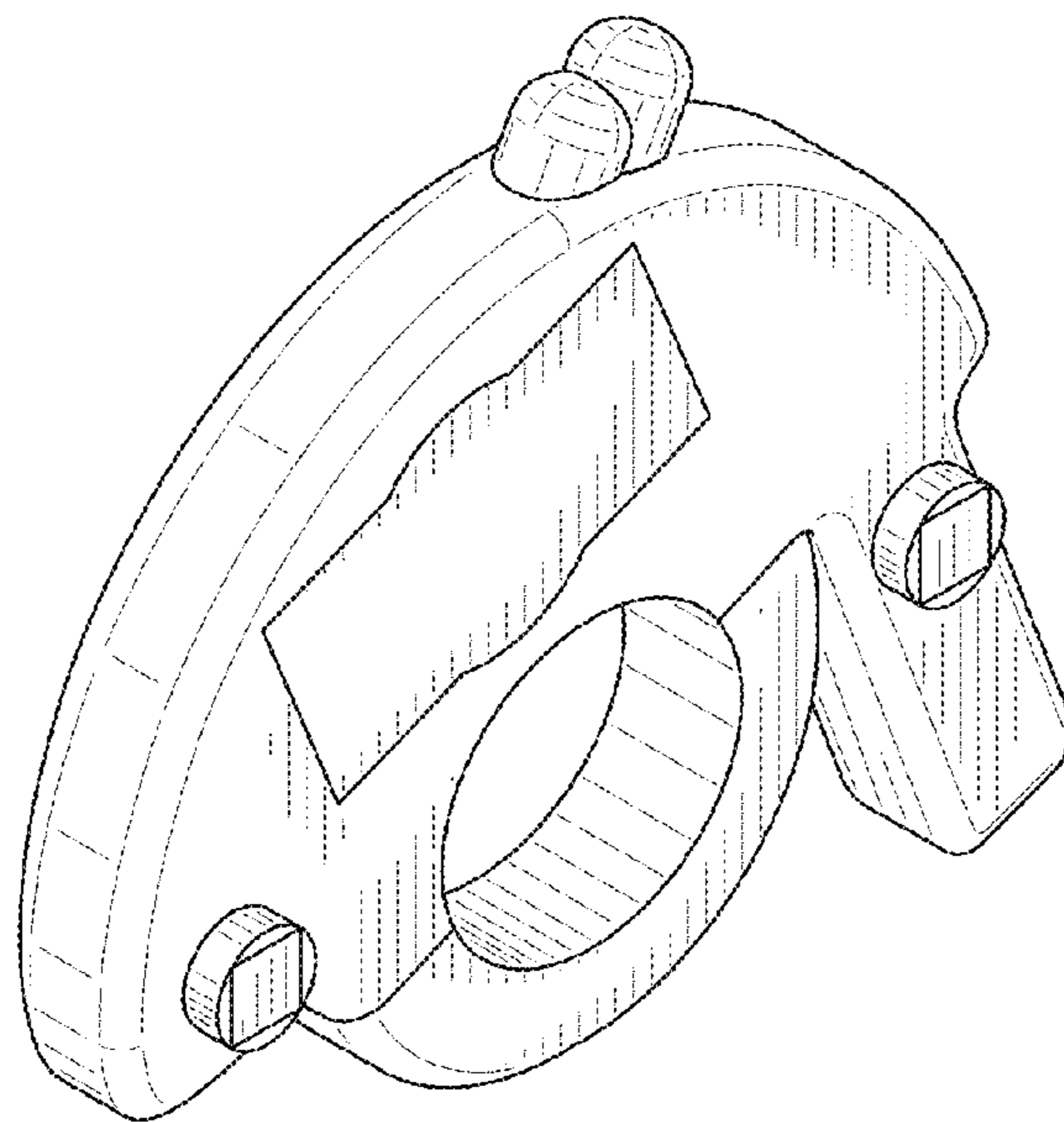


FIG. 5