



US00D836563S

(12) **United States Design Patent**
Wildman et al.

(10) **Patent No.:** **US D836,563 S**

(45) **Date of Patent:** **** Dec. 25, 2018**

(54) **SWITCH**

(71) Applicant: **Condor-Werke Gebr. Frede GmbH & Co., KG**, Ennigerloh (DE)

(72) Inventors: **Craig R. Wildman**, Charlotte, NC (US); **Joseph J. Gustafson**, Charlotte, NC (US)

(73) Assignee: **CONDOR-WERKE GEBR. FREDE GMBH & CO., KG** (DE)

(**) Term: **15 Years**

(21) Appl. No.: **29/607,859**

(22) Filed: **Jun. 16, 2017**

(51) **LOC (11) Cl.** **13-03**

(52) **U.S. Cl.**
USPC **D13/158**

(58) **Field of Classification Search**
USPC D13/158, 160, 175, 199
CPC B60Q 1/441; F04B 49/022; H01H 35/34;
H01H 35/343; H01H 9/047
See application file for complete search history.

(56) **References Cited**

U.S. PATENT DOCUMENTS

D280,501 S *	9/1985	Walters	D13/158
D297,006 S *	8/1988	Walters	D13/158
4,939,321 A *	7/1990	Tanaka	H01H 35/34 200/302.1
5,482,439 A *	1/1996	Chen	H01H 35/343 200/83 J

7,256,361 B1 *	8/2007	Lee	H01H 35/2614 200/83 J
7,786,392 B2 *	8/2010	Hickman	H01H 35/34 200/241
9,941,083 B2 *	4/2018	Matsuyama	H01H 35/34

* cited by examiner

Primary Examiner — Selina Sikder

(74) *Attorney, Agent, or Firm* — Shumaker, Loop & Kendrick, LLP

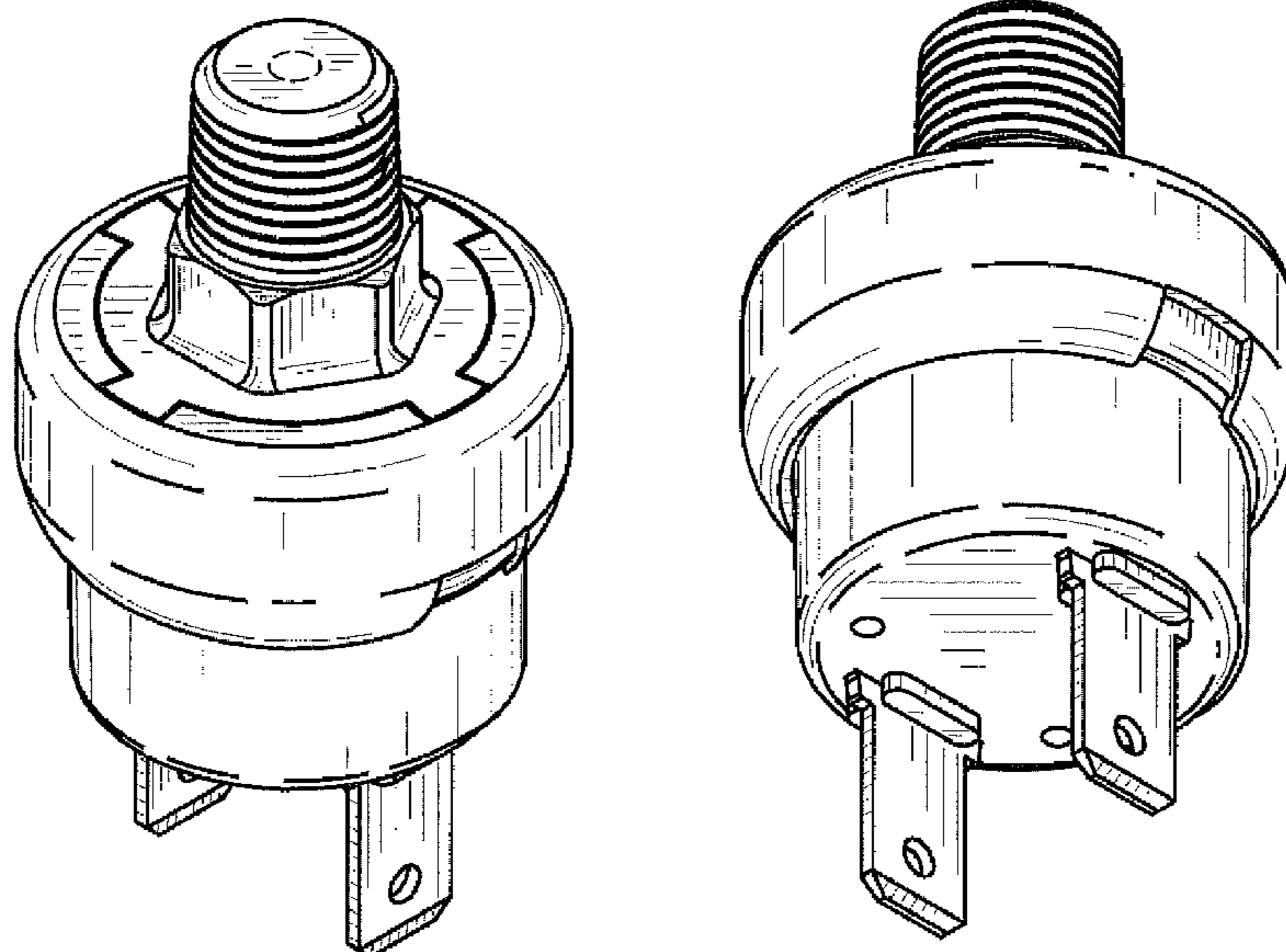
(57) **CLAIM**

We claim the ornamental design for a switch, as shown and described.

DESCRIPTION

FIG. 1 is a top perspective view of a first side of a switch; FIG. 2 is a bottom perspective view of a first side of the switch of FIG. 1; FIG. 3 is a top perspective view of a second side of the switch of FIG. 1; FIG. 4 is a bottom perspective view of a second side of the switch of FIG. 1; FIG. 5 is a side elevation view of a first side of the switch of FIG. 1; FIG. 6 is a side elevation view of a first side of the switch of FIG. 1; FIG. 7 is a top plan view of the switch of FIG. 1; FIG. 8 is a side elevation view opposite the first side of the switch of FIG. 1; FIG. 9 is a bottom plan view of the switch of FIG. 1; and, FIG. 10 is a side elevation view opposite the second side of the switch of FIG. 1; The broken line showing of the switch is for illustrative purposes only forms no part of the claimed design.

1 Claim, 4 Drawing Sheets



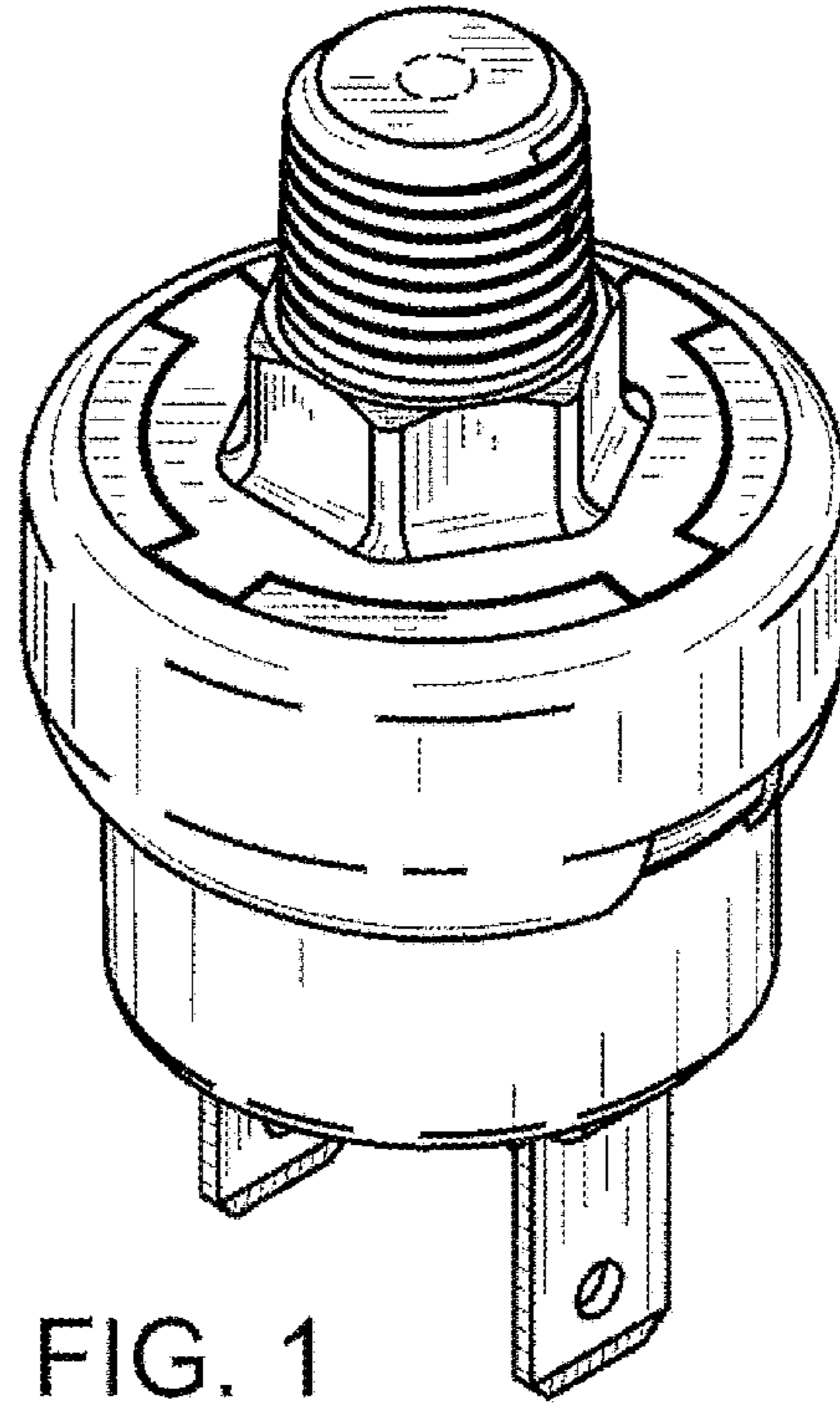


FIG. 1

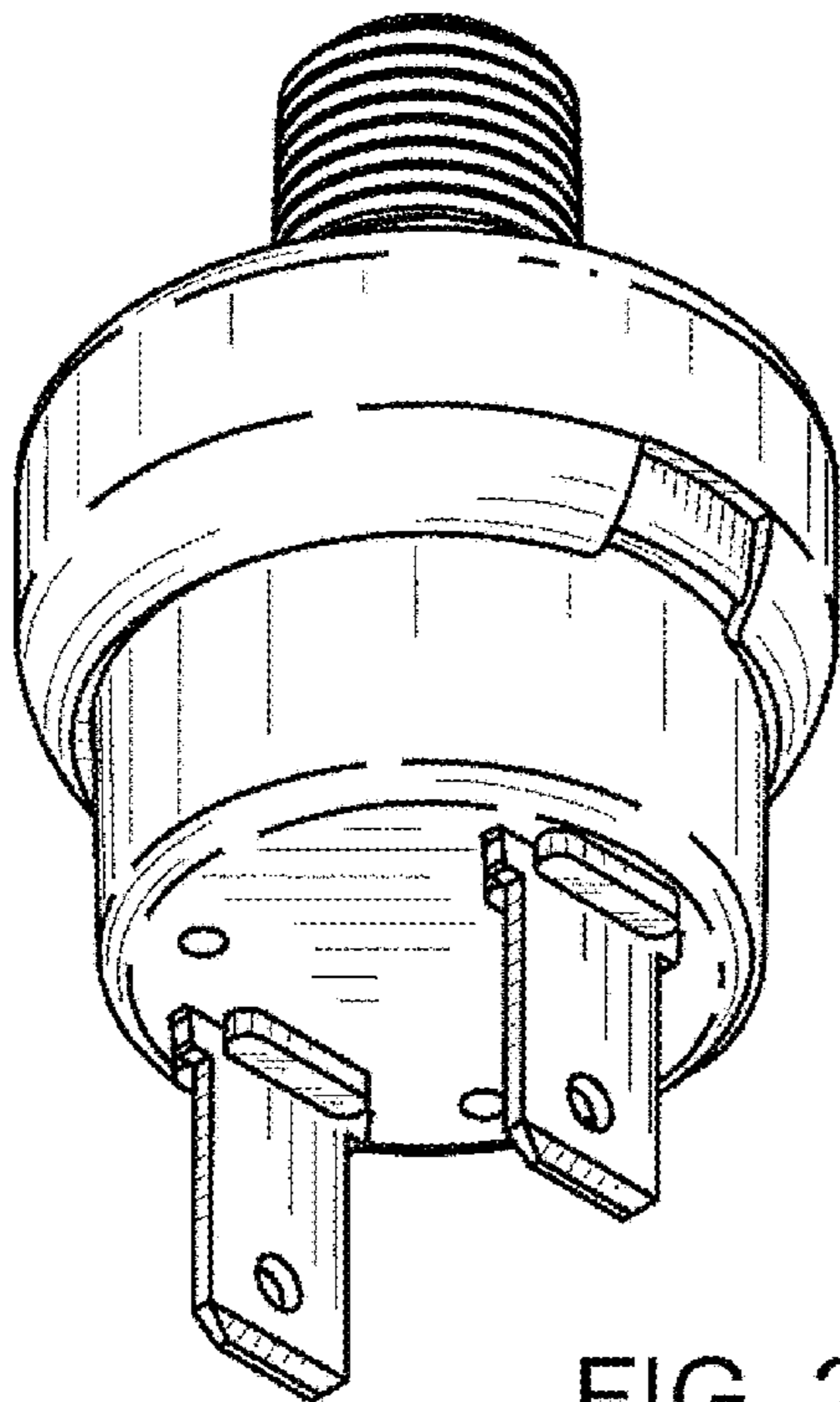


FIG. 2

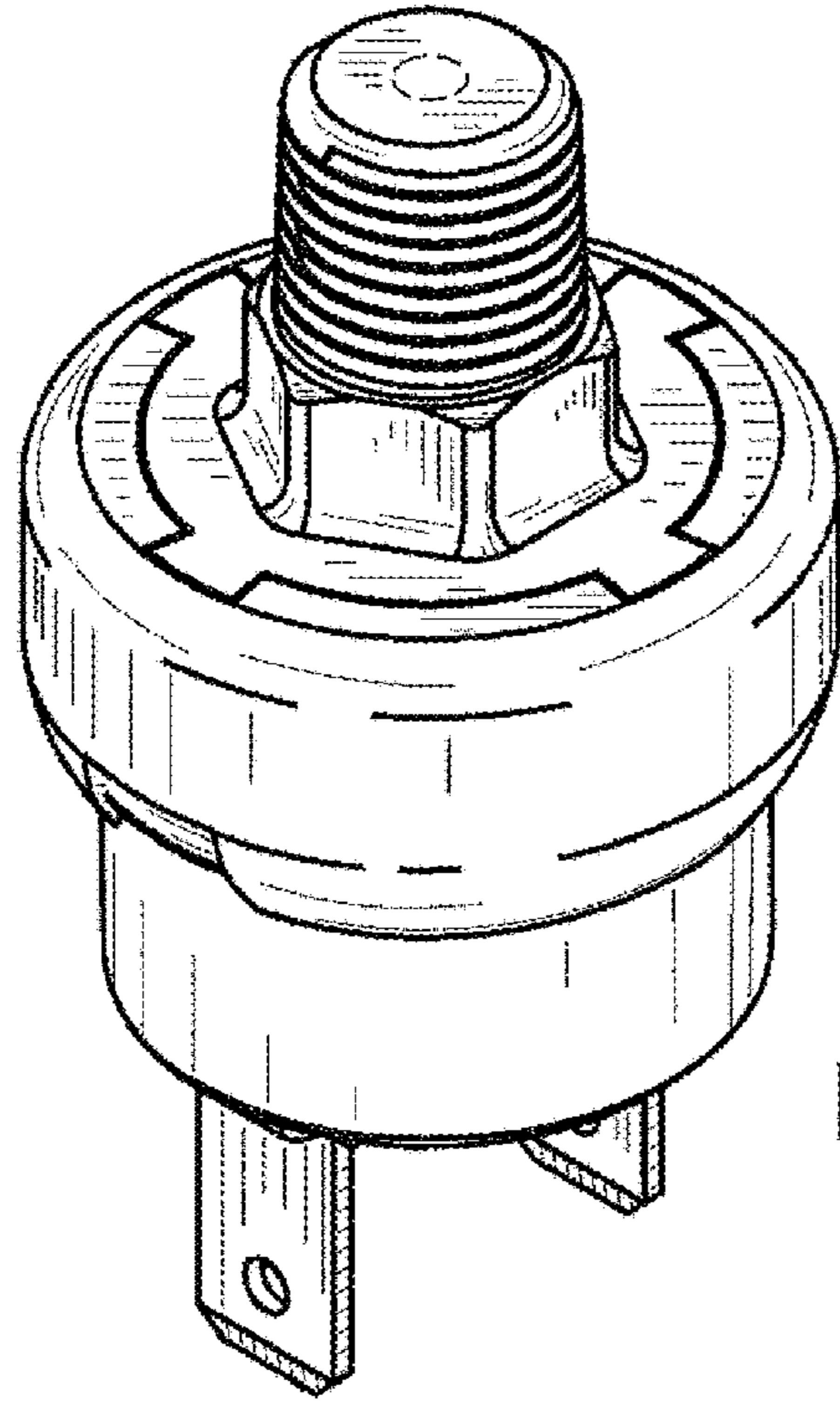


FIG. 3

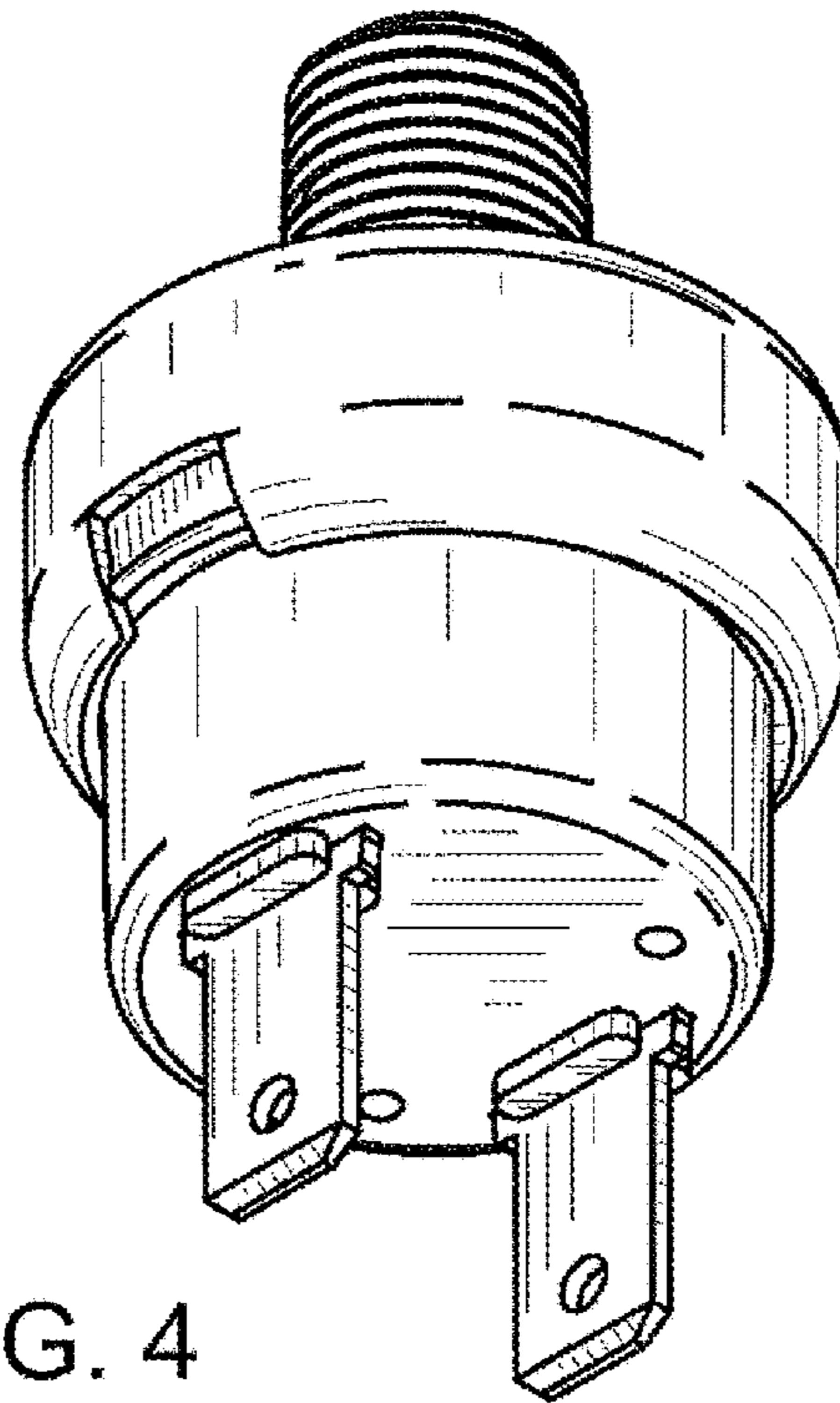


FIG. 4

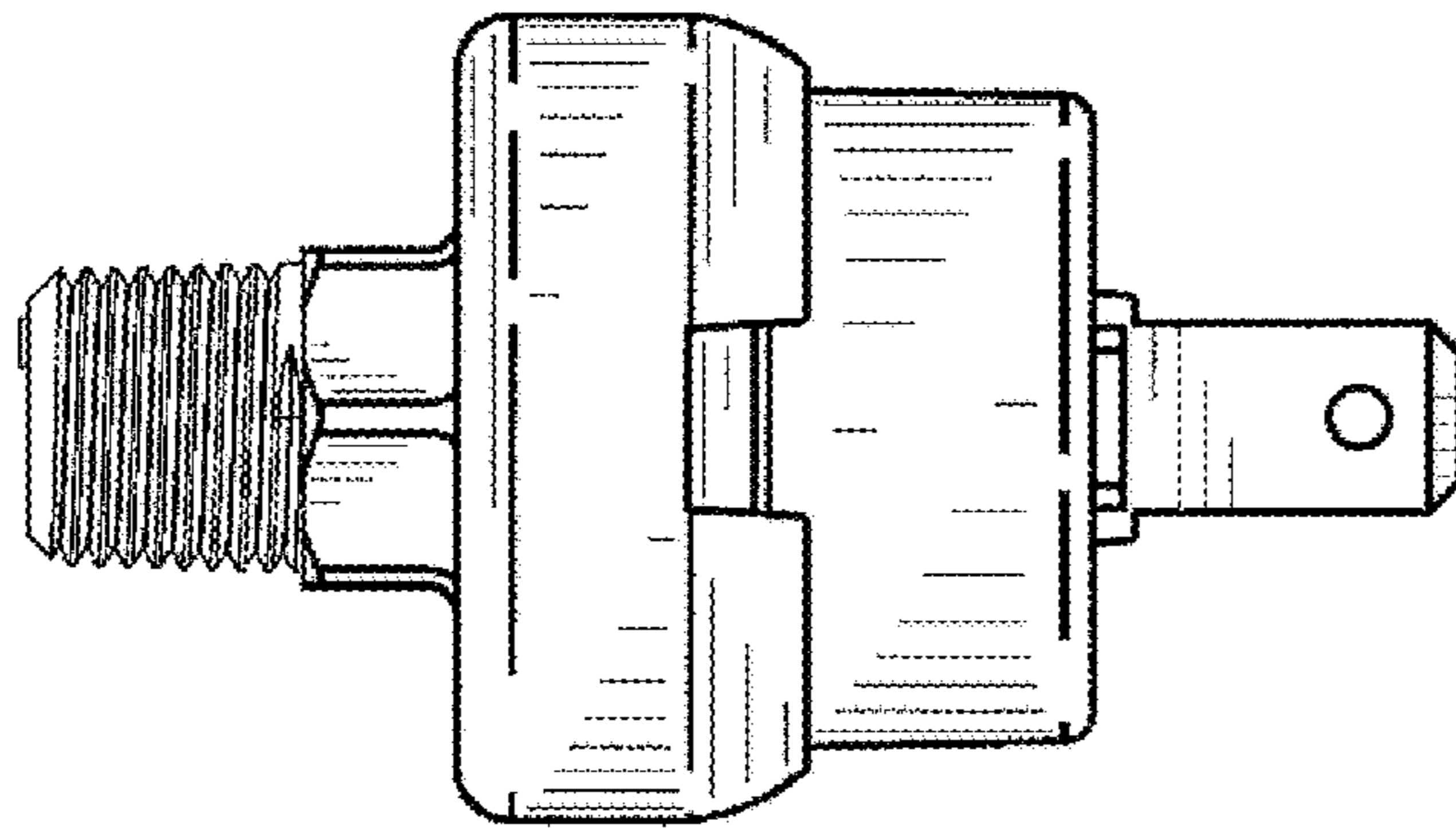


FIG. 5

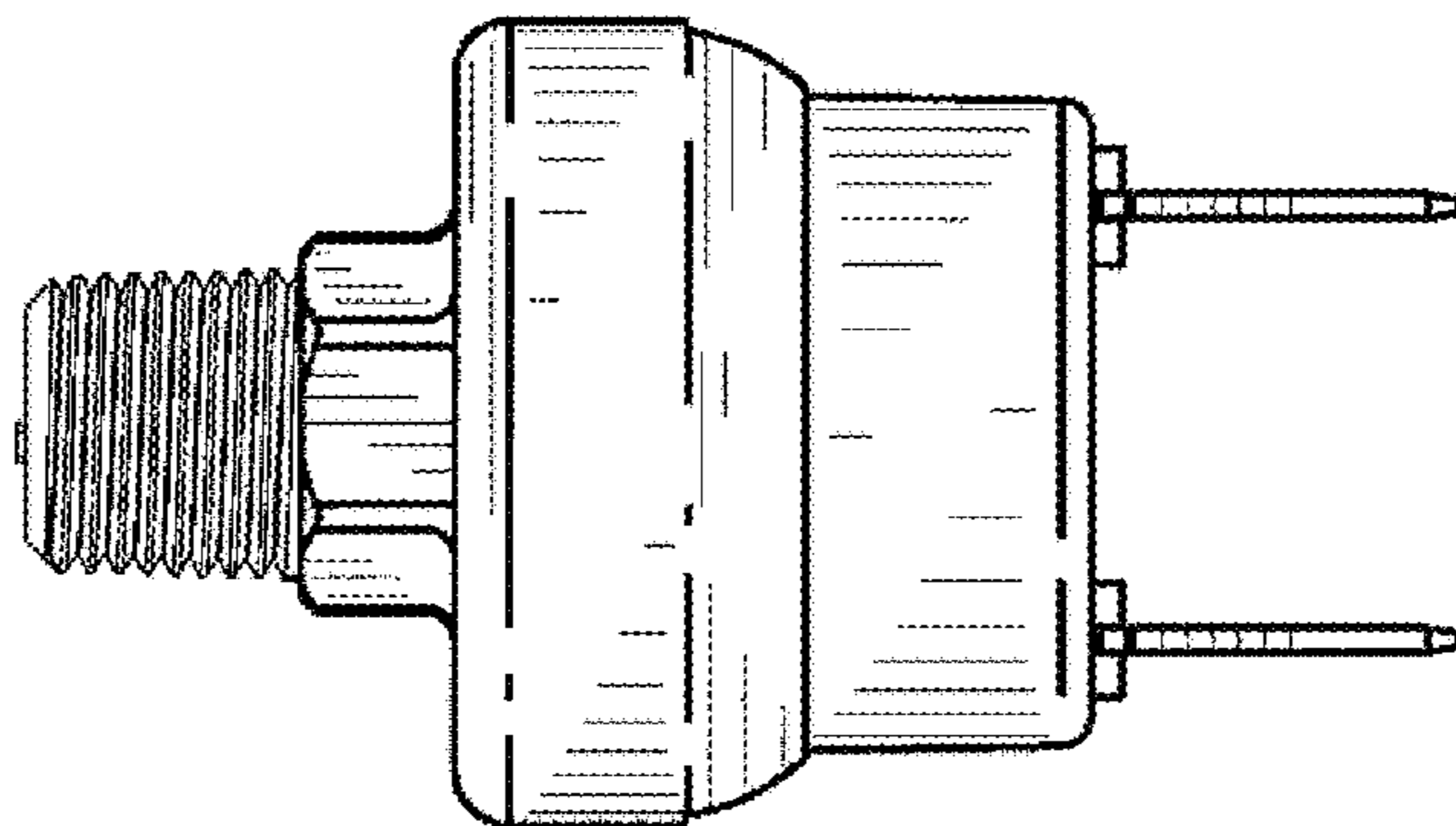


FIG. 6

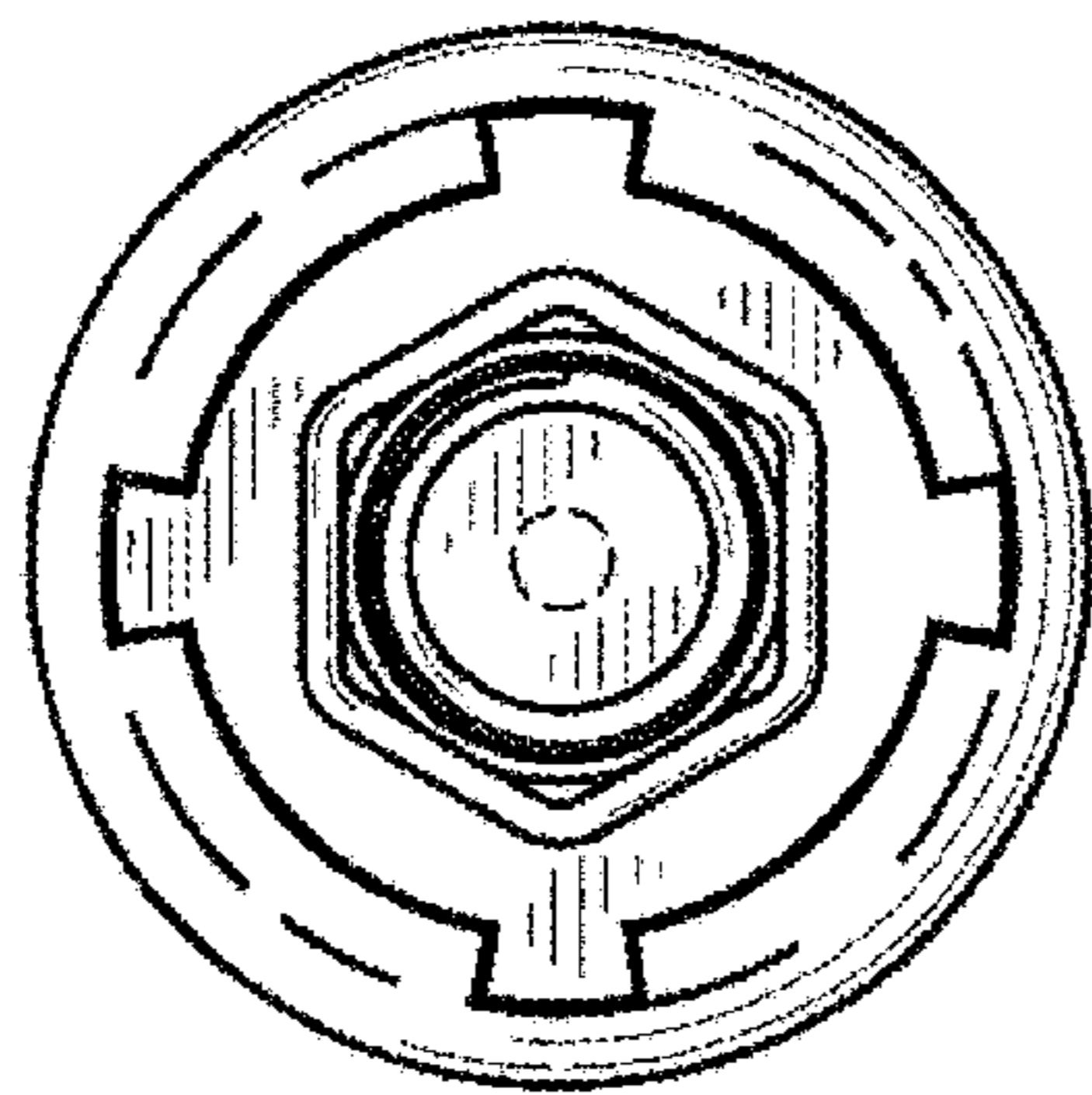


FIG. 7

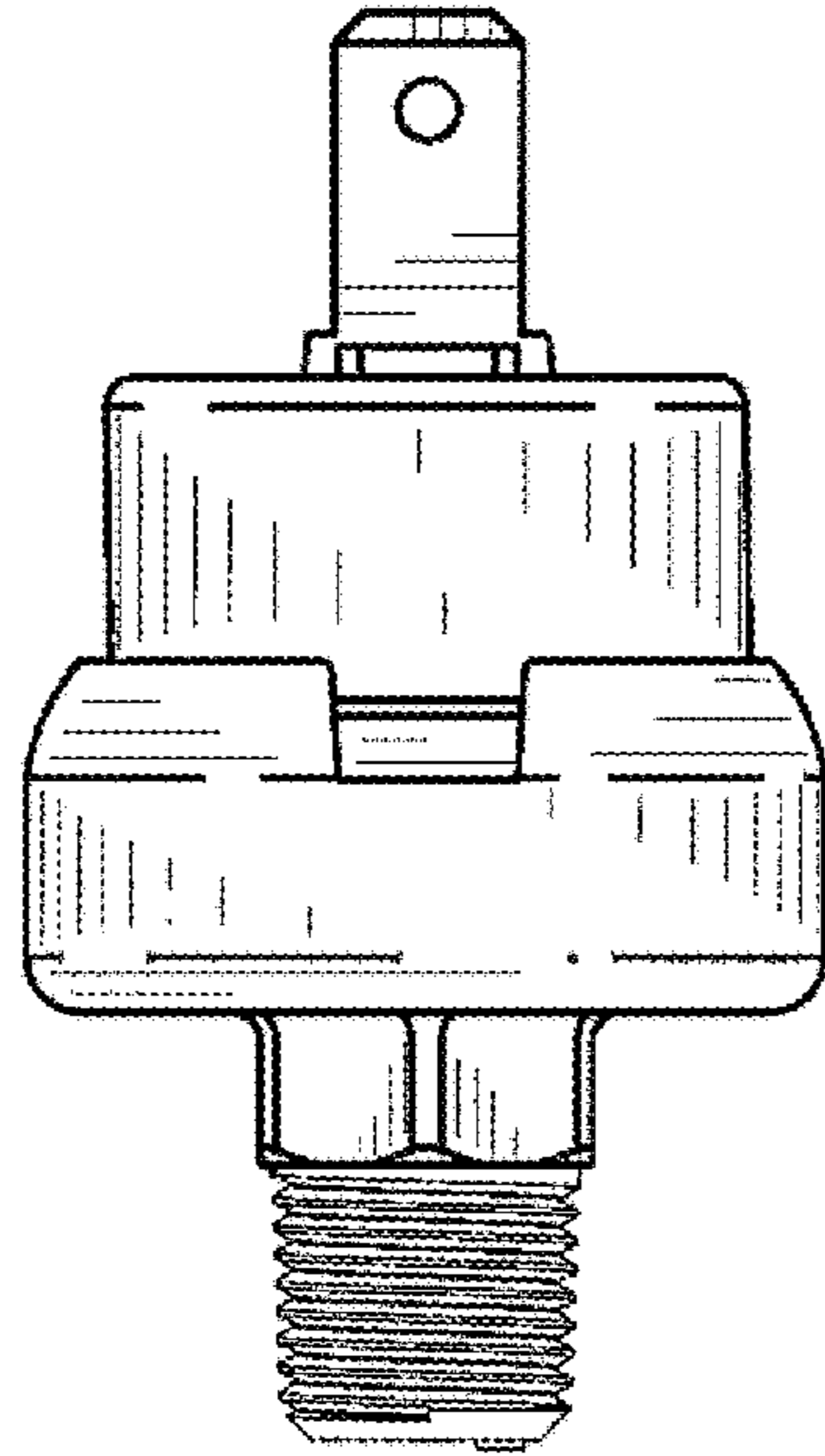


FIG. 8

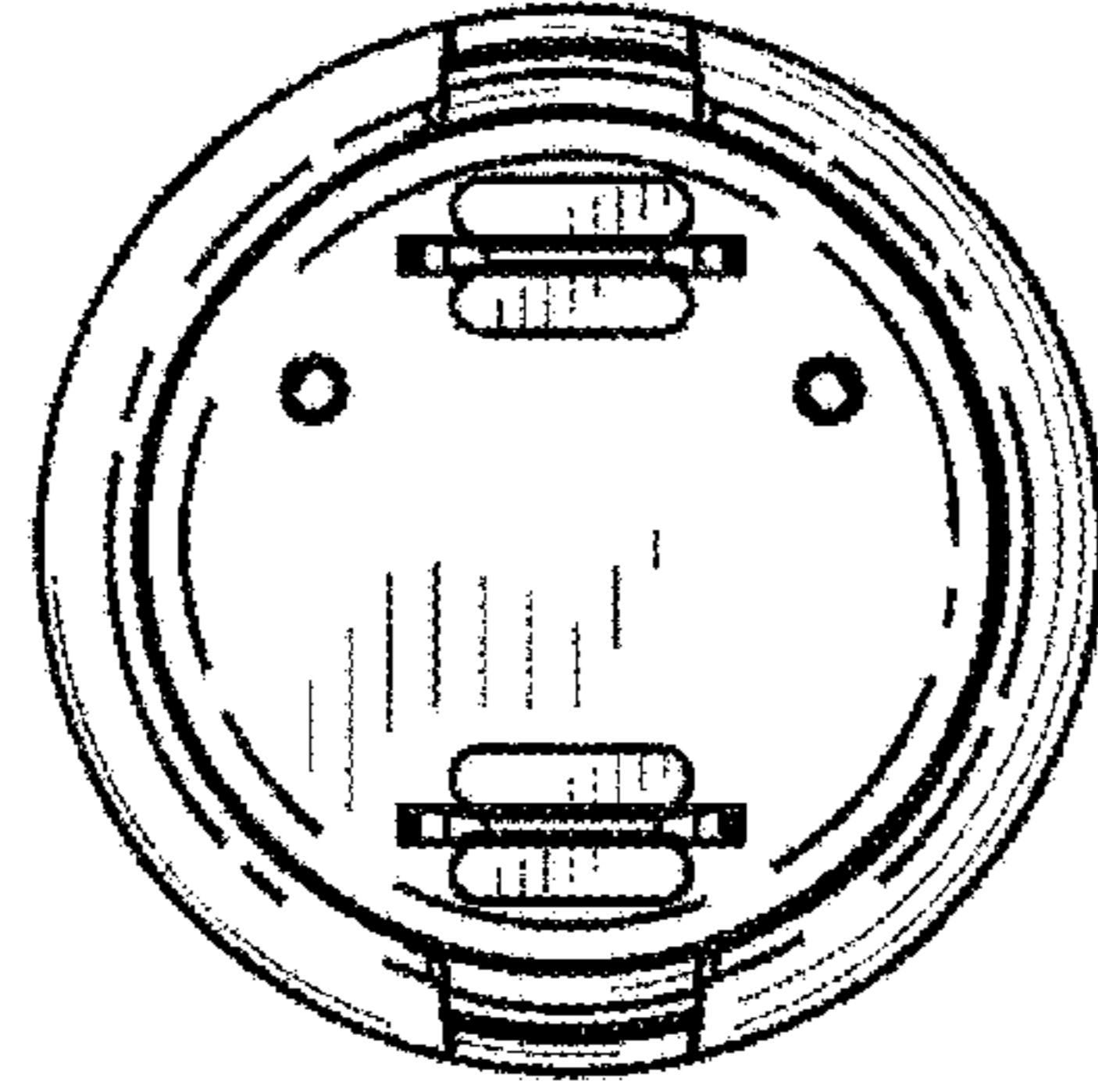


FIG. 9

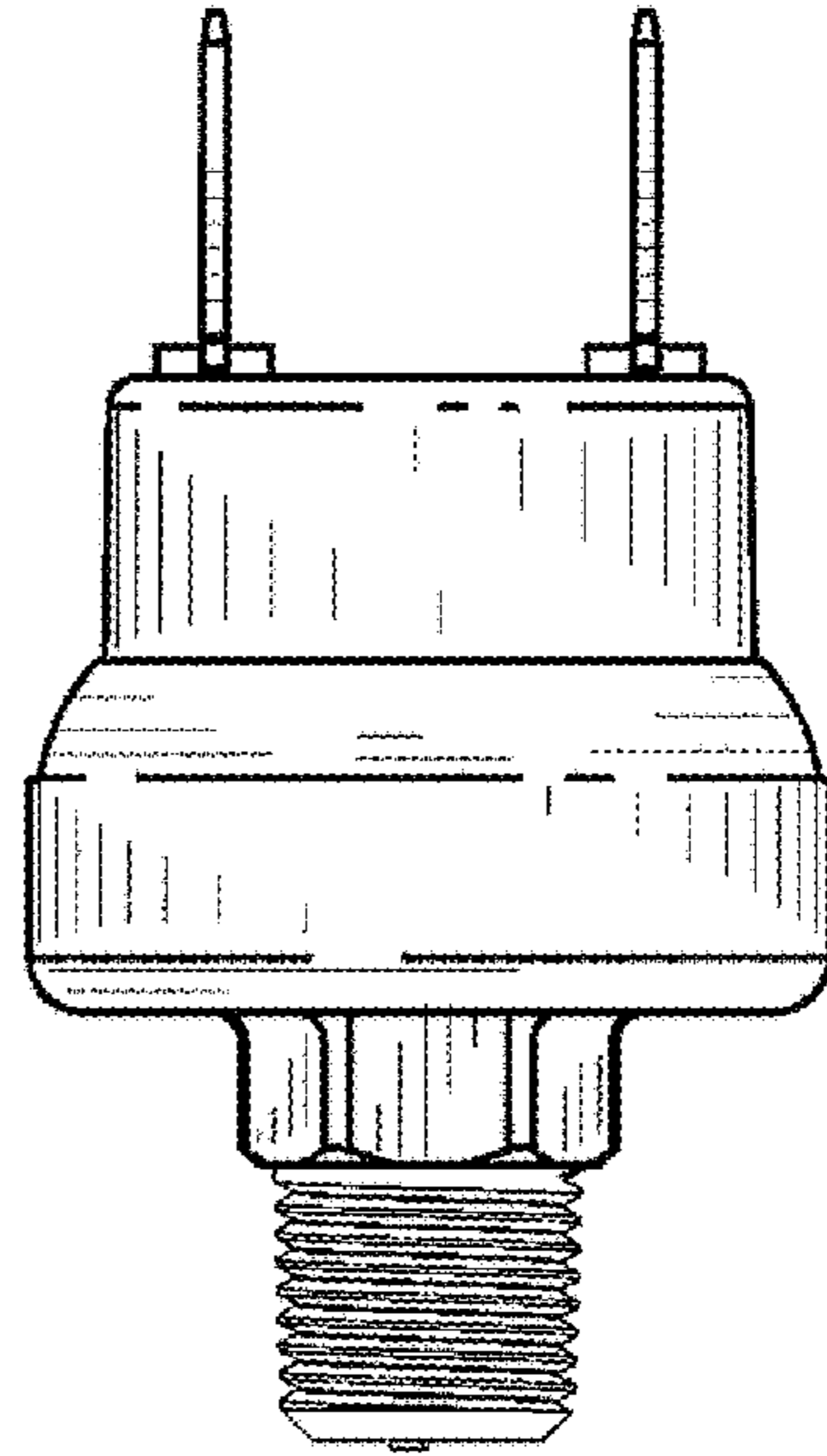


FIG. 10