



US00D836561S

(12) **United States Design Patent** (10) **Patent No.:** **US D836,561 S**
Hung (45) **Date of Patent:** **** Dec. 25, 2018**

(54) **CABLE MANAGEMENT DEVICE**
(71) Applicant: **DELTA ELECTRONICS, INC.,**
Taoyuan (TW)
(72) Inventor: **Ruei-Lin Hung,** Taoyuan (TW)
(73) Assignee: **DELTA ELECTRONICS, INC.,**
Taoyuan (TW)
(**) Term: **15 Years**
(21) Appl. No.: **29/565,420**
(22) Filed: **May 20, 2016**
(51) **LOC (11) Cl.** **13-03**
(52) **U.S. Cl.**
USPC **D13/155**
(58) **Field of Classification Search**
USPC D13/110, 123, 133, 137.1, 139.1, 139.4,
D13/152, 154, 155, 156, 158, 162, 164,
D13/173, 177, 184; D8/349-351, 353,
D8/356, 394, 396; 439/147-149, 373,
439/391, 535, 536, 538; D11/184;
D14/217, 224
CPC H02G 11/02; B65H 2701/3919; B65H
75/48; H01R 13/72
See application file for complete search history.

(56) **References Cited**
U.S. PATENT DOCUMENTS
268,407 A * 12/1882 Hughes A61B 17/132
606/203
964,969 A * 7/1910 Hesterhagen 174/5 R
2,015,404 A * 9/1935 Kiddle H04M 1/15
16/214
2,861,313 A * 11/1958 Hermann A44B 15/00
24/115 H
6,189,186 B1 * 2/2001 Boden F16G 11/14
24/115 H

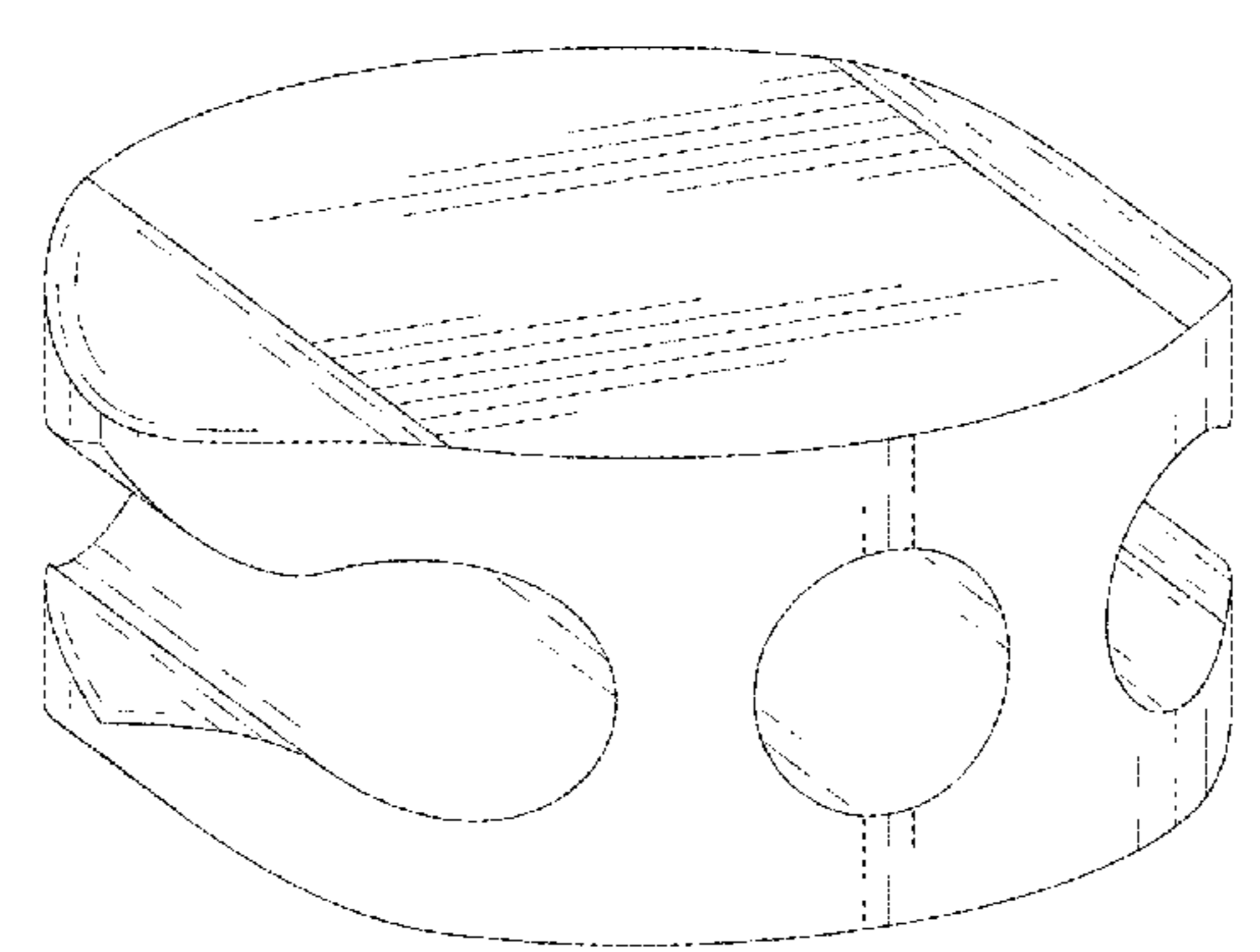
D452,138 S * 12/2001 Murata D8/383
D549,557 S * 8/2007 Mori D8/356
D585,880 S * 2/2009 Sade D14/205
D648,685 S * 11/2011 Symons D13/155
D659,589 S * 5/2012 Dunn D11/184
D679,581 S * 4/2013 Liu D8/395
D684,846 S * 6/2013 DePhillips D8/356
8,602,370 B2 * 12/2013 McKenzie A47G 25/1464
248/215
D763,068 S * 8/2016 Symons D8/383
D786,048 S * 5/2017 Grewal H04R 1/1033
D807,735 S * 1/2018 Nimgulkar D8/367
D808,250 S * 1/2018 Chang D8/356

* cited by examiner
Primary Examiner — Derrick E Holland
Assistant Examiner — Jennifer O King
(74) *Attorney, Agent, or Firm* — Hauptman Ham, LLP

(57) **CLAIM**
The ornamental design for a cable management device, as shown and described.

DESCRIPTION
FIG. 1 is a perspective view of a cable management device showing my new design;
FIG. 2 is a front view thereof;
FIG. 3 is a rear view thereof;
FIG. 4 is a left side view thereof;
FIG. 5 is a right side view thereof;
FIG. 6 is a top view thereof;
FIG. 7 is a bottom view thereof; and,
FIG. 8 is a perspective view showing the cable management device in use for reference.
The broken lines shown represent environmental matter and form no part of the claimed design.

1 Claim, 8 Drawing Sheets



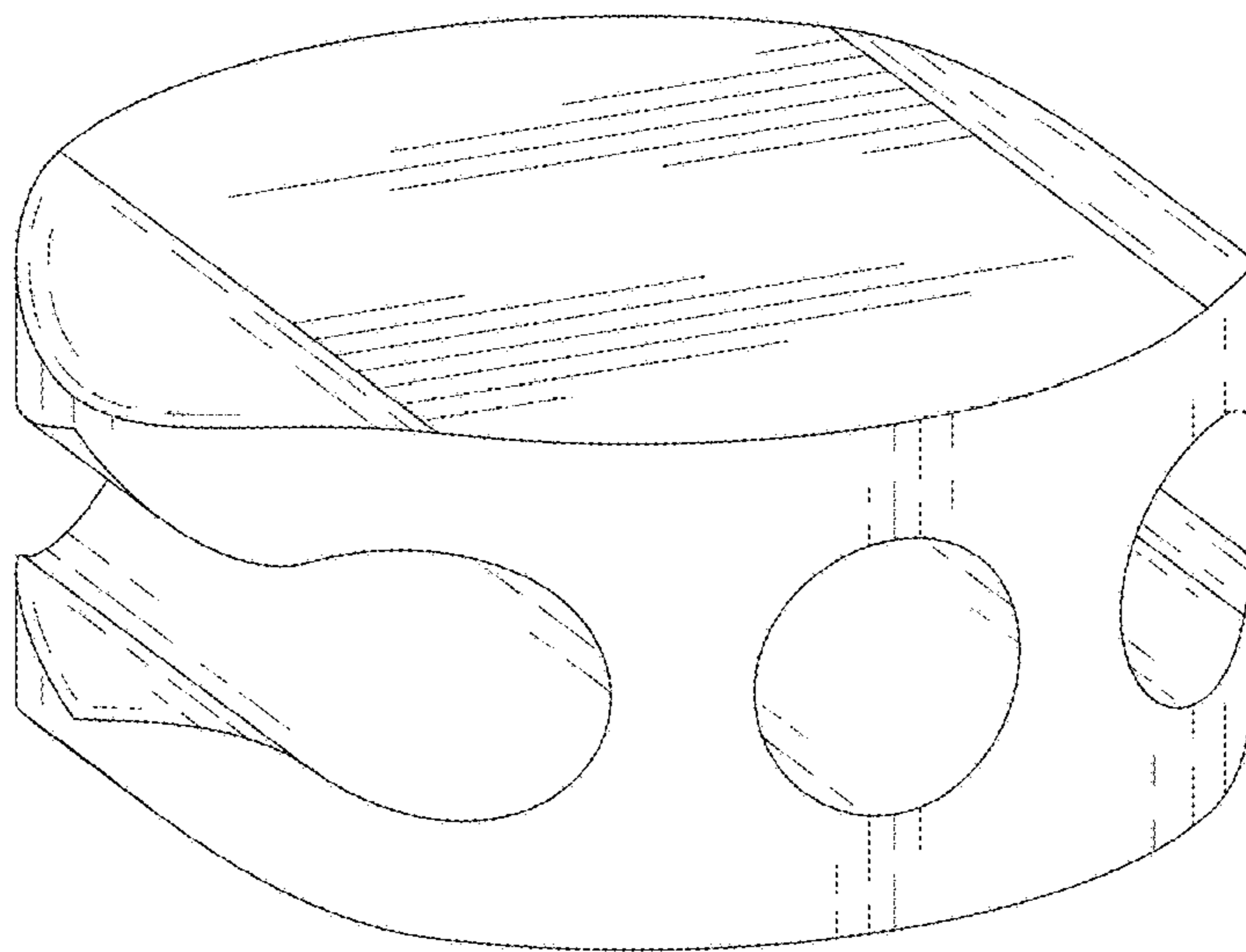


FIG.1

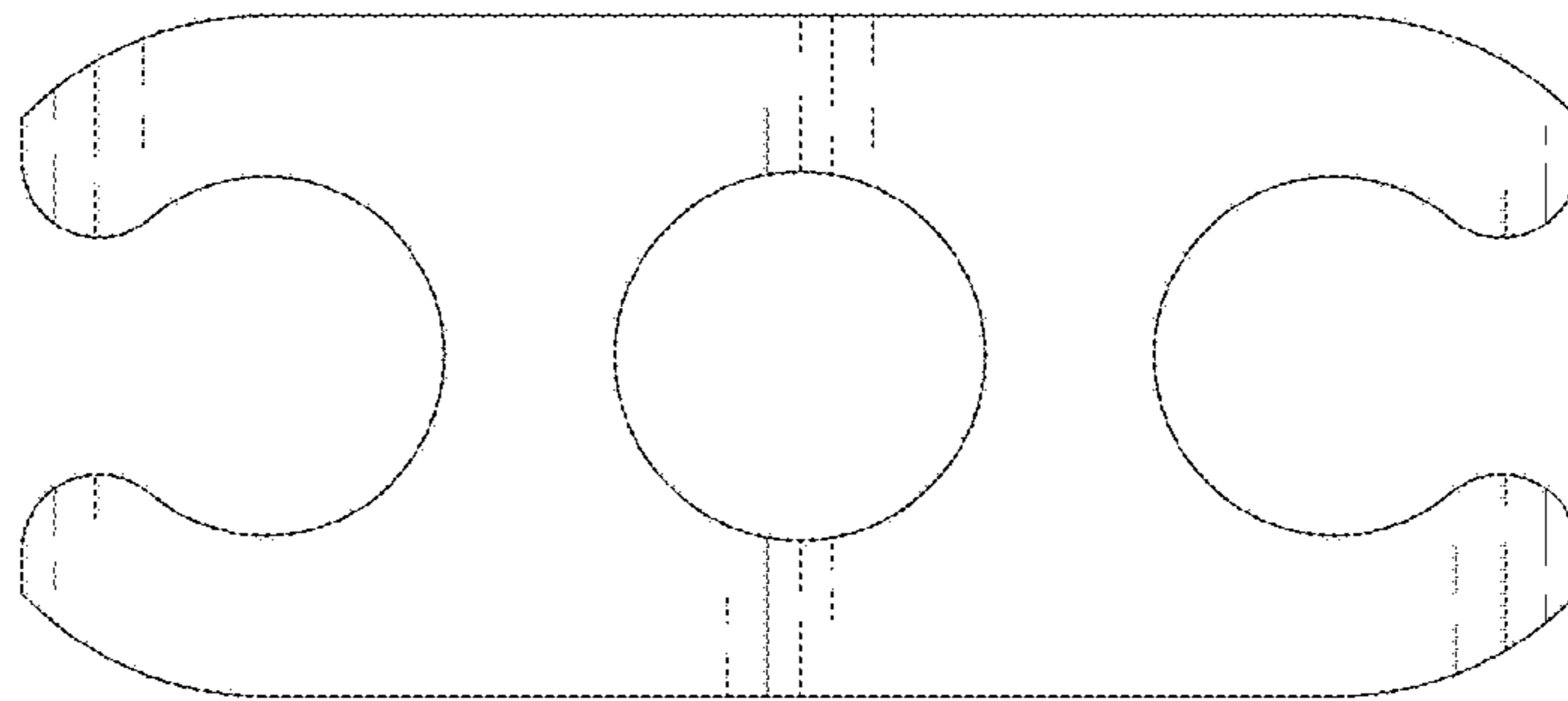


FIG. 2

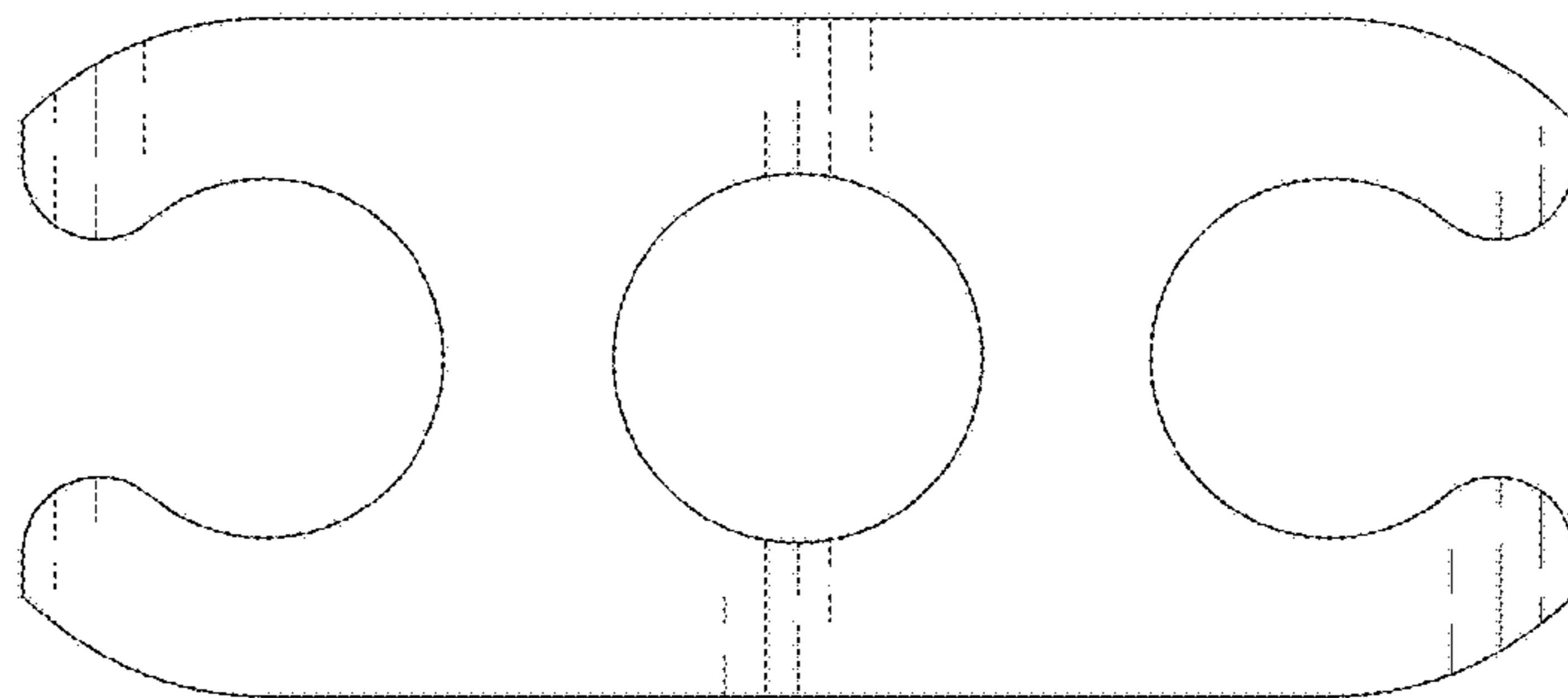


FIG. 3

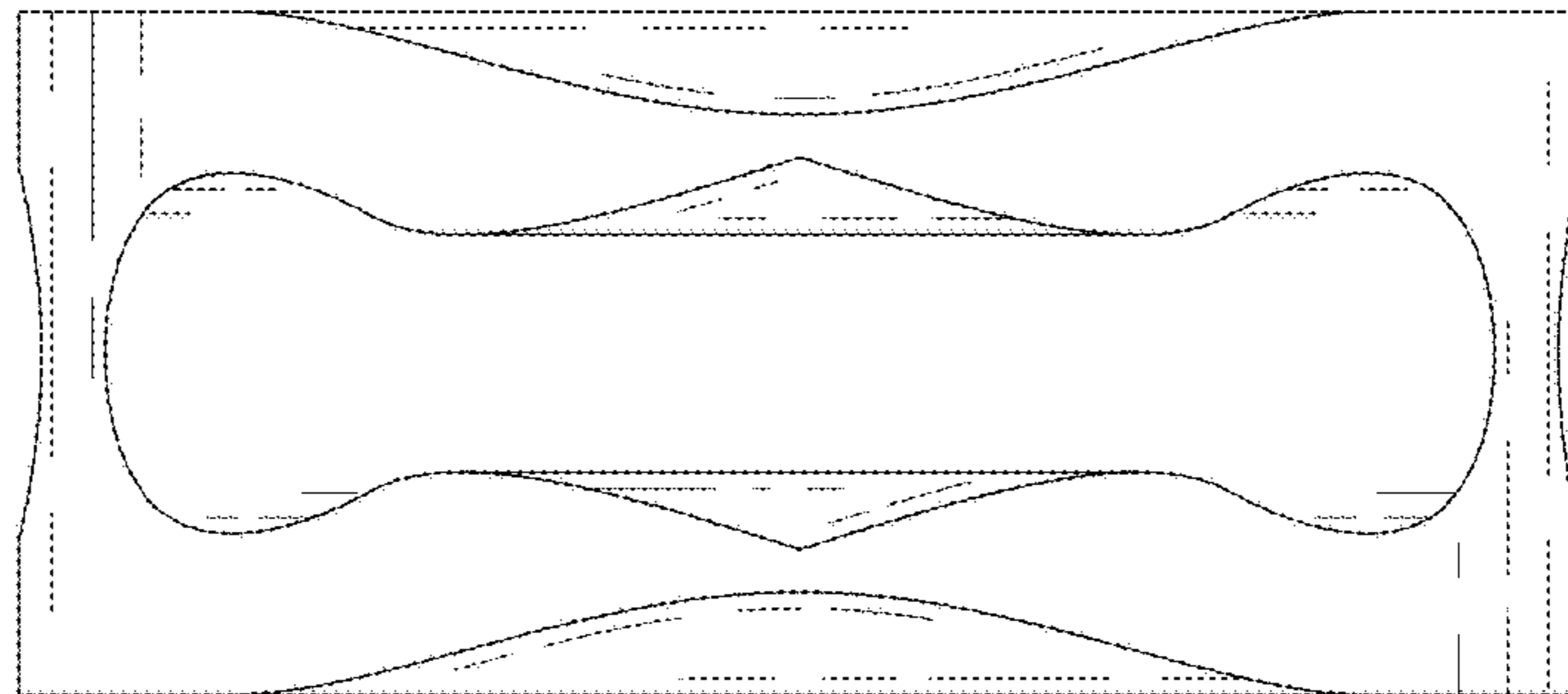


FIG. 4

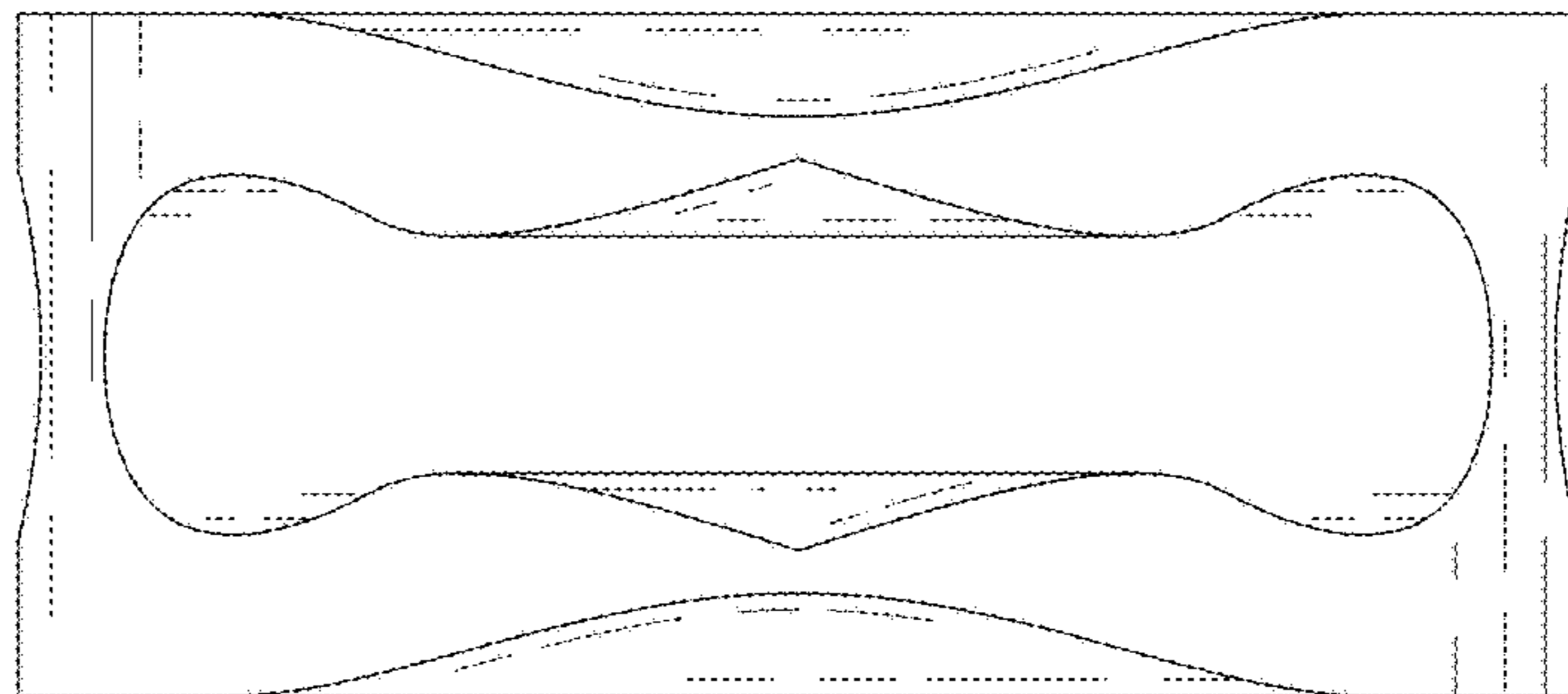


FIG.5

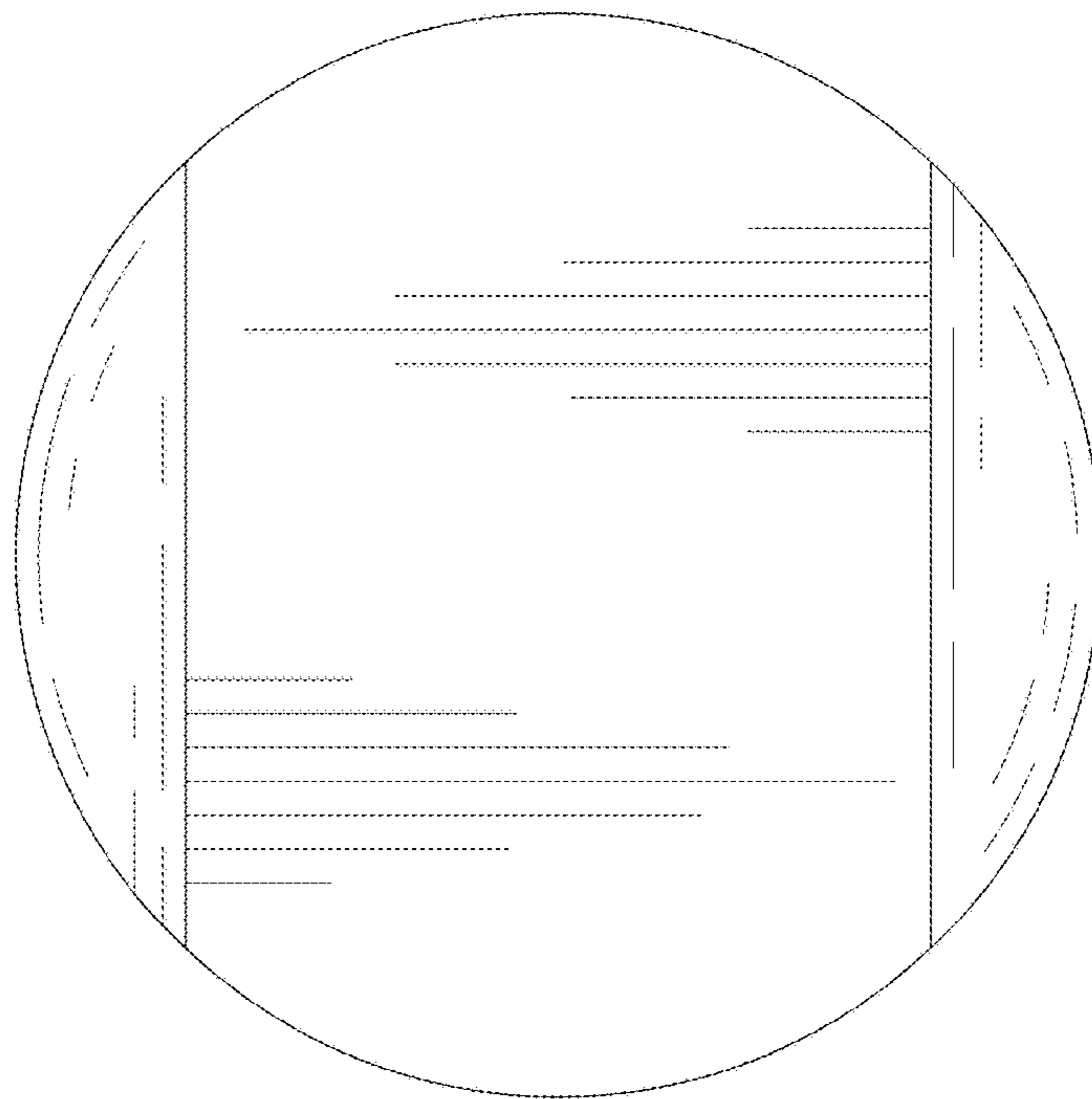


FIG.6

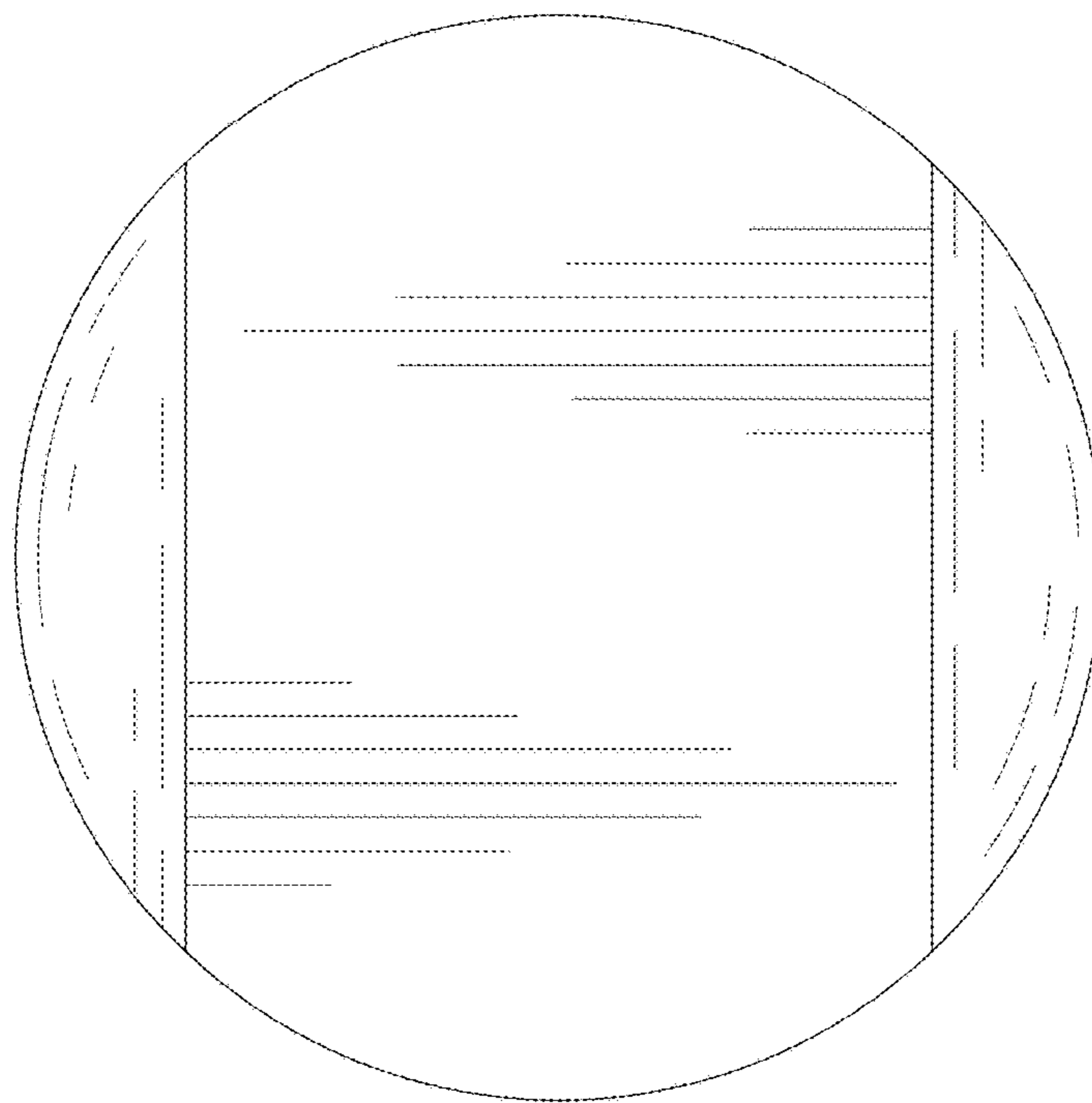


FIG.7

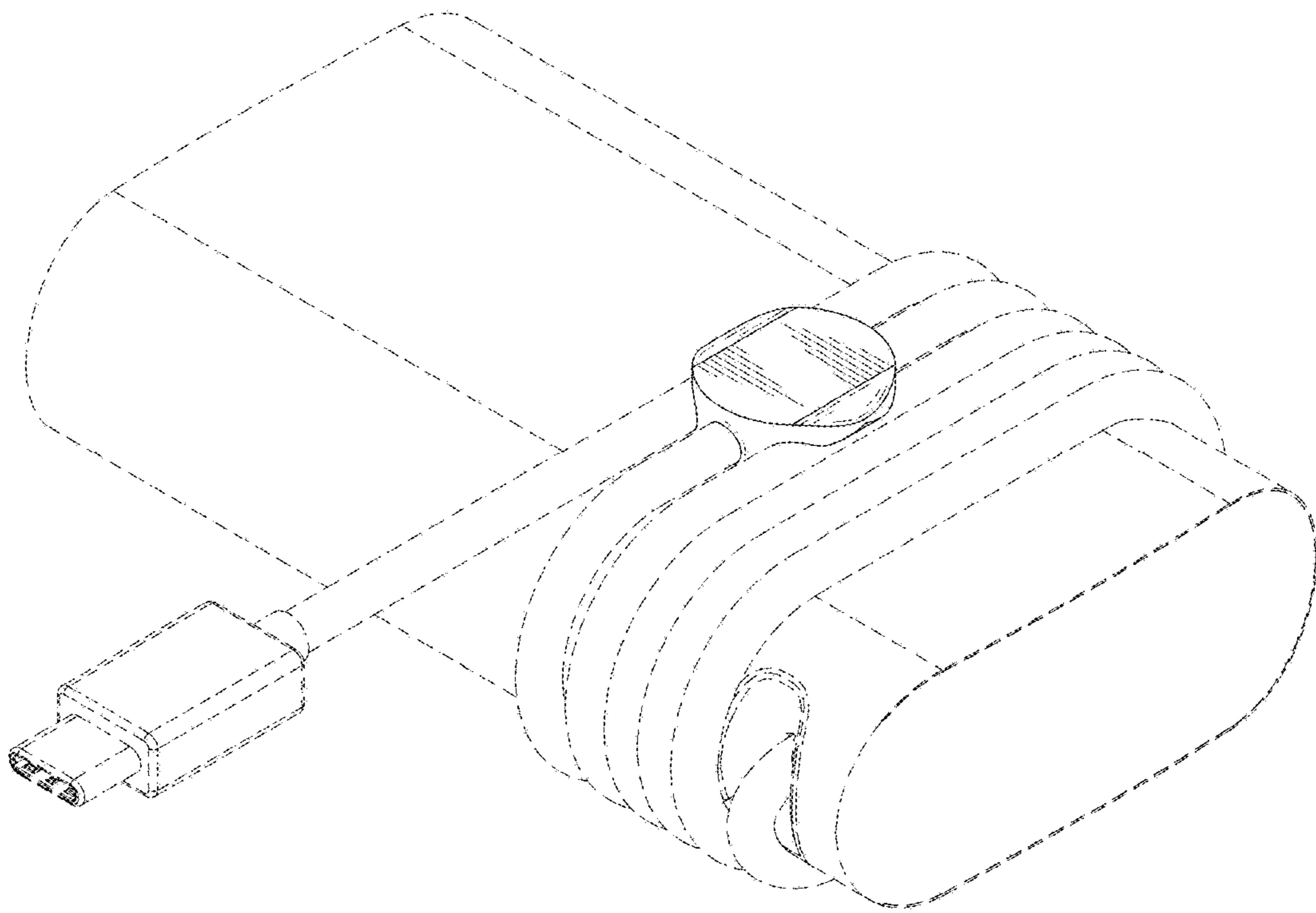


FIG.8