



US00D836560S

(12) **United States Design Patent** (10) **Patent No.:** **US D836,560 S**  
**Temblador et al.** (45) **Date of Patent:** **\*\* Dec. 25, 2018**

- (54) **FLANGE WITH VERTICAL SLOT AND JACK**
- (71) Applicant: **SOUTHWIRE COMPANY, LLC**,  
Carrollton, GA (US)
- (72) Inventors: **Richard Mike Temblador**, Carrollton,  
GA (US); **Myron Dale Deese**,  
Carrollton, GA (US); **Harry William  
Kent, Jr.**, Carrollton, GA (US); **Juan  
Alberto Galindo Gonzalez**, Powder  
Springs, GA (US); **James Philip  
Tuggle**, Carrollton, GA (US); **Franklin  
Clarence Calhoun**, Carrollton, GA  
(US)
- (73) Assignee: **Southwire Company, LLC**, Carrollton,  
GA (US)
- (\*\*) Term: **15 Years**
- (21) Appl. No.: **29/643,214**
- (22) Filed: **Apr. 5, 2018**

**Related U.S. Application Data**

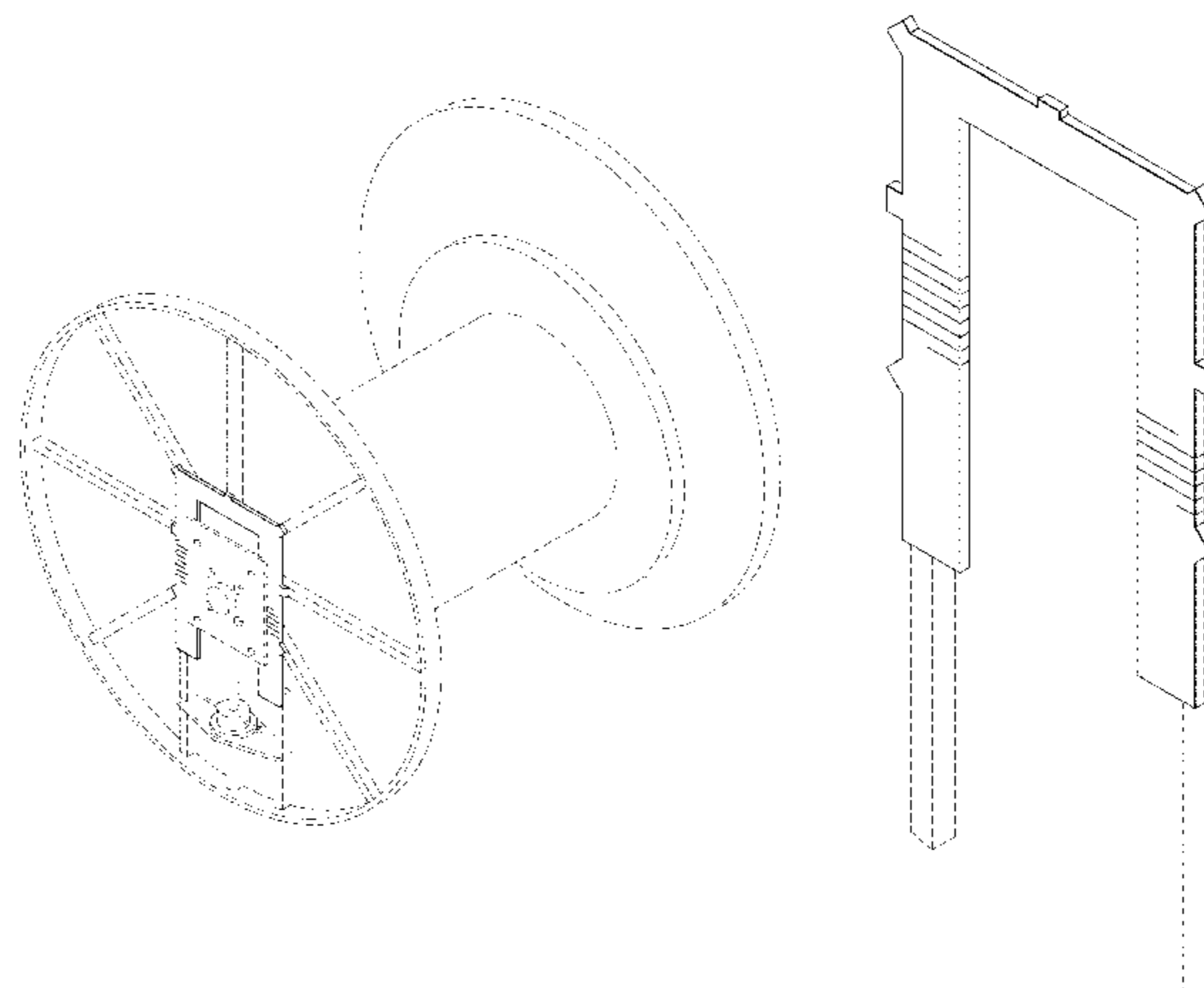
- (63) Continuation of application No. 29/569,124, filed on  
Jun. 23, 2016, now Pat. No. Des. 815,049.
- (51) **LOC (11) Cl.** ..... **13-03**
- (52) **U.S. Cl.**  
USPC ..... **D13/154; D13/155**
- (58) **Field of Classification Search**  
USPC ..... D13/123, 133, 146, 147, 154, 155, 184,  
D13/199  
CPC ..... B65H 16/02; B65H 23/06; H65H 49/26;  
H65H 75/14; H65H 75/18; H65H 75/22;  
H65H 75/30; H65H 75/40; H65H 75/44;  
H65H 75/48  
See application file for complete search history.

**References Cited**

**U.S. PATENT DOCUMENTS**

220,460 A 10/1879 Yobk  
308,411 A 11/1884 Harding

364,434 A	6/1887	Pitmon
486,010 A	11/1892	Wirt
582,451 A	5/1897	Brandon
613,138 A	10/1898	Gempeler
709,932 A	9/1902	Schooley
1,353,541 A	9/1920	Retterer
1,461,939 A	7/1923	Sager
1,561,160 A	11/1925	Ingenthron
1,661,991 A	3/1928	Benit
1,726,137 A	8/1929	Bernal
1,795,853 A	3/1931	Glass
1,852,939 A	4/1932	Schmidt
1,858,825 A	5/1932	Hescock
1,882,950 A	10/1932	Rulon, Jr.
1,949,378 A	2/1934	Roehm
1,961,376 A	6/1934	McIlvried
2,132,043 A	10/1938	Oldham
2,549,224 A	4/1951	Moldovan
2,553,835 A	5/1951	Sachs
2,707,599 A	5/1955	Snyder
2,720,285 A	10/1955	Taylor
2,960,857 A	11/1960	Winter
2,982,491 A	5/1961	Beiderwell
3,009,667 A	11/1961	Browne
3,152,772 A	10/1964	Schjerven
3,184,175 A	5/1965	Geen
3,207,456 A	9/1965	Hill
3,294,338 A	12/1966	O'Brien
3,298,667 A	1/1967	Grantham et al.
3,393,790 A	7/1968	Dixon
3,405,881 A	10/1968	Sanford et al.
3,450,366 A	6/1969	Goldberg
3,633,316 A	1/1972	Belser
3,652,026 A	3/1972	Awebro
3,762,100 A	10/1973	Kempel
3,820,733 A	6/1974	Roederer
3,822,841 A	7/1974	Campbell
3,850,382 A	11/1974	Clingerman et al.
3,860,193 A	1/1975	Green
3,900,967 A	8/1975	Bursk et al.
3,967,412 A	7/1976	Governale
3,976,260 A	8/1976	Irik
3,997,127 A	12/1976	Kovaleski
4,006,562 A	2/1977	Belanger et al.
4,034,933 A	7/1977	Hara et al.
4,047,751 A	9/1977	Koike
4,055,917 A	11/1977	Coller
4,060,272 A	11/1977	Mori
4,074,464 A	2/1978	McCay
4,176,801 A	12/1979	Douglas
4,183,475 A	1/1980	Martija
D254,595 S	4/1980	Hart
4,224,766 A	9/1980	Procton



# US D836,560 S

4,226,383	A	10/1980	Douglas
4,232,837	A	11/1980	Cutler et al.
4,237,664	A	12/1980	Wilmes
4,255,902	A	3/1981	Ruff
4,287,684	A	9/1981	McKann
4,289,418	A	9/1981	Westin et al.
4,290,233	A	9/1981	Hubbard
4,298,174	A	11/1981	Kovaleski
4,310,991	A	1/1982	Seely
4,325,522	A	4/1982	Sauber
4,333,616	A	6/1982	Strouse
4,352,258	A	10/1982	Bursk et al.
4,354,644	A	10/1982	Grant
4,447,012	A	5/1984	Woodruff
4,462,555	A	7/1984	Olson et al.
4,492,405	A	1/1985	Chikaraishi et al.
4,496,186	A	1/1985	Tuchiya et al.
4,513,536	A	4/1985	Giguere
4,549,761	A	10/1985	Lee et al.
4,605,237	A	8/1986	Torgimson
4,626,026	A	12/1986	Hasegawa
4,628,639	A	12/1986	Lownsdale
4,686,793	A	8/1987	Mills
4,716,683	A	1/1988	Minter
4,726,147	A	2/1988	Beske et al.
4,746,078	A	5/1988	Setzke
4,747,561	A	5/1988	Sweeny et al.
4,784,221	A	11/1988	Share et al.
4,807,923	A	2/1989	Nakamura
4,825,507	A	5/1989	Killingstad
4,831,779	A	5/1989	Kehrli et al.
4,919,471	A	4/1990	Seino et al.
4,948,064	A	8/1990	Richard
5,040,739	A	8/1991	Wolf et al.
5,054,745	A	10/1991	Swayze et al.
5,060,882	A	10/1991	Rousculp et al.
5,113,976	A	5/1992	Noakes
D347,988	S	6/1994	Thorne
D354,572	S	1/1995	Headrick
5,379,965	A	1/1995	Isler et al.
5,490,805	A	2/1996	Bredesen
5,611,173	A	3/1997	Headrick et al.
D385,525	S	10/1997	Beavers et al.
5,743,486	A	4/1998	Bulman
5,752,670	A	5/1998	Lasecki et al.
5,868,348	A	2/1999	Bulman
5,908,172	A	6/1999	Pierro et al.
6,105,604	A	8/2000	Furness
6,122,864	A	9/2000	Martin
6,138,413	A	10/2000	Fehr
6,161,343	A	12/2000	Young
6,193,185	B1	2/2001	Kim
6,299,100	B1	10/2001	Cloud
6,305,409	B1	10/2001	Furness
6,318,665	B1	11/2001	King
6,419,184	B1	7/2002	Oppmann et al.
6,435,450	B1	8/2002	Shields et al.
D488,243	S	4/2004	Babka et al.
6,978,960	B2	12/2005	Schaller
7,222,818	B2	5/2007	Couchey et al.
7,594,771	B2	9/2009	Mindler
D613,231	S	4/2010	Anderson et al.
7,861,904	B1	1/2011	Taylor et al.
7,874,511	B2	1/2011	Chiorgno et al.
8,016,267	B2	9/2011	Jordan et al.
8,245,965	B2	8/2012	Andrea et al.
8,272,591	B2	9/2012	Baranov et al.
8,403,345	B2	3/2013	Iossa et al.
8,444,078	B1	5/2013	Brown et al.
8,602,341	B2	12/2013	Land
8,616,485	B2	12/2013	Iossa
D709,932	S	7/2014	Schuetz et al.
9,027,908	B1	3/2015	Calhoun et al.
9,004,392	B1	4/2015	Bigbee, Jr. et al.
9,016,607	B2	4/2015	Wong et al.
D742,733	S *	11/2015	Galindo Gonzalez ..... D8/396
9,409,744	B2	8/2016	Jordan et al.
9,452,908	B1	9/2016	Bigbee, Jr. et al.
9,617,112	B1	4/2017	Temblador et al.

D787,024	S	5/2017	Ball
9,828,209	B2	11/2017	Temblador et al.
D815,049	S *	4/2018	Temblador ..... D13/154
2007/0181739	A1	8/2007	Derendal
2007/0257146	A1	11/2007	Fleming
2008/0048063	A1	2/2008	Wells et al.
2010/0044490	A1	2/2010	Fleming
2011/0162916	A1	7/2011	Saliger et al.
2012/0104146	A1	5/2012	Perry
2012/0199683	A1	8/2012	Cox et al.
2012/0223179	A1	9/2012	Galindo Gonzalez et al.
2013/0284852	A1	10/2013	Fuller et al.
2014/0091770	A1	4/2014	Lee et al.
2014/0193235	A1	7/2014	Kennedy et al.
2015/0291386	A1	10/2015	Watkins
2015/0321876	A1	11/2015	Galindo Gonzalez et al.
2015/0322980	A1	11/2015	Giacalone et al.
2017/0081147	A1	3/2017	Mickey et al.
2017/0210589	A1	7/2017	Temblador et al.
2017/0275131	A1	9/2017	Temblador et al.

## FOREIGN PATENT DOCUMENTS

CA	2869183	A1	12/2013
CN	203922263	U	11/2014
DE	10232897	A1	3/2005
DE	102010021357	A1	2/2011
DE	102004008328	A1	5/2015
FR	2425486	A1	12/1979
GB	711140	A	6/1954
GB	719830	A	12/1954
GB	954244	A	4/1964
GB	1015528	A	1/1966
GB	1048101	A	11/1966
JP	60052444	A	3/1985
JP	5127317	B2	5/1993
WO	0208107	A1	1/2002
WO	03035529	A1	5/2003
WO	2012158485	A1	2/2014

## OTHER PUBLICATIONS

Non-Final Office Action dated Dec. 12, 2011 in U.S. Appl. No. 12/604,883, 11 pages.

Notice of Allowance dated Apr. 16, 2012 in U.S. Appl. No. 12/604,883, 7 pages.

Encore Wire Corporation YouTube.com video for Reel Payoff®, published on Feb. 6, 2013, retrieved on May 23, 2016 from <https://www.youtube.com/watch?v=KnXJGTtWY0E>.

Encore Wire Corporation, Reel Payoff, Copyright 2013 Encore Wire Corporation, 1 page.

Southwire Reel Data, Copyright 2014, Southwire Company, 5 pages.

Tidland Raptor Series Air Powered Lug Chucks, Copyright 2015 Maxcess International, Inc., 5 pages. Last Accessed Sep. 17, 2015 <http://www.maxcessintl.com/core-chucks/tidland-raptor-series-air-powered-lug-chucks>.

Double E Company, Core Chucks, DF-2000 Torque Activated Core Chucks, Copyright 2015 Double E Company L.L.C., 5 pages. Last Accessed Sep. 17, 2015 <http://ee-co.com/products/torque-activated-shaftless-core-chucks>.

Double E Company, Core Chucks, PC-4000 Torque-Independent Core Chucks, Copyright 2015 Double E Company L.L.C., 2 pages. Last Accessed Sep. 17, 2015 <http://ee-co.com/products/pc4000-torque-independent-core-chuck>.

Non-Final Office Action dated Dec. 22, 2015 in U.S. Appl. No. 14/198,348, 10 pages.

Notice of Allowance dated Jul. 8, 2015 in Design U.S. Appl. No. 29/488,243, 8 pages.

Wire Wizard Dereeling Arms Specification Sheets, 2 pages. Last Accessed Sep. 17, 2015 [http://www.wire-wizard.com/spec\\_sheets/DereelingArms\\_11-5-12.pdf](http://www.wire-wizard.com/spec_sheets/DereelingArms_11-5-12.pdf).

Cable Reel Trolley—Large, Brandon Tool Hire, Retrieved on Apr. 6, 2016 from: <http://www.brandontoolhire.co.uk/en/moving-and-winchng/672-cable-reel-trolley-large.html>.

DTS1 Drum Tip Stand, SEB International, Retrieved on Apr. 6, 2016 from: <http://www.sebinternational.com/shop.php?sec=prod&prod=75>.

International Search Report with Written Opinion dated Nov. 7, 2016 in PCT Application No. PCT/US16/47592, 12 pages.

Lever Action Cable Reel Jack, WCT Products, Retrieved on Apr. 6, 2016 from: <http://www.wctproducts.com/products/reels/lever-action-reel-jack.php>.

Non-Final Office Action dated Apr. 25, 2016 in U.S. Appl. No. 14/198,348, 9 pages.

Non-Final Office Action dated Oct. 13, 2016 in U.S. Appl. No. 15/239,163, 13 pages.

Non-Final Office Action dated Nov. 15, 2016 in U.S. Appl. No. 15/287,429, 16 pages.

Notice of Allowance dated Dec. 2, 2016 in U.S. Appl. No. 15/239,163, 9 pages.

Corrected Notice of Allowability dated Feb. 27, 2017 in U.S. Appl. No. 15/239,163, 2 pages.

Notice of Allowance dated Mar. 15, 2017 in U.S. Appl. No. 15/287,429, 9 pages.

Notice of Allowance dated Dec. 12, 2017 in U.S. Appl. No. 29/569,124, 8 pages.

Notice of Allowance dated Jul. 25, 2017 in U.S. Appl. No. 15/287,429, 7 pages.

Non-Final Office Action dated May 4, 2018 in U.S. Appl. No. 15/482,025, 8 pages.

Notice of Allowance dated Jan. 19, 2018 in U.S. Appl. No. 29/569,122, 11 pages.

Notice of Allowance dated Mar. 14, 2018 in U.S. Appl. No. 29/569,122, 5 pages.

Schlumpf USA, SDE Pneumatic Core Chucks, 1 page. Last Accessed Sep. 17, 2015 <http://www.schlumpf-inc.com/products/chucks/pneumatic-core-chucks/>.

PC-4000 Torque Independent Core Chuck, The DoubleECompany <https://youtu.be/FdFTirmJ2SE> (:35-:60).

DF-2000 Torque Activated Shaftless Core Chucks, The DoubleECompany [https://youtu.be/X\\_LKv4iaiig](https://youtu.be/X_LKv4iaiig) (:40-:60).

Servicing Tidland Raptor Series Air Powered Chucks, Maxcess Webex, Fife, Tidland, Magpowr <https://youtu.be/JfRUJHOSE-U> (:40-:60).

MP J02 Maxis Pro-Jax Reel Stands, Southwire Company, LLC <http://www.southwiretools.com/tools/tools/MPJ02>.

Maxis ProJax, Southwire Company, LLC <https://www.youtube.com/watch?v=8f2V1YwfeeY> (2:00-2:07; 1:49-1:53; and 2:40-3:04).

Maxis Pro Jax Reel Stands, SchellCompany <https://www.youtube.com/watch?v=UUZHRy7Q9vs> (:19-:24).

McMaster-Carr Catalog, Ball Bearings, available at <http://www.mcmaster.com/#r6-ball-bearings/=12hbnve>.

\* cited by examiner

*Primary Examiner* — Daniel Bui

(74) *Attorney, Agent, or Firm* — Shook, Hardy and Bacon L.L.P.

(57)

**CLAIM**

The ornamental design for a flange with vertical slot and jack, as shown and described.

**DESCRIPTION**

FIG. 1 is a perspective view of a flange with vertical slot and jack in use condition, showing our new design;

FIG. 2 is a perspective view of a flange with vertical slot and jack thereof;

FIG. 3 is a front view thereof; and,

FIG. 4 is a back view thereof.

The evenly spaced broken lines shown in the drawings are directed to environment, are for informational purposes only, and form no part of the claimed design.

The surface shading on the claimed portion is provided only to indicate the character and/or any contour or curvature of the surfaces. It does not indicate color, texture, markings that actually exist thereon, indicia, graphic representations, surface treatment, or any other ornamentation applied to the article.

It is recognized that the inventive aspects of the current design exist in the flange aperture as a whole, in all individual portions and elements thereof, and in all combinations of portions and elements thereof. As such, Applicant reserves the right to amend this application and/or to file one or more divisional and/or continuation applications to specifically claim the parts as a whole, to specifically claim individual portions or elements thereof, and/or to specifically claim combinations of portions and elements thereof.

**1 Claim, 3 Drawing Sheets**

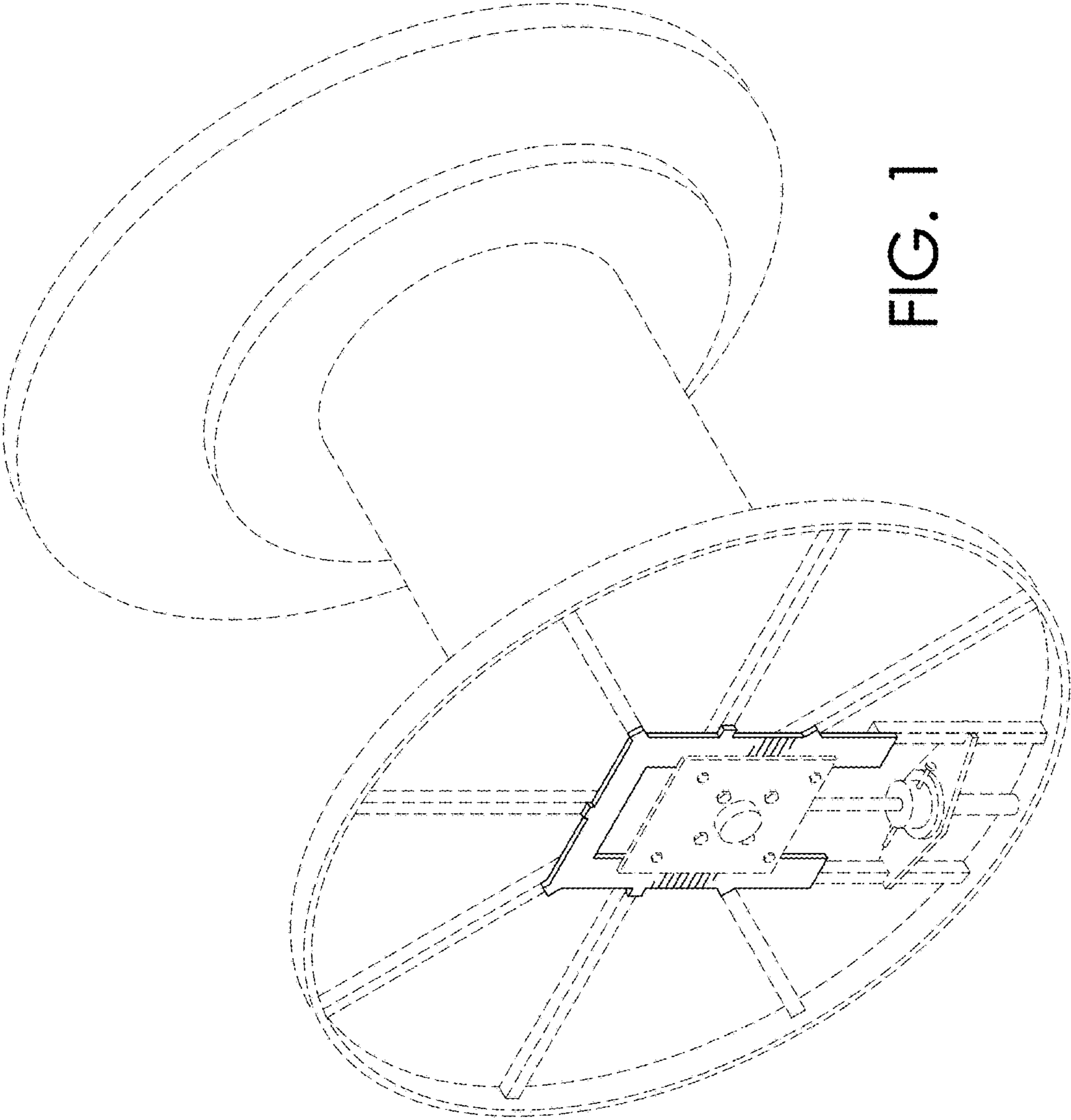


FIG. 1

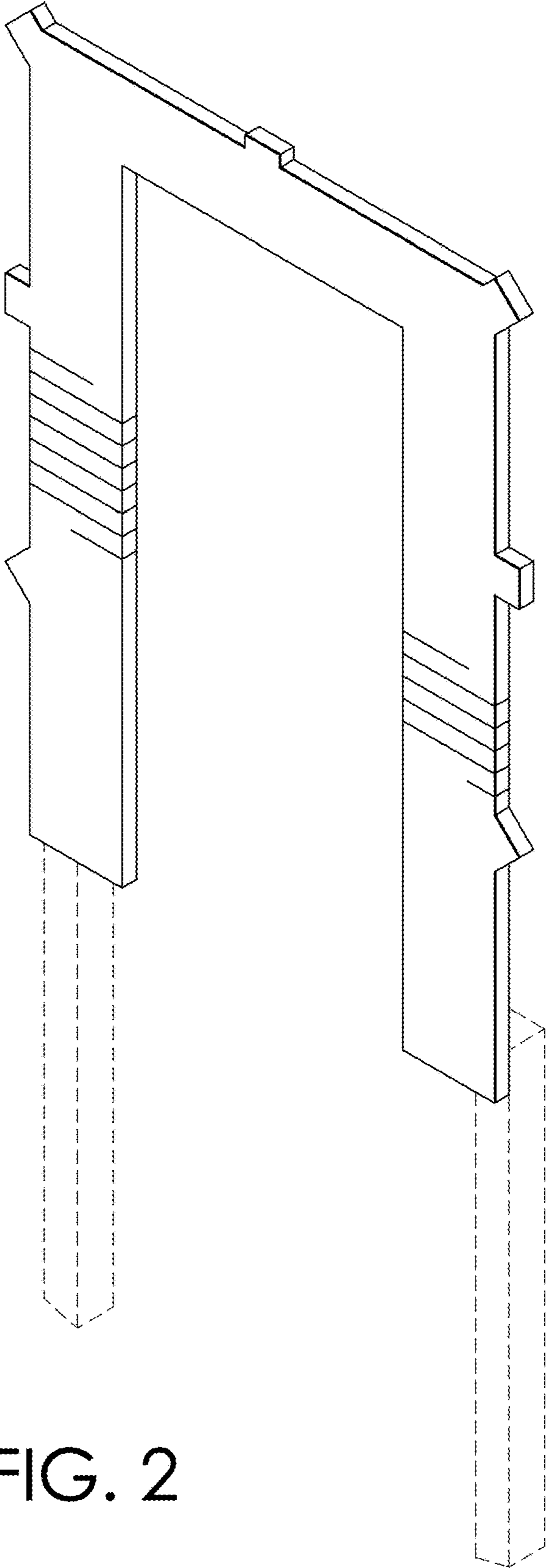


FIG. 2

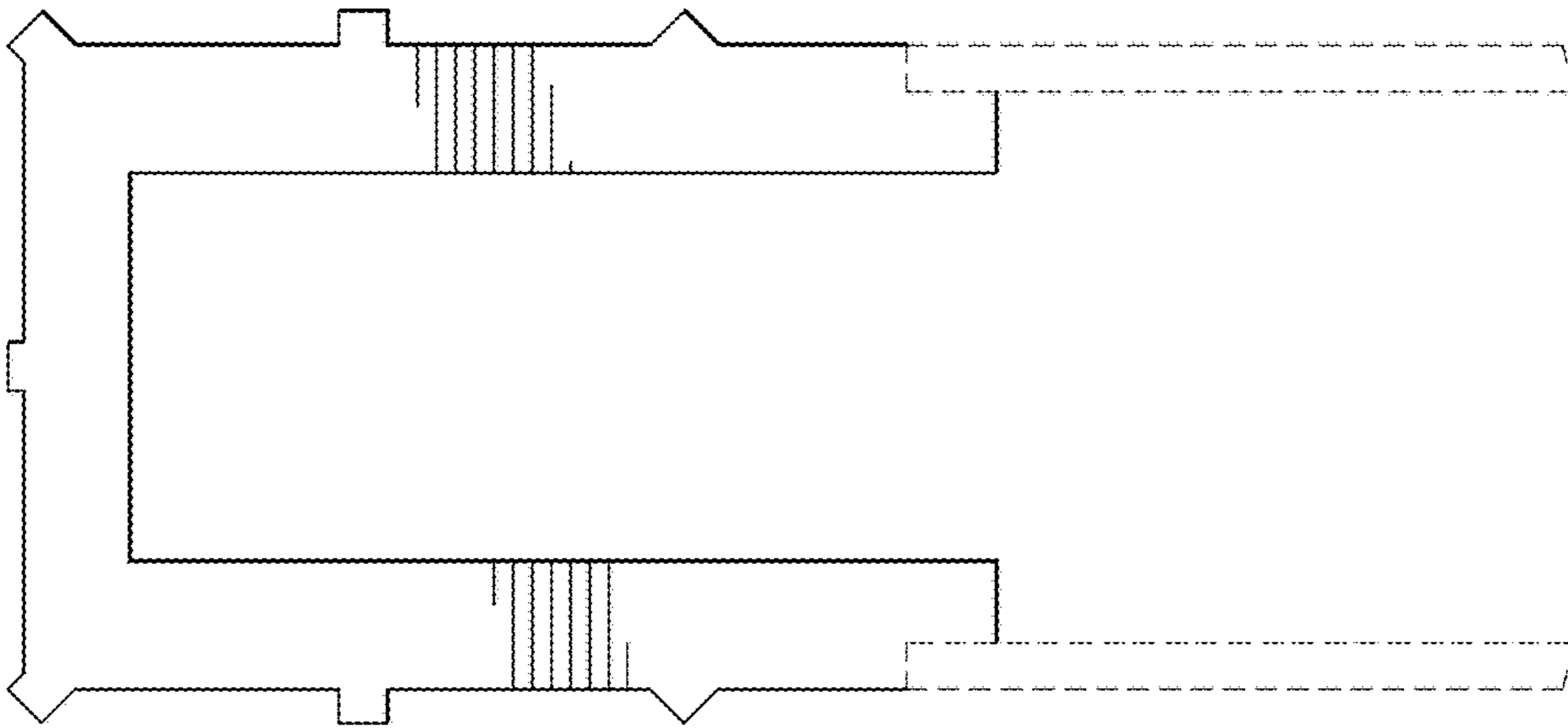


FIG. 4

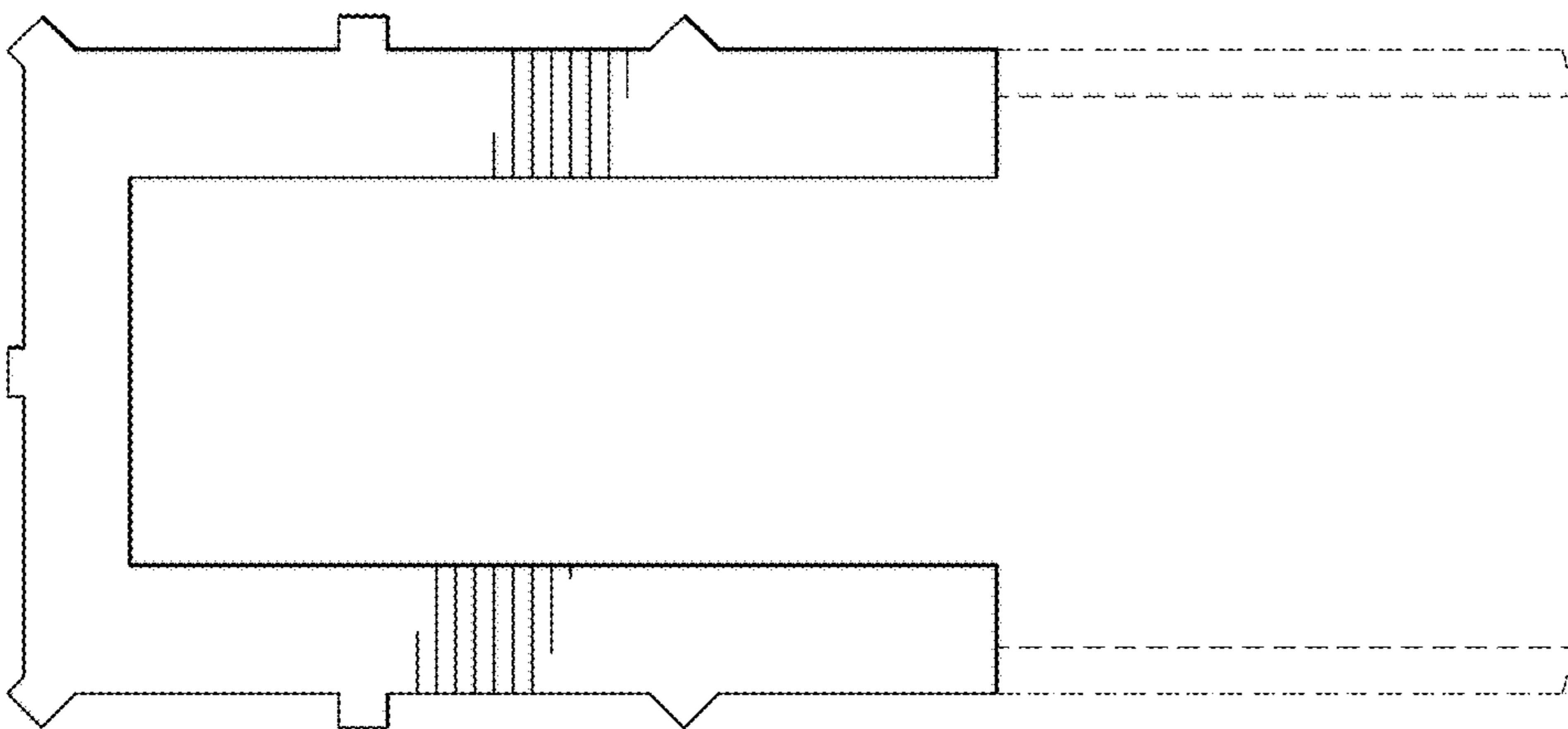


FIG. 3