



US00D836558S

(12) **United States Design Patent** (10) **Patent No.:** **US D836,558 S**
Paterson et al. (45) **Date of Patent:** **** Dec. 25, 2018**

- (54) **CONTROLLER CABLE**
- (71) Applicant: **GoPro, Inc.**, San Mateo, CA (US)
- (72) Inventors: **Michael Paterson**, San Francisco, CA (US); **Huy Phuong Nguyen**, San Mateo, CA (US); **Ryan Harrison**, Walpole, NH (US); **Mitalee Desai**, Santa Rosa, CA (US)
- (73) Assignee: **GoPro, Inc.**, San Mateo, CA (US)
- (**) Term: **15 Years**
- (21) Appl. No.: **29/568,174**
- (22) Filed: **Jun. 15, 2016**
- (51) **LOC (11) Cl.** **13-03**
- (52) **U.S. Cl.**
USPC **D13/153**
- (58) **Field of Classification Search**
USPC D13/153, 110, 168, 107, 144, 155, 133,
D13/146; D28/65
CPC H01R 24/00; H01R 24/28; H01R 13/66;
H01B 11/1008
See application file for complete search history.

D790,475 S * 6/2017 Sheikh D13/153
D818,966 S * 5/2018 Paterson D13/153
D820,786 S * 6/2018 Fawcett D13/133
(Continued)

OTHER PUBLICATIONS

Amazon.com: GoPro Karma Grip Extension Cable. Published Mar. 29, 2017, 1 page. Retrieved from the internet at <<https://www.amazon.com/GoPro-Karma-Grip-Extension-Cable/dp/B06XH8LC7Z/>>, May 18, 2017.

Primary Examiner — Rhea Shields
(74) *Attorney, Agent, or Firm* — Young Basile Hanlon & MacFarlane, P.C.

(57) **CLAIM**

The ornamental design for a controller cable, as shown and described.

DESCRIPTION

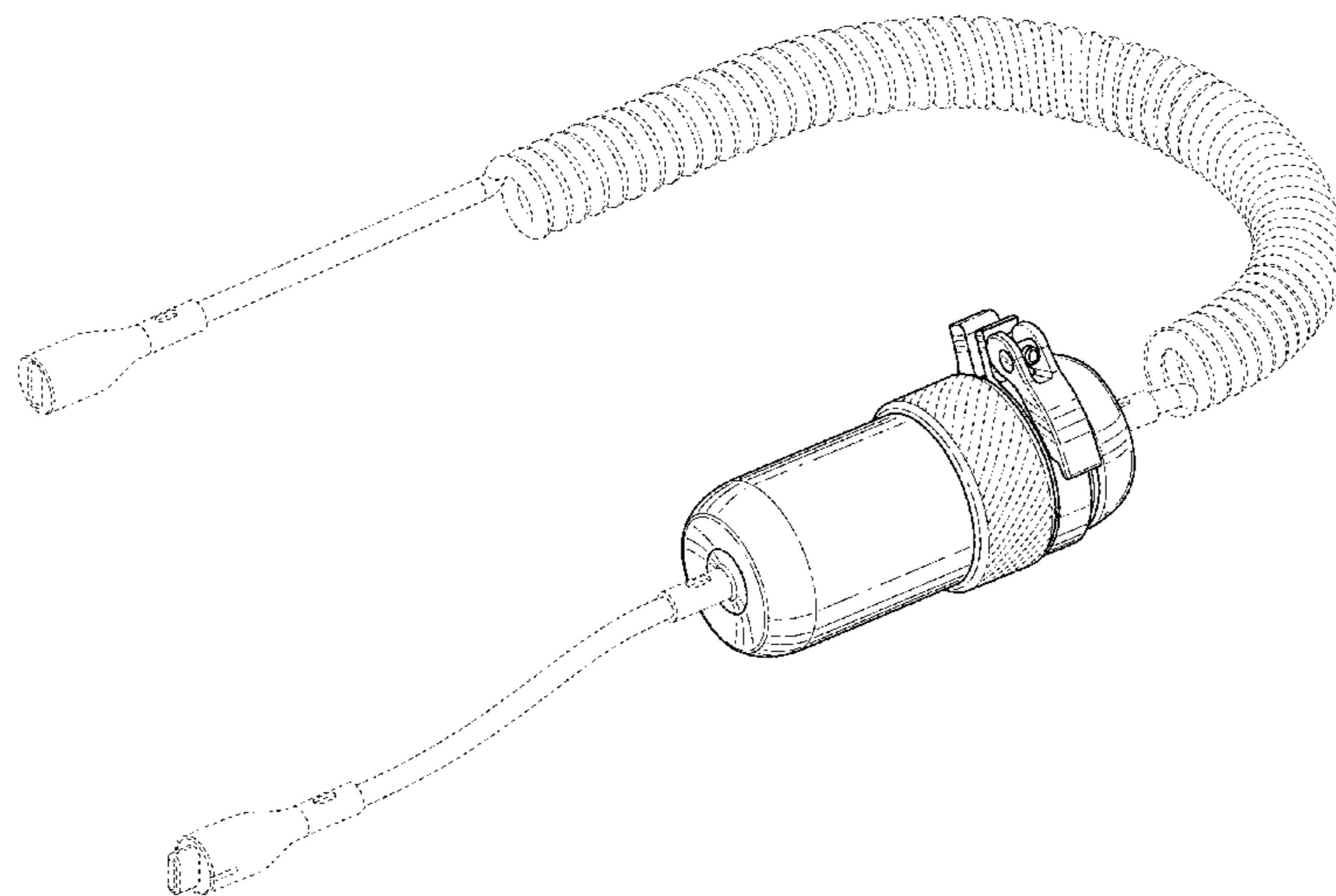
FIG. 1 is a front, top, and right side perspective view of a first embodiment of a controller cable;
FIG. 2 is a front, bottom, and left side perspective view thereof;
FIG. 3 is a rear, top, and right side perspective view thereof;
FIG. 4 is a rear, bottom, and left side perspective view thereof;
FIG. 5 is a top plan view thereof;
FIG. 6 is a bottom plan view thereof;
FIG. 7 is a front elevational view thereof;
FIG. 8 is a rear elevational view thereof;
FIG. 9 is a left side elevational view thereof; and,
FIG. 10 is a right side elevational view thereof.
The broken lines in the drawings showing portions of the controller cable are included for the purpose of illustrating environmental structure and form no part of the claimed design.

(56) **References Cited**

U.S. PATENT DOCUMENTS

- D408,787 S * 4/1999 Seragnoli D13/107
- D409,568 S * 5/1999 Lindahl D13/107
- D571,044 S * 6/2008 Conte D28/65
- D580,857 S * 11/2008 Matthew D13/110
- D581,371 S * 11/2008 Richmond D13/168
- D585,375 S * 1/2009 Andre D13/133
- D592,633 S * 5/2009 Hynecsek D14/155
- D595,654 S * 7/2009 Andre D13/133
- D607,404 S * 1/2010 Orion D13/110
- D624,500 S * 9/2010 Chan D13/144
- D719,916 S * 12/2014 Cheng D13/144
- D727,850 S * 4/2015 Easterly, III D13/144
- D763,194 S * 8/2016 Liu D13/144
- D767,488 S * 9/2016 Esses D13/107

1 Claim, 10 Drawing Sheets



(56)

References Cited

U.S. PATENT DOCUMENTS

D826,862 S * 8/2018 Salman D13/146
D826,866 S * 8/2018 Fawcett D13/153

* cited by examiner

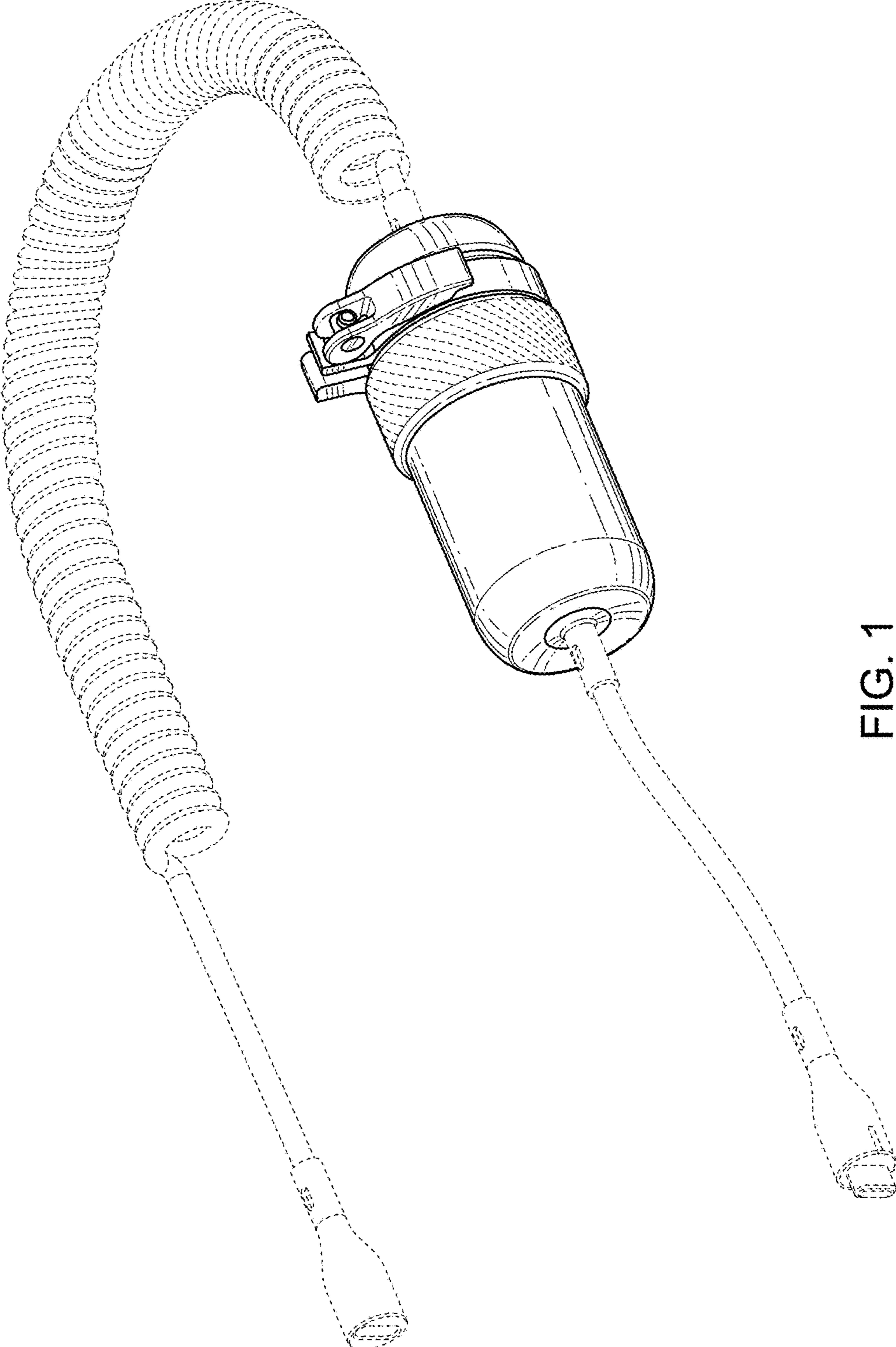


FIG. 1

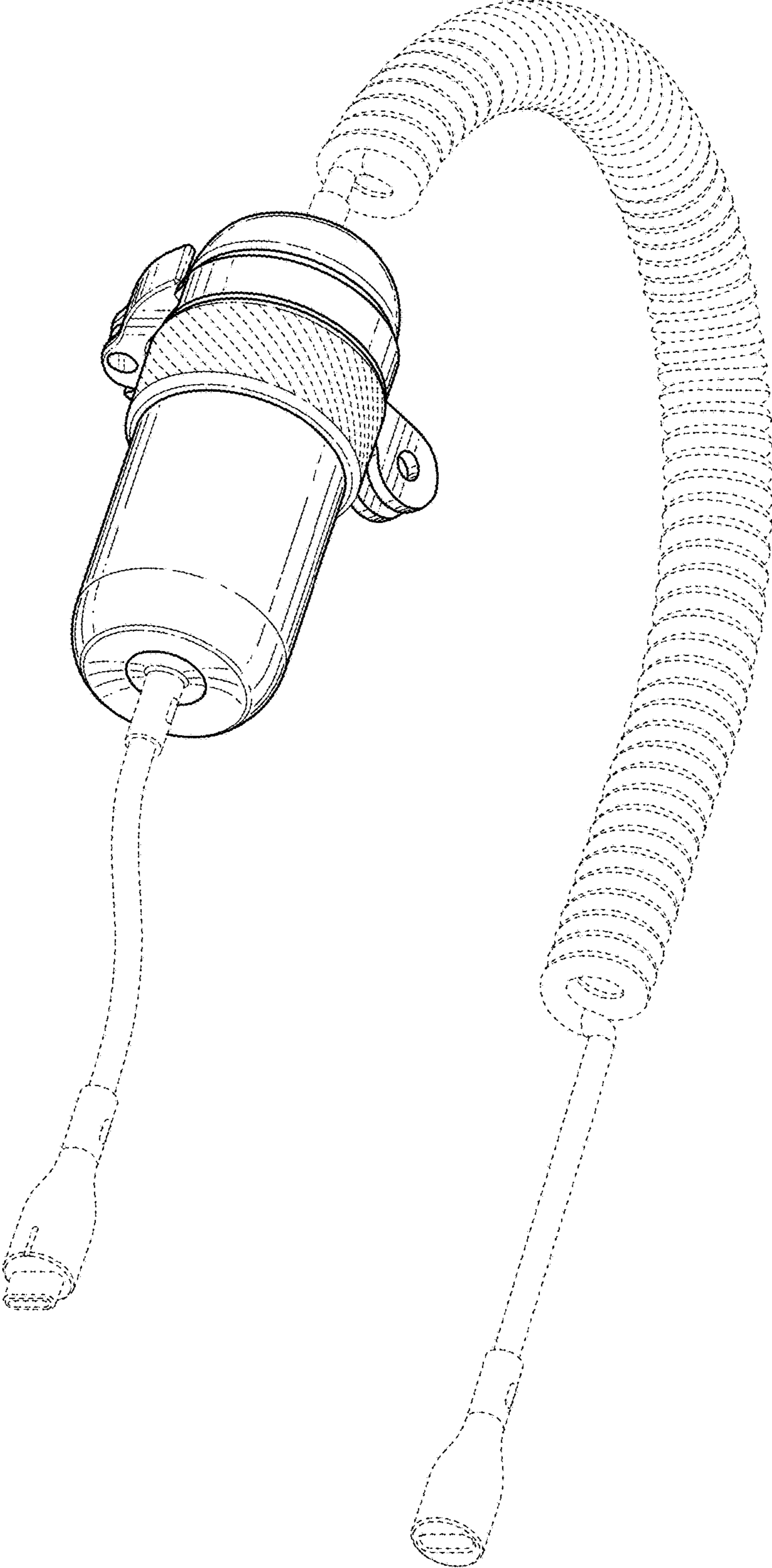


FIG. 2

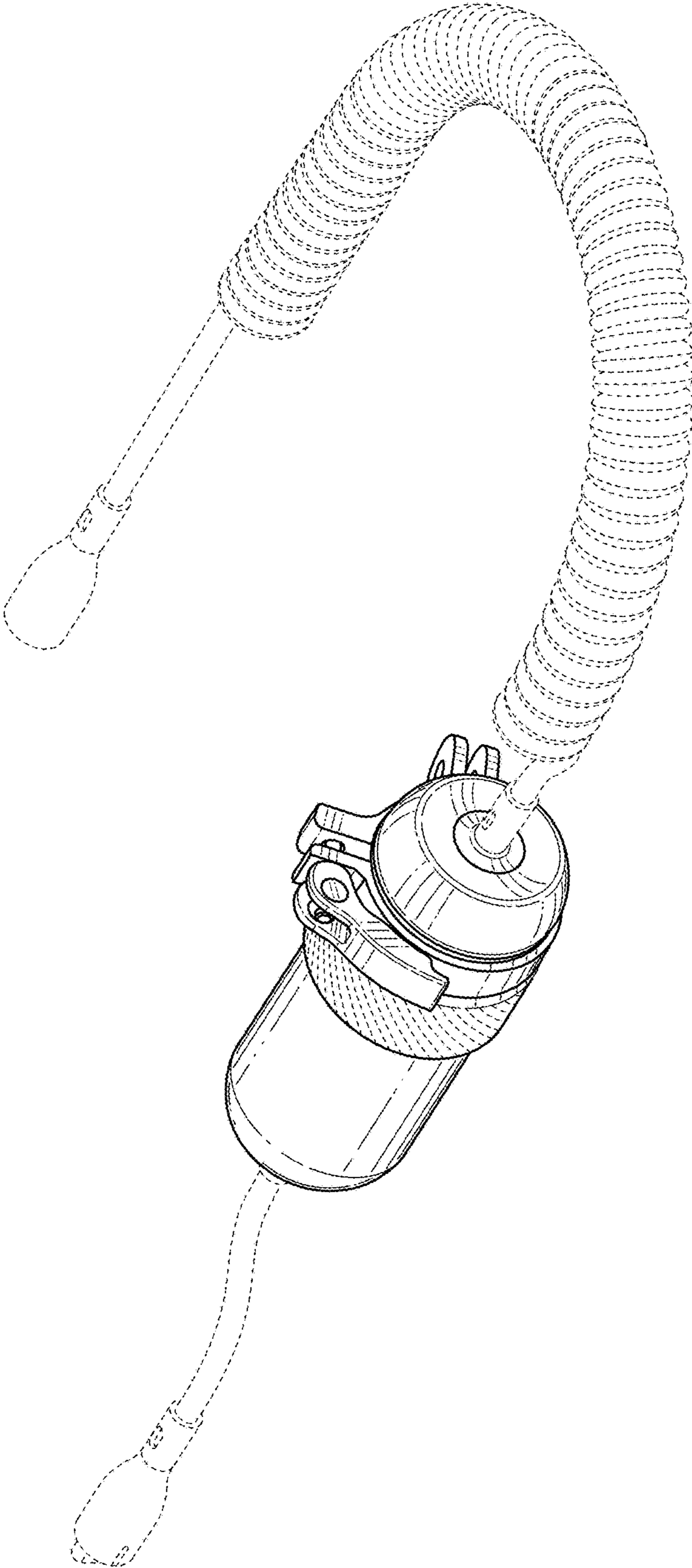


FIG. 3

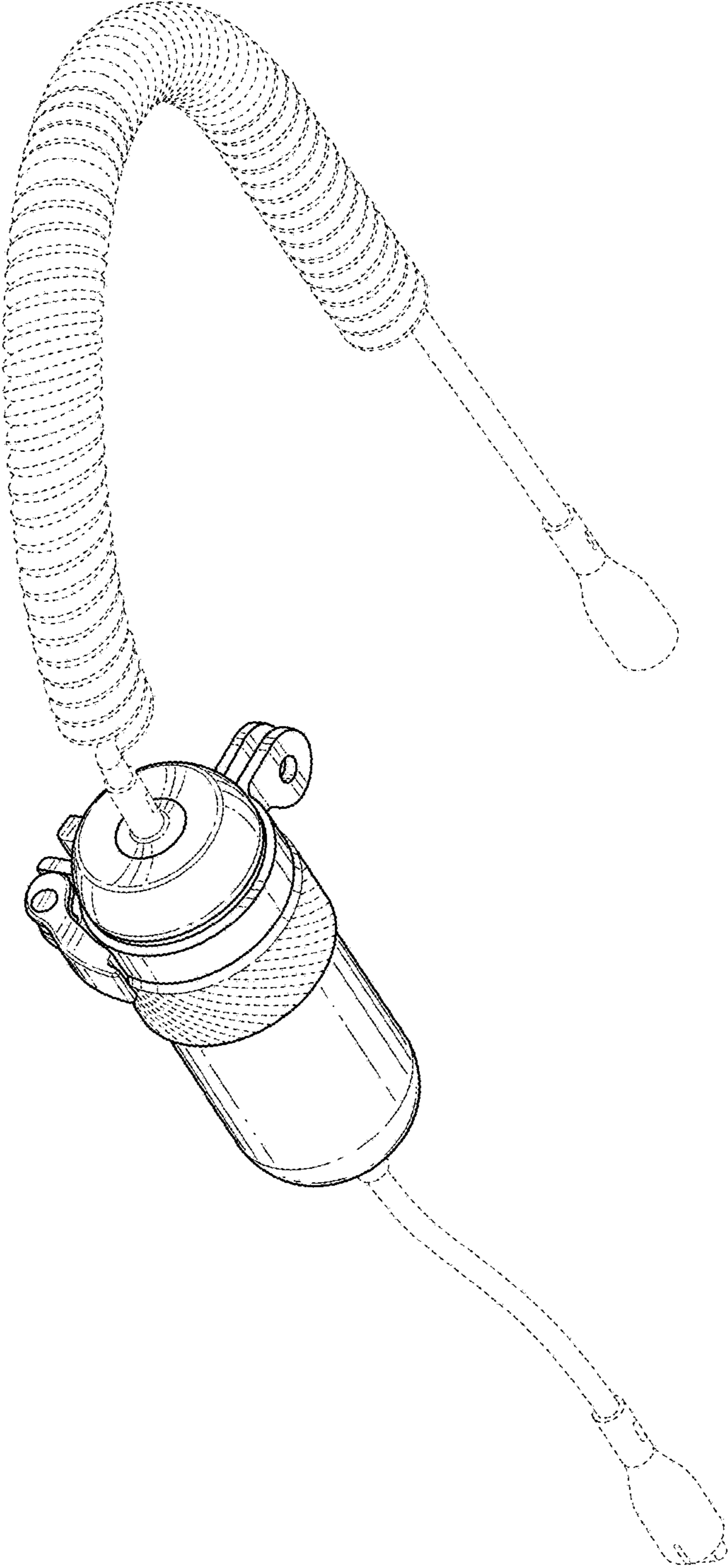


FIG. 4

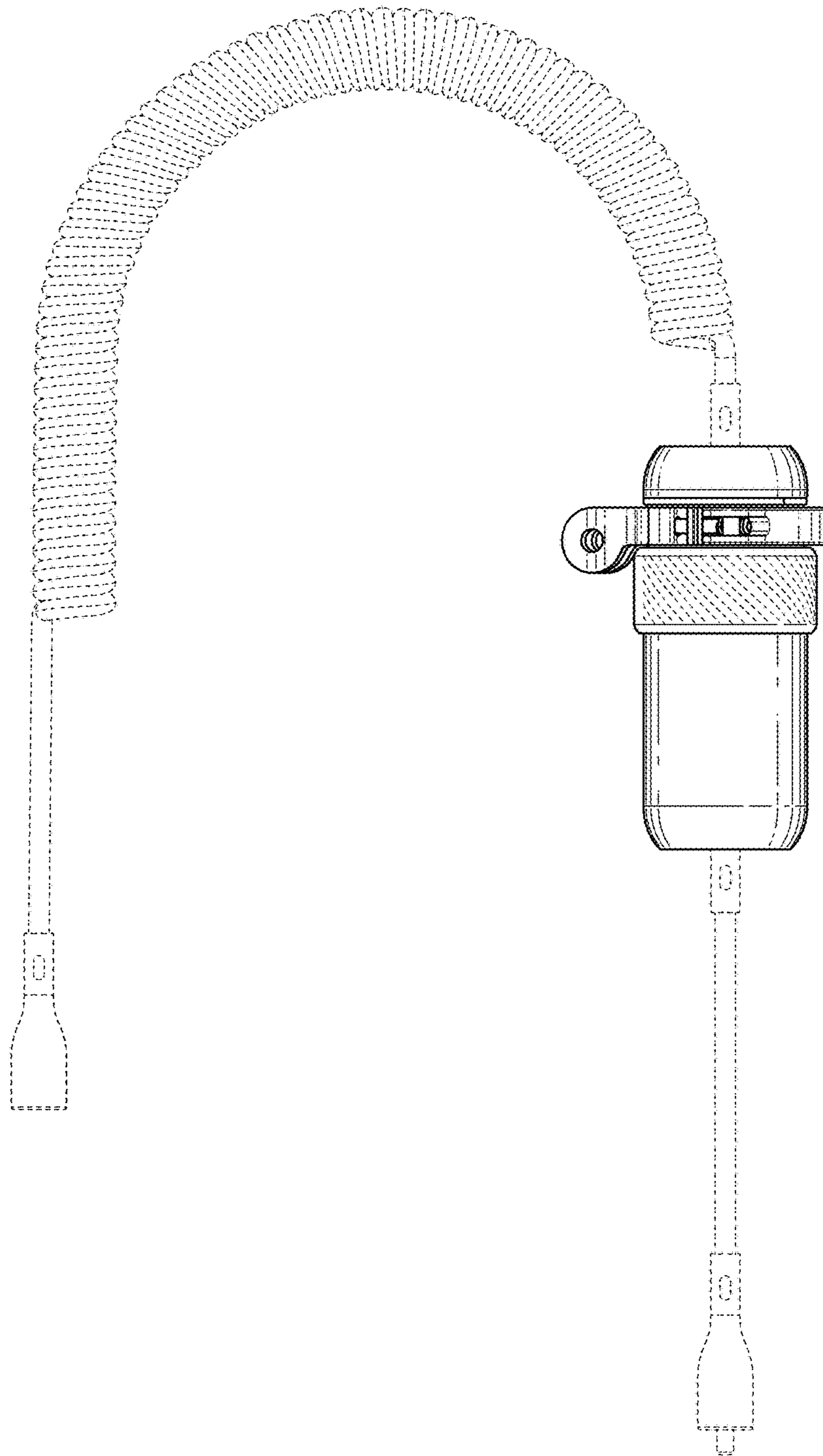


FIG. 5

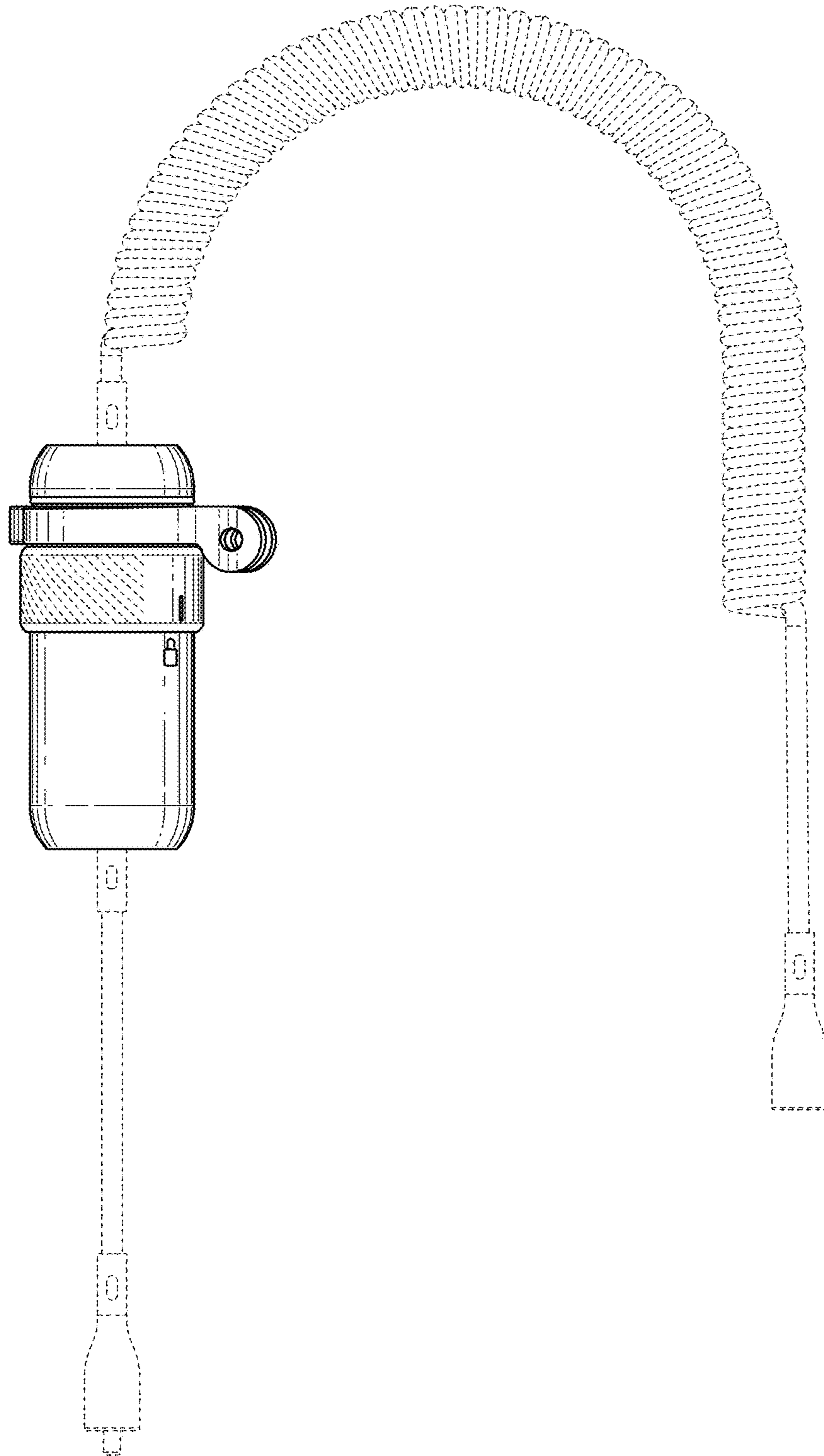


FIG. 6

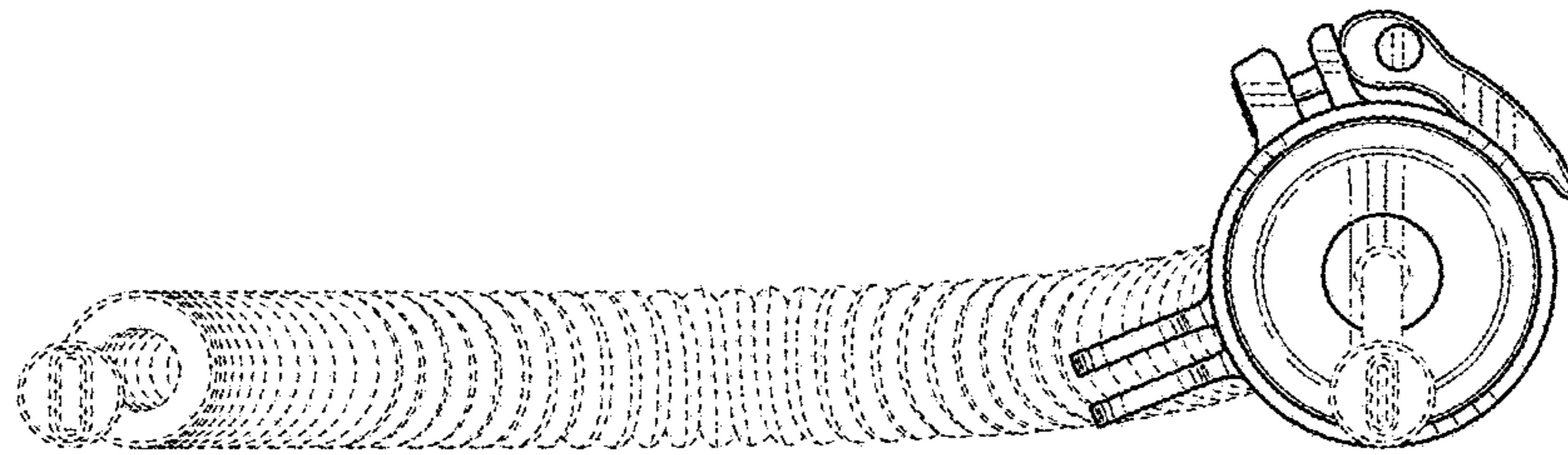


FIG. 7

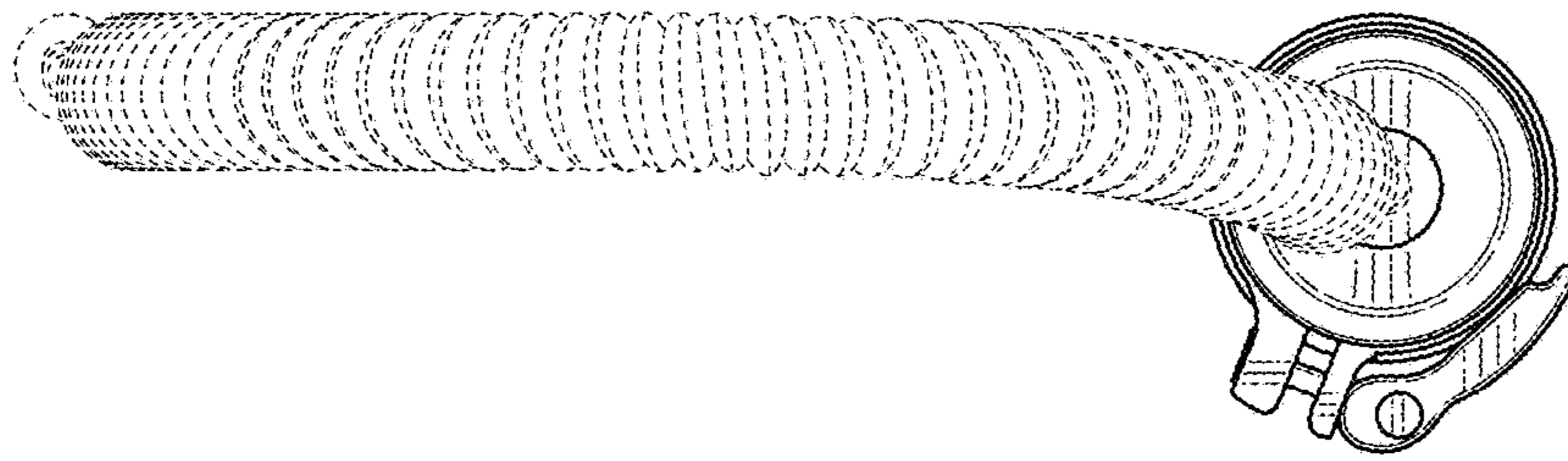


FIG. 8

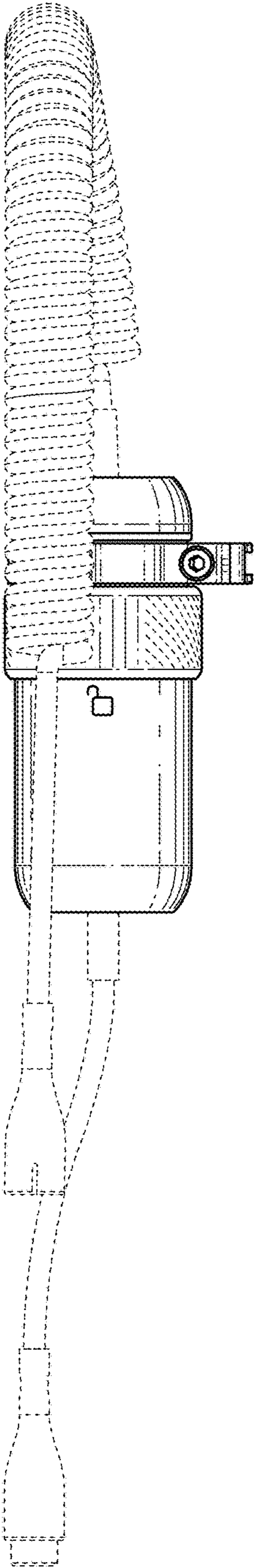


FIG. 9

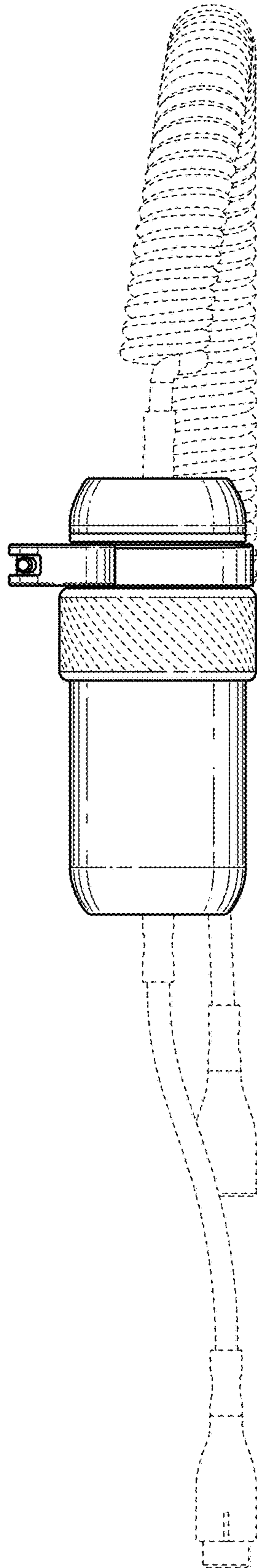


FIG. 10