



US00D836557S

(12) **United States Design Patent** (10) **Patent No.:** **US D836,557 S**
Luo (45) **Date of Patent:** **** Dec. 25, 2018**

(54) **ELECTRICAL CONNECTOR HOUSING**

(71) Applicant: **Samtec, Inc.**, New Albany, IN (US)

(72) Inventor: **Xiao Ping Luo**, Huizhou (CN)

(73) Assignee: **SAMTEC, INC.**, New Albany, IN (US)

(**) Term: **15 Years**

(21) Appl. No.: **29/556,754**

(22) Filed: **Mar. 3, 2016**

(51) **LOC (11) Cl.** **13-03**

(52) **U.S. Cl.**

USPC **D13/147**; D13/149

(58) **Field of Classification Search**

USPC D13/110, 118-121, 123, 133, 146-149,
D13/154, 173, 184, 199

CPC H01R 3/00; H01R 11/00; H01R 11/01;
H01R 11/20; H01R 13/00; H01R 13/44;
H01R 13/46; H01R 13/58; H01R 13/60;
H01R 13/61; H01R 13/62; H01R 13/63;
H01R 13/71; H01R 13/72; H01R 25/00;
H01R 27/00; H01R 27/02; H01R 29/00;
H01R 31/02; H01R 31/06; H01R 4/00;
H01R 4/02; H01R 4/60; H01R 12/51;
H01R 12/70; H01R 12/71; H01R 12/77;
H01R 13/11; H01R 13/17; H01R 13/24;
H01R 13/28; H01R 13/405; H01R
13/432; H01R 13/504; H01R 13/52;
H01R 13/6585; H01R 13/6586; H01R
13/66; H01R 24/00; H01R 24/28; H01R
24/60; H01R 43/02; H01R 43/16; H01R
43/24

See application file for complete search history.

(56) **References Cited**

U.S. PATENT DOCUMENTS

D384,334 S * 9/1997 Nelson D13/184
D434,384 S * 11/2000 Hwang D13/147
D435,245 S * 12/2000 Hwang D13/147

D463,371 S * 9/2002 Lee D13/147
D526,277 S * 8/2006 Wu D13/147
D531,960 S * 11/2006 Kondas D13/147
D559,786 S * 1/2008 Kudo D13/147
D560,169 S * 1/2008 Kudo D13/147
D564,453 S * 3/2008 Kudo D13/147
D704,648 S * 5/2014 Grant D13/147
D706,724 S * 6/2014 McCartin D13/147
D708,580 S * 7/2014 McCartin D13/147

(Continued)

OTHER PUBLICATIONS

Luo, "Electrical Connector Housing", U.S. Appl. No. 29/647,971, filed May 17, 2018.

Primary Examiner — Angela J Lee

Assistant Examiner — Shawn T Gingrich

(74) *Attorney, Agent, or Firm* — Keating & Bennett, LLP

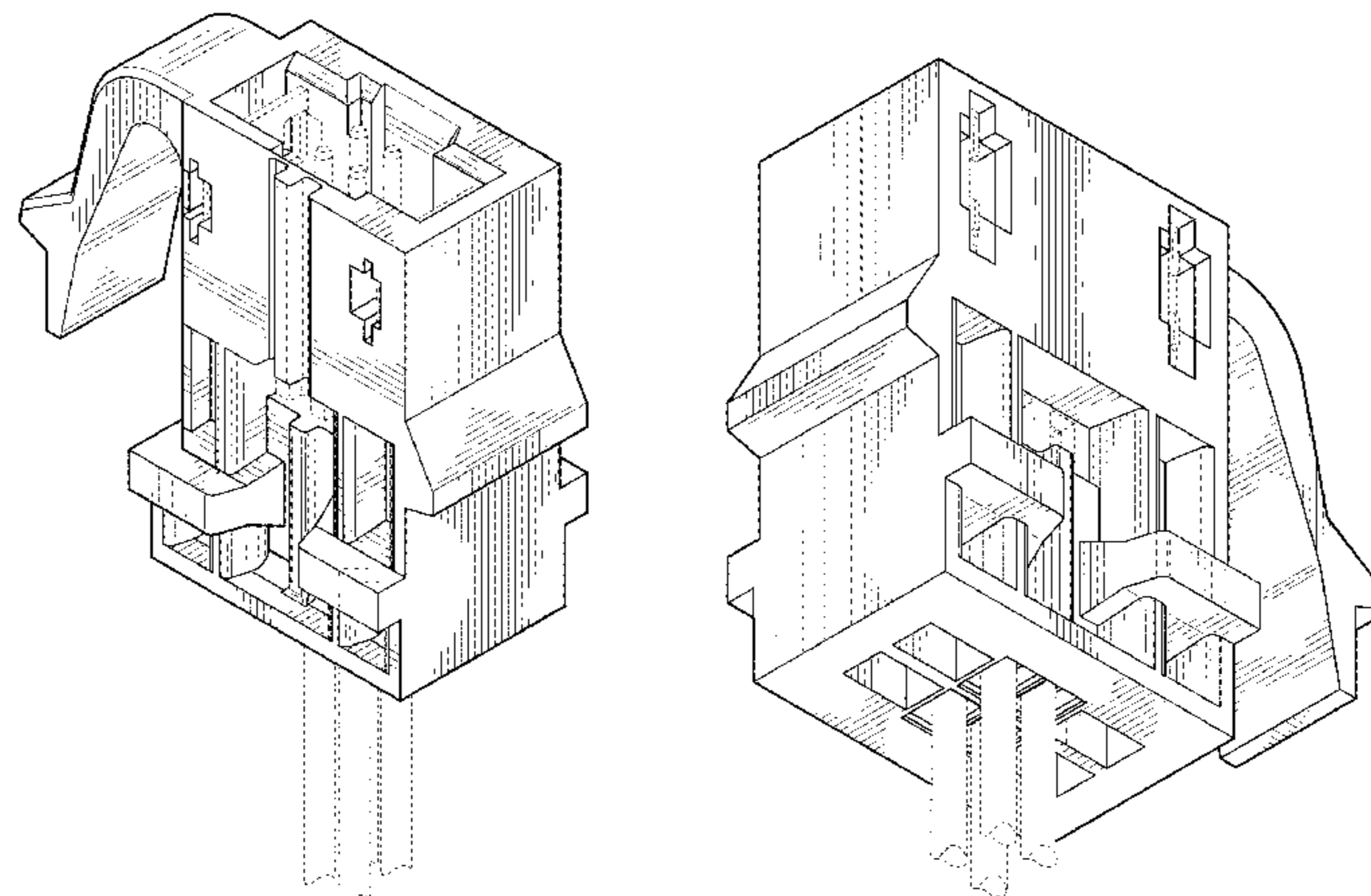
(57) **CLAIM**

The ornamental design for electrical connector housing, as shown and described.

DESCRIPTION

FIG. 1 is a top, front, and right side perspective view of an electrical connector housing showing my new design; FIG. 2 is a bottom, back, and right side perspective view thereof; FIG. 3 is a top, front, and left side perspective view thereof; FIG. 4 is a front view thereof; FIG. 5 is a back view thereof; FIG. 6 is a left side view thereof; FIG. 7 is a right side view thereof; FIG. 8 is a top view thereof; FIG. 9 is a bottom plan thereof; and, FIG. 10 is bottom and left side perspective view thereof. The broken lines in the drawings illustrate portions of the electrical connector housing that form no part of the claimed design. The unshaded surfaces form no part of the claimed design.

1 Claim, 10 Drawing Sheets



(56)

References Cited

U.S. PATENT DOCUMENTS

D710,310 S *	8/2014	McCartin	D13/147
D711,320 S *	8/2014	Yang	D13/133
D810,033 S *	2/2018	Otsuka	D13/173
D812,572 S *	3/2018	Fontaine	D13/154

* cited by examiner

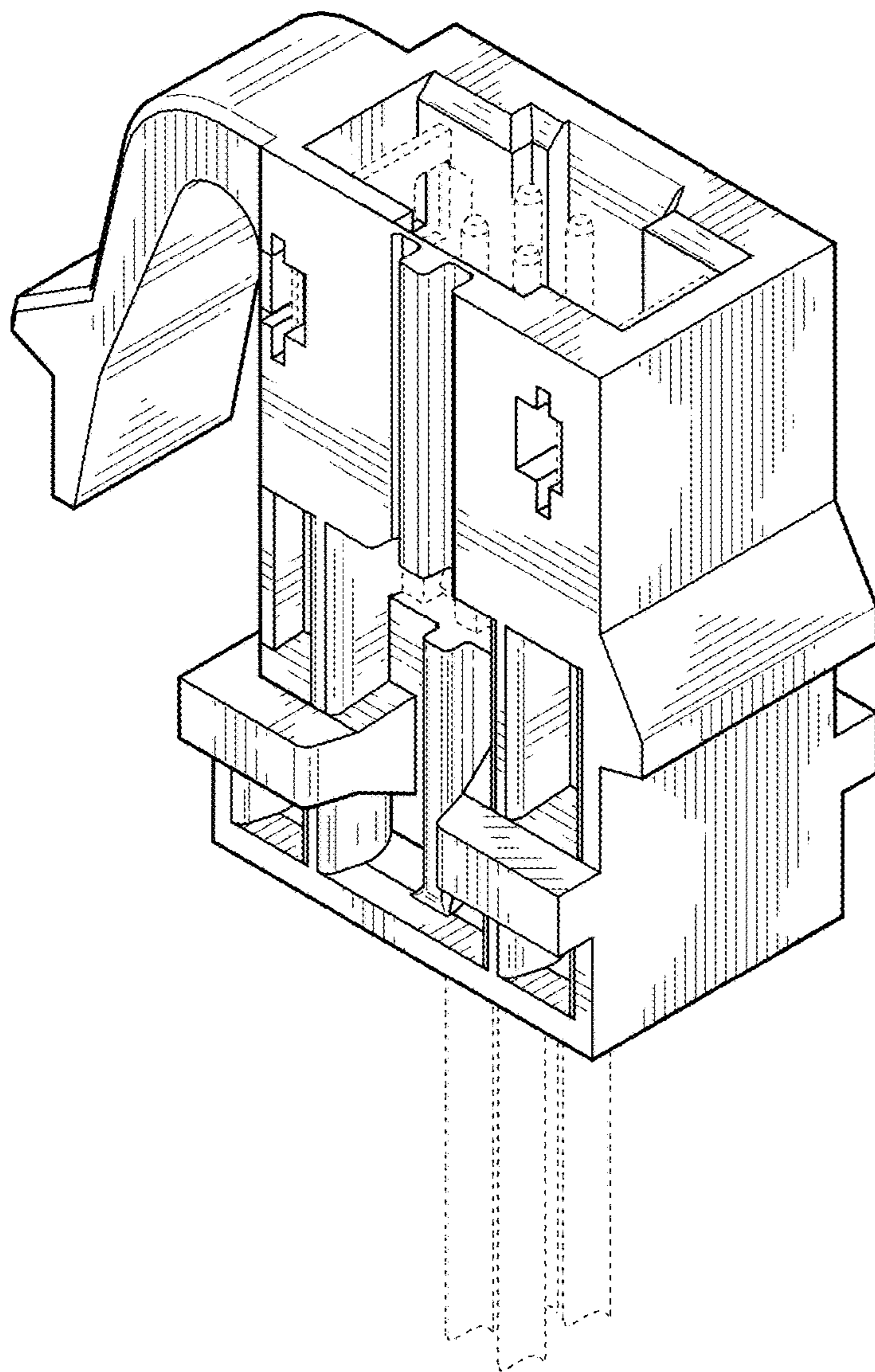


FIG. 1

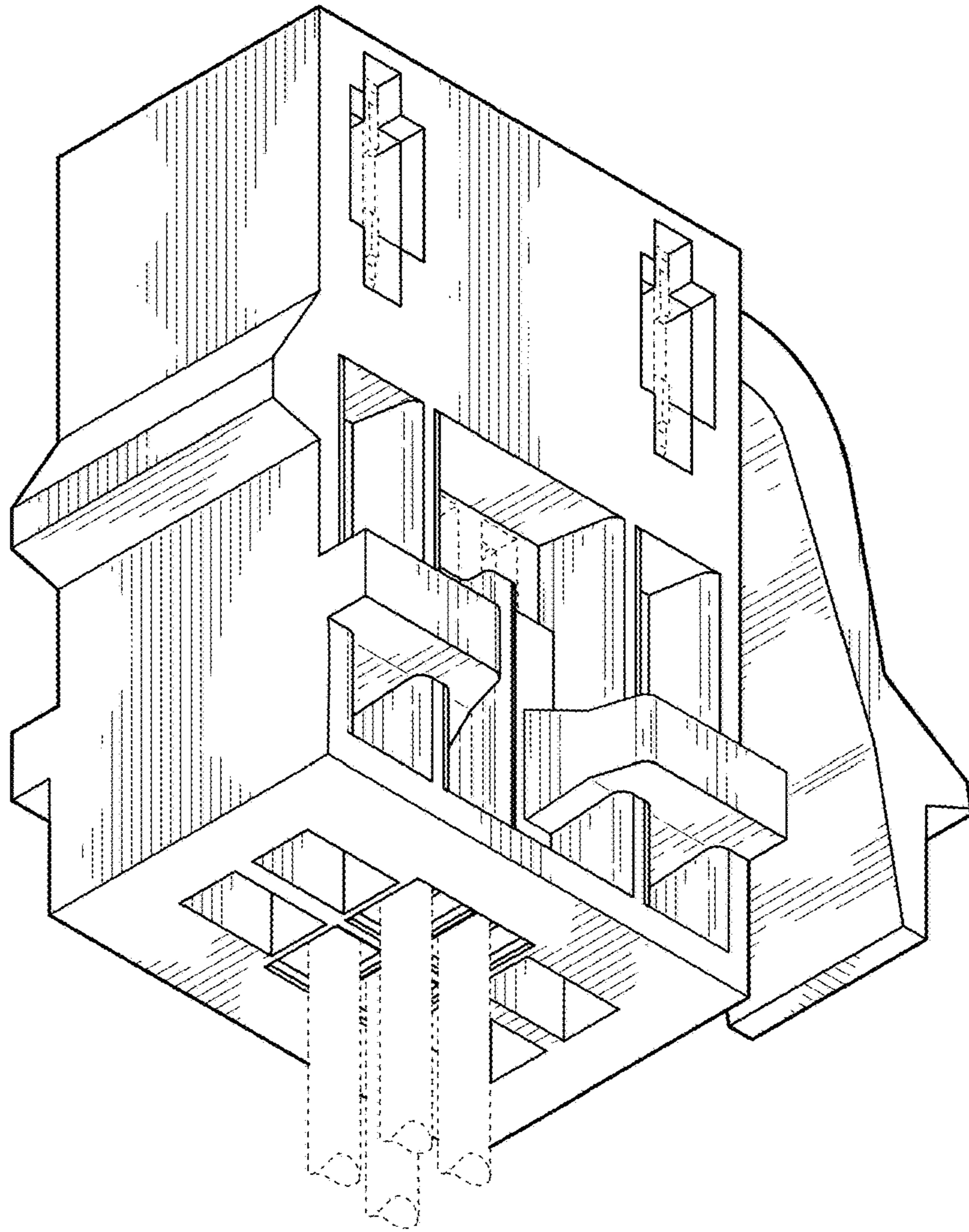


FIG. 2

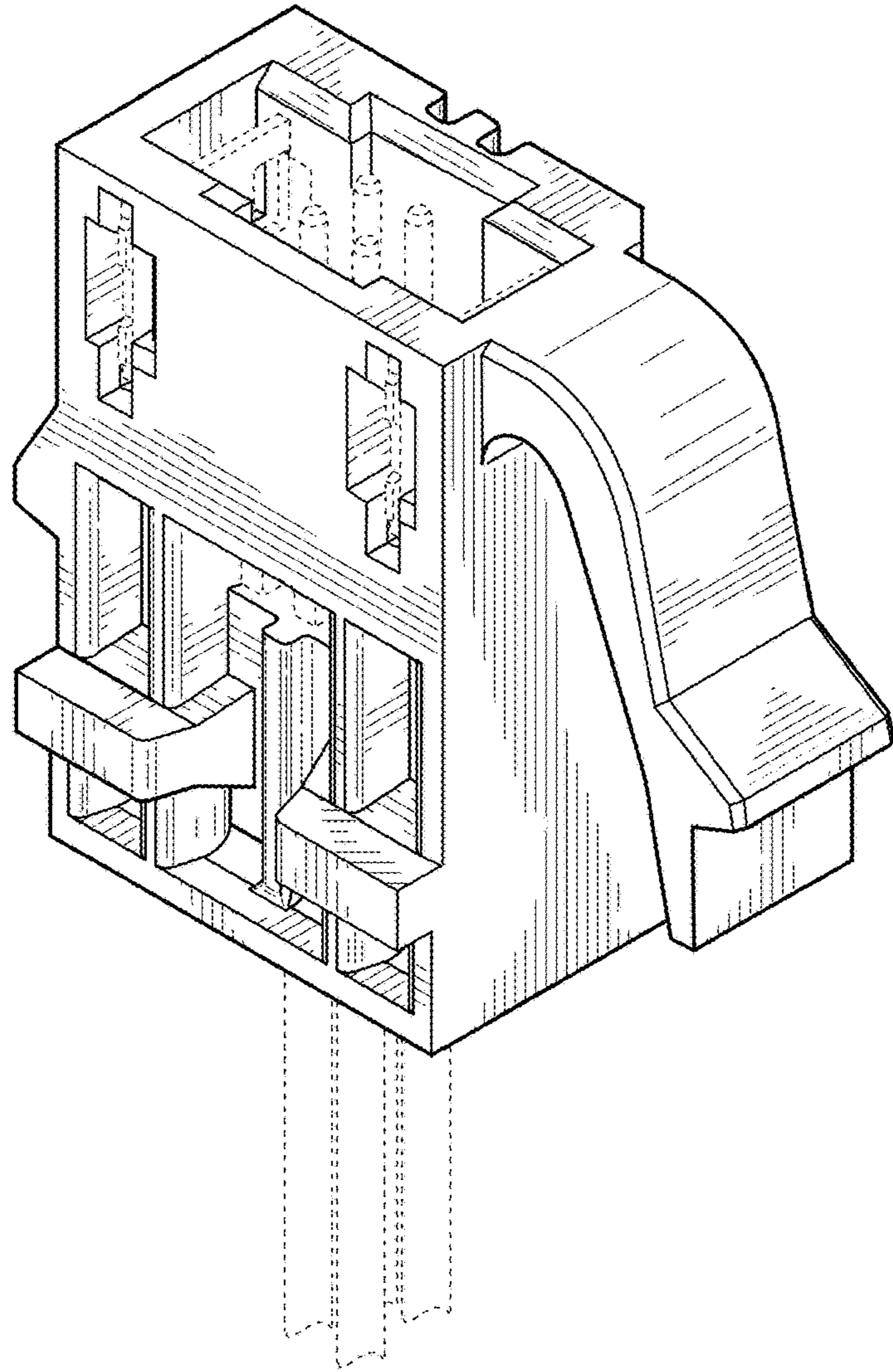


FIG. 3

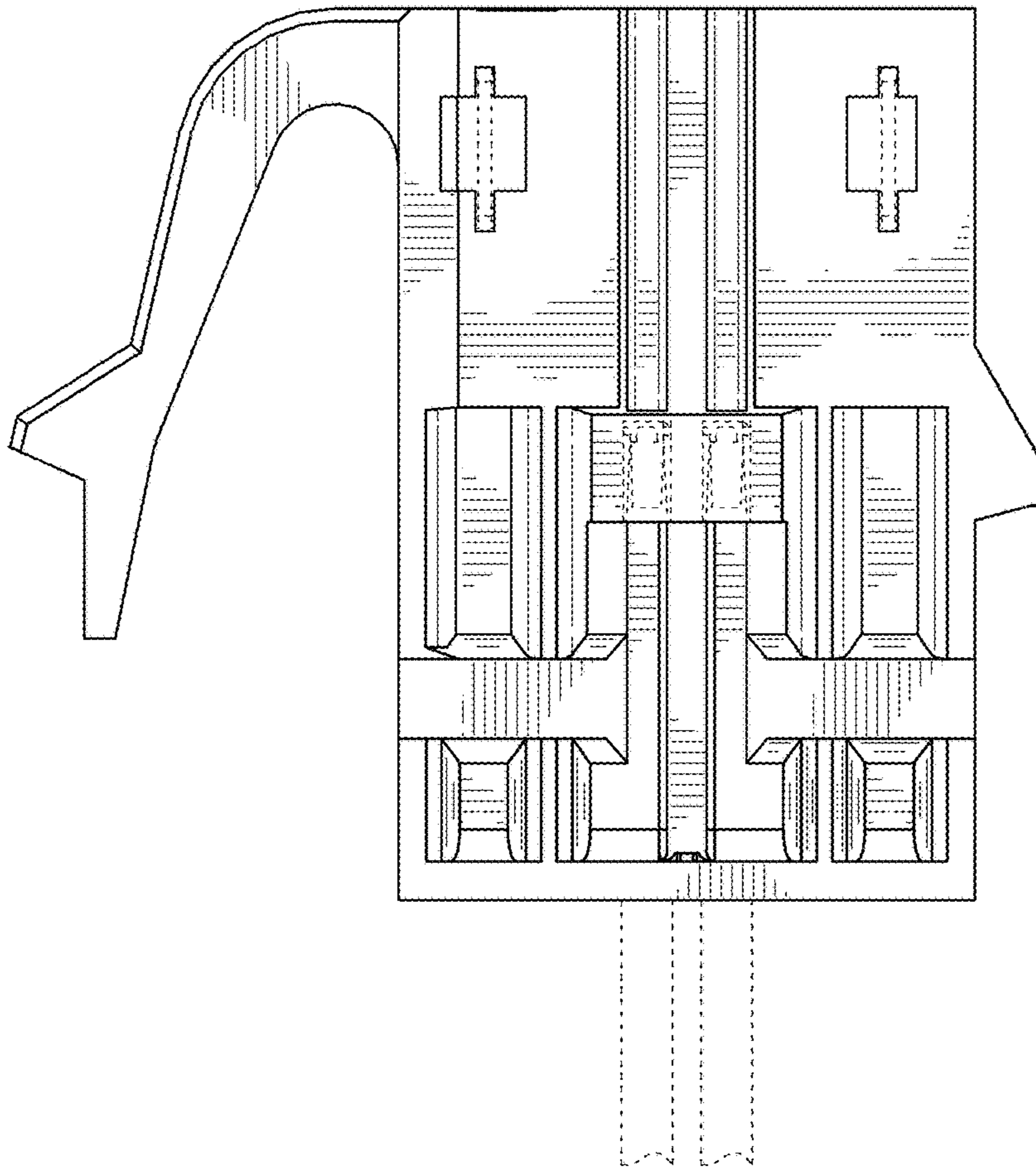


FIG. 4

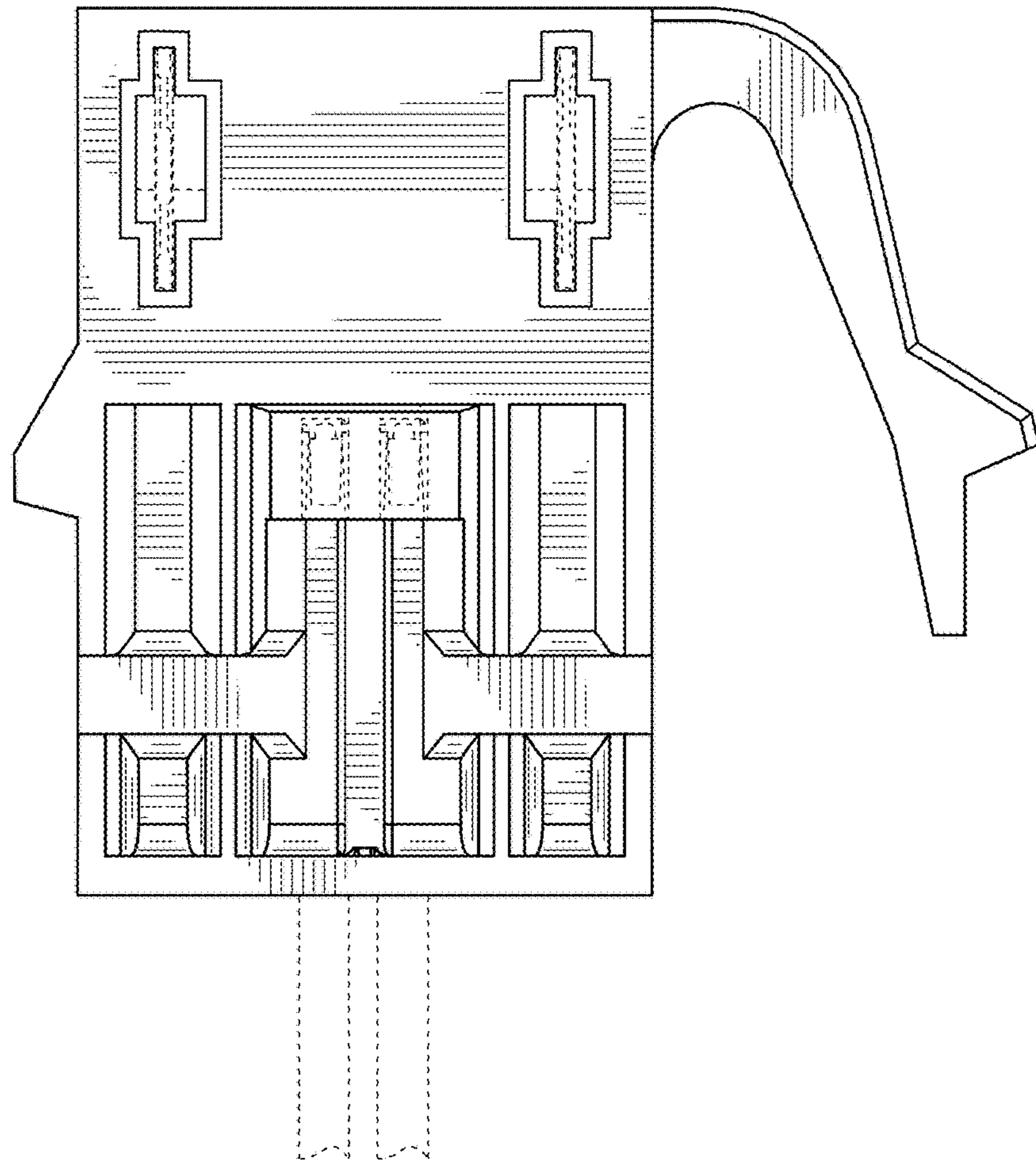


FIG. 5

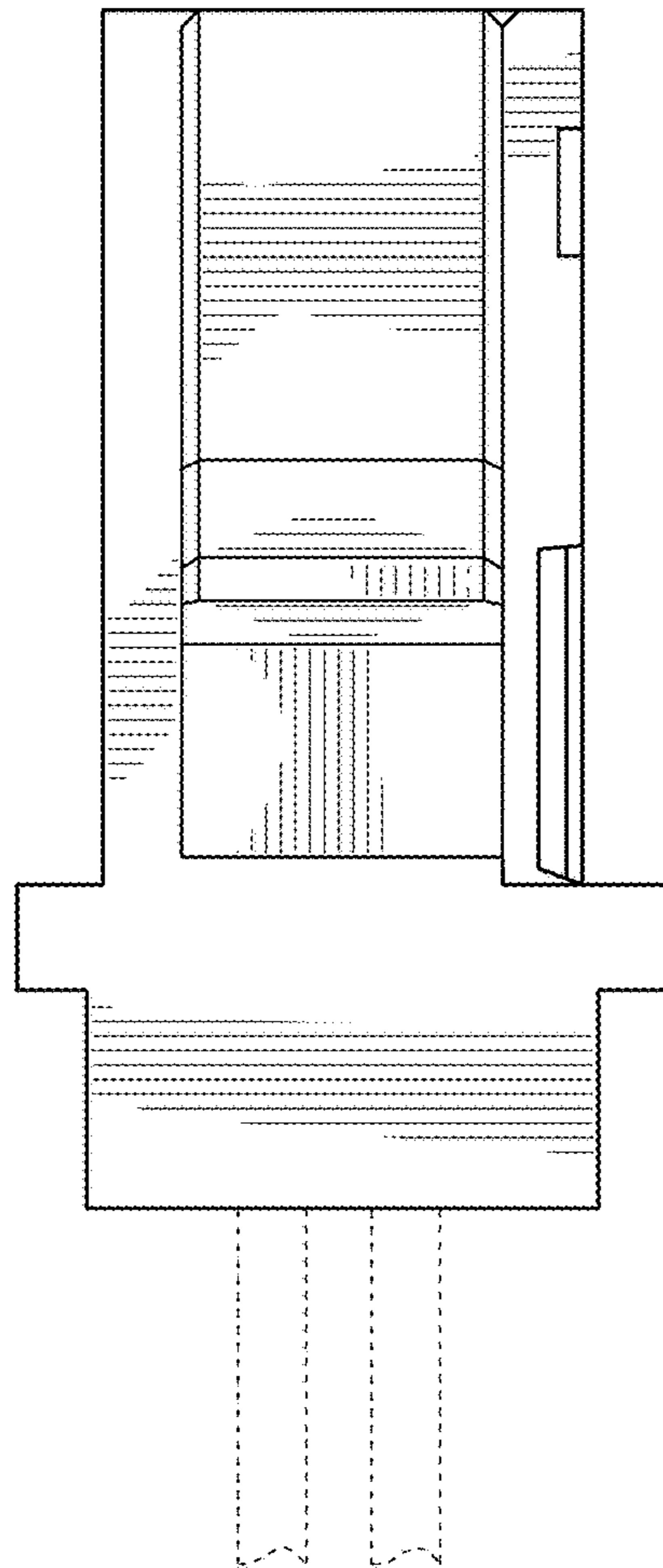


FIG. 6

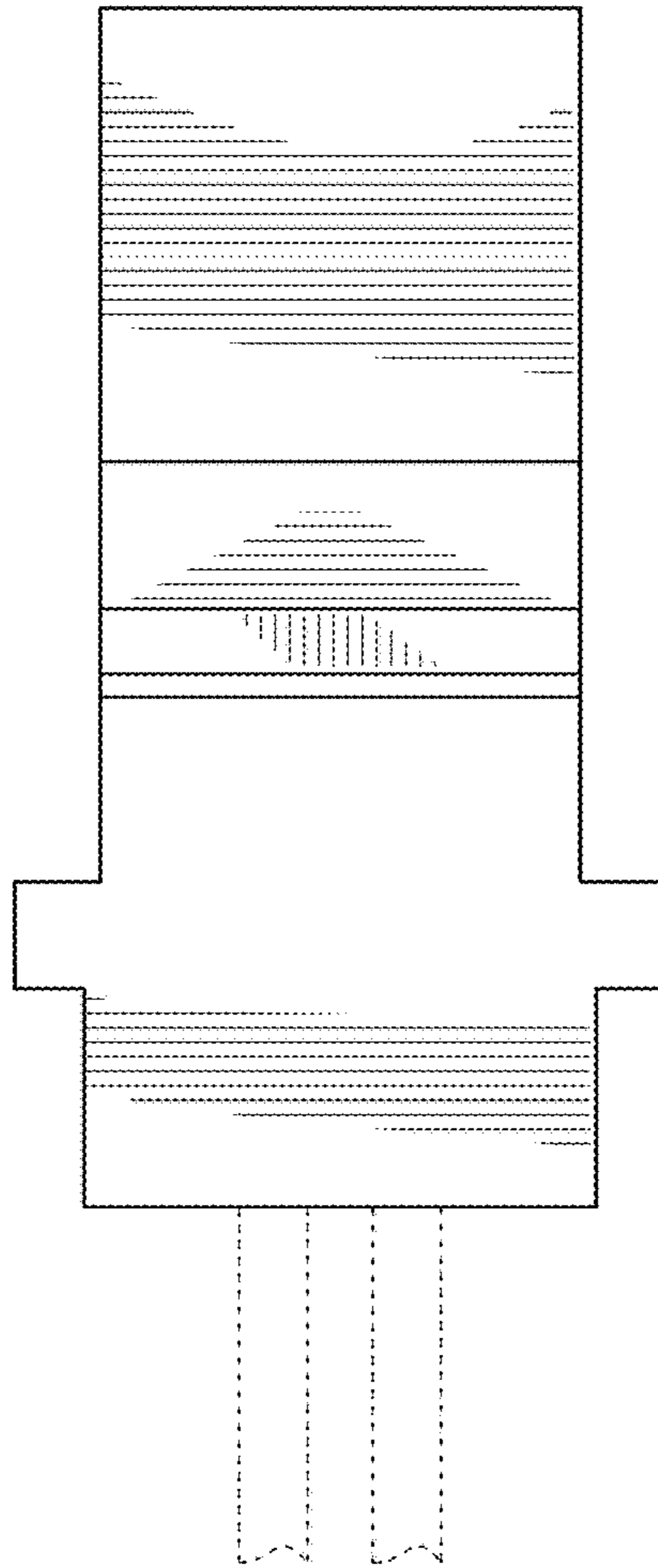


FIG. 7

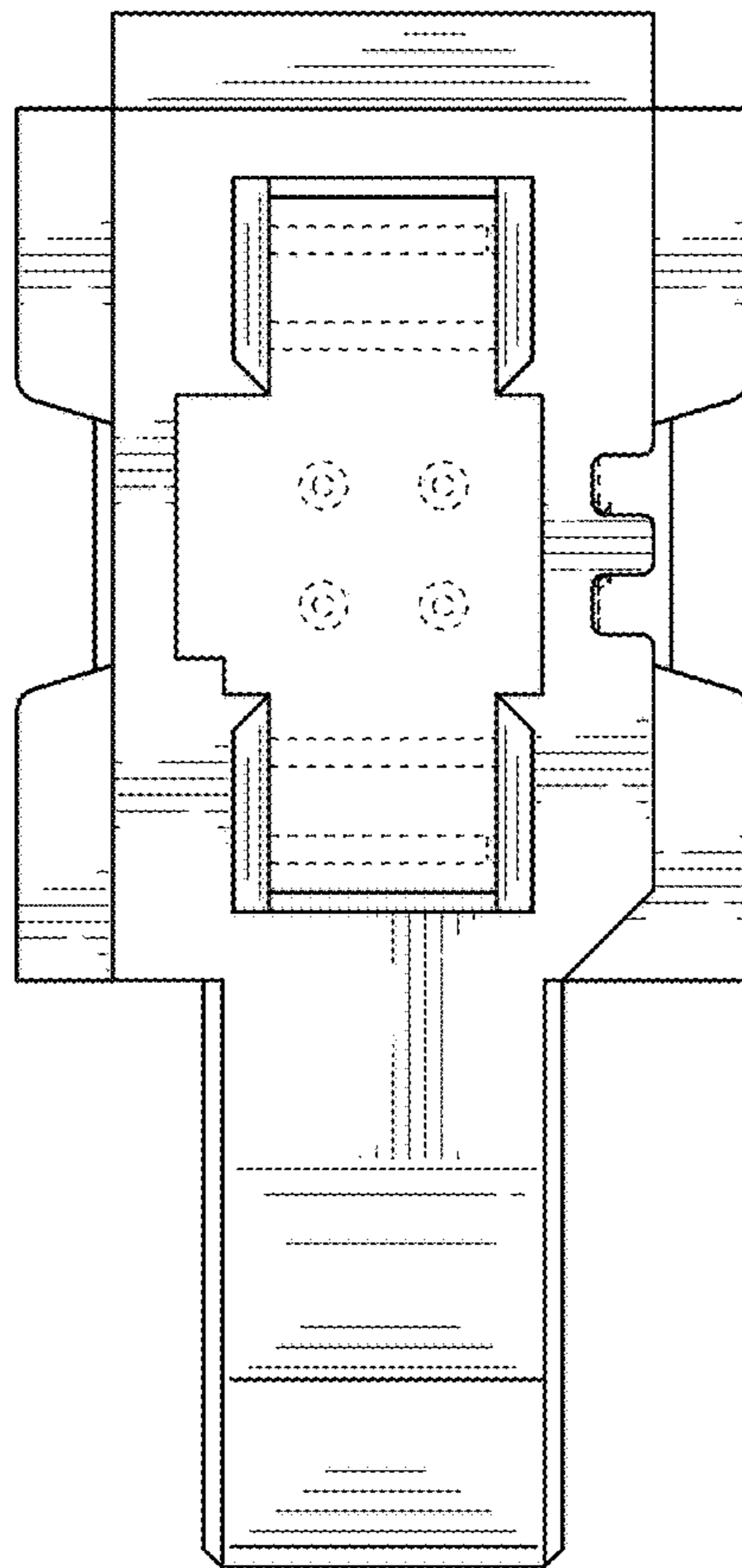


FIG. 8

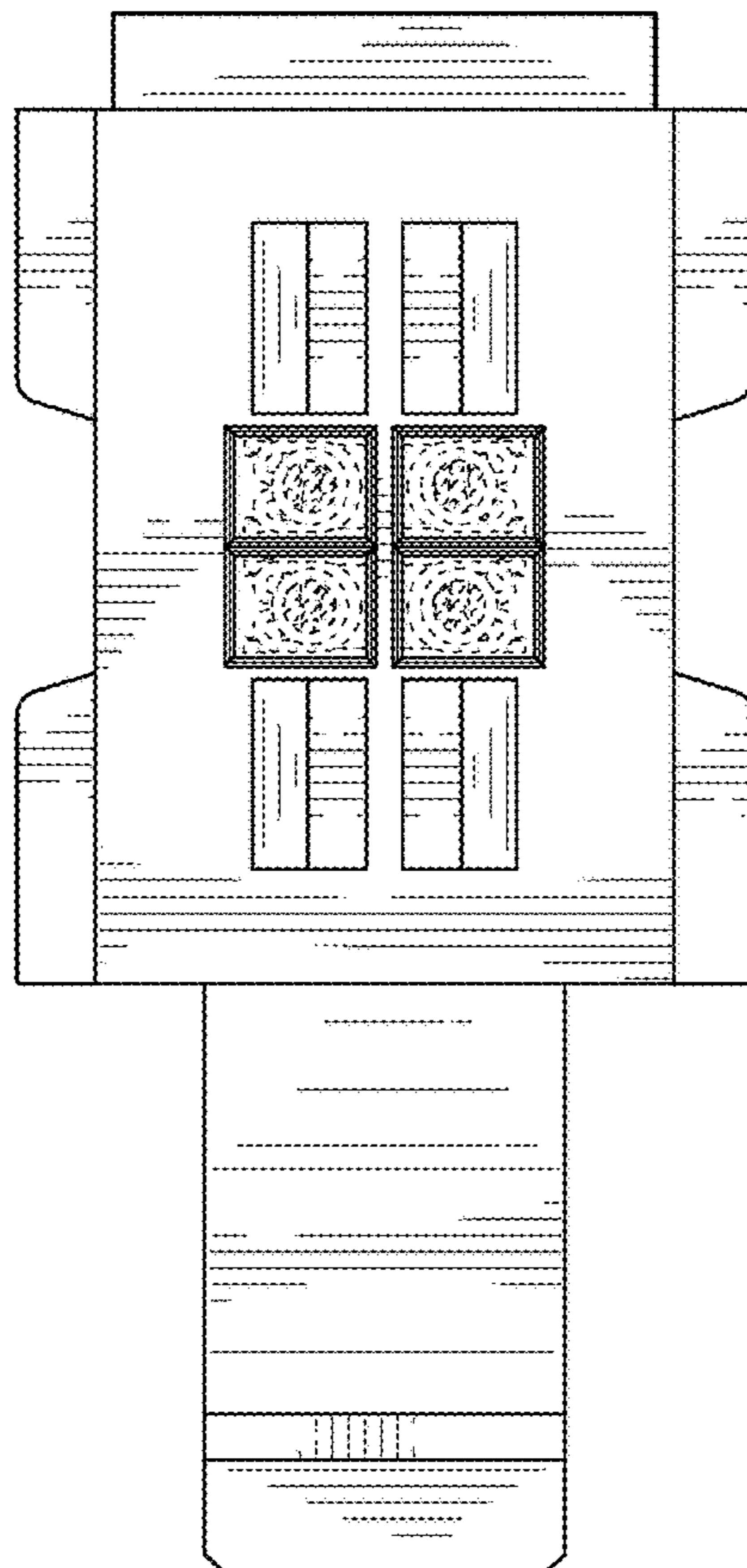


FIG. 9

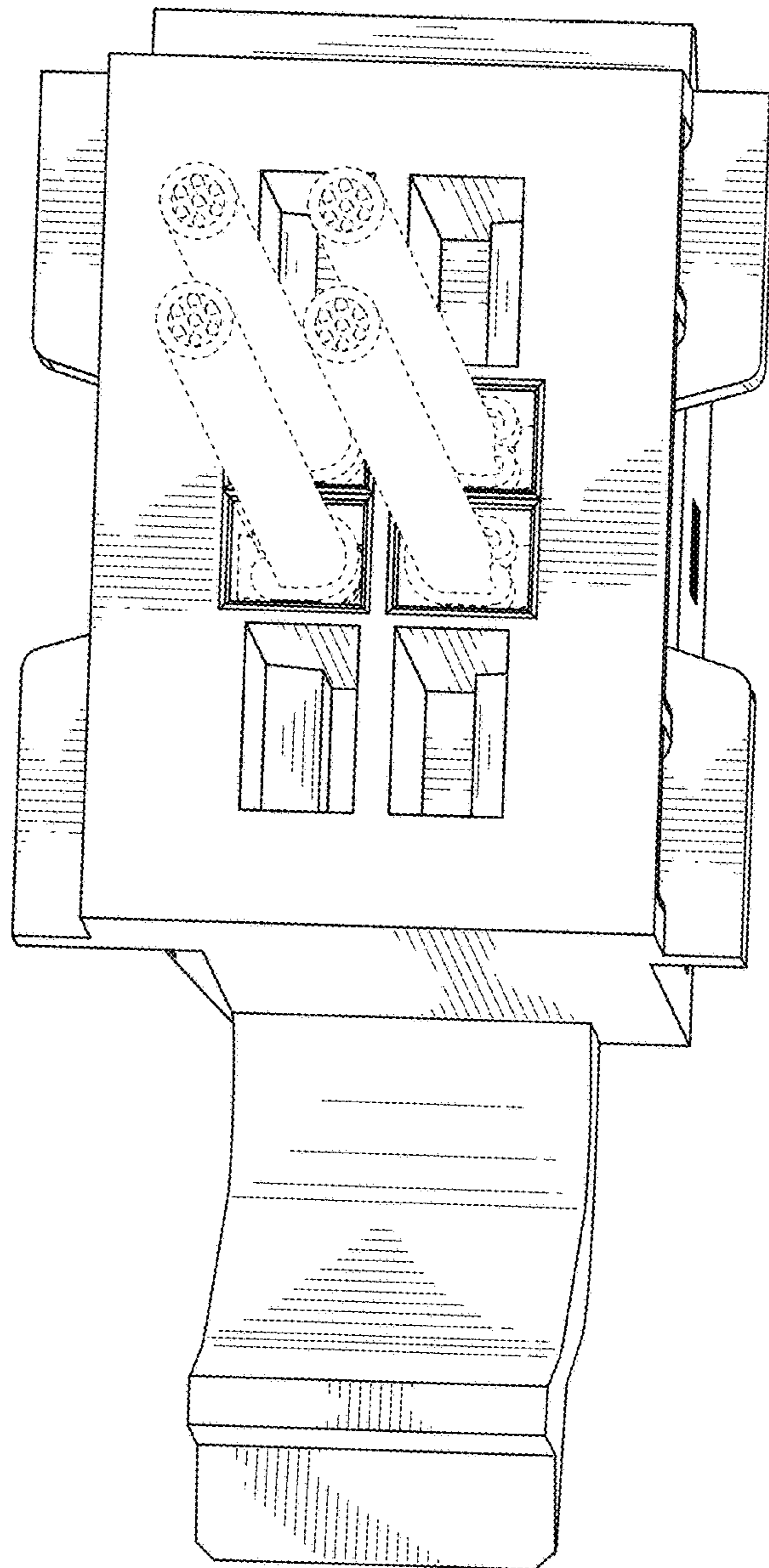


FIG. 10