



US00D836556S

(12) **United States Design Patent** (10) **Patent No.:** **US D836,556 S**  
**Byrne et al.** (45) **Date of Patent:** **\*\* Dec. 25, 2018**

(54) **ELECTRICAL POWER UNIT**

(71) Applicants: **Norman R. Byrne**, Ada, MI (US);  
**Daniel P. Byrne**, Lowell, MI (US);  
**Joseph D. Ward**, Grand Rapids, MI (US)

(72) Inventors: **Norman R. Byrne**, Ada, MI (US);  
**Daniel P. Byrne**, Lowell, MI (US);  
**Joseph D. Ward**, Grand Rapids, MI (US)

(\*\*) Term: **15 Years**

(21) Appl. No.: **29/607,106**

(22) Filed: **Jun. 9, 2017**

(51) **LOC (11) Cl.** ..... **13-03**

(52) **U.S. Cl.**  
USPC ..... **D13/139.1**

(58) **Field of Classification Search**

USPC ..... D13/118, 119, 184, 102-110, 123, 133,  
D13/137.1-137.4, 138.1-138.2,  
D13/139.1-139.8, 152-154, 146, 147,  
D13/156, 158, 177, 160; D14/251, 253,  
D14/432, 434, 433; D15/9; D8/300,  
D8/303, 315, 321, 350-353  
CPC .... Y02E 60/12; Y02E 60/122; Y02E 60/124;  
Y02E 60/50; Y02T 90/14; Y02T 90/122;  
Y02T 90/128; Y02T 90/163; Y02T  
10/7005; Y02T 10/705; Y02T 10/7088;  
H02J 7/025; H02J 7/0042; H02J 7/0044;  
H02J 7/0045; H02J 7/0003; H02J  
2001/008; H02J 3/32; H02J 3/008; H02J  
7/0027; H02J 7/0013; H02J 7/0054; H02J  
7/00; H02J 7/0034; H02J 7/1423; H01F  
38/14; H01R 13/6675; H01R 11/00;  
H01R 9/00; H01R 25/00; H01R 25/006;  
H01M 2/1022; H01M 2/1055; H01M  
10/44; H01M 10/46; H01M 10/425;  
H01M 10/4257; H01M 10/0436; H01M  
10/48; H01M 2/02; H01M 2/022; H01M

2/0202; H01M 2/0207; H01M 2/0212;  
H01M 2/1061; H01M 2/1066; H01M  
2/105; H01M 2/204; B60L 11/182; B60L  
11/1809; B60L 11/1861; B60R 16/03  
See application file for complete search history.

(56) **References Cited**

U.S. PATENT DOCUMENTS

D274,916	S	*	7/1984	Hunt	.....	D19/28
D389,459	S		1/1998	Byrne		
D405,416	S		2/1999	Byrne		
D432,593	S	*	10/2000	Naughton	.....	D21/511
D639,742	S	*	6/2011	Doucet	.....	D13/139.8
D702,069	S		4/2014	Byrne et al.		
D713,662	S		9/2014	Byrne et al.		
D714,879	S	*	10/2014	Lebas	.....	D21/511
D717,732	S		11/2014	Byrne et al.		
D718,714	S	*	12/2014	Si	.....	D13/110

(Continued)

*Primary Examiner* — Rosemary K Tarcza

*Assistant Examiner* — Christy M Nemeth

(74) *Attorney, Agent, or Firm* — Gardner, Linn, Burkhardt & Ondersma LLP

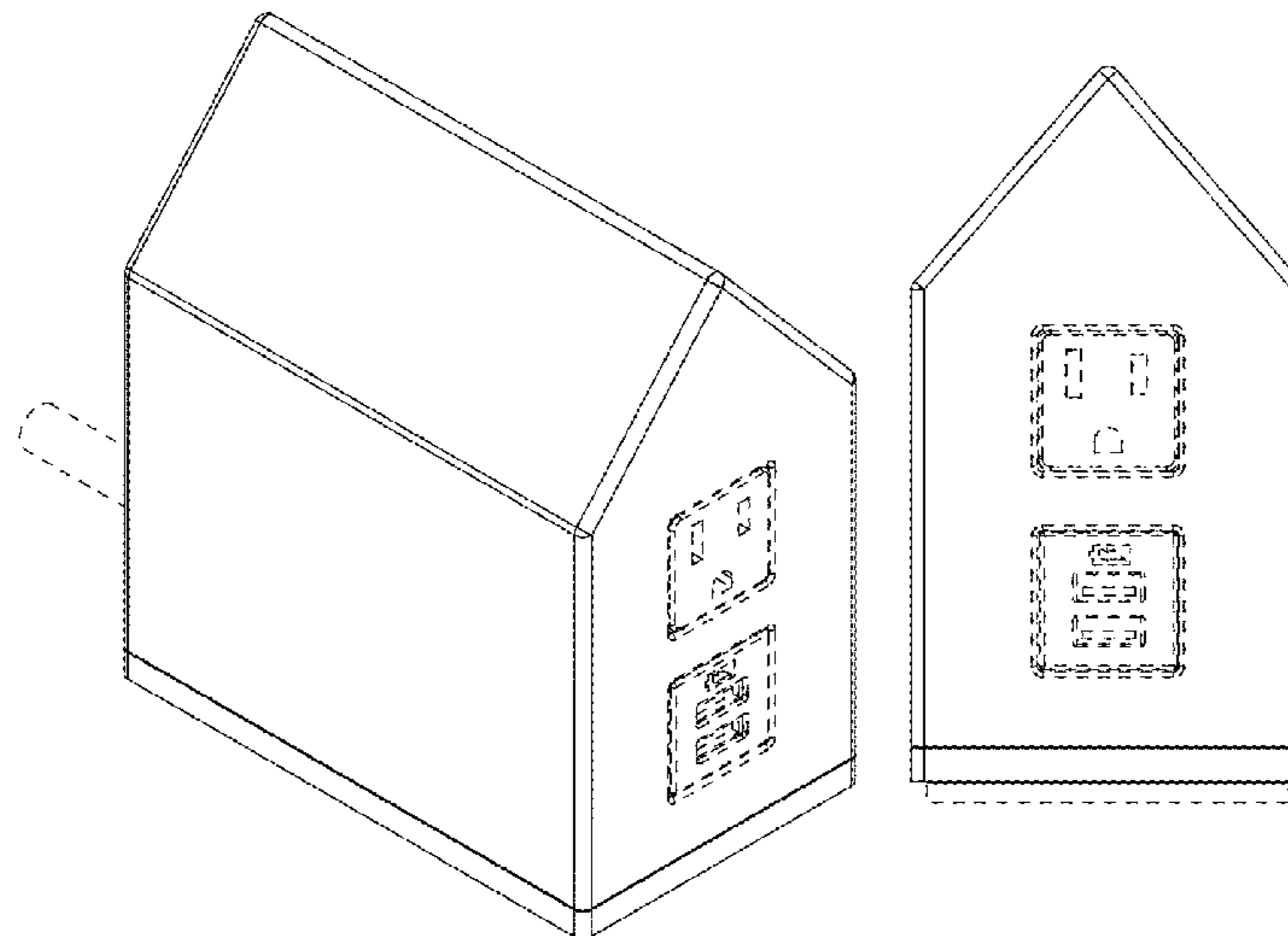
(57) **CLAIM**

The ornamental design for an electrical power unit, as shown and described.

**DESCRIPTION**

FIG. 1 is a perspective view of an electrical power unit showing our new design;  
FIG. 2 is a front elevation thereof;  
FIG. 3 is a rear elevation thereof;  
FIG. 4 is a top plan view thereof;  
FIG. 5 is a left side elevation thereof; and,  
FIG. 6 is a right side elevation thereof.  
The broken lines in the drawings are for the purpose of illustrating portions of the electrical power unit that form no part of the claimed design.

**1 Claim, 2 Drawing Sheets**



(56)

**References Cited**

U.S. PATENT DOCUMENTS

D718,715 S *	12/2014	Si .....	D13/110
D721,954 S *	2/2015	Kauanui .....	D9/431
D736,159 S	8/2015	Byrne et al.	
D736,709 S	8/2015	Byrne et al.	
D739,821 S	9/2015	Byrne et al.	
D744,953 S *	12/2015	Byrne .....	D13/139.4
D807,298 S *	1/2018	Xu .....	D13/139.8
2014/0326726 A1 *	11/2014	Byrne .....	H02G 3/081 220/241

\* cited by examiner

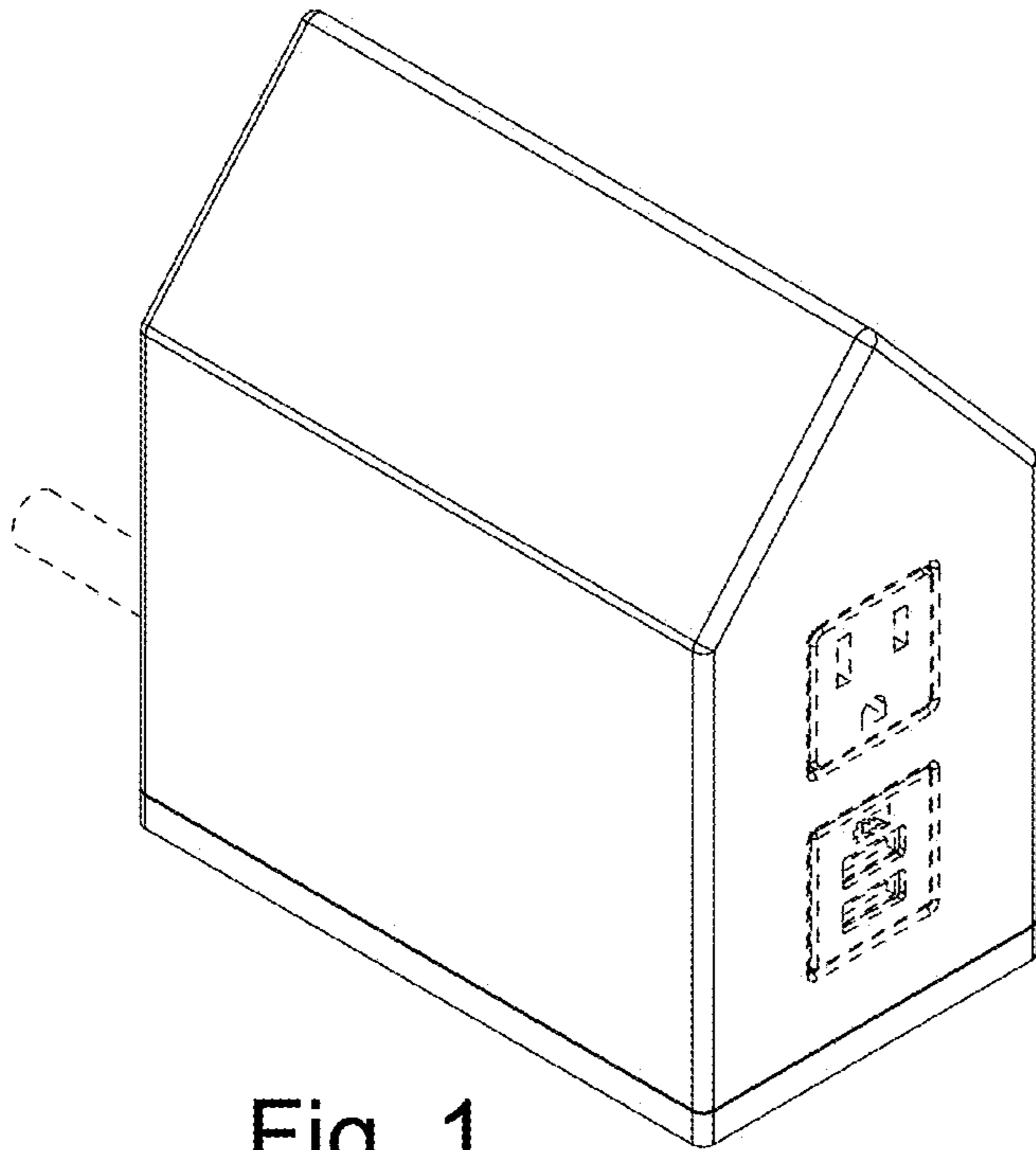


Fig. 1

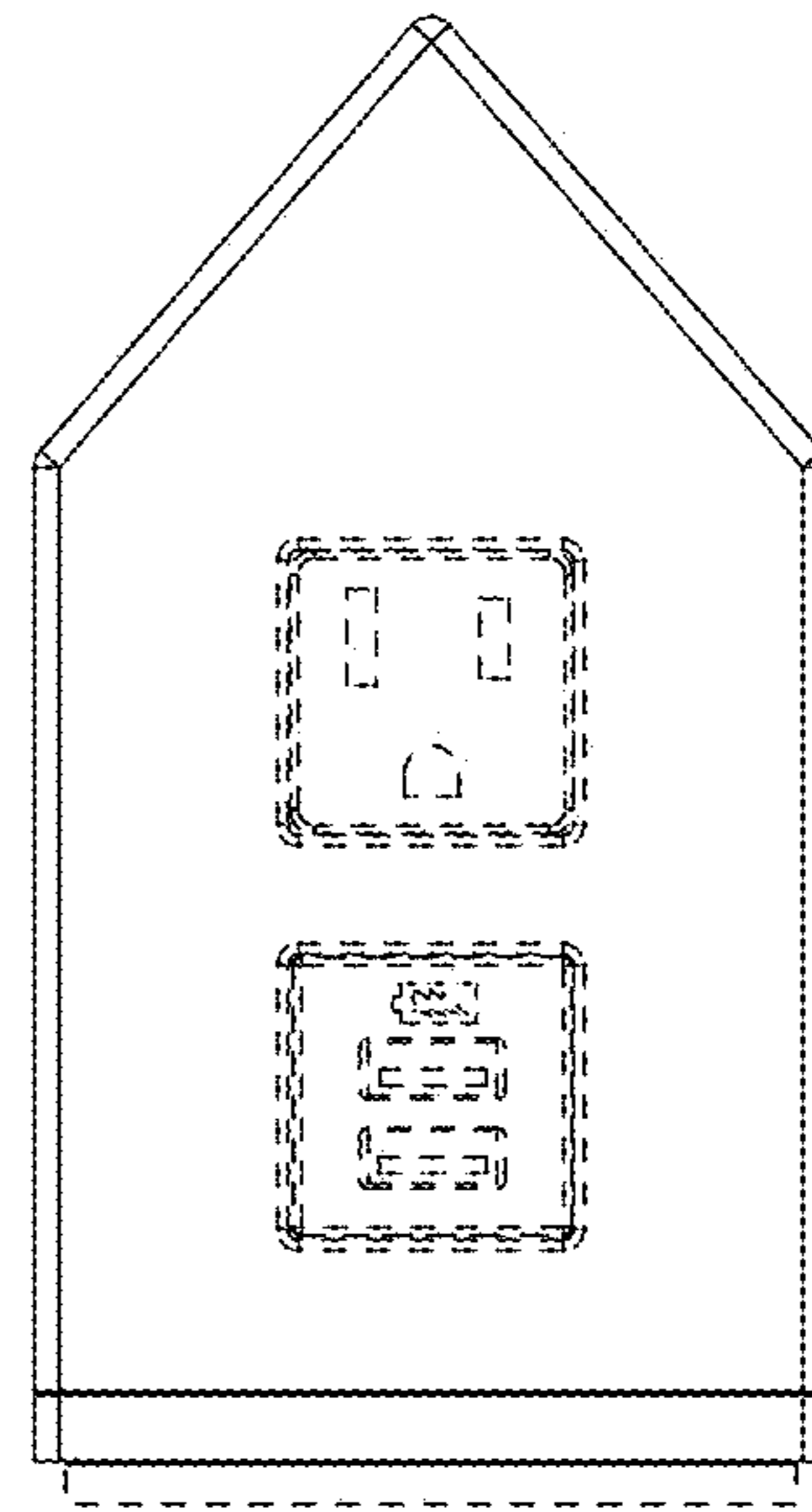


Fig. 2

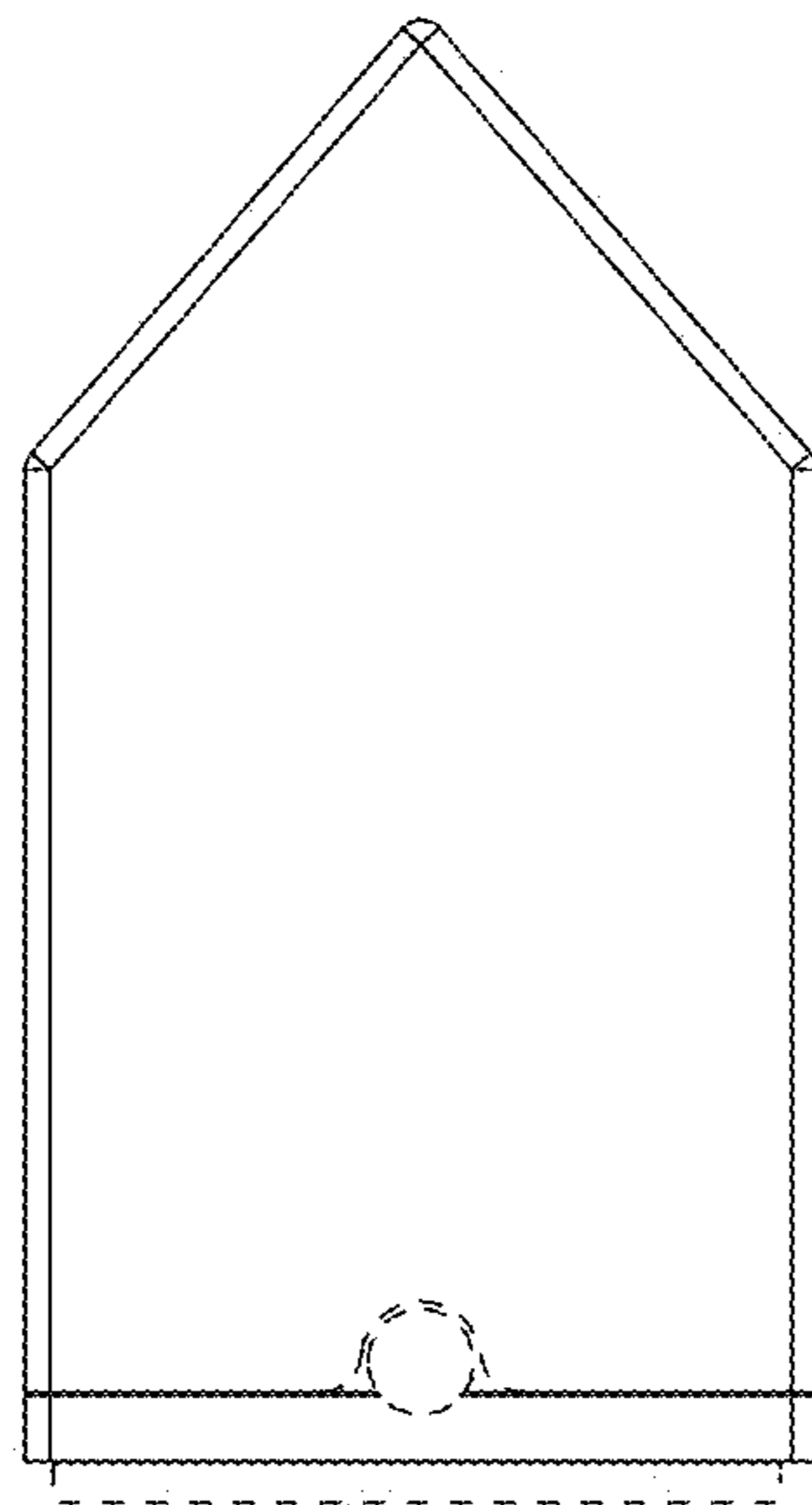


Fig. 3

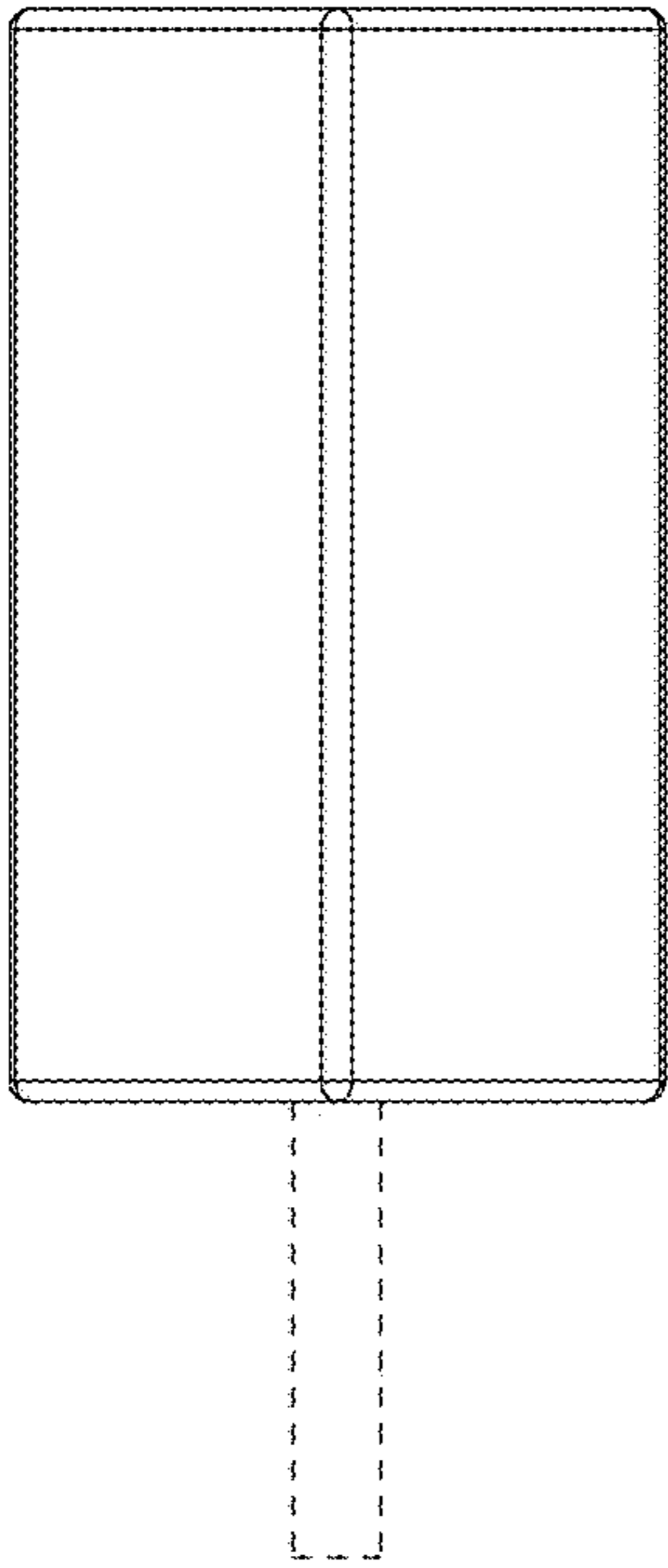


Fig. 4

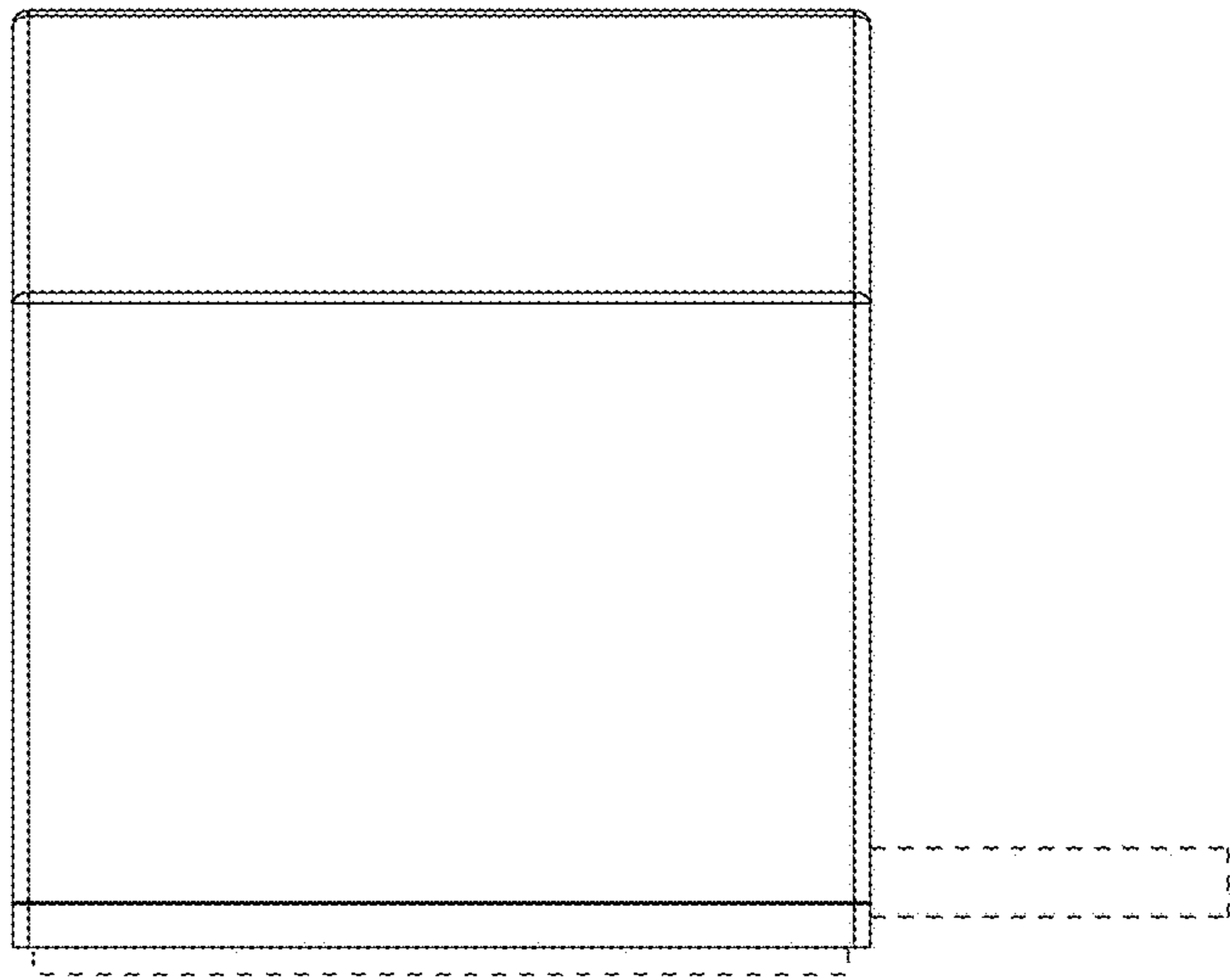


Fig. 5

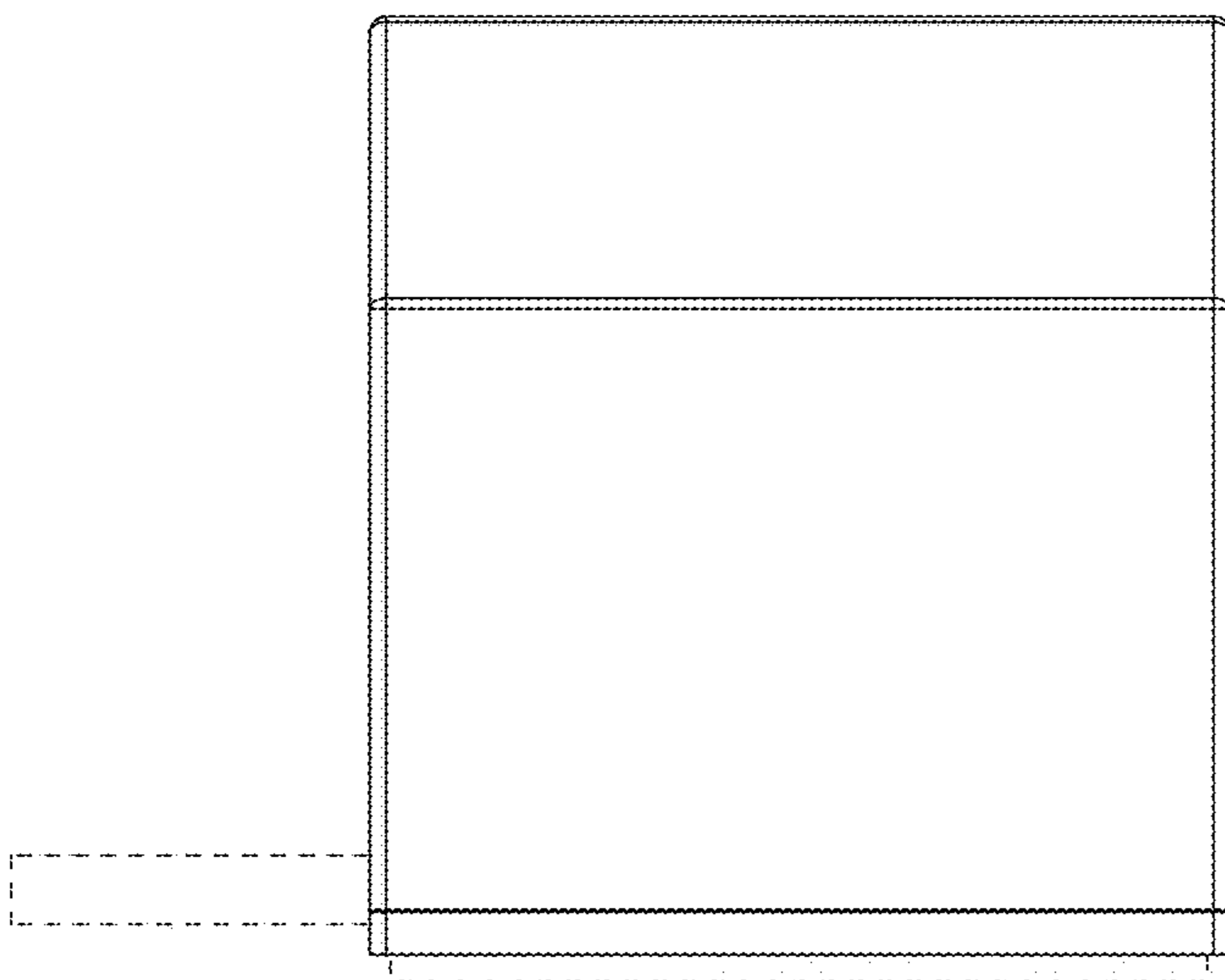


Fig. 6