



US00D83655S

(12) **United States Design Patent** (10) **Patent No.:** **US D836,555 S**  
**Xu** (45) **Date of Patent:** **\*\* Dec. 25, 2018**

(54) **WIRELESS CONTROL POWER SUPPLY DEVICE**

(71) Applicant: **ShenZhen ORICO Technologies Co., Ltd**, Shenzhen (CN)

(72) Inventor: **Yeyou Xu**, Shenzhen (CN)

(73) Assignee: **SHENZHEN ORICO TECHNOLOGIES CO., LTD**, Shenzhen (CN)

(\*\*) Term: **15 Years**

(21) Appl. No.: **29/615,192**

(22) Filed: **Aug. 27, 2017**

(51) **LOC (11) Cl.** ..... **13-03**

(52) **U.S. Cl.**  
USPC ..... **D13/137.2**

(58) **Field of Classification Search**  
USPC ..... D13/152, 119, 147, 156, 177, 184, 107, D13/108, 110, 123, 133, 137.1-137.4, D13/138.1-138.2, 139.1-139.8, 153, 154, D13/146, 158; D8/350, 351-353; D25/119, 127, 134, 48.4; D26/74, 138  
CPC ..... F21S 8/02; F21V 23/00; F21V 23/001; H01R 25/00; H01R 25/006; H01R 11/00; H01R 9/00; H01R 13/5845; H01R 13/72; H01R 31/06; H01R 24/28; H01R 13/46; F16J 13/10; F16B 5/02; H02J 2007/0062; H01B 7/2806

See application file for complete search history.

(56) **References Cited**

**U.S. PATENT DOCUMENTS**

D375,292 S \* 11/1996 D'Amato ..... D13/137.1  
6,929,515 B1 \* 8/2005 Schneider ..... H01R 27/00  
439/654

D576,552 S \* 9/2008 Caine ..... D13/137.2  
7,967,609 B2 \* 6/2011 Capece ..... H01R 31/06  
439/39  
D640,984 S \* 7/2011 Derenthal ..... D13/151  
8,313,335 B2 \* 11/2012 Wu ..... H01R 13/502  
439/172  
D702,639 S \* 4/2014 Ruffner ..... D13/110  
D720,290 S \* 12/2014 Wu ..... D13/110  
D734,260 S \* 7/2015 Cypress ..... D13/110  
9,083,125 B2 \* 7/2015 Rogers ..... H01R 27/00  
D741,267 S \* 10/2015 Byrne ..... D13/139.1  
D750,022 S \* 2/2016 Lin ..... D13/137.2  
D755,127 S \* 5/2016 Wong ..... D13/137.2

\* cited by examiner

*Primary Examiner* — Rosemary K Tarcza  
*Assistant Examiner* — Christy M Nemeth  
(74) *Attorney, Agent, or Firm* — Wayne & Ken, LLC;  
Tony Hom

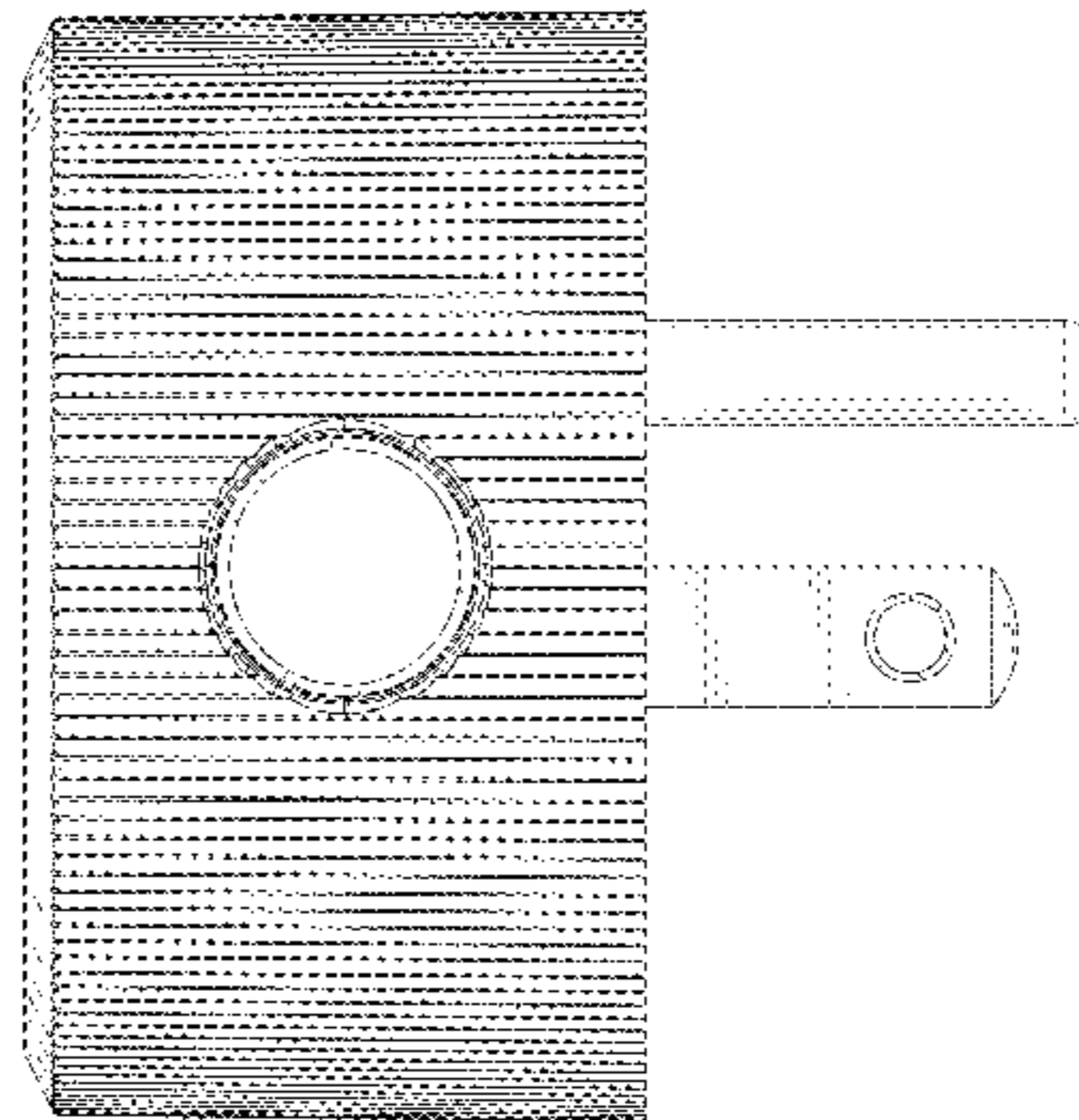
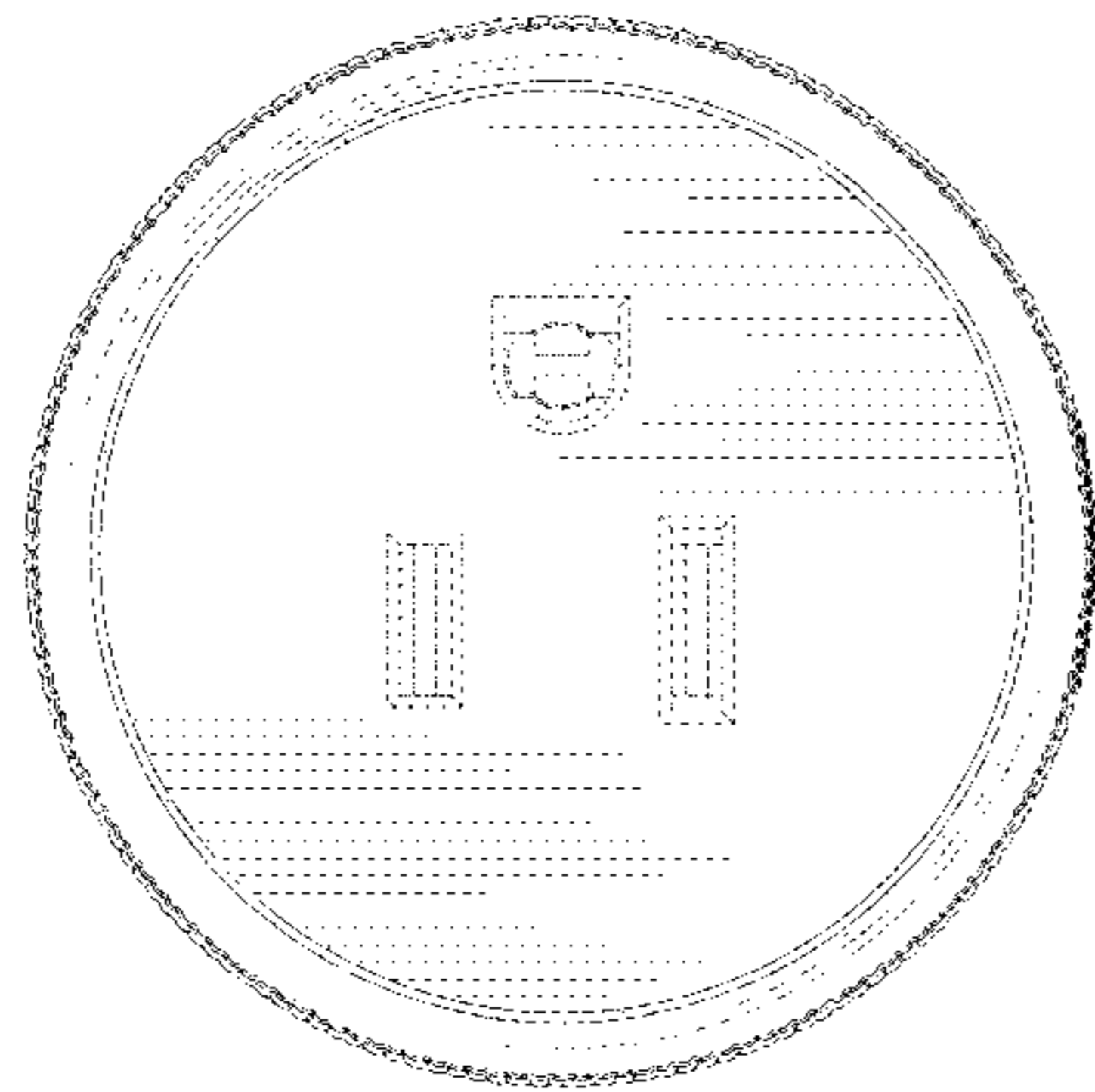
(57) **CLAIM**

The ornamental design for a wireless control power supply device, as shown and described.

**DESCRIPTION**

FIG. 1 is a front view of a wireless control power supply device showing my new design;  
FIG. 2 is a back view thereof;  
FIG. 3 is a top view thereof;  
FIG. 4 is a bottom view thereof;  
FIG. 5 is a left side view thereof; and,  
FIG. 6 is a right side view thereof.  
The broken lines in the drawings are for the purpose of illustrating portions of the wireless control power supply device that form no part of the claimed design.

**1 Claim, 6 Drawing Sheets**



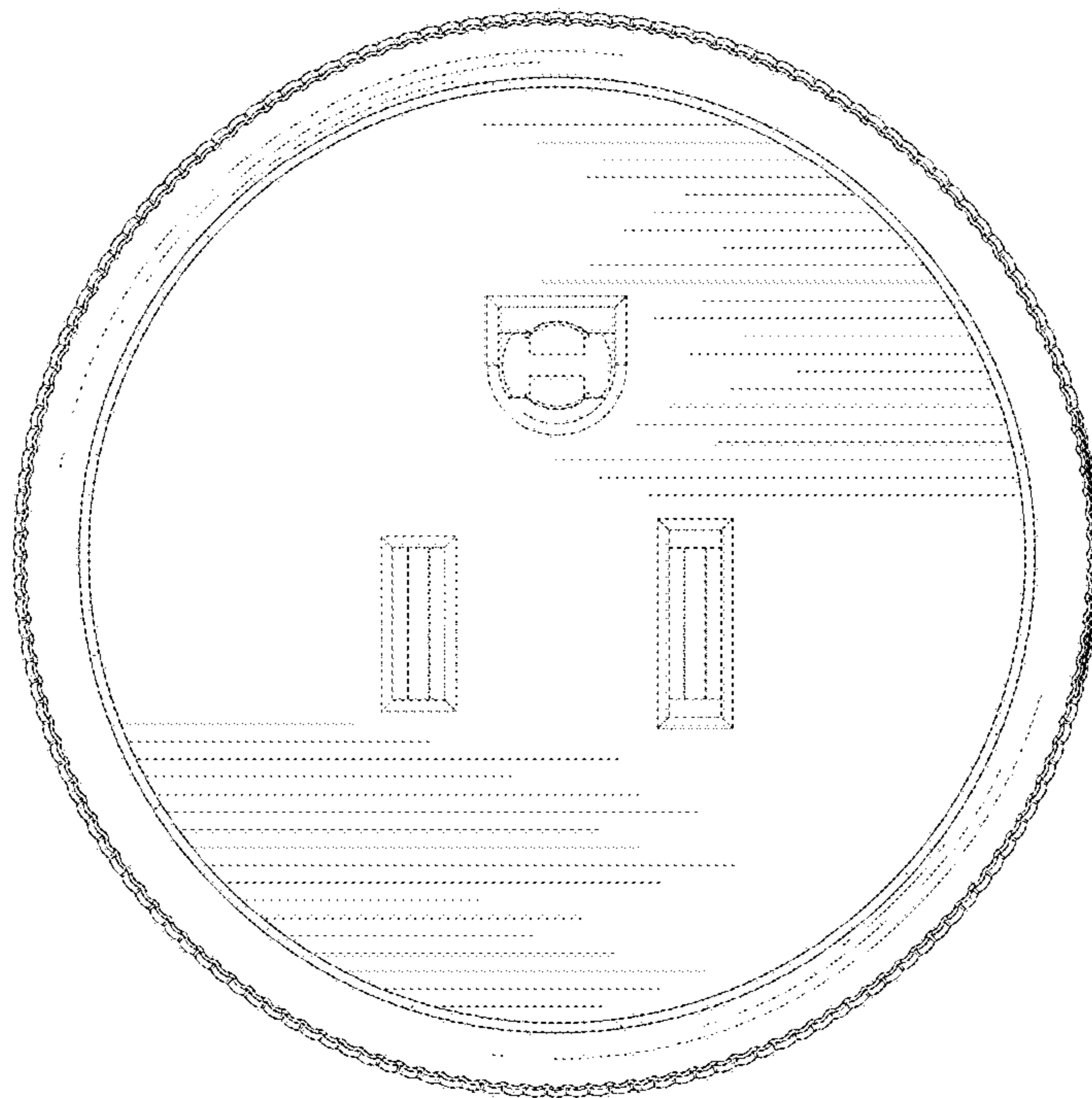


FIG. 1

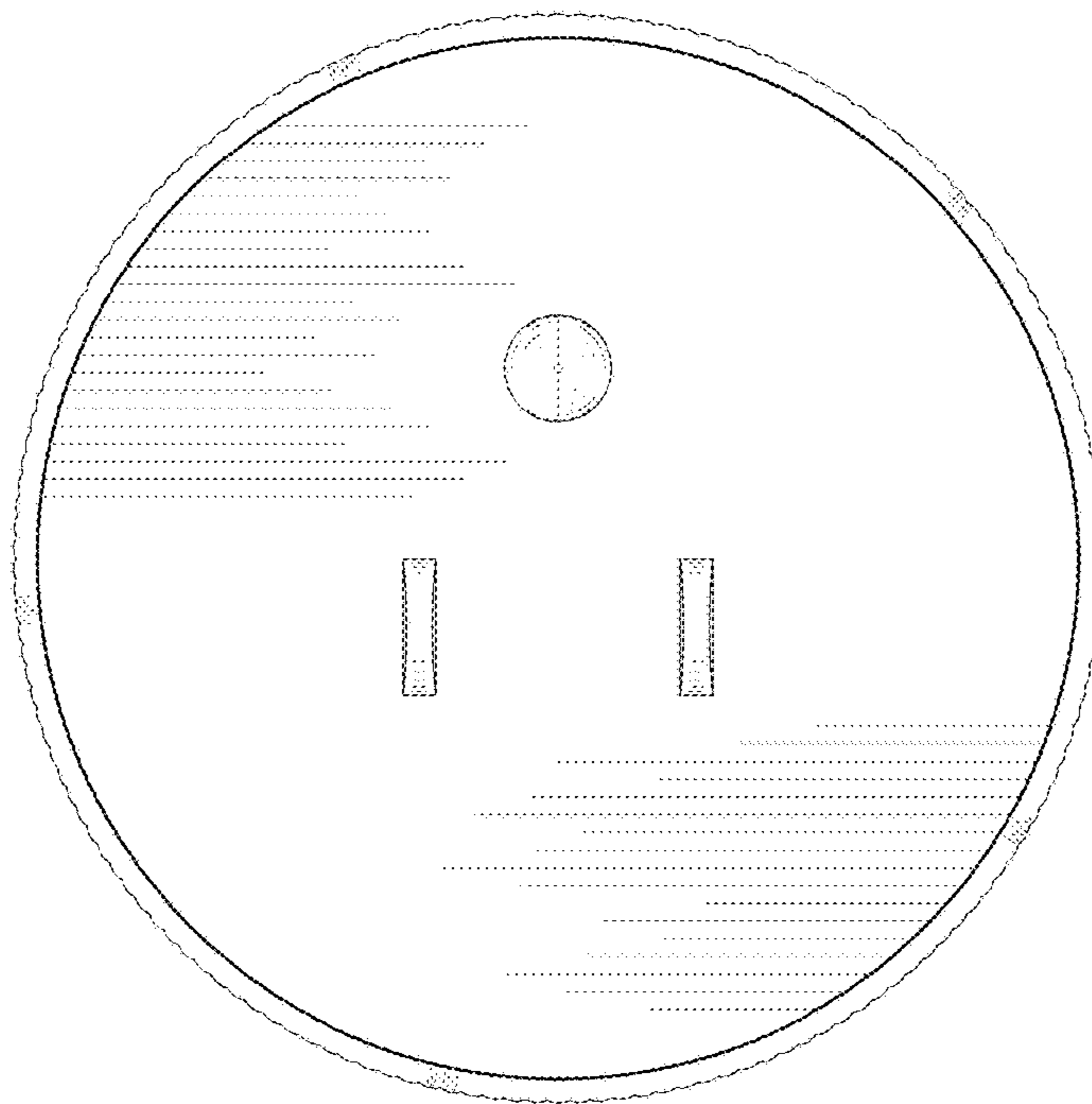


FIG. 2

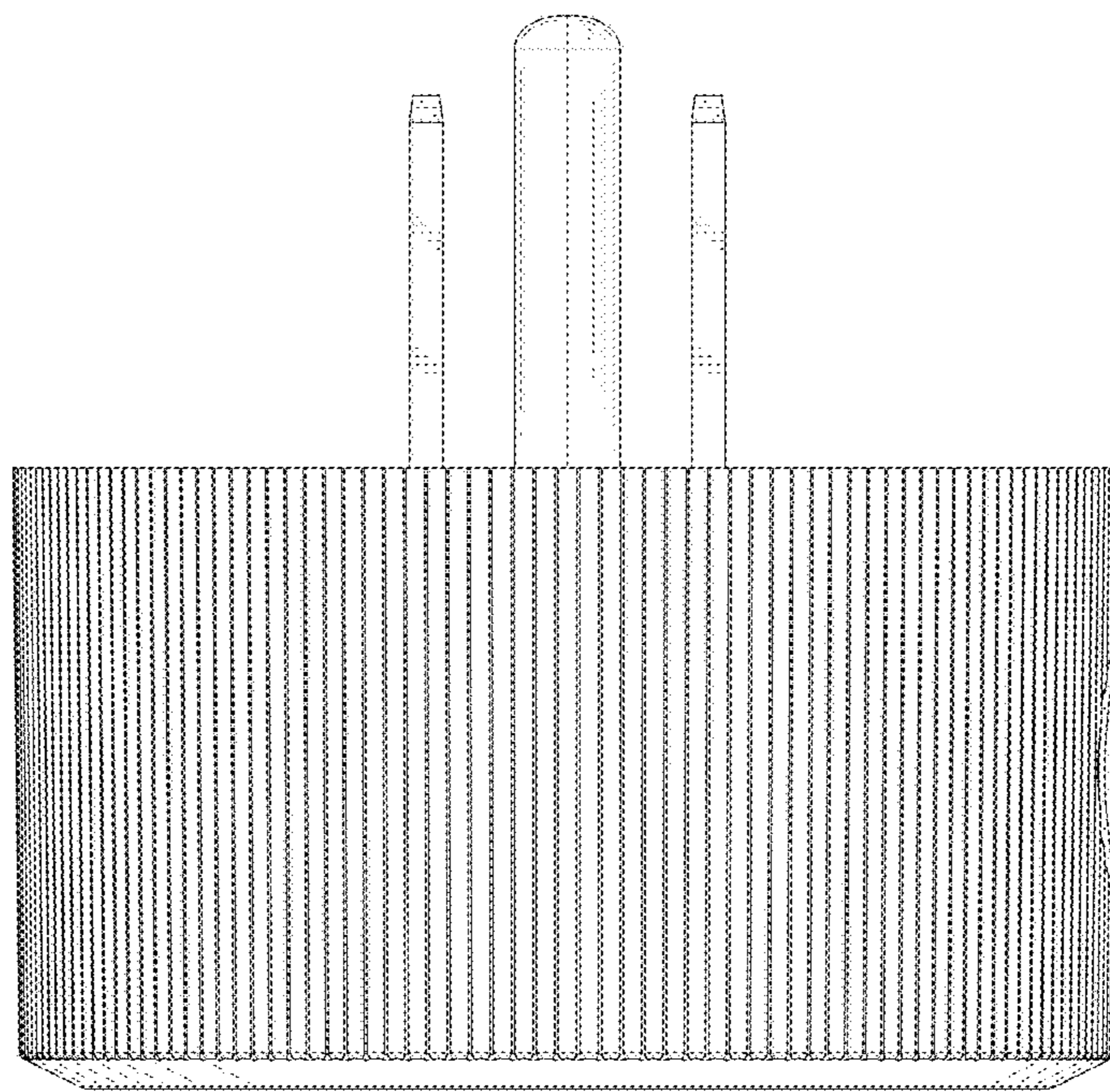


FIG. 3

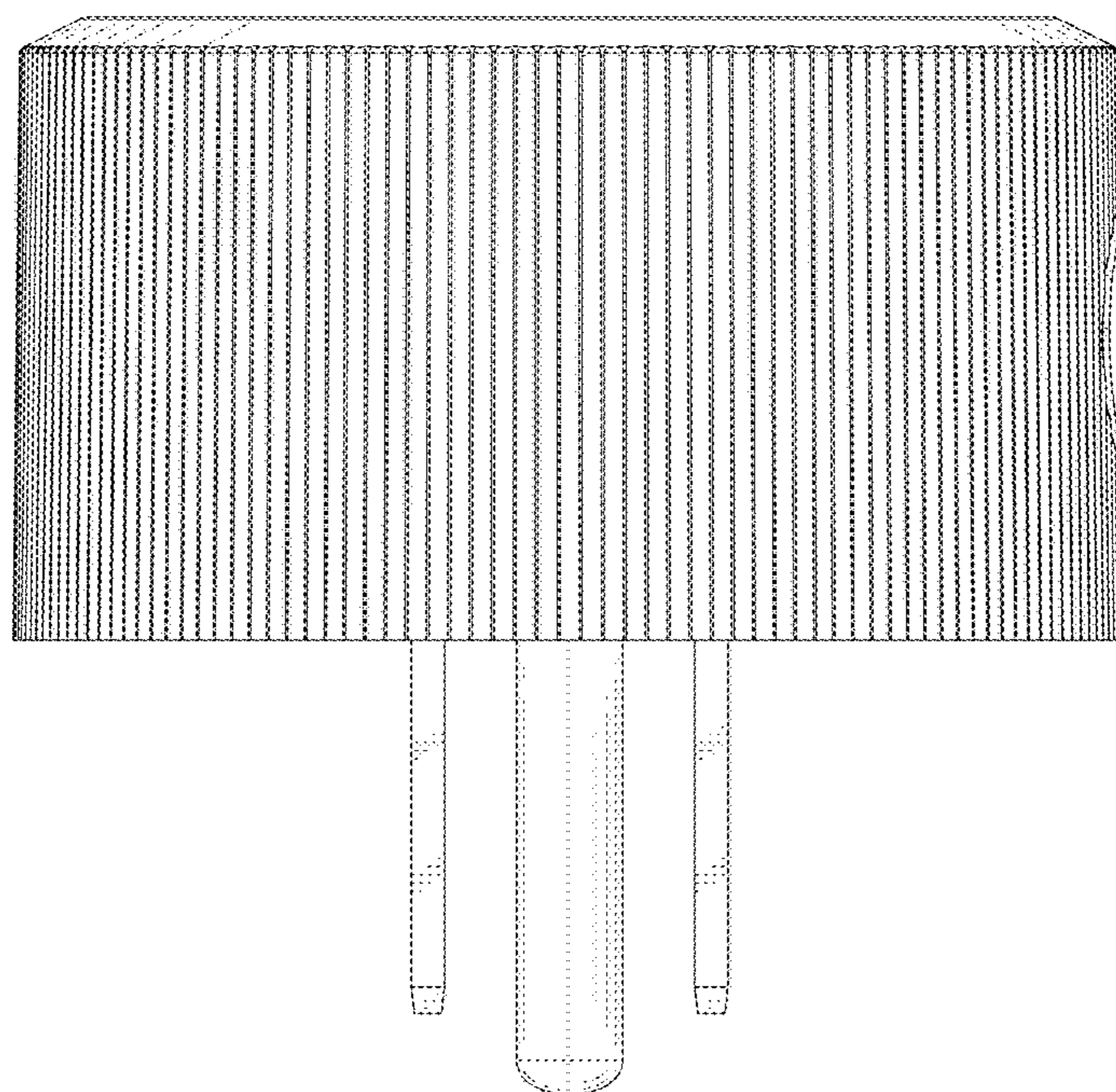


FIG. 4

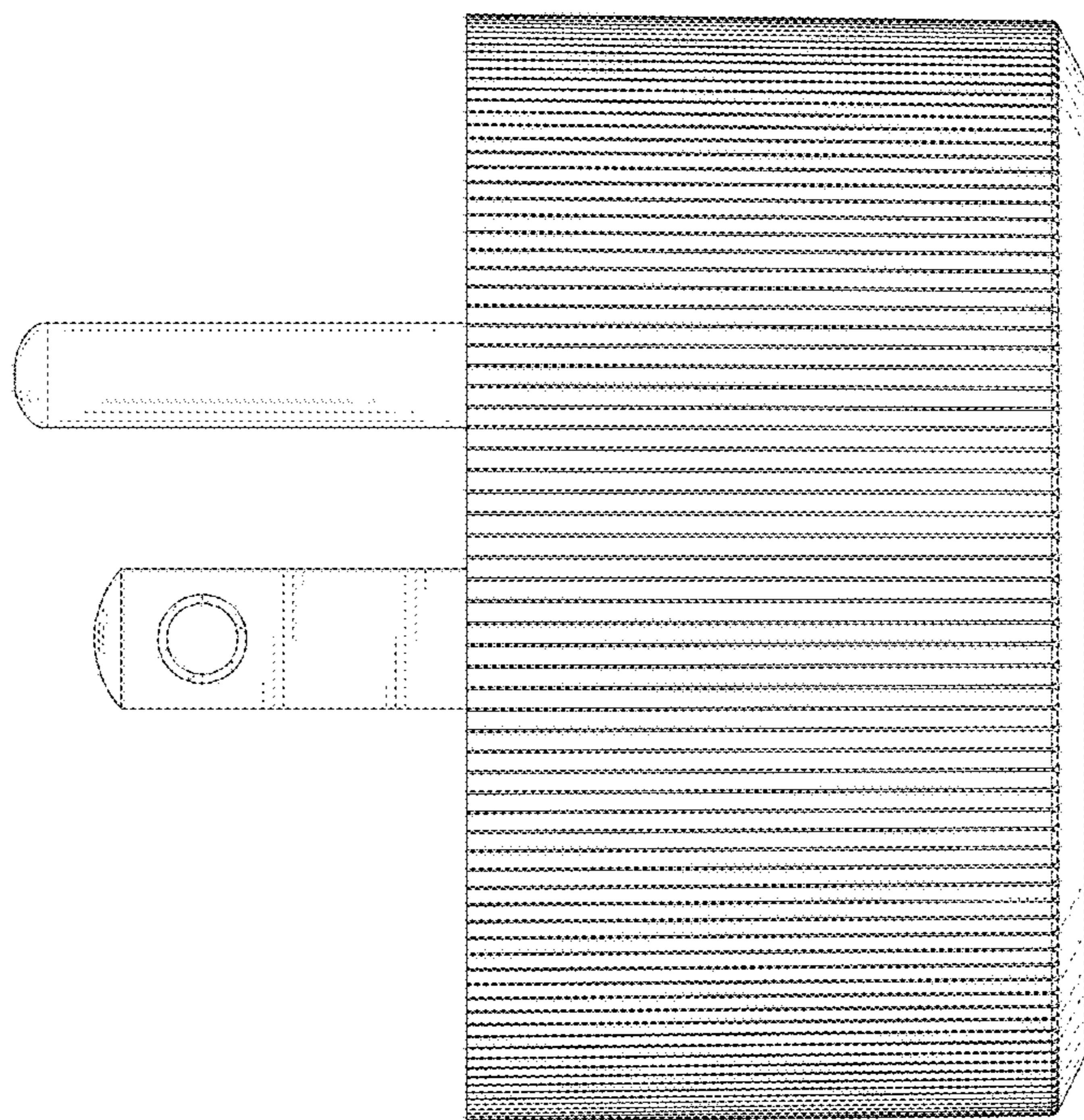


FIG. 5

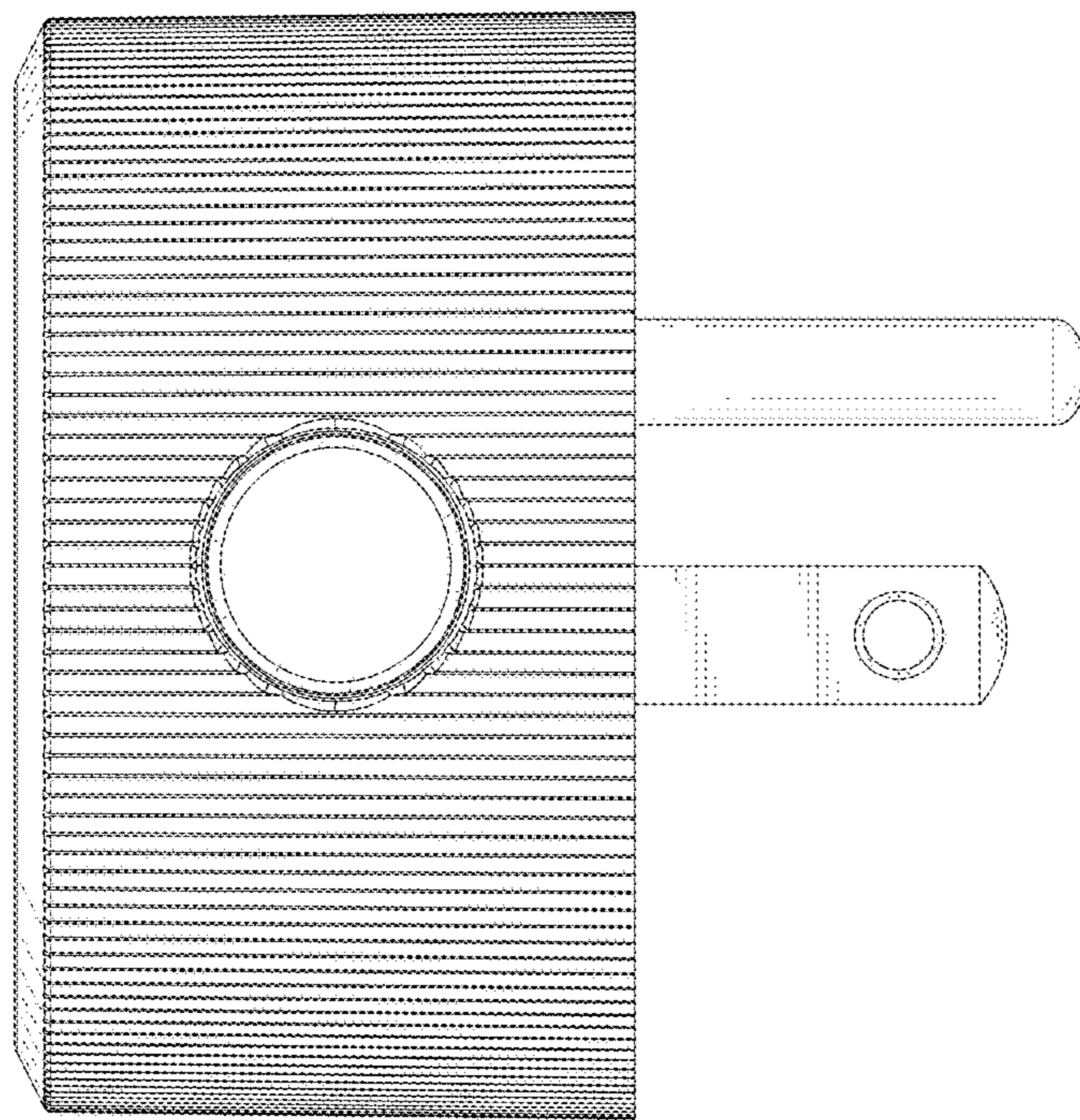


FIG. 6