



US00D836554S

(12) **United States Design Patent** (10) **Patent No.:** **US D836,554 S**
Yamamoto et al. (45) **Date of Patent:** **** Dec. 25, 2018**

(54) **RECHARGEABLE BATTERY**

2/22; H01M 2/0456; H01G 11/10; H01G 9/06

(71) Applicant: **GS Yuasa International Ltd.**,
Kyoto-shi, Kyoto (JP)

See application file for complete search history.

(72) Inventors: **Yuichiro Yamamoto**, Kyoto (JP);
Shogo Tsuruta, Kyoto (JP)

(56) **References Cited**

(73) Assignee: **GS Yuasa International Ltd.**, Kyoto
(JP)

U.S. PATENT DOCUMENTS

(**) Term: **15 Years**

5,225,763 A	7/1993	Krohn et al.	
D448,003 S	9/2001	Ogasawara	
D582,341 S	12/2008	Koenecke	
7,746,029 B2	6/2010	Toya	
7,782,244 B2	8/2010	McRae	
D692,823 S	11/2013	Tanaka	
D729,742 S *	5/2015	Wu	D13/149
D733,062 S *	6/2015	Ito	D13/149
D733,063 S *	6/2015	Ito	D13/149
D749,521 S *	2/2016	Badowski	D13/152
D752,510 S	3/2016	Lin	
D769,814 S	10/2016	Lin	
D770,381 S	11/2016	Lin	
D780,112 S	2/2017	Lin	
D782,972 S	4/2017	Laurino et al.	
D788,698 S	6/2017	Lin	

(21) Appl. No.: **29/616,418**

(22) Filed: **Sep. 6, 2017**

Related U.S. Application Data

(62) Division of application No. 35/501,172, filed on Jan. 7, 2016 (U.S. filing date under 35 U.S.C. 384), and having an international filing date of Jan. 7, 2016, now Pat. No. Des. 804,418.

(Continued)

Primary Examiner — Rhea Shields

(74) *Attorney, Agent, or Firm* — Capitol City TechLaw

(30) **Foreign Application Priority Data**

Jul. 14, 2015	(JP)	2015-015680
Jul. 14, 2015	(JP)	2015-015681
Jul. 14, 2015	(JP)	2015-015682

(57) **CLAIM**

The ornamental design for a rechargeable battery, as shown and described.

(51) **LOC (11) Cl.** **13-02**

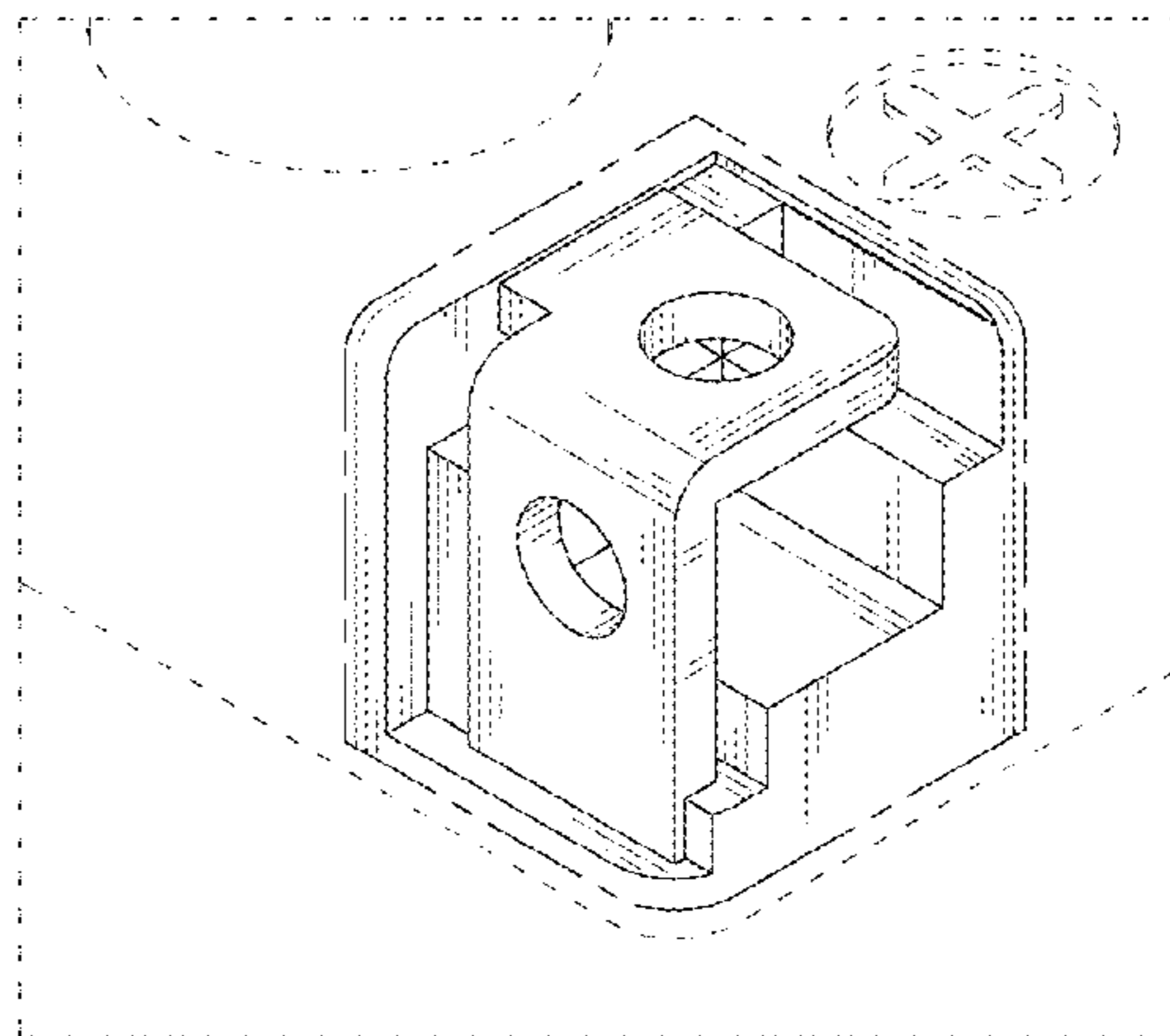
(52) **U.S. Cl.**
USPC **D13/119**

DESCRIPTION

(58) **Field of Classification Search**
USPC D13/119, 103, 158, 152, 133, 149, 104;
320/115, 107; 340/12.54; D8/396;
429/158, 142, 90, 179
CPC H02J 7/0042; G06F 3/01; H01M 10/613;
H01M 10/425; H01M 2/1061; H01M

FIG. 1 is a front, top, and right side perspective view of a rechargeable battery showing our new design;
FIG. 2 is a front view thereof;
FIG. 3 is a top view thereof;
FIG. 4 is a right side view thereof;
FIG. 5 is an enlarged partial view of FIG. 1;
FIG. 6 is an enlarged partial view of FIG. 2;
FIG. 7 is an enlarged partial view of FIG. 3; and,
FIG. 8 is an enlarged partial view of FIG. 4.
The dash-dash broken lines shown in the figures illustrate portions of the rechargeable battery that form no part of the

(Continued)



claimed design. The dot-dash broken lines shown in the figures represent unclaimed boundaries.

1 Claim, 8 Drawing Sheets

(56)

References Cited

U.S. PATENT DOCUMENTS

D791,079	S *	7/2017	Todoverto	D13/133
D804,418	S *	12/2017	Yamamoto	D13/119
D804,438	S *	12/2017	Makis	D13/184
D812,571	S *	3/2018	Jackson	D13/152
D813,172	S *	3/2018	Valivainio	D13/158
D814,286	S *	4/2018	Chapman	D8/396
D817,870	S *	5/2018	Yamamoto	D13/104
2012/0196178	A1 *	8/2012	Kambayashi	H01M 2/0456 429/179
2013/0209859	A1 *	8/2013	Tsuruta	H01G 9/06 429/142
2014/0030586	A1 *	1/2014	Tanonishi	H01M 2/22 429/179
2014/0302364	A1 *	10/2014	Tsuruta	H01M 2/1061 429/90
2017/0237057	A1 *	8/2017	Tsuruta	H01G 11/10 429/158
2018/0090734	A1 *	3/2018	Tsuruta	H01M 10/425
2018/0102573	A1 *	4/2018	Tsuruta	H01M 10/613

* cited by examiner

Fig. 1

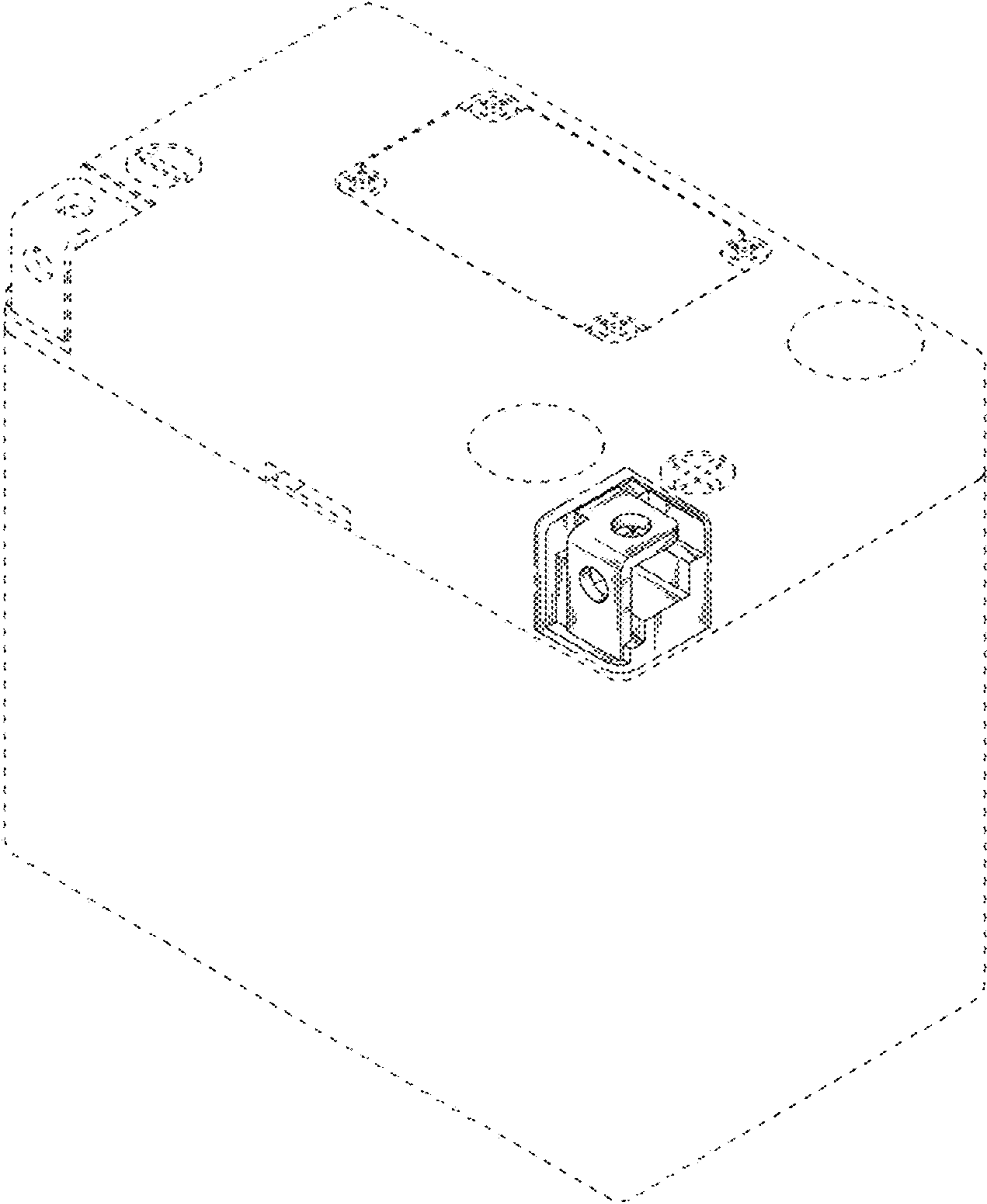


Fig. 2

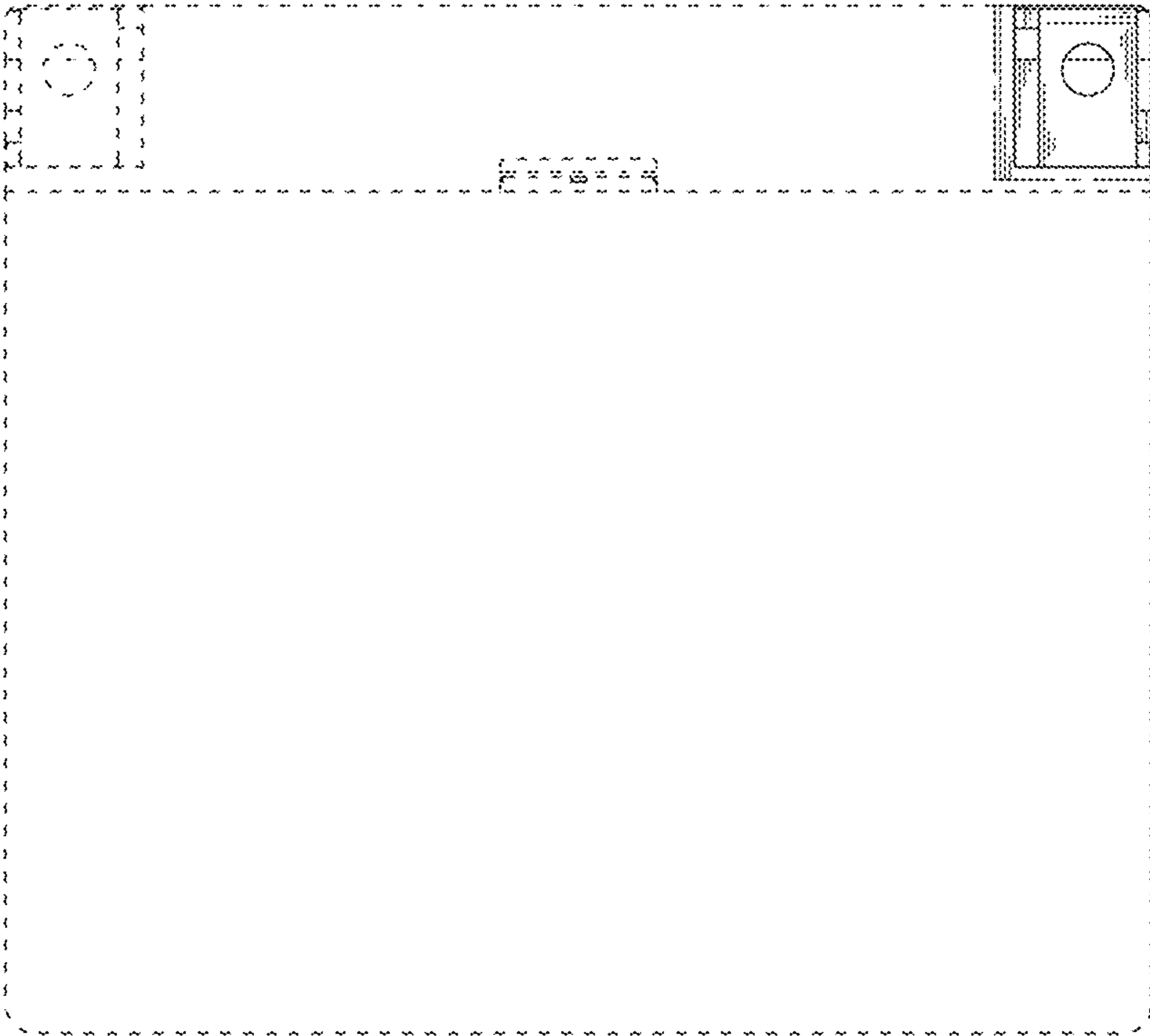


Fig. 3

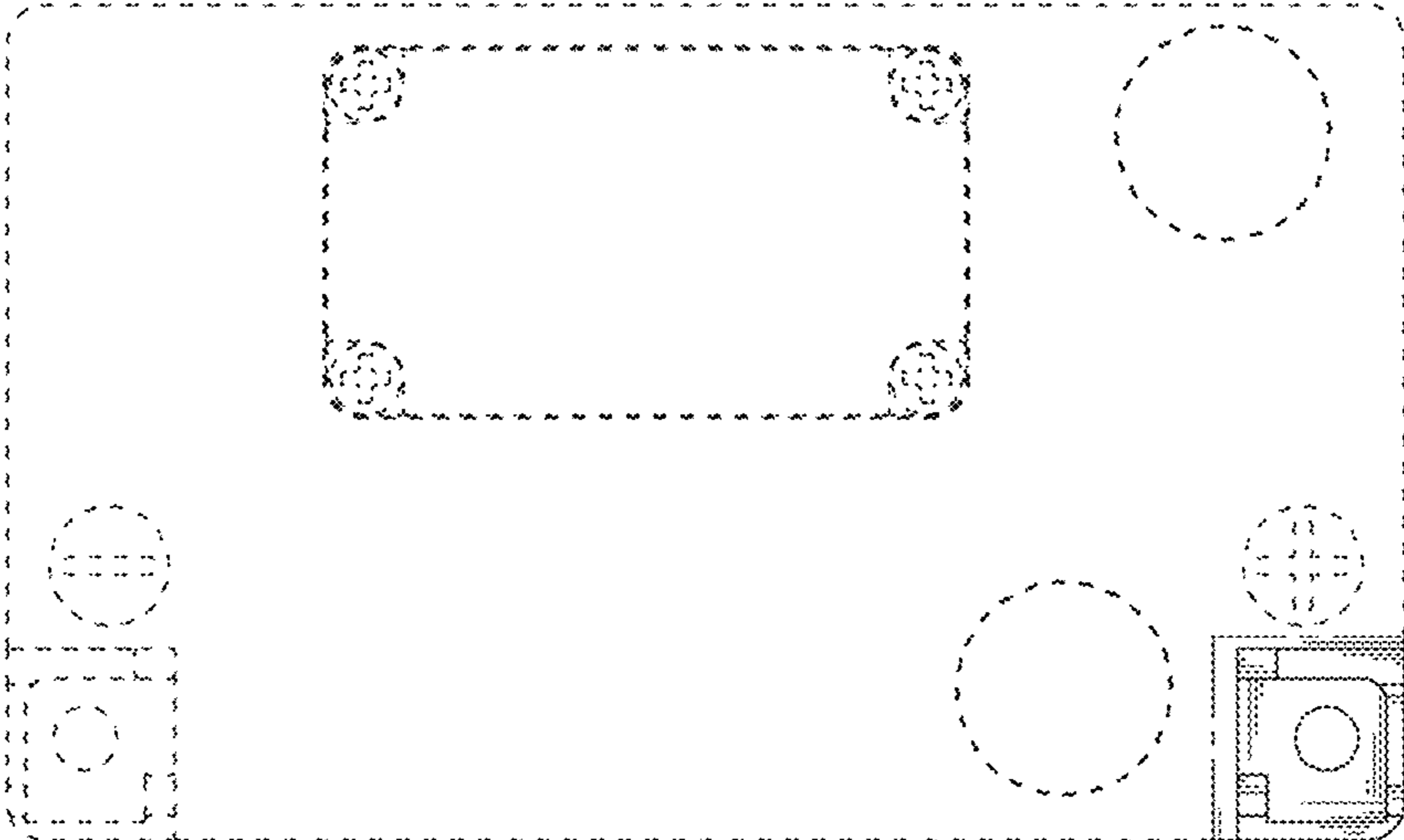


Fig. 4

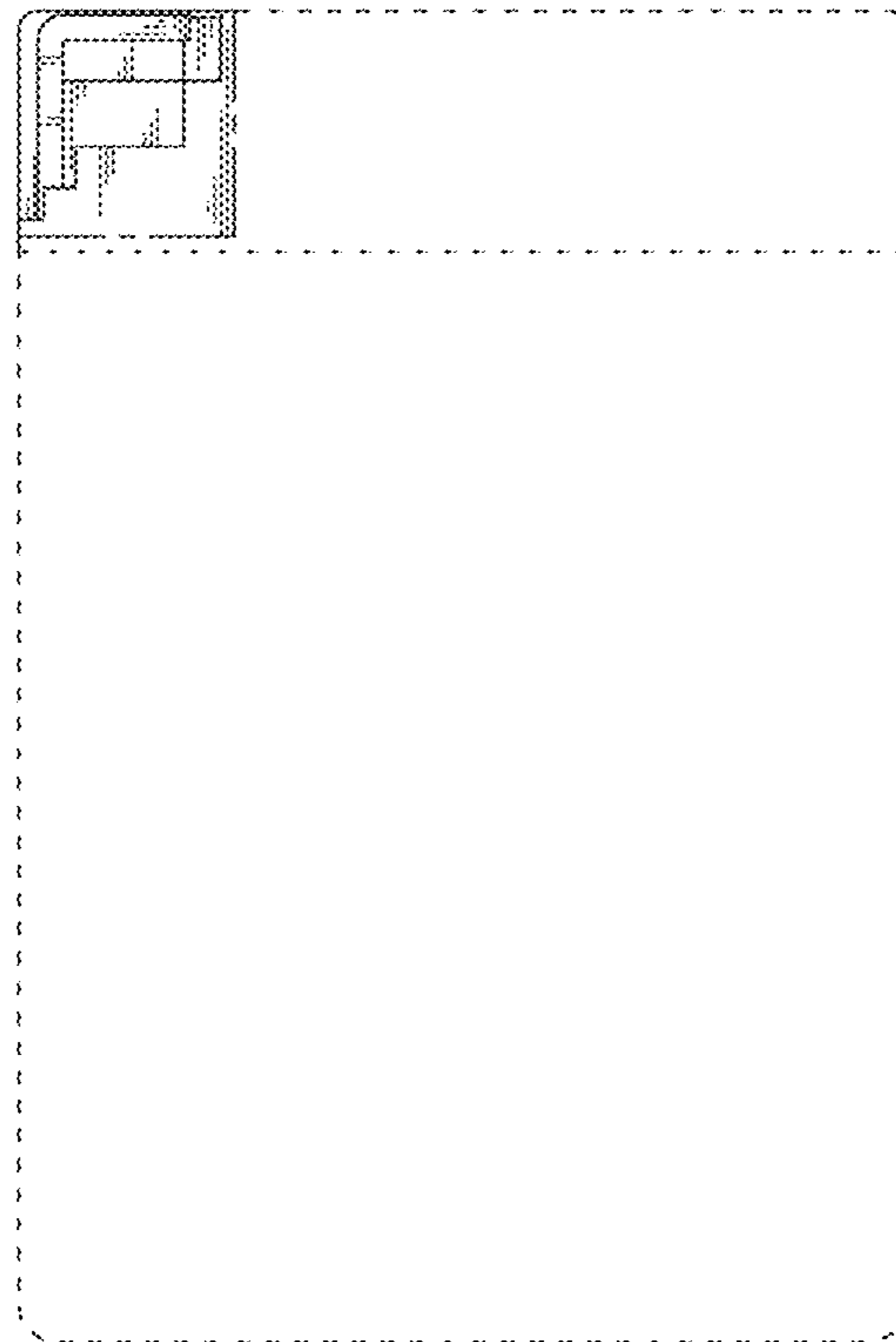


Fig. 5

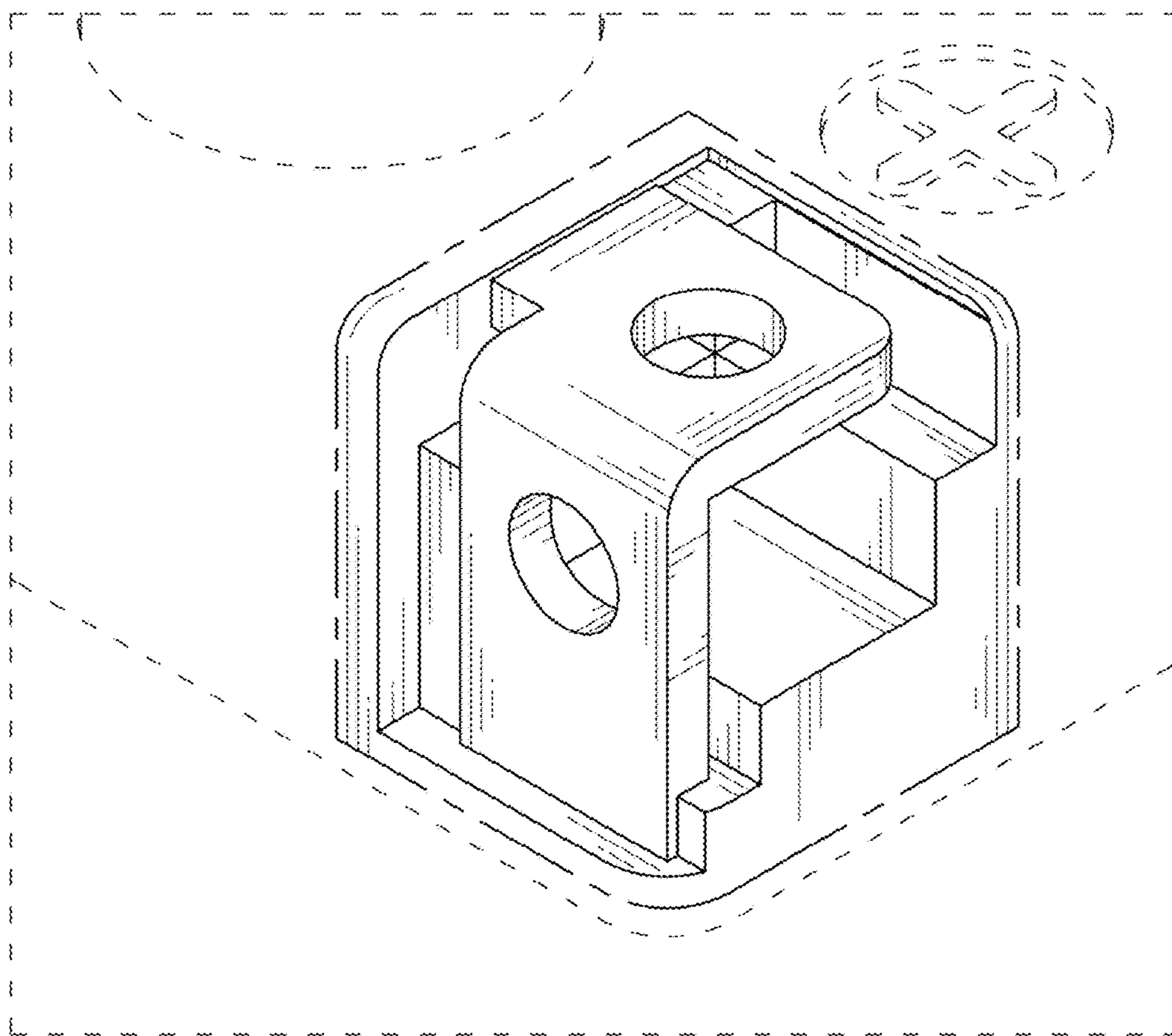


Fig. 6

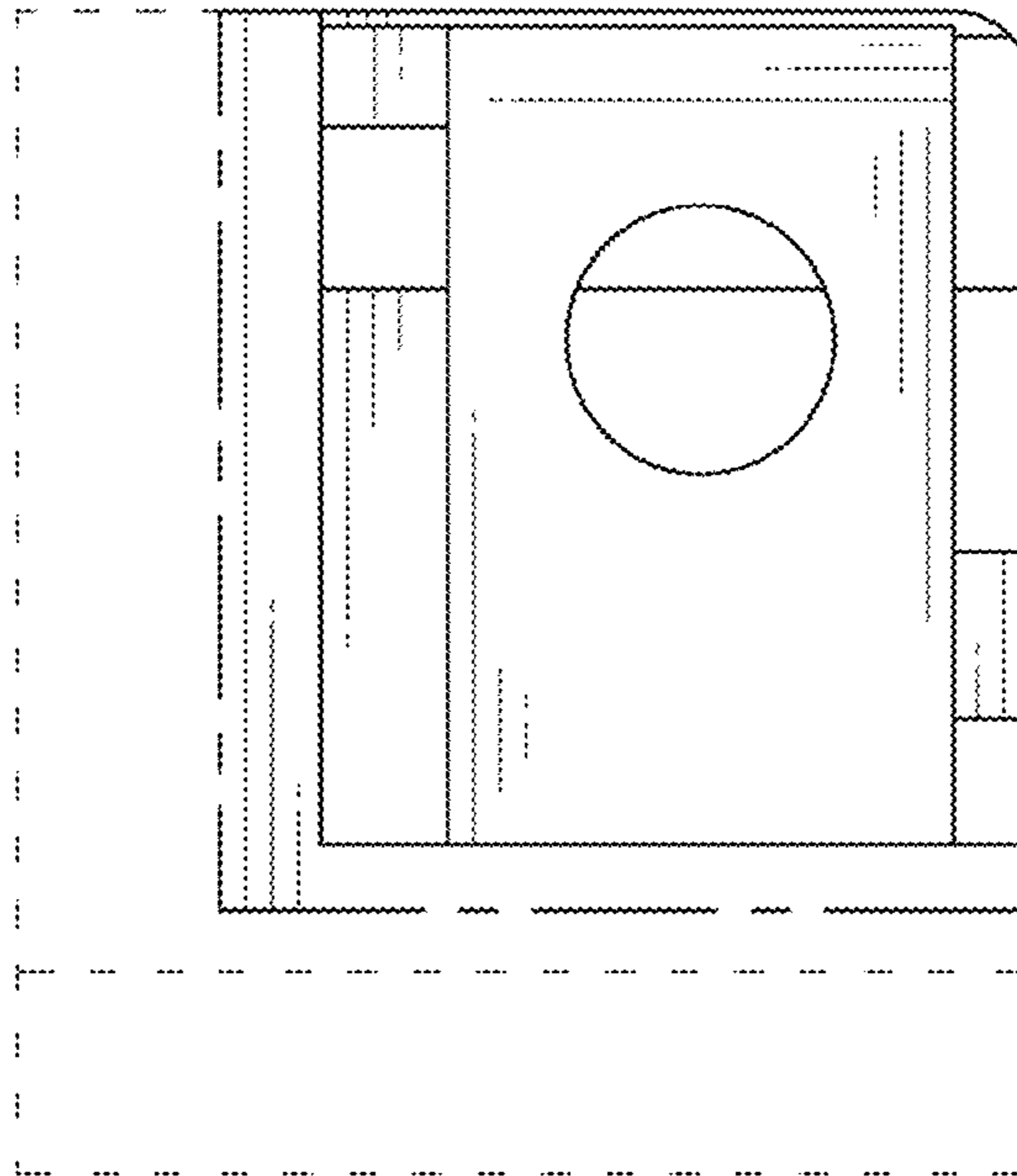


Fig. 7

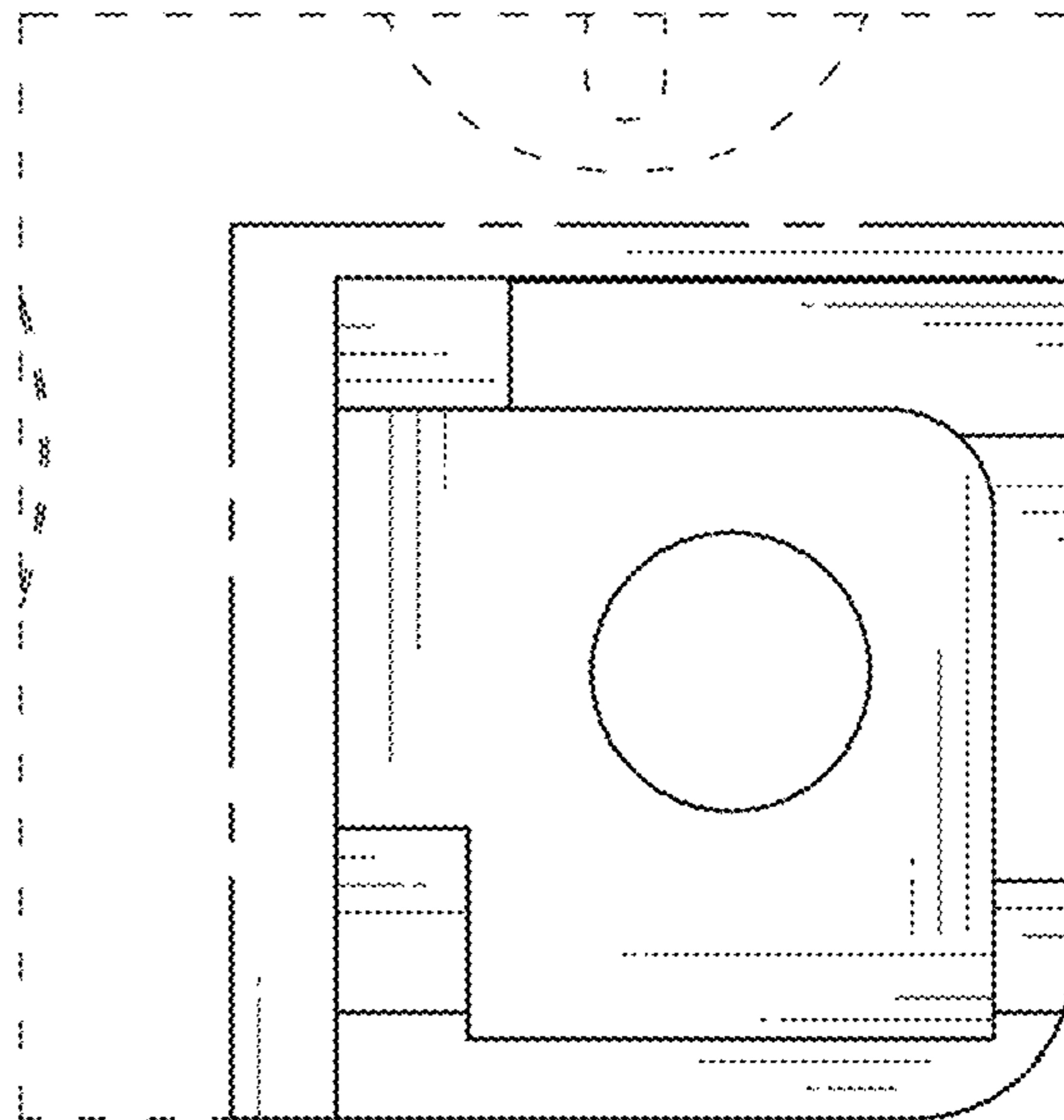


Fig. 8

