



US00D836553S

(12) **United States Design Patent** (10) **Patent No.:** **US D836,553 S**  
**Yamamoto et al.** (45) **Date of Patent:** **\*\* Dec. 25, 2018**

(54) **RECHARGEABLE BATTERY**

2/22; H01M 2/0456; H01G 11/10; H01G 9/06

(71) Applicant: **GS Yuasa International Ltd.**,  
Kyoto-shi, Kyoto (JP)

See application file for complete search history.

(72) Inventors: **Yuichiro Yamamoto**, Kyoto (JP);  
**Shogo Tsuruta**, Kyoto (JP)

(56) **References Cited**

(73) Assignee: **GS Yuasa International Ltd.**, Kyoto  
(JP)

U.S. PATENT DOCUMENTS

(\*\*) Term: **15 Years**

|              |         |                |         |
|--------------|---------|----------------|---------|
| 5,225,763 A  | 7/1993  | Krohn et al.   |         |
| D448,003 S   | 9/2001  | Ogasawara      |         |
| D582,341 S   | 12/2008 | Koenecke       |         |
| 7,746,029 B2 | 6/2010  | Toya           |         |
| 7,782,244 B2 | 8/2010  | McRae          |         |
| D692,823 S   | 11/2013 | Tanaka         |         |
| D729,742 S * | 5/2015  | Wu             | D13/149 |
| D733,062 S * | 6/2015  | Ito            | D13/149 |
| D733,063 S * | 6/2015  | Ito            | D13/149 |
| D749,521 S * | 2/2016  | Badowski       | D13/152 |
| D752,510 S   | 3/2016  | Lin            |         |
| D769,814 S   | 10/2016 | Lin            |         |
| D770,381 S   | 11/2016 | Lin            |         |
| D780,112 S   | 2/2017  | Lin            |         |
| D782,972 S   | 4/2017  | Laurino et al. |         |
| D788,698 S   | 6/2017  | Lin            |         |

(21) Appl. No.: **29/616,403**

(22) Filed: **Sep. 6, 2017**

**Related U.S. Application Data**

(62) Division of application No. 35/501,172, filed on Jan. 7, 2016 (U.S. filing date under 35 U.S.C. 384), and having an international filing date of Jan. 7, 2016, now Pat. No. Des. 804,418.

(Continued)

*Primary Examiner* — Rhea Shields

(74) *Attorney, Agent, or Firm* — Capitol City TechLaw

(30) **Foreign Application Priority Data**

|               |      |             |
|---------------|------|-------------|
| Jul. 14, 2015 | (JP) | 2015-015680 |
| Jul. 14, 2015 | (JP) | 2015-015681 |
| Jul. 14, 2015 | (JP) | 2015-015682 |

(57) **CLAIM**

The ornamental design for a rechargeable battery, as shown and described.

(51) **LOC (11) Cl.** ..... **13-02**

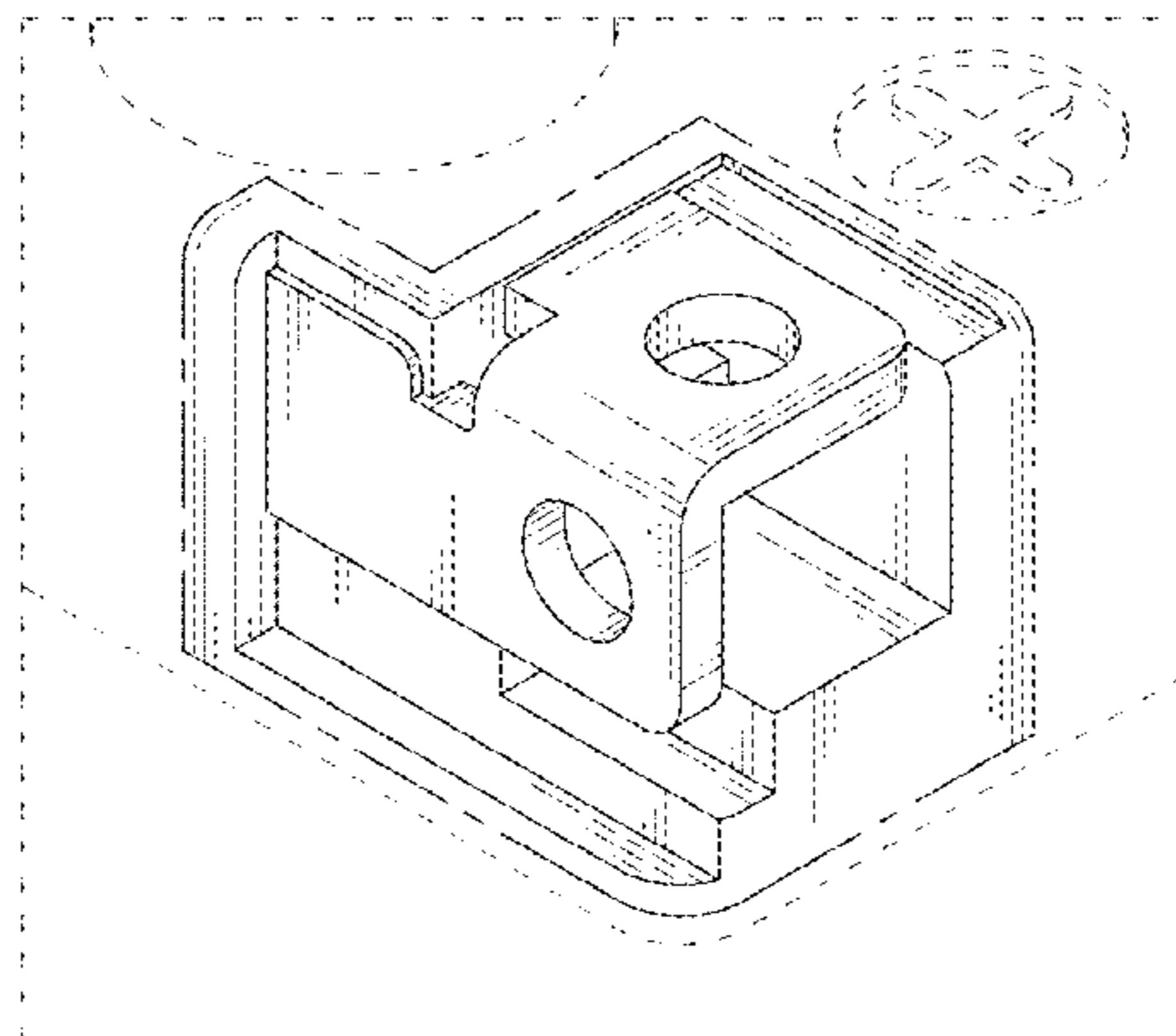
(52) **U.S. Cl.**  
USPC ..... **D13/119**

**DESCRIPTION**

(58) **Field of Classification Search**  
USPC ..... D13/119, 103, 158, 152, 133, 149, 104;  
320/115, 107; 340/12.54; D8/396;  
429/158, 142, 90, 179  
CPC ..... H02J 7/0042; G06F 3/01; H01M 10/613;  
H01M 10/425; H01M 2/1061; H01M

FIG. 1 is a front, top, and right side perspective view of a rechargeable battery showing our new design;  
FIG. 2 is a front view thereof;  
FIG. 3 is a top view thereof;  
FIG. 4 is a right side view thereof;  
FIG. 5 is an enlarged partial view of FIG. 1;  
FIG. 6 is an enlarged partial view of FIG. 2;  
FIG. 7 is an enlarged partial view of FIG. 3; and,  
FIG. 8 is an enlarged partial view of FIG. 4.  
The dash-dash broken lines shown in the figures illustrate portions of the rechargeable battery that form no part of the

(Continued)



claimed design. The dot-dash broken lines shown in the figures represent unclaimed boundaries.

**1 Claim, 8 Drawing Sheets**

(56)

**References Cited**

U.S. PATENT DOCUMENTS

|              |      |         |                  |                        |
|--------------|------|---------|------------------|------------------------|
| D791,079     | S *  | 7/2017  | Todovertto ..... | D13/133                |
| D804,418     | S *  | 12/2017 | Yamamoto .....   | D13/119                |
| D804,438     | S *  | 12/2017 | Makis .....      | D13/184                |
| D812,571     | S *  | 3/2018  | Jackson .....    | D13/152                |
| D813,172     | S *  | 3/2018  | Valivainio ..... | D13/158                |
| D814,286     | S *  | 4/2018  | Chapman .....    | D8/396                 |
| D817,870     | S *  | 5/2018  | Yamamoto .....   | D13/104                |
| 2012/0196178 | A1 * | 8/2012  | Kambayashi ..... | H01M 2/0456<br>429/179 |
| 2013/0209859 | A1 * | 8/2013  | Tsuruta .....    | H01G 9/06<br>429/142   |
| 2014/0030586 | A1 * | 1/2014  | Tononishi .....  | H01M 2/22<br>429/179   |
| 2014/0302364 | A1 * | 10/2014 | Tsuruta .....    | H01M 2/1061<br>429/90  |
| 2017/0237057 | A1 * | 8/2017  | Tsuruta .....    | H01G 11/10<br>429/158  |
| 2018/0090734 | A1 * | 3/2018  | Tsuruta .....    | H01M 10/425            |
| 2018/0102573 | A1 * | 4/2018  | Tsuruta .....    | H01M 10/613            |

\* cited by examiner

Fig. 1

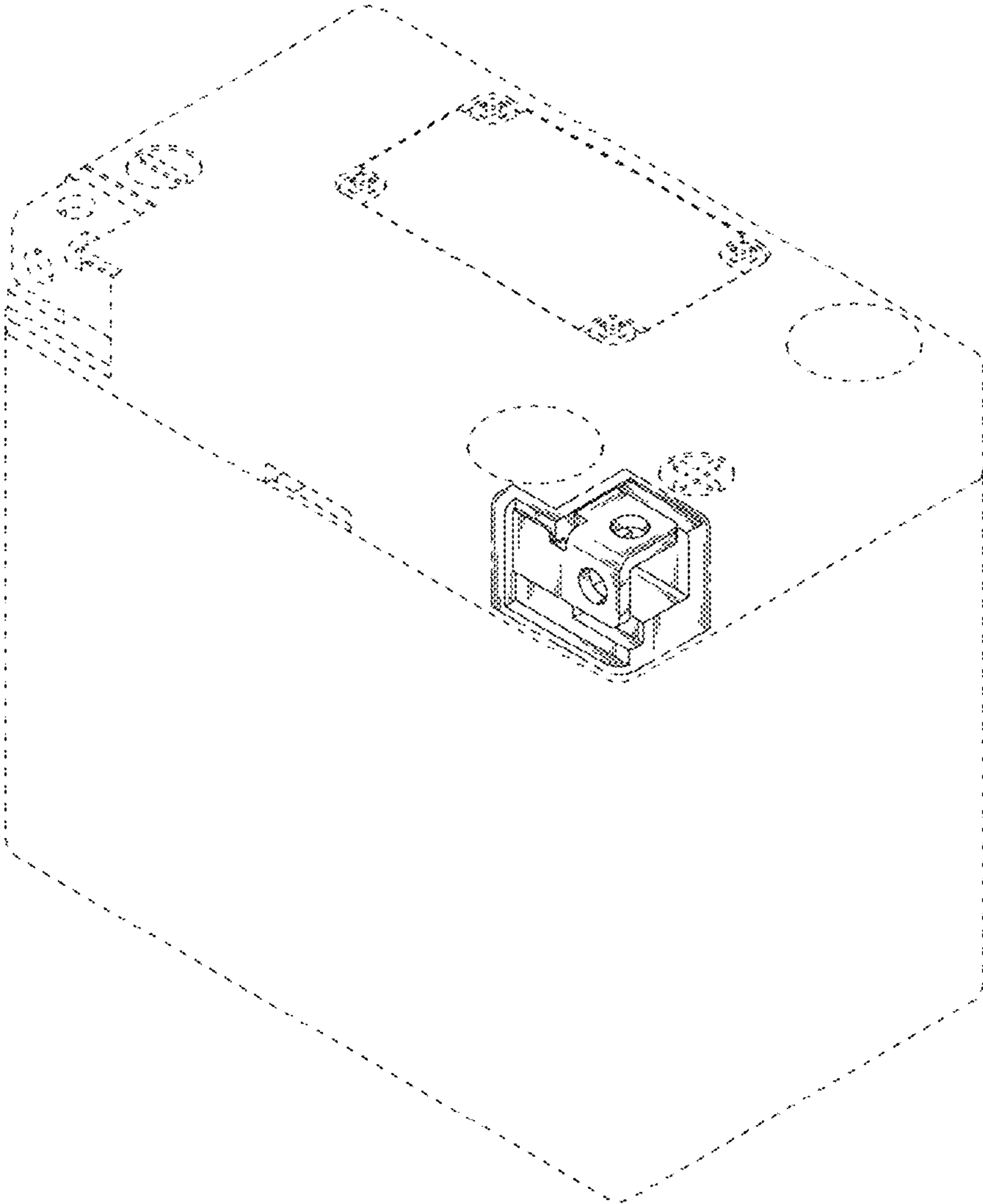


Fig. 2

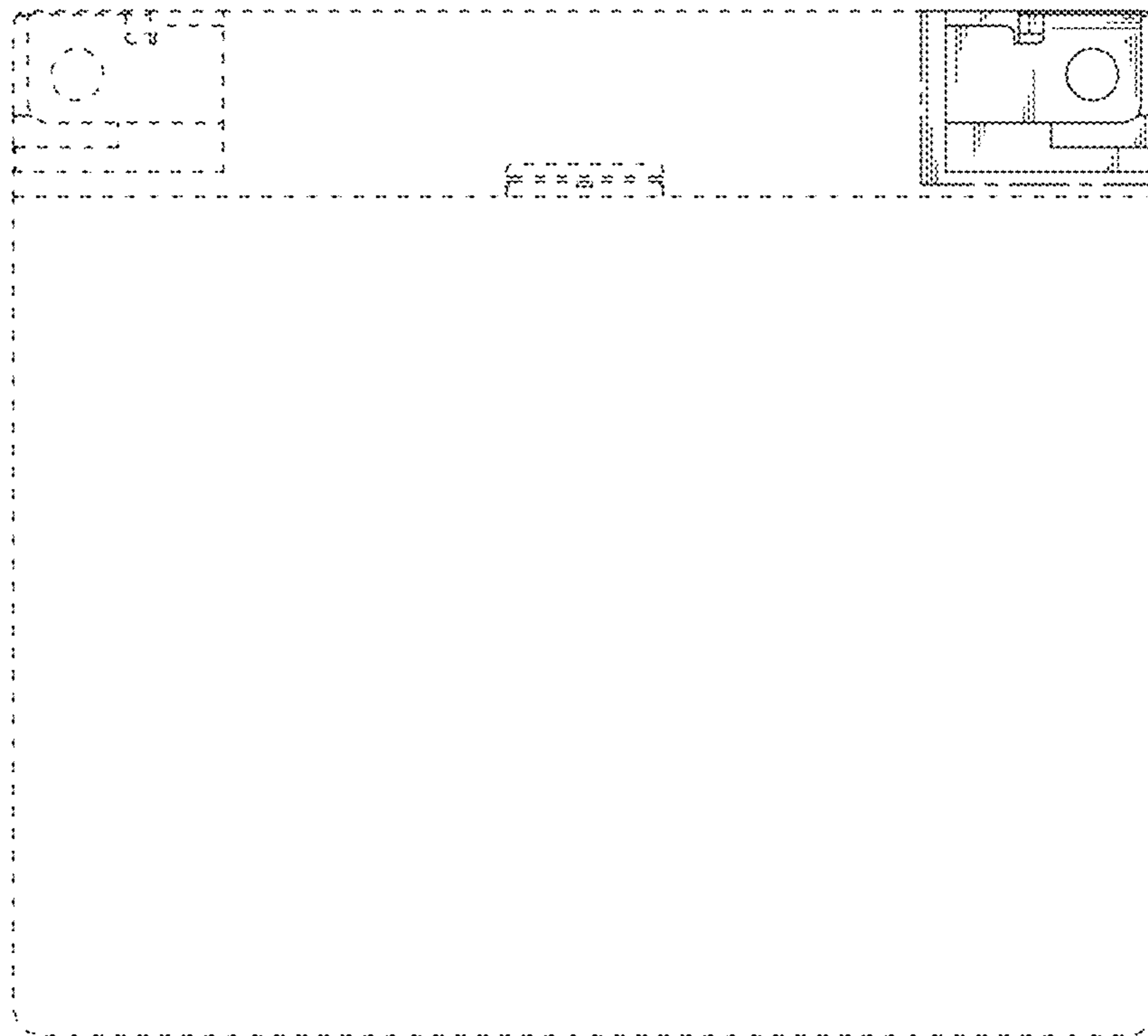


Fig. 3

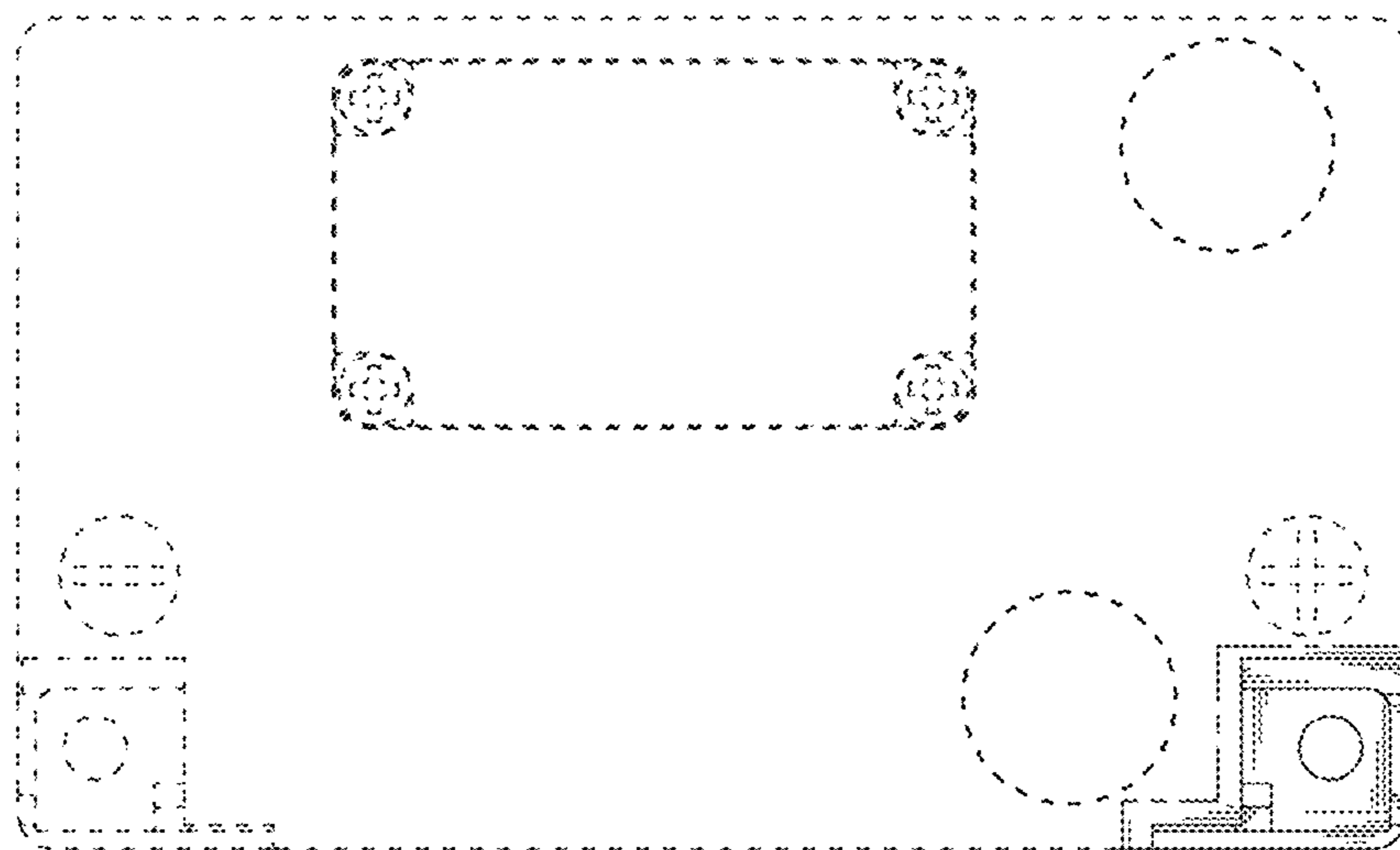


Fig. 4

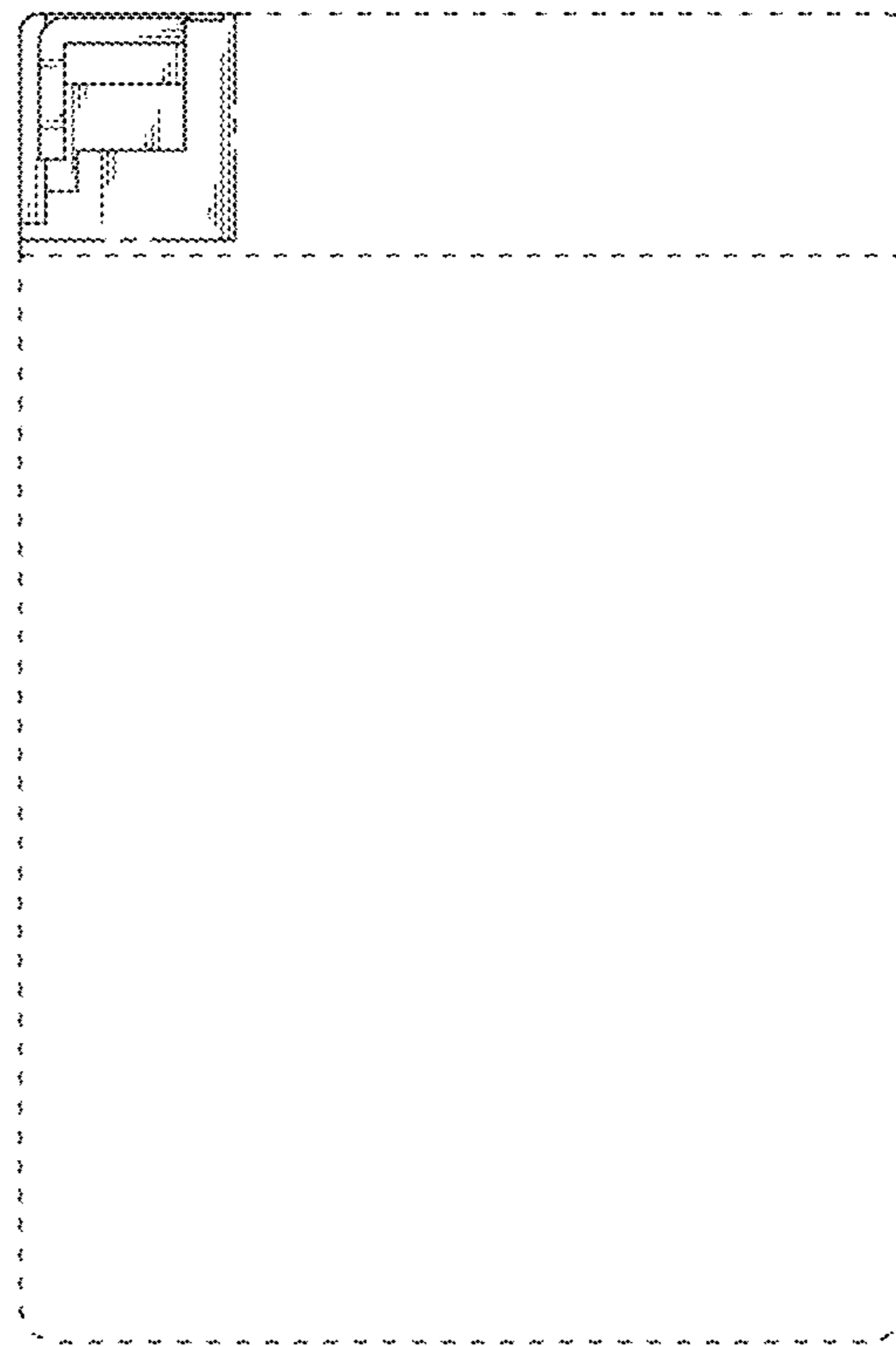


Fig. 5

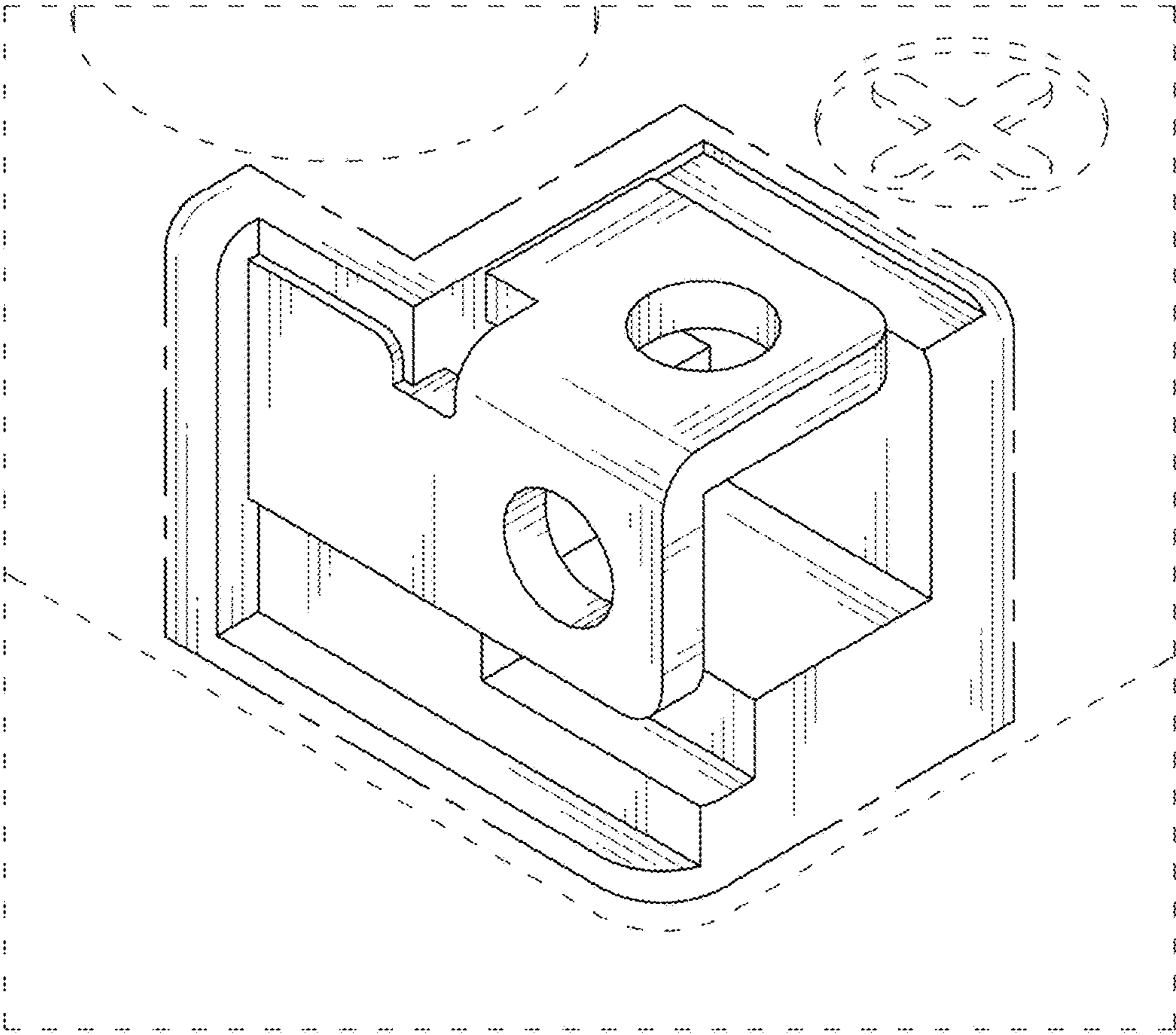


Fig. 6

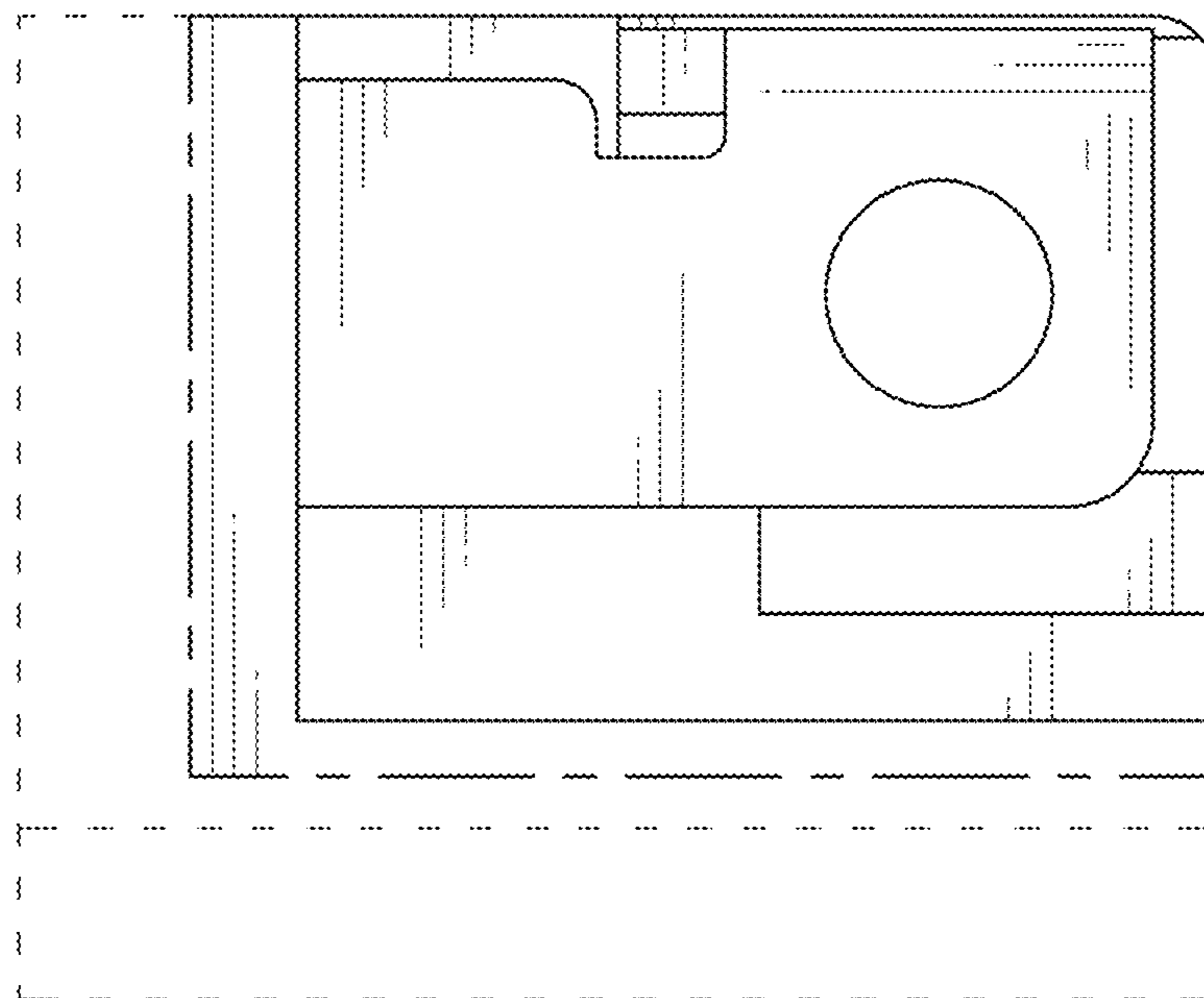




Fig. 7

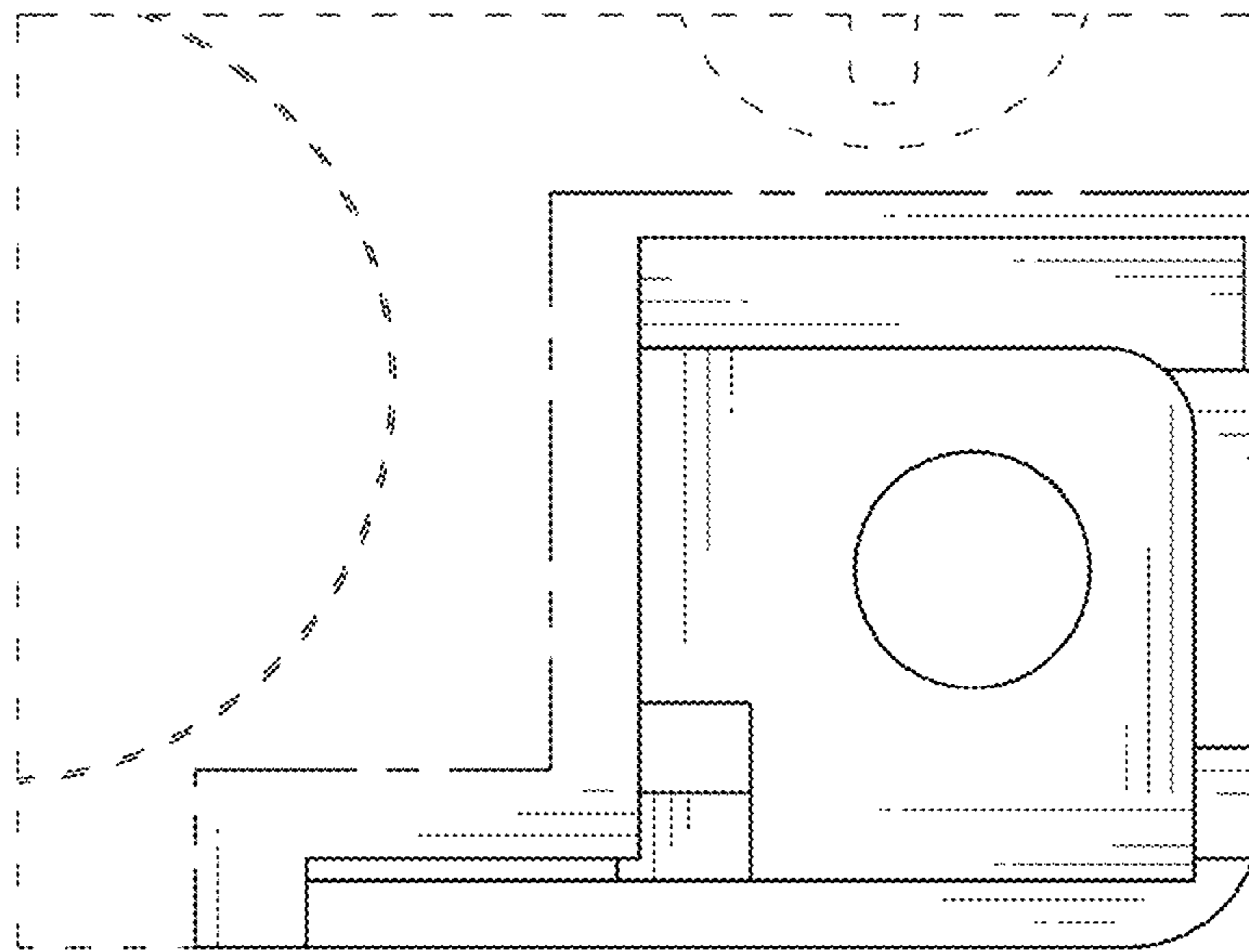


Fig. 8

