



US00D836551S

(12) **United States Design Patent** (10) **Patent No.:** **US D836,551 S**
Kaneko (45) **Date of Patent:** **** Dec. 25, 2018**

(54) **MOTOR FOR A RAILWAY VEHICLE**
(71) Applicant: **Mitsubishi Electric Corporation,**
Tokyo (JP)
(72) Inventor: **Kenta Kaneko,** Tokyo (JP)
(73) Assignee: **Mitsubishi Electric Corporation,**
Tokyo (JP)

D314,550 S * 2/1991 Sieber D13/112
D314,742 S * 2/1991 Sieber D13/112
D332,081 S * 12/1992 Sieber D13/112
D772,814 S * 11/2016 Rivault D13/114
D778,836 S * 2/2017 Schieck D13/112
D780,119 S * 2/2017 Schieck D13/112
D794,563 S * 8/2017 Matta D13/114
D812,566 S * 3/2018 Kaneko D13/112
D813,164 S * 3/2018 Kaneko D13/112
D813,811 S * 3/2018 Courtois D13/114
2012/0126647 A1 * 5/2012 Quero H02K 5/225
310/71
2018/0159403 A1 * 6/2018 Yokoyama H02K 5/20

(**) Term: **15 Years**
(21) Appl. No.: **29/615,872**
(22) Filed: **Aug. 31, 2017**

* cited by examiner

(30) **Foreign Application Priority Data**

Primary Examiner — T Chase Nelson
Assistant Examiner — Ania Aman
(74) *Attorney, Agent, or Firm* — Stuebaker & Brackett
PC

May 19, 2017 (JP) 2017-010634

(51) **LOC (11) Cl.** **13-01**
(52) **U.S. Cl.**
USPC **D13/112**

(57) **CLAIM**

The ornamental design for a motor for a railway vehicle, as shown and described.

(58) **Field of Classification Search**
USPC D15/5, 7; D13/112, 113, 114, 122, 184,
D13/199
CPC H02K 5/06; H02K 5/225; H02K 11/33;
H02K 9/14; H02K 7/1025; H02K
7/20918; H02K 5/00; H02K 5/02; H02K
5/04; H02K 5/08; H02K 3/24; H02K
3/47; H02K 1/12; H02K 5/18; H02K
11/0094; H01M 2/30; H01F 27/24; H01F
27/30; F02B 63/04
See application file for complete search history.

DESCRIPTION

FIG. 1 is a front, top and right side perspective view of a motor for a railway vehicle showing my new design;
FIG. 2 is a rear, bottom and left side perspective view thereof;
FIG. 3 is a front view thereof;
FIG. 4 is a rear view thereof;
FIG. 5 is a top view thereof;
FIG. 6 is a bottom view thereof;
FIG. 7 is a left side view thereof; and,
FIG. 8 is a right side view thereof.
The parts shown in the broken lines do not form part of the claimed designs. The dot and dashed lines mean a boundary between the claimed portion and the non-claimed portion.

(56) **References Cited**

U.S. PATENT DOCUMENTS

D191,982 S * 12/1961 Eisenhart D13/114
D236,005 S * 7/1975 Baumann D13/112
D236,985 S * 9/1975 Baumann D13/112

1 Claim, 8 Drawing Sheets

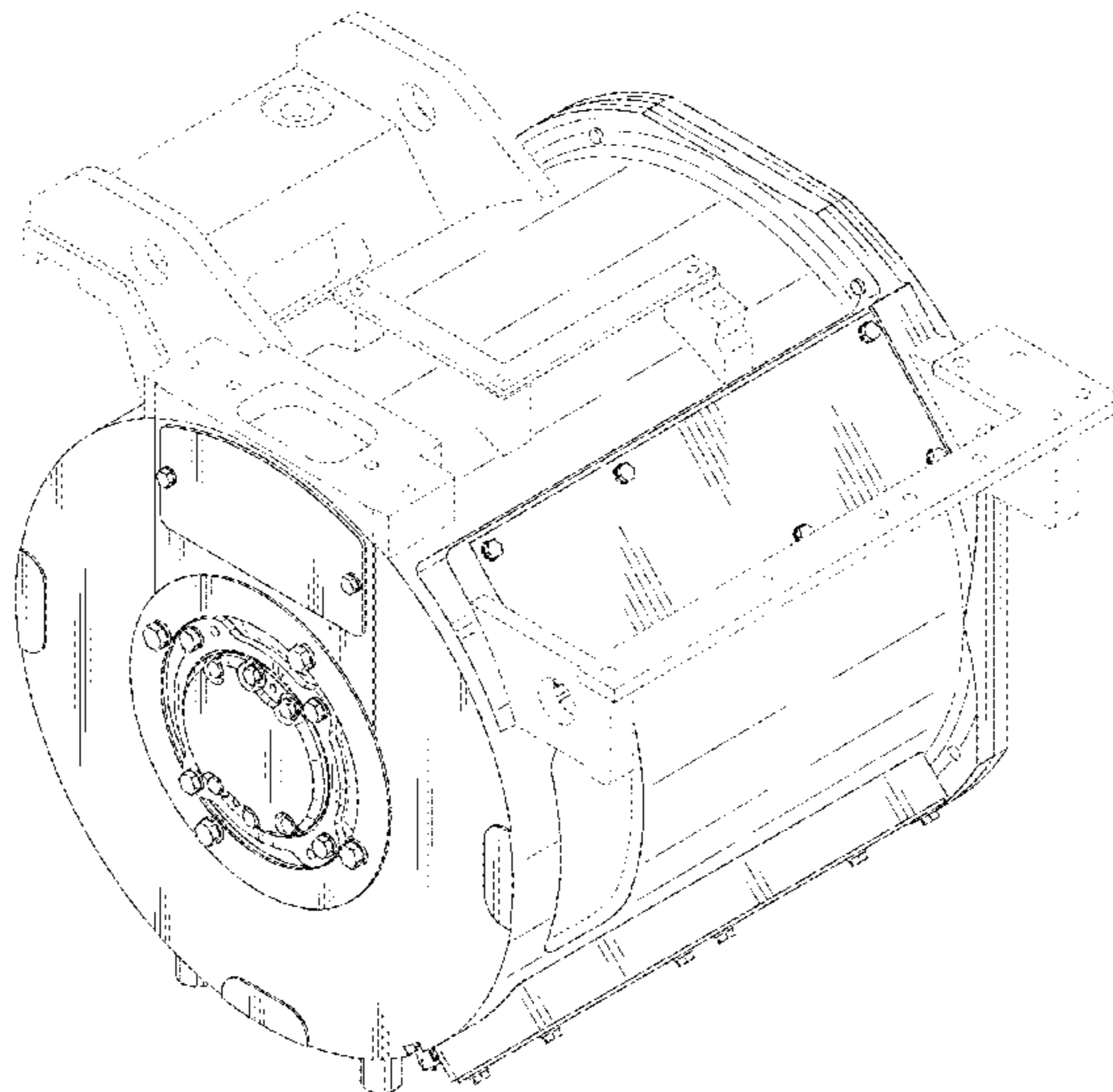


Fig. 1

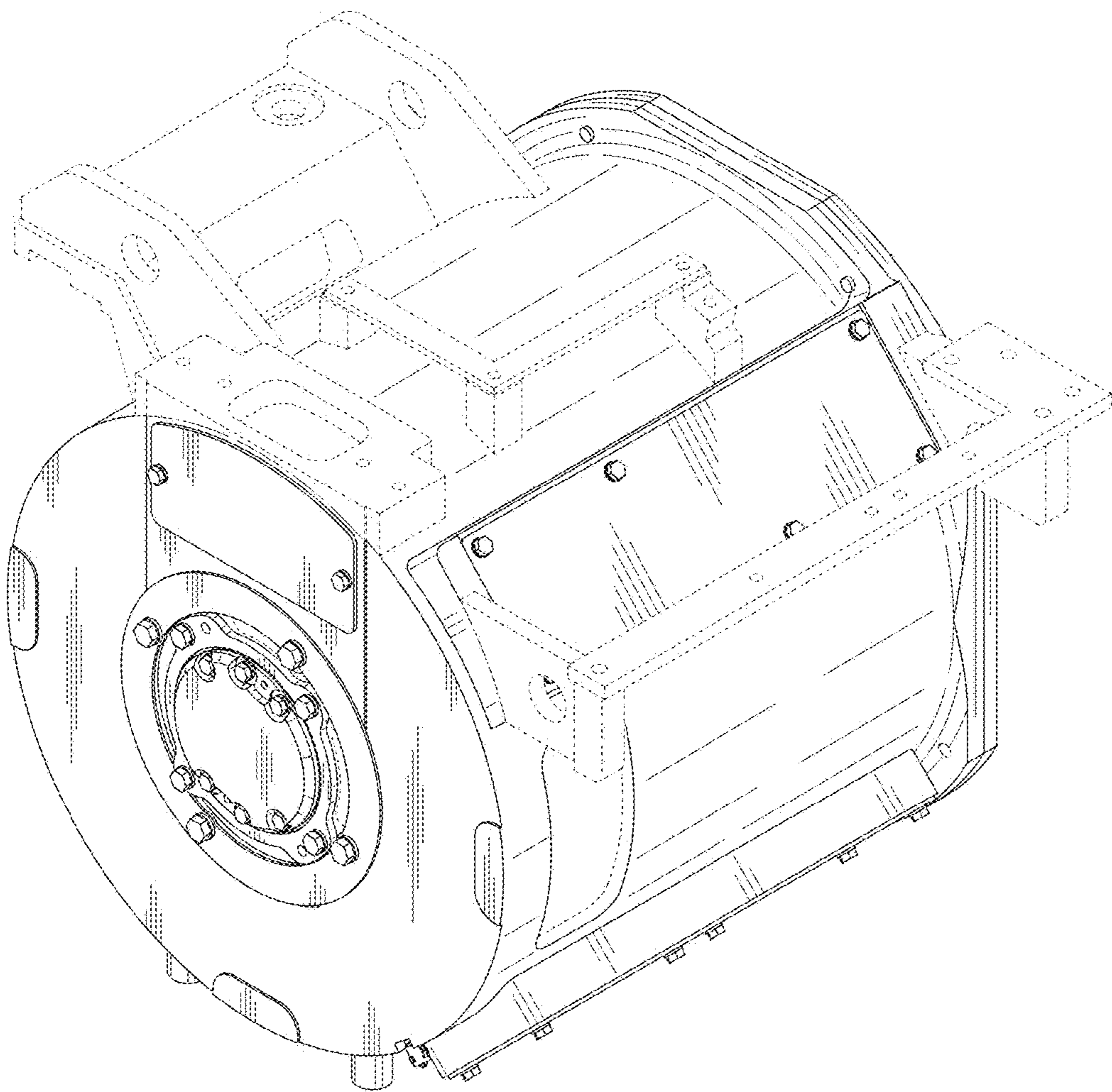


Fig. 2

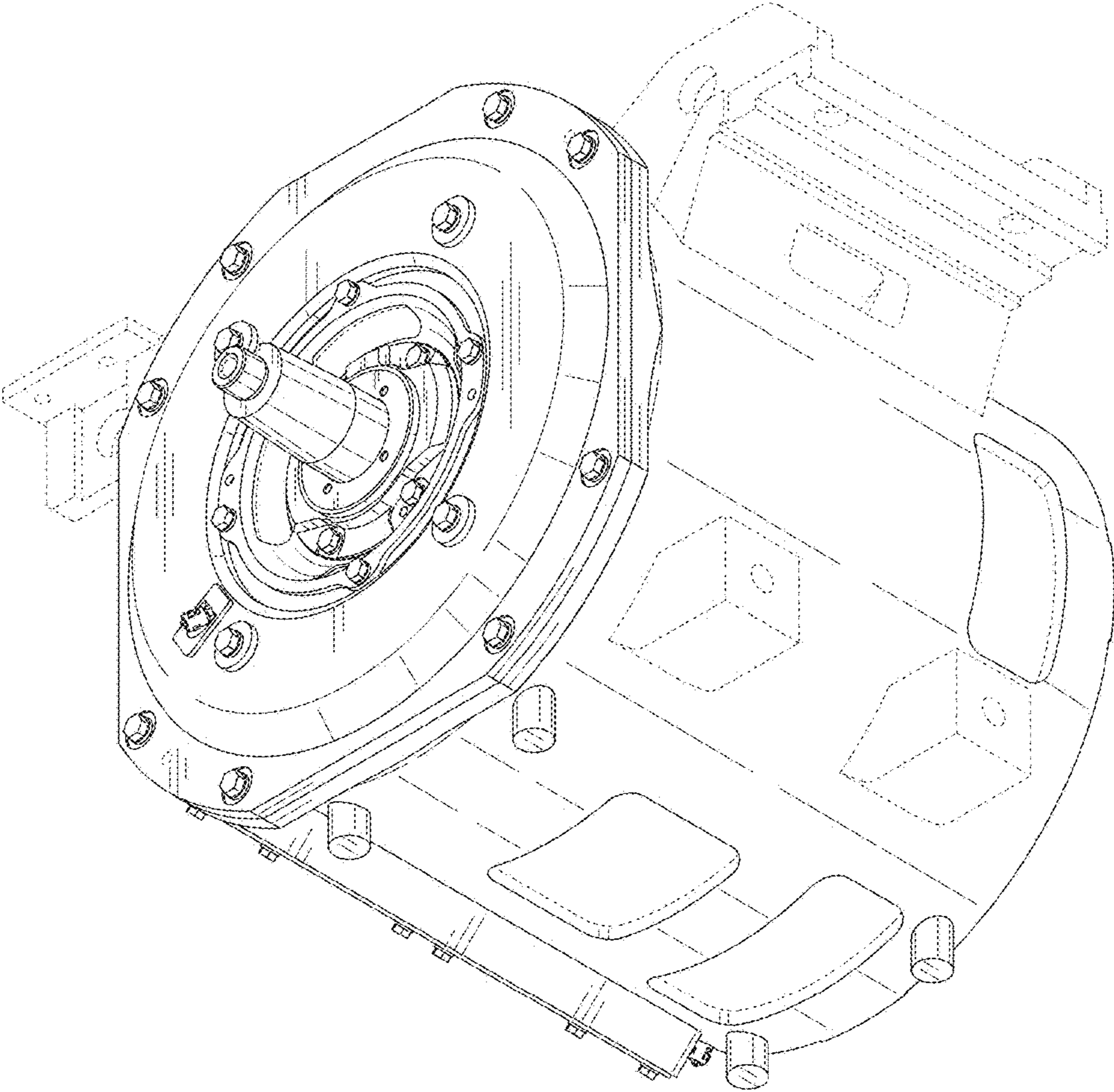


Fig. 3

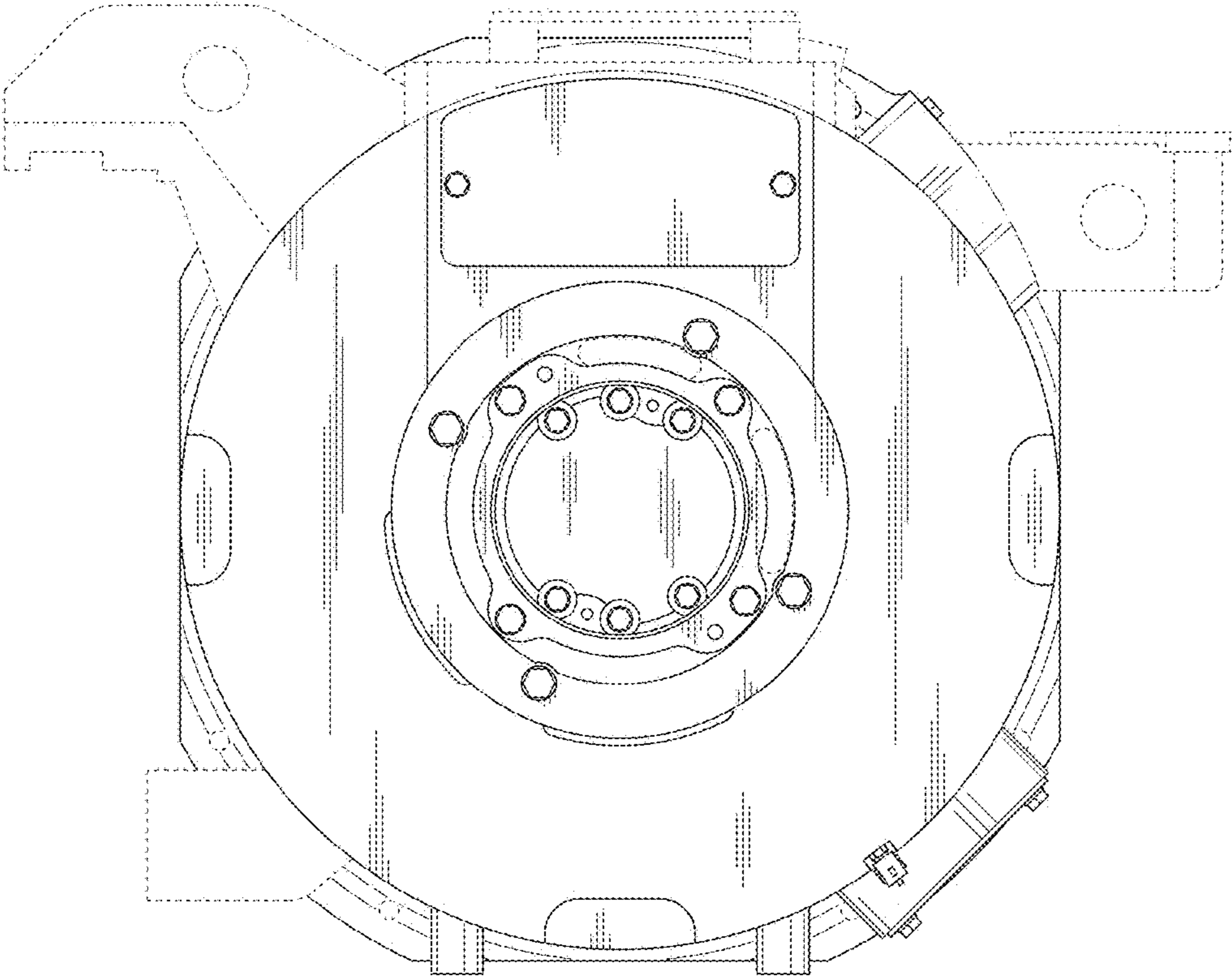


Fig. 4

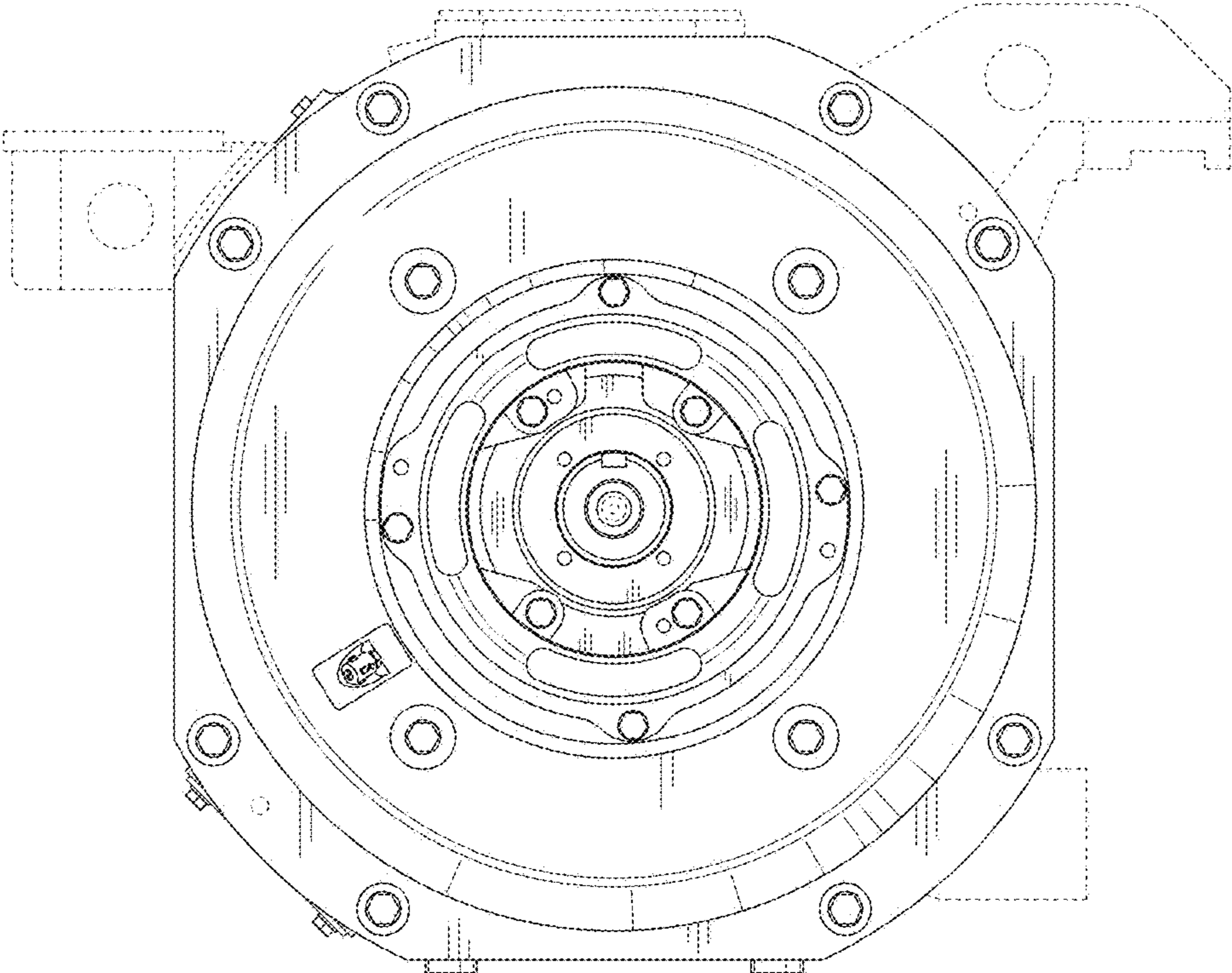


Fig. 5

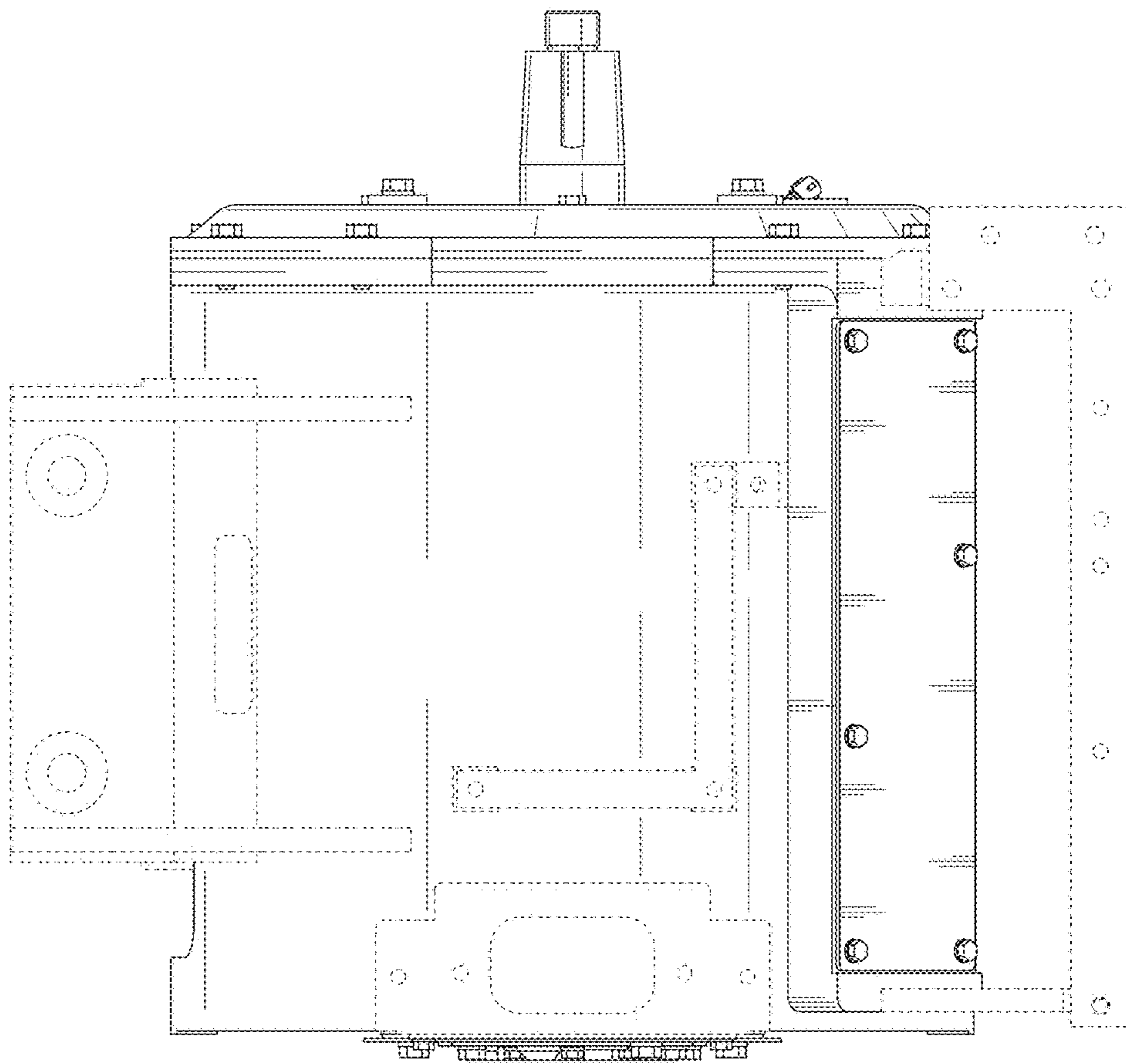


Fig. 6

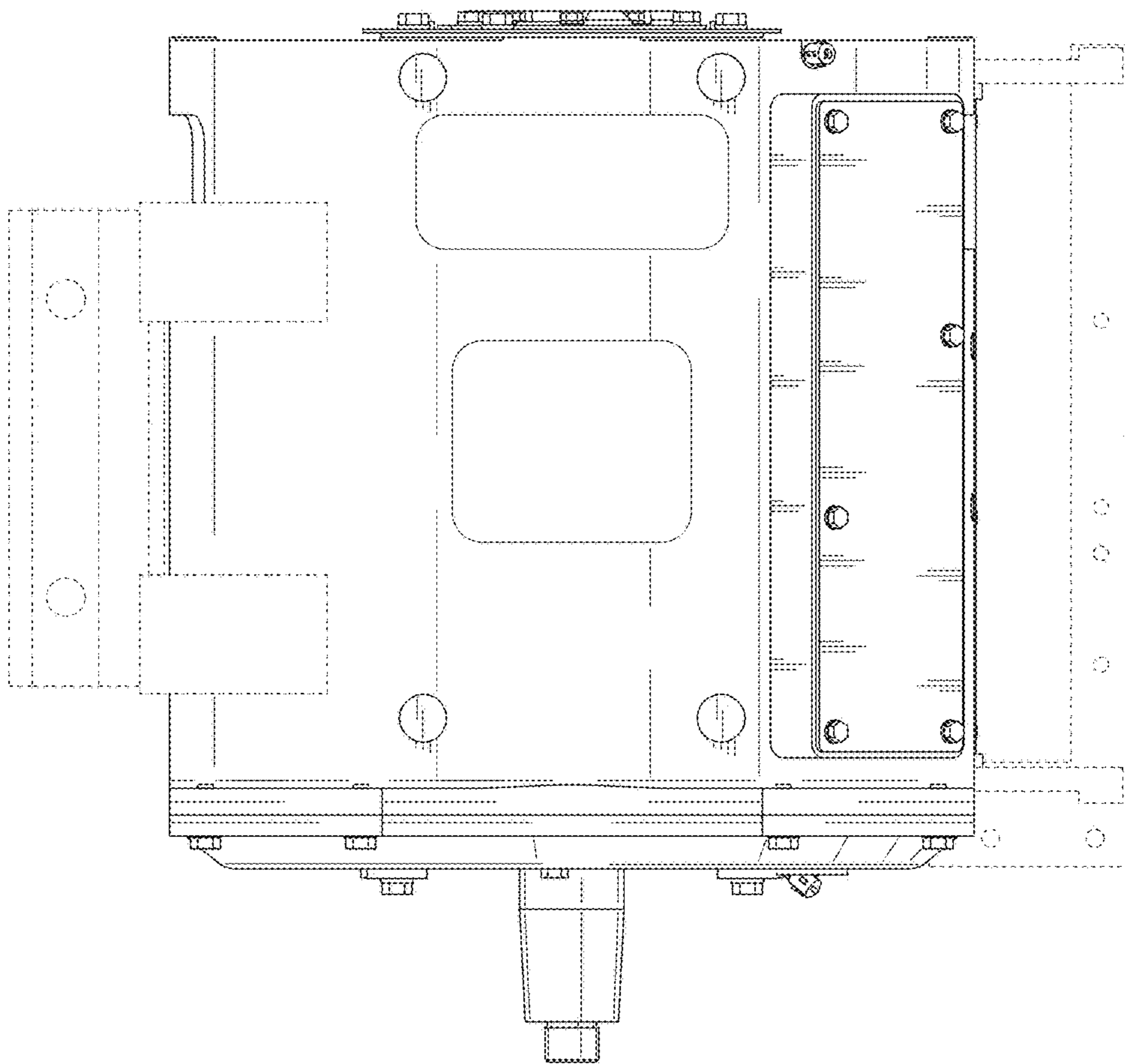


Fig. 7

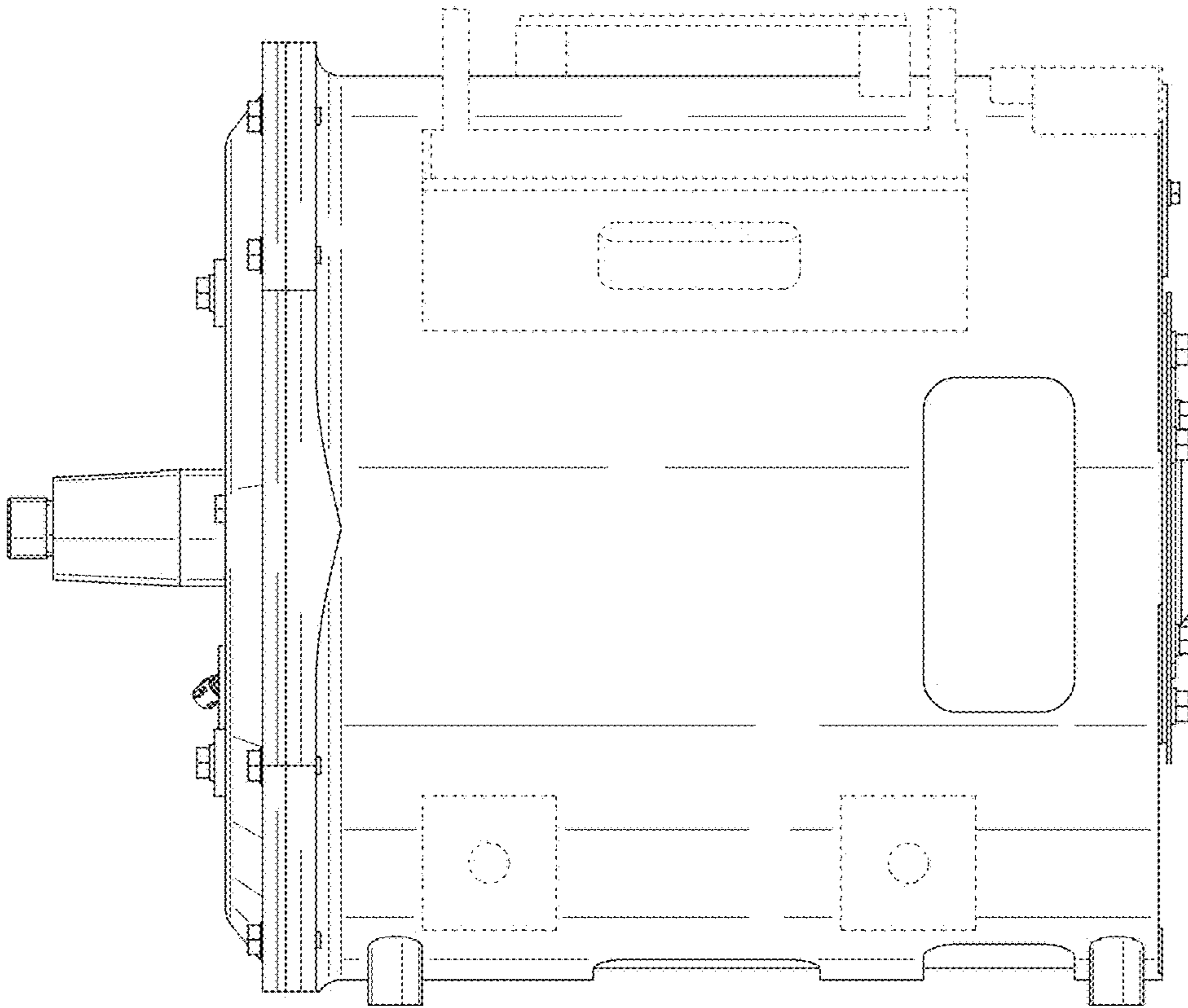


Fig. 8

