



US00D836549S

(12) **United States Design Patent** (10) **Patent No.:** **US D836,549 S**  
**Kim** (45) **Date of Patent:** **\*\* Dec. 25, 2018**

(54) **CHARGER COVER**

(71) Applicant: **Sang Ho Kim**, Gumi-si (KR)

(72) Inventor: **Sang Ho Kim**, Gumi-si (KR)

(\*\*) Term: **15 Years**

(21) Appl. No.: **29/547,203**

(22) Filed: **Dec. 1, 2015**

(51) **LOC (11) Cl.** ..... **13-02**

(52) **U.S. Cl.**  
USPC ..... **D13/110**

(58) **Field of Classification Search**

USPC ..... D13/110, 108, 118, 123, 162, 168, 169,  
D13/174, 177, 184, 199; D14/257, 432,  
D14/438; 174/16.3, 17 R, 17.08;  
361/600, 601, 690, 694, 695, 679.01,  
361/679.61, 704, 730; 363/141, 142  
CPC ..... H05K 5/00; H05K 5/02; H05K 5/0247;  
H05K 7/00; H05K 7/20; H05K 7/20136;  
H05K 7/20154; H05K 7/209; H05K  
7/1478; H02M 7/00; H02M 7/003; H02M  
2001/009; H02J 7/0042; Y10T 307/367;  
G05B 19/042  
See application file for complete search history.

(56) **References Cited**

U.S. PATENT DOCUMENTS

5,170,336 A \* 12/1992 Getter ..... H02M 7/003  
361/697  
D413,567 S \* 9/1999 Person ..... D13/110

D455,122 S \* 4/2002 Bentz ..... D13/133  
D615,033 S \* 5/2010 Baker ..... D13/107  
D618,169 S \* 6/2010 Ho ..... D13/110  
D627,725 S \* 11/2010 Gebert ..... D13/110  
D675,982 S \* 2/2013 Kuhn ..... D13/110  
D737,764 S \* 9/2015 Janos ..... D13/110

**OTHER PUBLICATIONS**

Korean specification and its corresponding English translation for Korean Design Application No. 30-2015-0033865 filed on Jul. 6, 2015.

\* cited by examiner

*Primary Examiner* — Derrick E Holland  
(74) *Attorney, Agent, or Firm* — Antonio Ha & U.S. Patent, LLC

(57) **CLAIM**

The ornamental design for a charger cover, as shown and described.

**DESCRIPTION**

FIG. 1 is a perspective view of a charger cover showing my new design;  
FIG. 2 is a front elevation view thereof;  
FIG. 3 is a rear elevation view thereof;  
FIG. 4 is a left side elevation view thereof;  
FIG. 5 is a right side elevation view thereof;  
FIG. 6 is a top plan view thereof; and,  
FIG. 7 is a bottom plan view thereof.

**1 Claim, 7 Drawing Sheets**

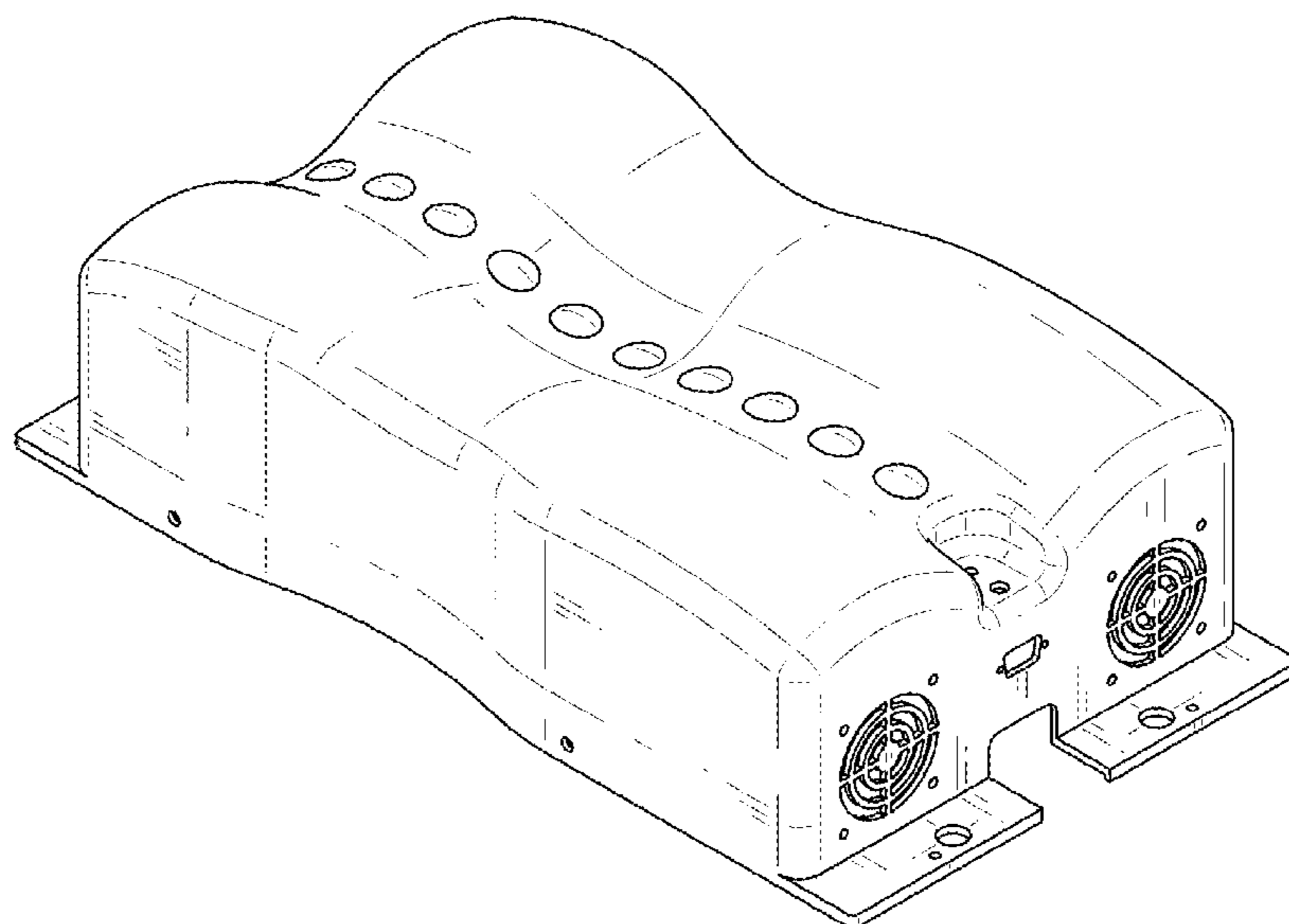


Fig. 1

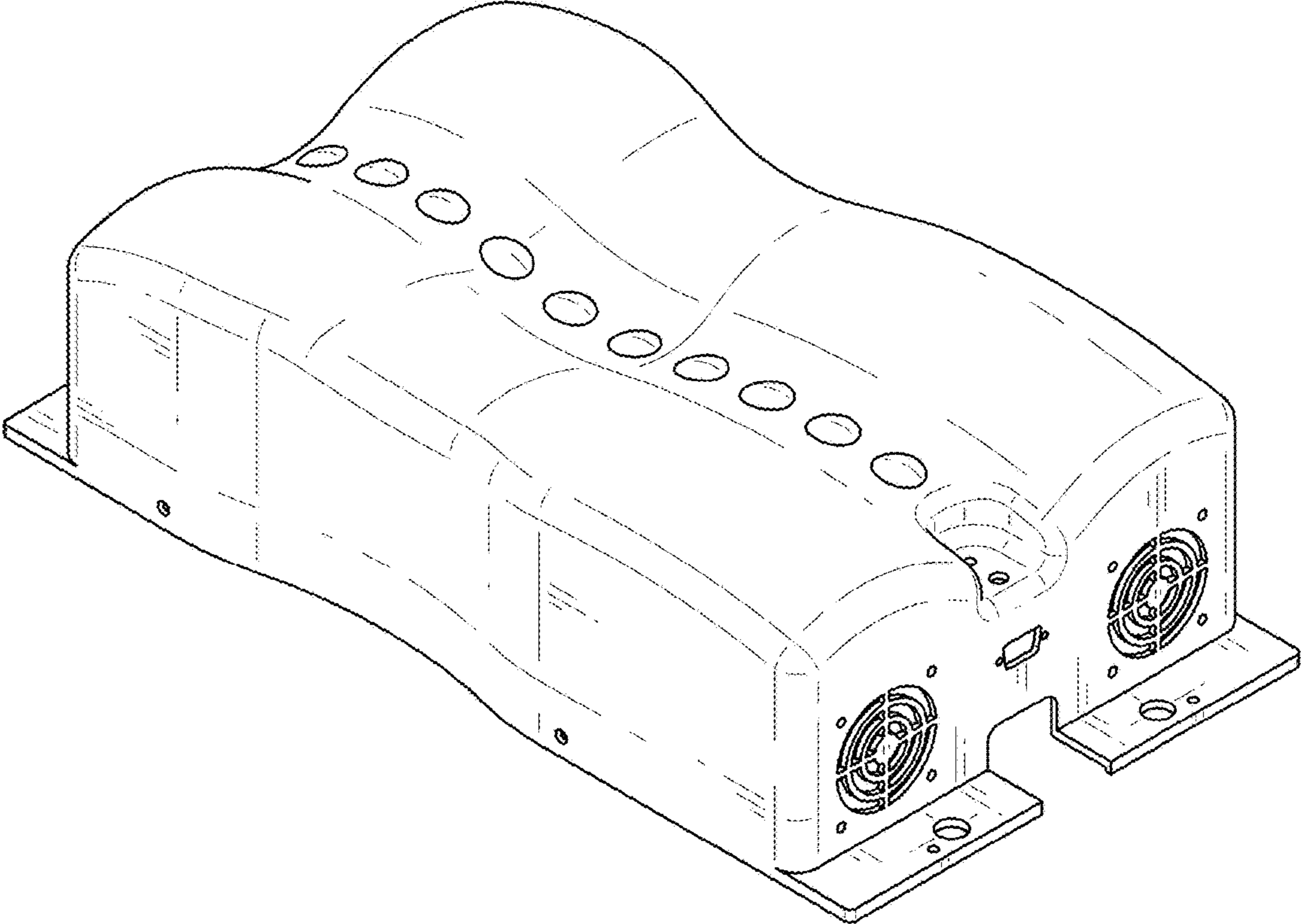


Fig. 2

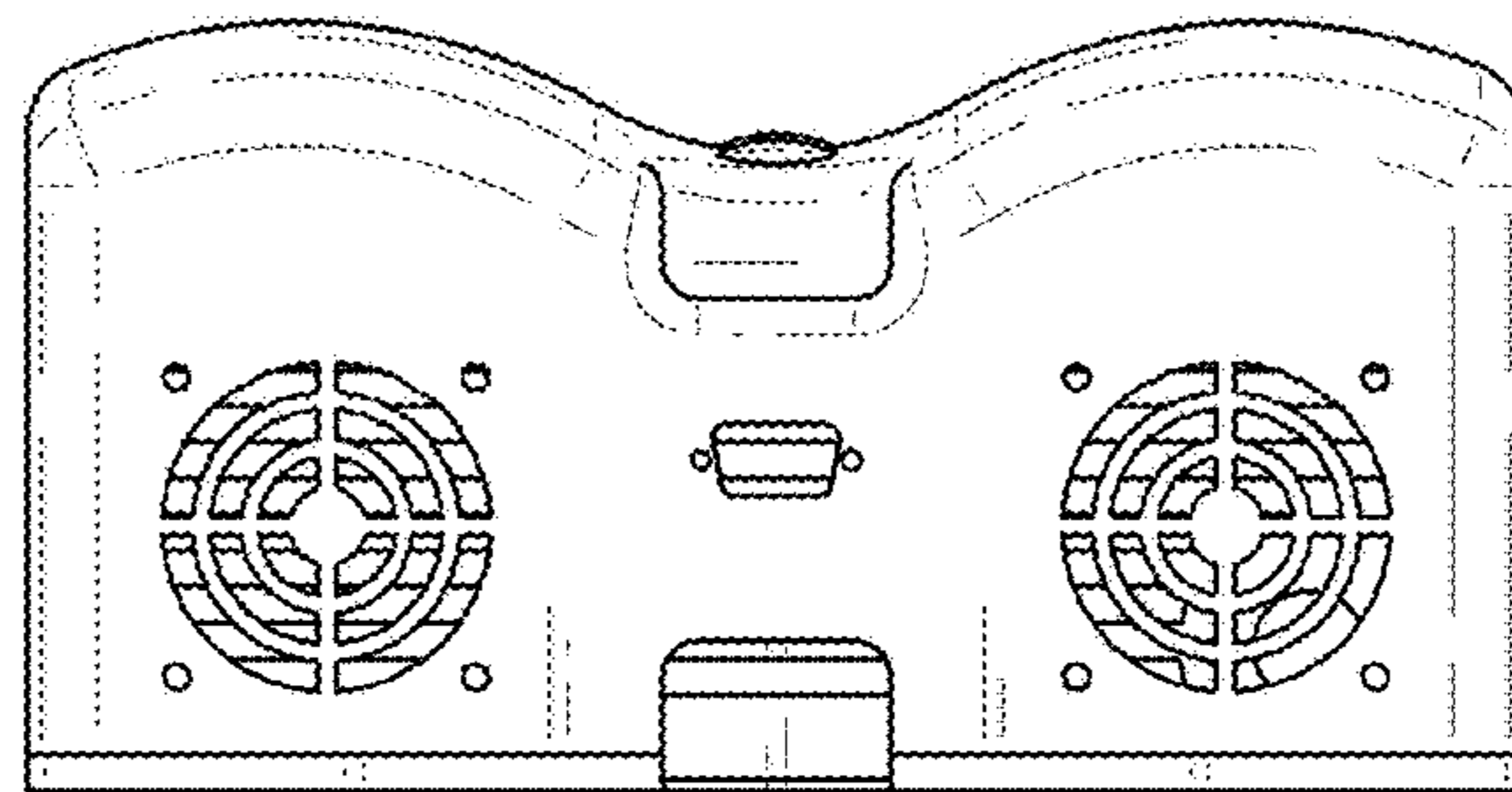


Fig. 3

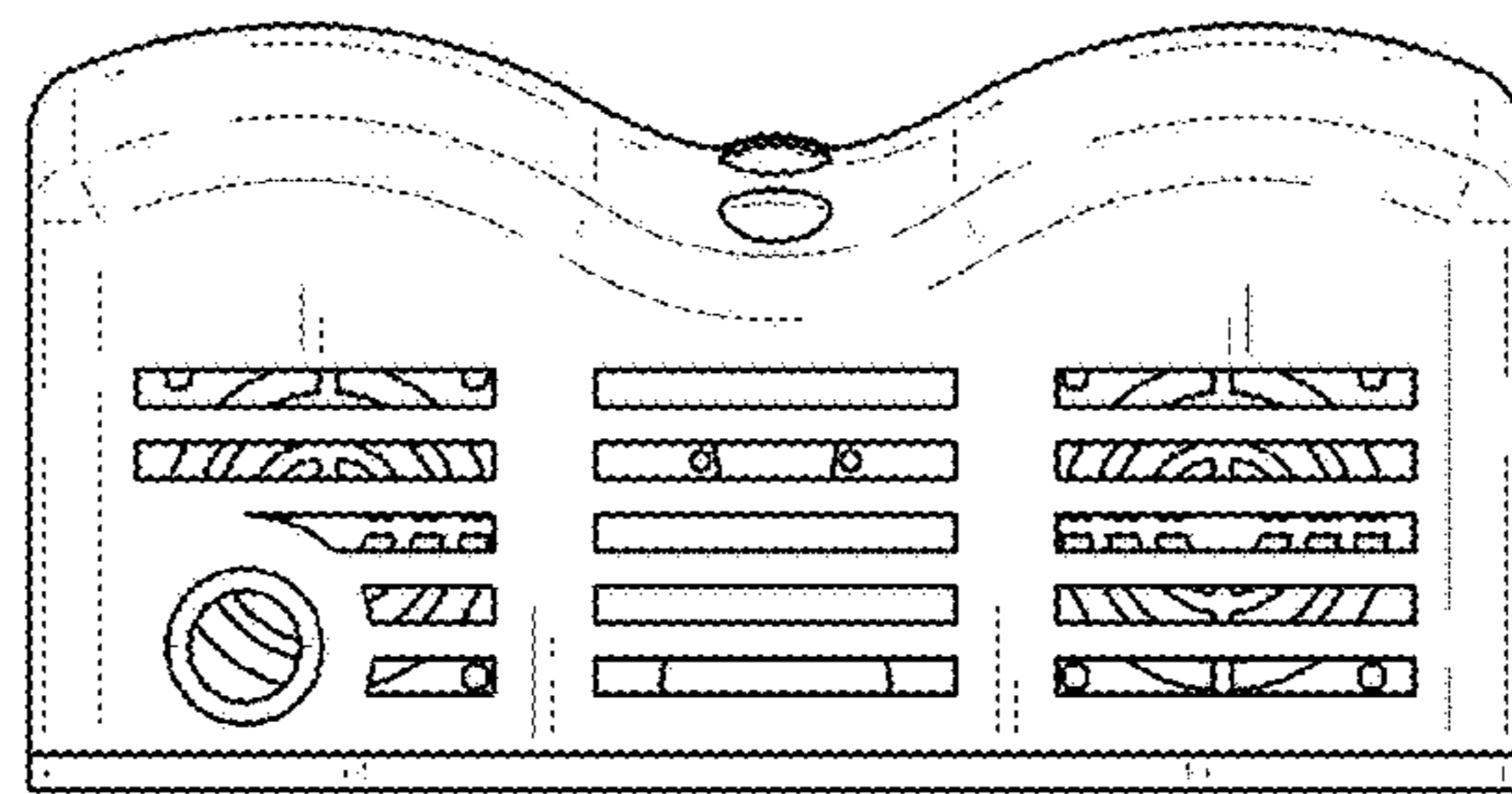


Fig. 4

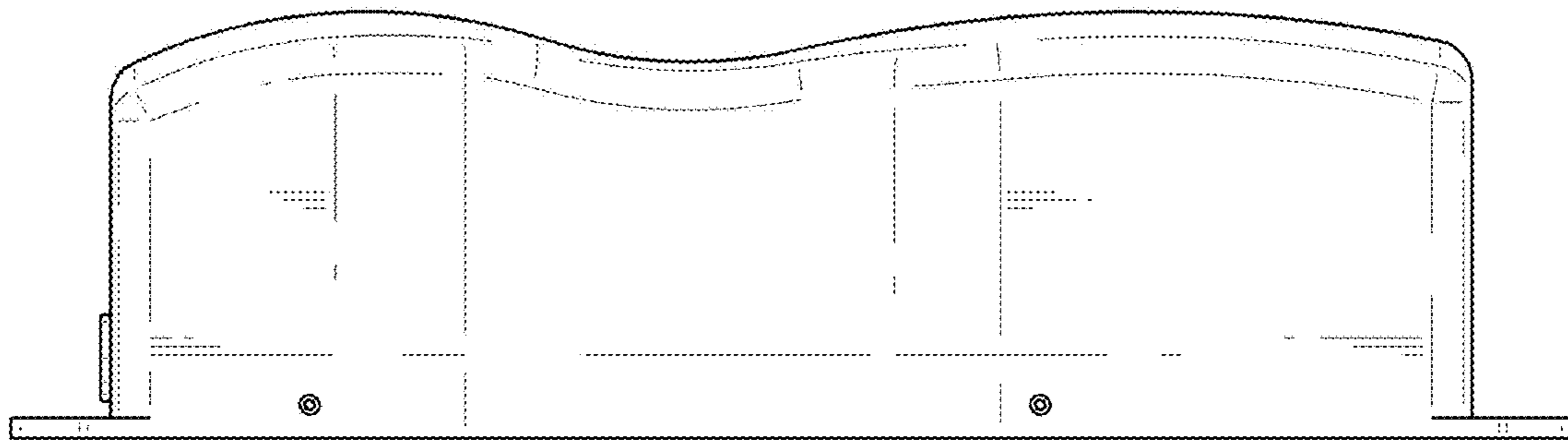


Fig. 5

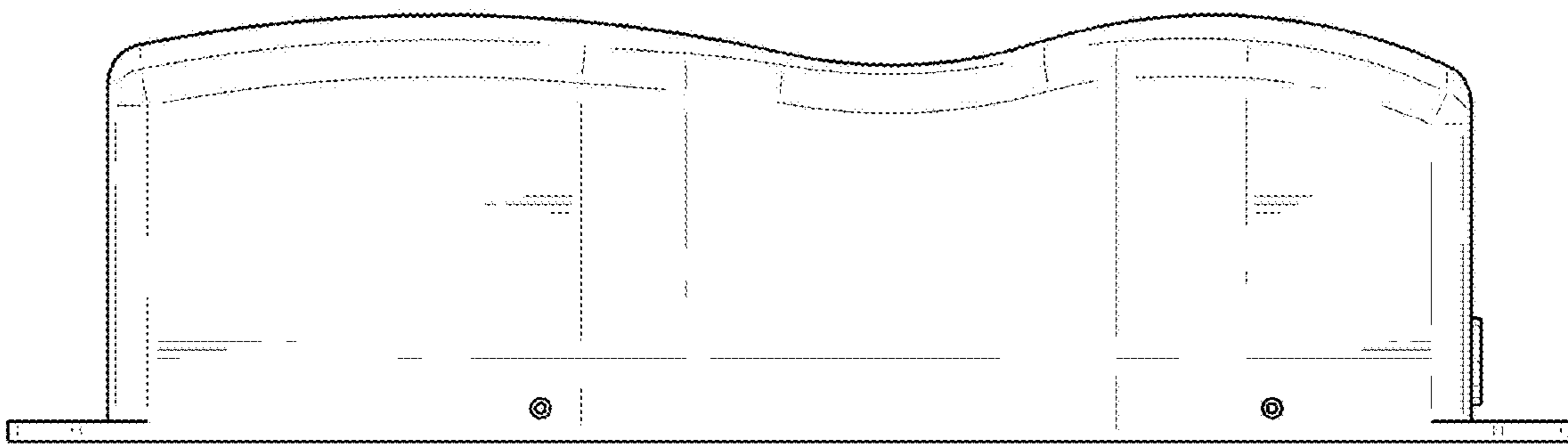


Fig. 6

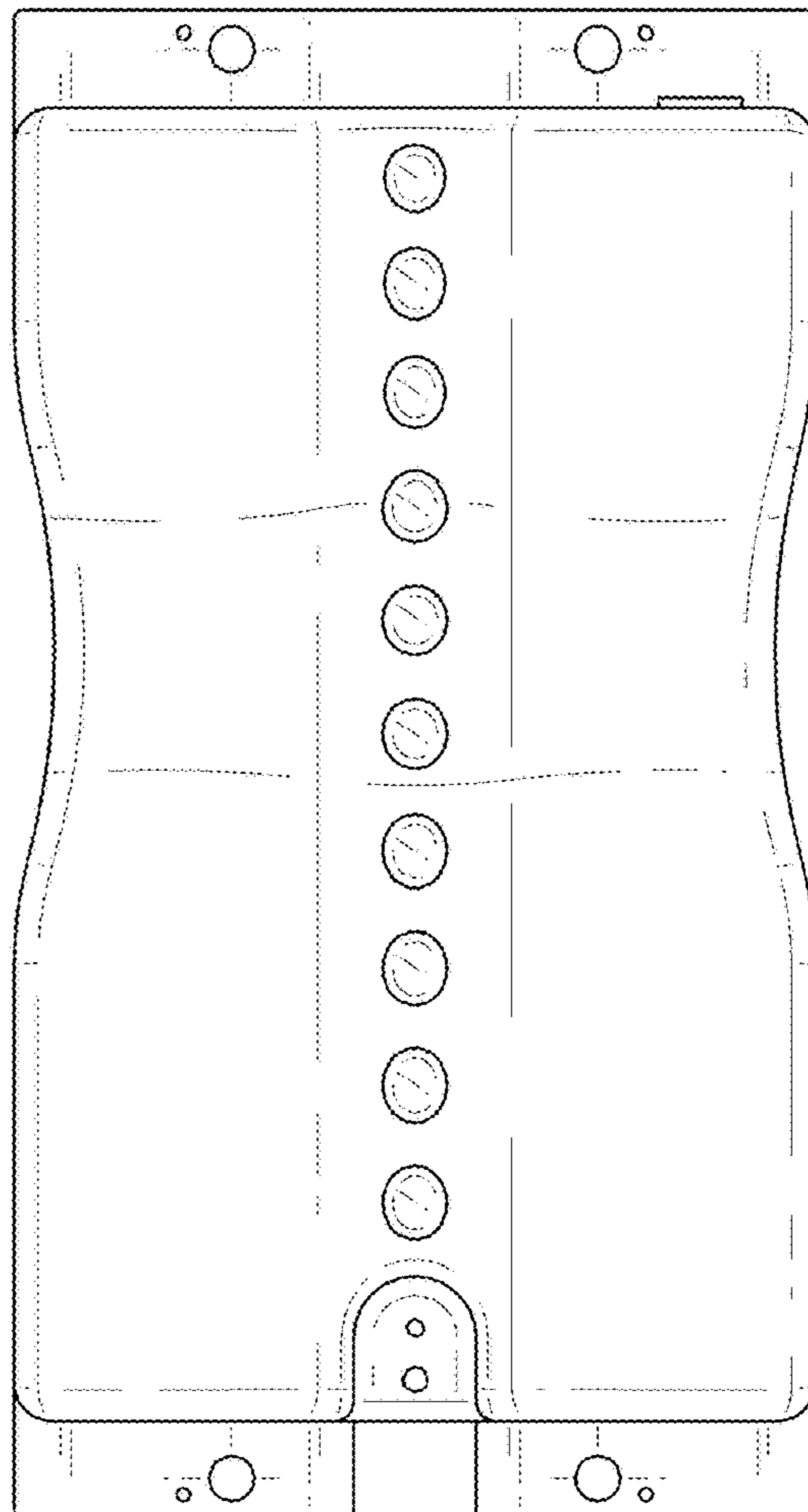


Fig. 7

