



US00D836548S

(12) **United States Design Patent** (10) **Patent No.:** **US D836,548 S**  
**Jauhonen et al.** (45) **Date of Patent:** **\*\* Dec. 25, 2018**

(54) **INVERTER MODULE** 6,360,814 B1 \* 3/2002 Tanaka ..... F28D 15/0266  
 165/104.21  
 (71) Applicant: **ABB Oy**, Helsinki (FI) D510,320 S \* 10/2005 Tuomola ..... D13/110  
 7,480,140 B2 \* 1/2009 Hara ..... H05K 7/20145  
 312/223.2  
 (72) Inventors: **Roman Jauhonen**, Helsinki (FI);  
**Raimo Heine**, Helsinki (FI); **Tero**  
**Viitanen**, Vantaa (FI) D641,697 S \* 7/2011 Charlson ..... D13/110  
 D684,534 S \* 6/2013 Nakahira ..... D13/110  
 D693,766 S \* 11/2013 Hirotoomi ..... D13/110  
 D705,728 S \* 5/2014 Choi ..... D13/110  
 9,113,578 B2 \* 8/2015 Cottet ..... H05K 7/20672  
 9,612,633 B2 \* 4/2017 Stavi ..... G06F 1/20  
 D806,646 S \* 1/2018 DeKeuster ..... D13/103  
 2004/0228093 A1 \* 11/2004 Lee ..... G06F 1/181  
 361/701

(\*\*) Term: **15 Years**  
 (21) Appl. No.: **29/545,479**  
 (22) Filed: **Nov. 13, 2015**

(30) **Foreign Application Priority Data**  
 May 13, 2015 (EM) ..... 002699900  
 (51) **LOC (11) Cl.** ..... **13-02**  
 (52) **U.S. Cl.**  
 USPC ..... **D13/110**  
 (58) **Field of Classification Search**  
 USPC ..... 123/2, 3; 290/1 A, 1 B, 1 R; 310/89;  
 322/100; 361/730, 836; D13/101,  
 D13/110-116, 118, 122, 184, 199;  
 D23/111, 351, 395  
 CPC ..... H01L 23/427; G06F 1/20; H02K 35/02  
 See application file for complete search history.

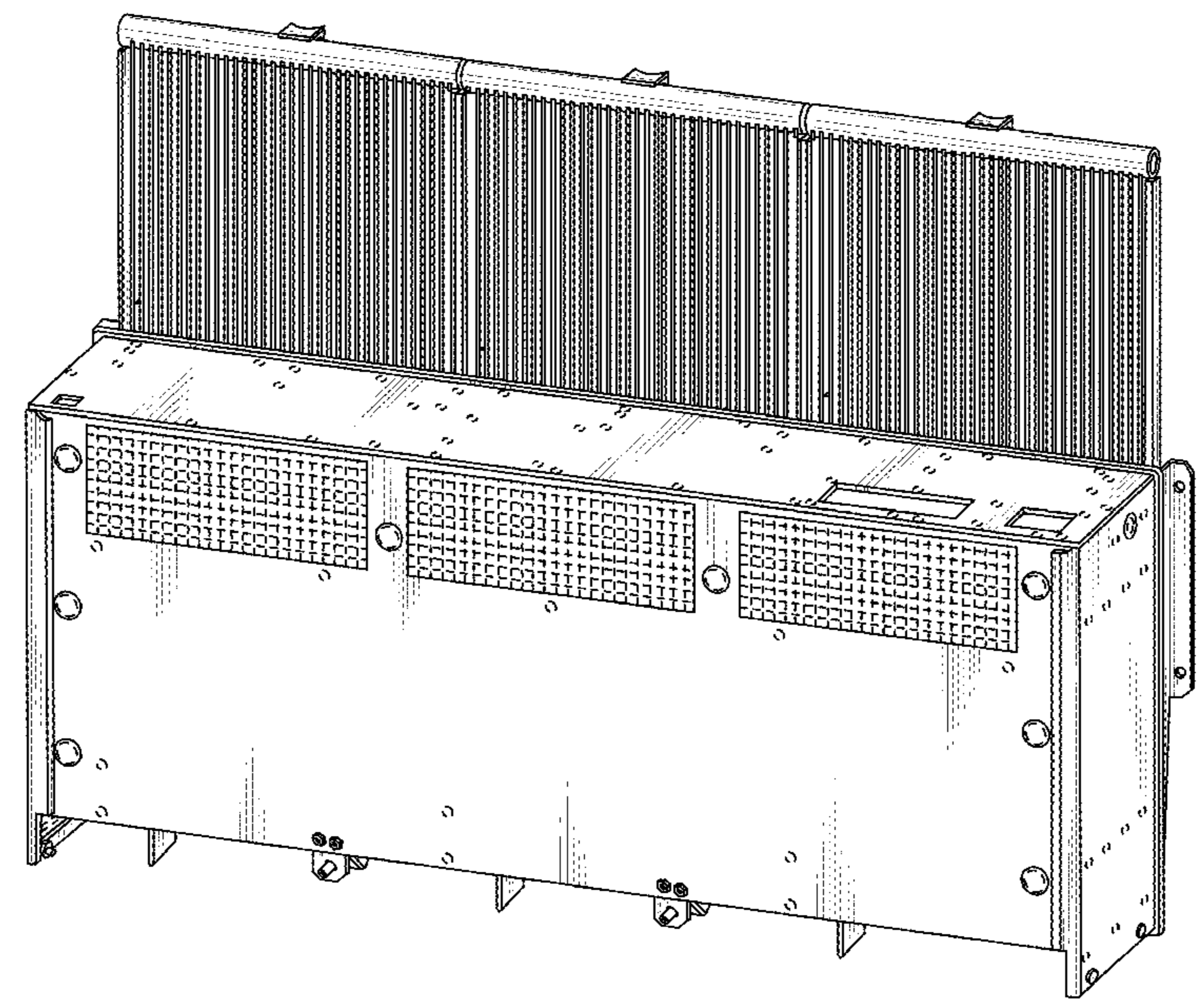
(56) **References Cited**  
 U.S. PATENT DOCUMENTS  
 D80,763 S \* 3/1930 Betz ..... D23/351  
 3,033,440 A \* 5/1962 Ruppright ..... H01L 23/427  
 165/80.4  
 D372,017 S \* 7/1996 Suematsu ..... D13/110  
 5,606,341 A \* 2/1997 Aguilera ..... F28D 15/0266  
 345/87

\* cited by examiner  
*Primary Examiner* — Derrick E Holland  
*Assistant Examiner* — Jennifer O King  
 (74) *Attorney, Agent, or Firm* — Whitmyer IP Group LLC

(57) **CLAIM**  
 The ornamental design for an inverter module, as shown and described.

**DESCRIPTION**  
 FIG. 1 is a front left side isometric view of an inverter module in accordance with the new design;  
 FIG. 2 is a front elevational view thereof;  
 FIG. 3 is a rear elevational view thereof;  
 FIG. 4 is a top plan view thereof;  
 FIG. 5 is a bottom plan view thereof; and,  
 FIG. 6 is a right side elevational view thereof, the left side elevational view being a mirror image of the right side elevational view.  
 The broken lines shown represent portions of the inverter module that form no part of the claimed design.

**1 Claim, 6 Drawing Sheets**



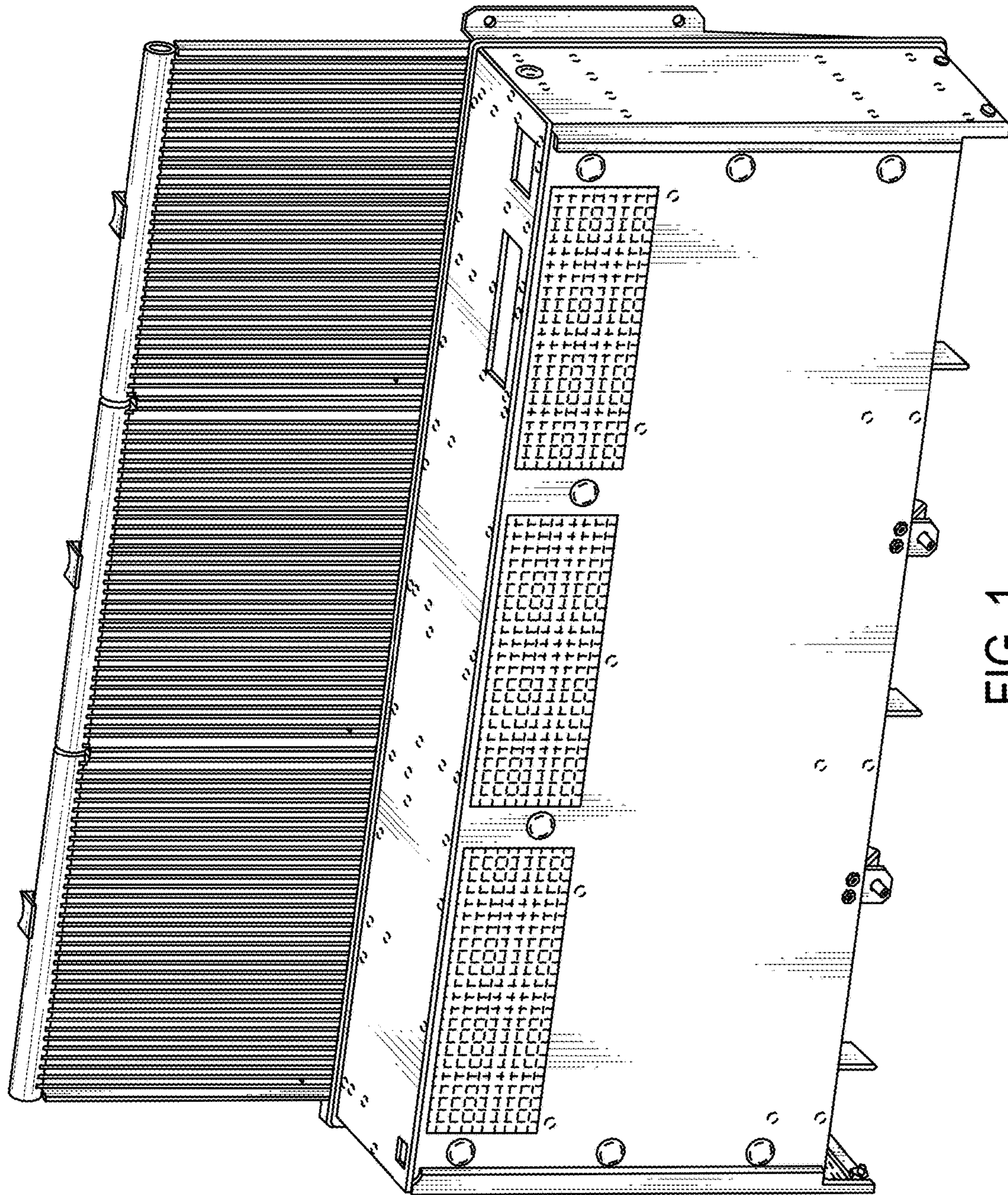


FIG. 1

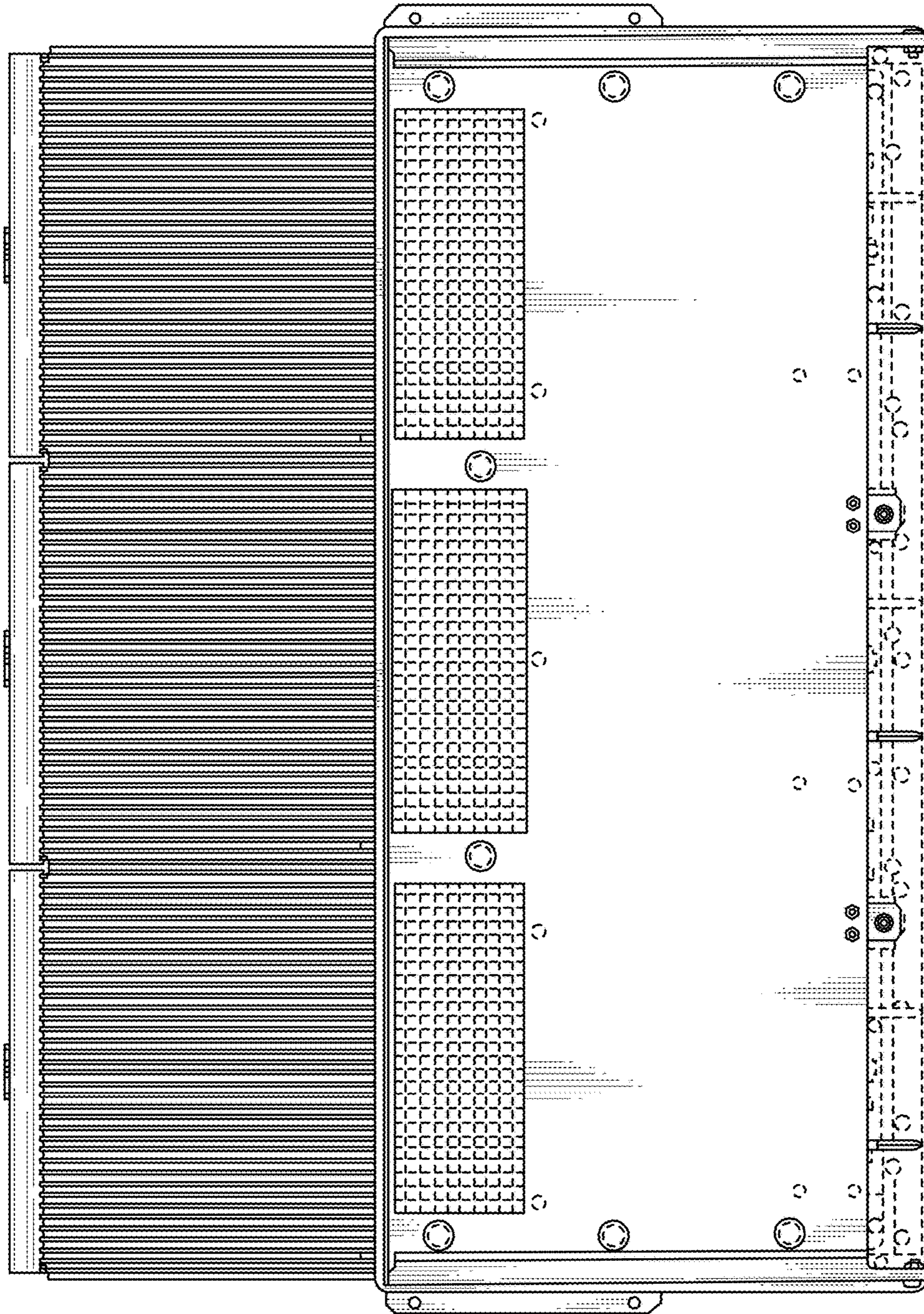


FIG. 2

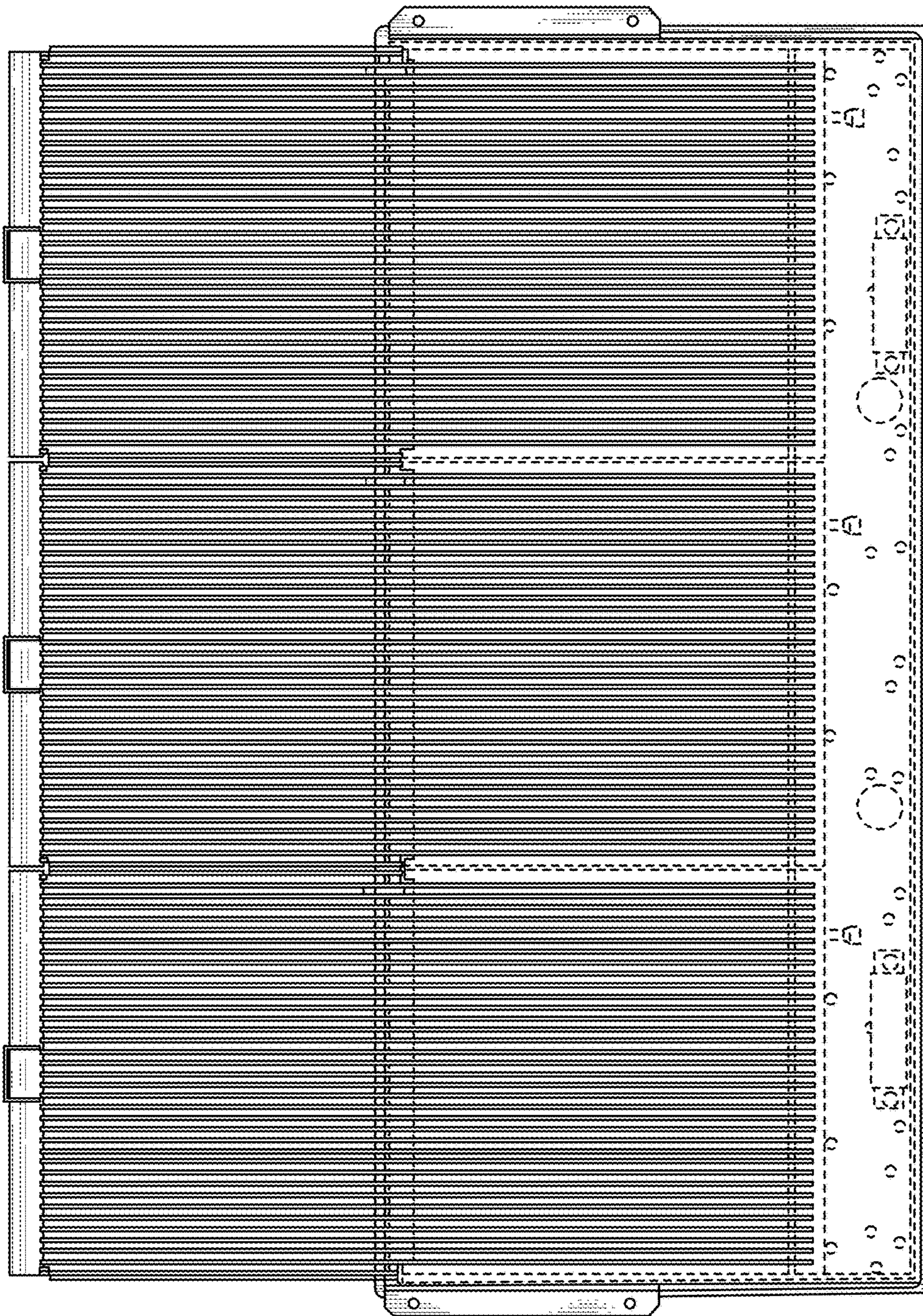


FIG. 3

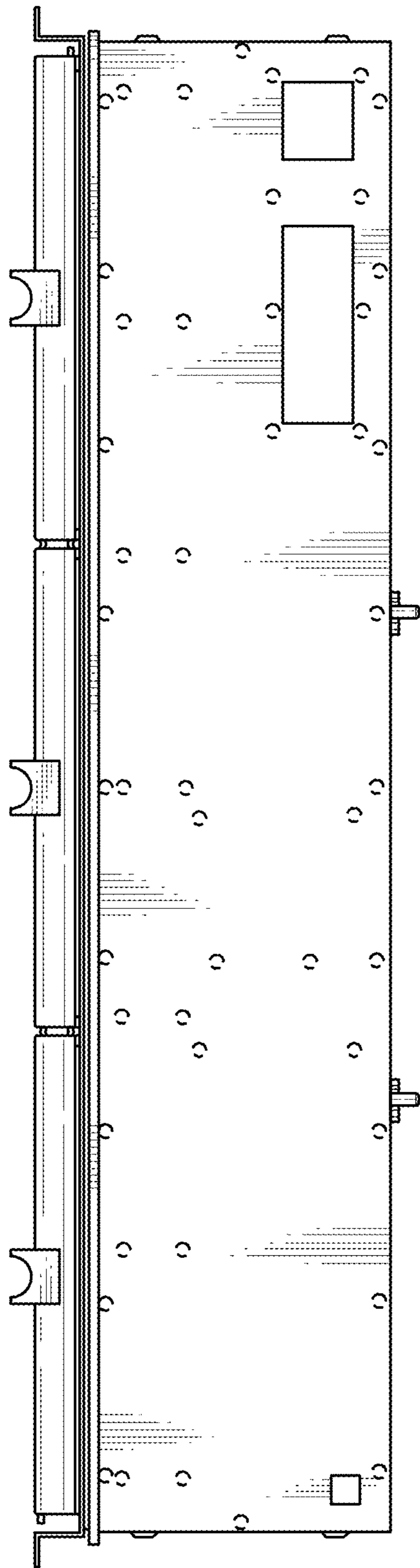


FIG. 4

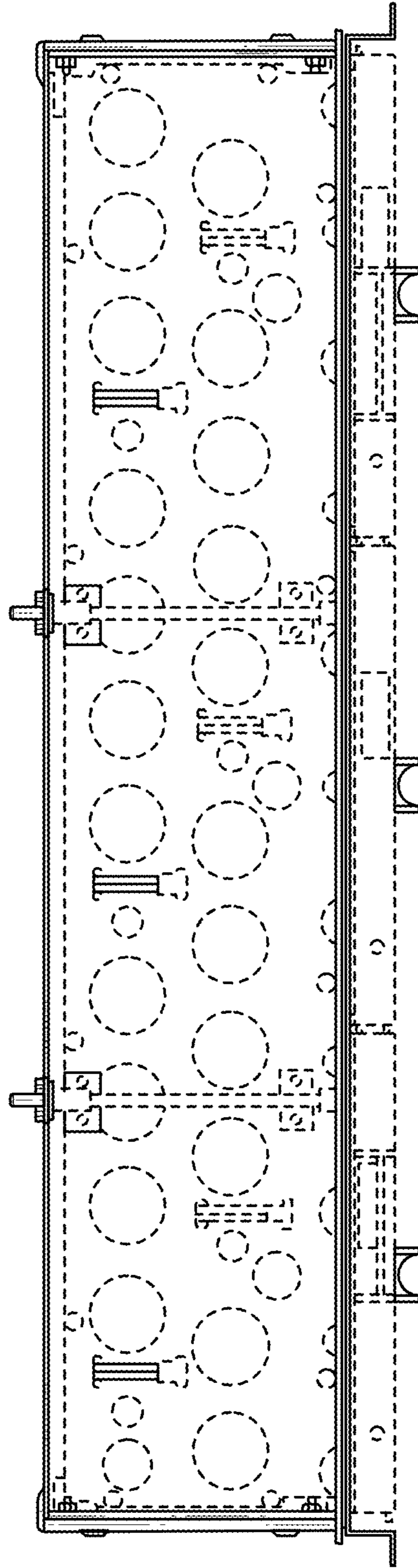


FIG. 5

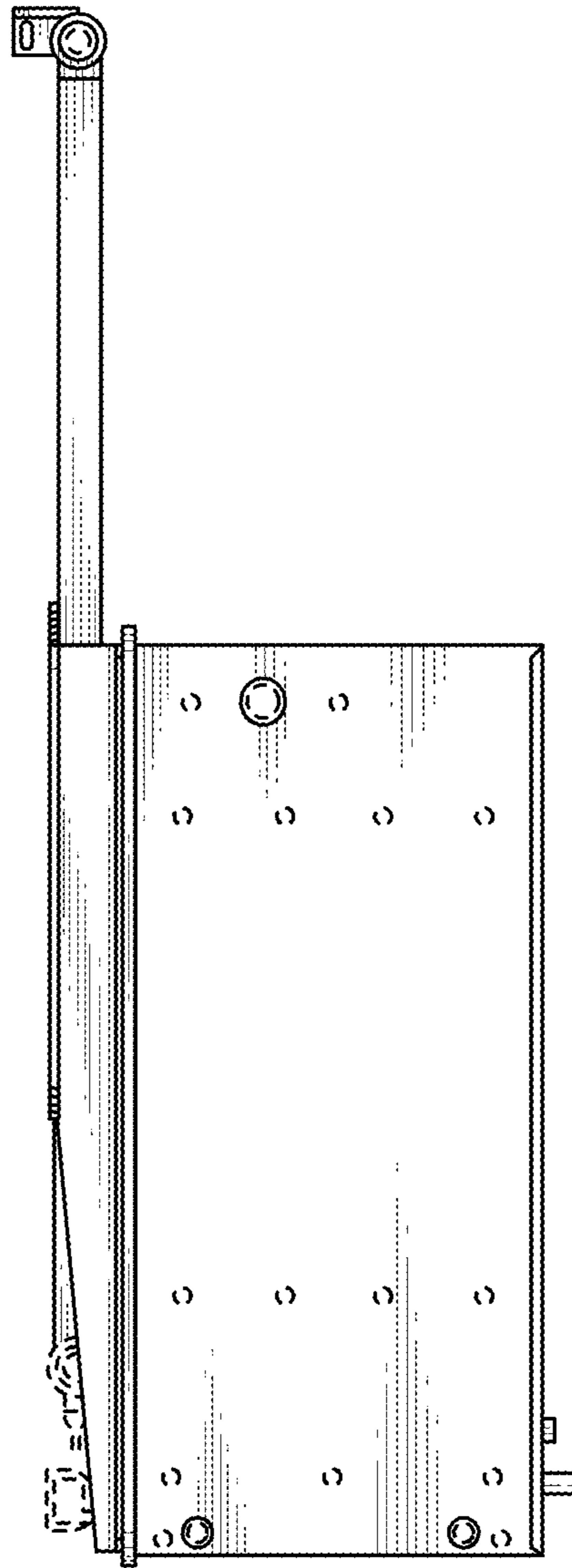


FIG. 6