



US00D836543S

(12) **United States Design Patent** (10) **Patent No.:** **US D836,543 S**
Sun et al. (45) **Date of Patent:** **** Dec. 25, 2018**

(54) **PORTABLE POWER SOURCE**
(71) Applicant: **SHENZHEN HELLO TECH ENERGY CO., LTD.**, Shenzhen (CN)
(72) Inventors: **Zhongwei Sun**, Shenzhen (CN); **Wei Bai**, Shenzhen (CN)
(73) Assignee: **SHENZHEN HELLO TECH ENERGY CO., LTD.**, Shenzhen (CN)
(**) Term: **15 Years**
(21) Appl. No.: **29/602,596**
(22) Filed: **May 2, 2017**

D667,788 S * 9/2012 Mai D13/110
D697,867 S * 1/2014 Weinstein D13/108
D709,823 S * 7/2014 Corley D13/103
D712,830 S * 9/2014 Zhou D13/110
D720,687 S * 1/2015 Hasbrook D13/103
D727,257 S * 4/2015 Miller D13/103

(Continued)

(30) **Foreign Application Priority Data**

Jan. 13, 2017 (CN) 2017 3 0014140

(51) **LOC (11) Cl.** **13-02**

(52) **U.S. Cl.**
USPC **D13/108**; D13/103

(58) **Field of Classification Search**
USPC D13/102–110, 118–119, 184, 199;
D14/356, 432

CPC Y02E 60/10; Y02E 60/12; Y02E 60/122;
Y02E 60/124; Y02E 60/50; H01M 2/02;
H01M 2/022; H01M 2/0202; H01M
2/0207; H01M 2/0212; H01M 2/1061;
H01M 2/1022; H01M 2/1055; H01M
2/1066; H01M 2/105; H01M 2/20; H01M
2/204; H01M 2/206; H01M 10/44; H01M
10/46; H01M 10/465; H01M 10/482;
H02J 7/00; H02J 7/0003; H02J 7/0011;
H02J 7/0013; H02J 7/0054; H02J 7/0055;
H02J 7/0057; H02J 2007/0062

See application file for complete search history.

(56) **References Cited**

U.S. PATENT DOCUMENTS

D617,268 S * 6/2010 Yen D13/108
D628,535 S * 12/2010 Cheng D13/108

OTHER PUBLICATIONS

Jackery Bolt. Amazon.com. [Online][Published Apr. 19, 2016][Accessed Mar. 2, 2018] <URL:https://www.amazon.com/Jackery-Bolt-Portable-Charger-Built/product-reviews/B01A6L85CC/ref=cm_cr_getr_d_paging_btm_104?ie=UTF8&reviewerType=all_reviews&sortBy=recent&pageNumber=104> (Year: 2016).*

Primary Examiner — Rosemary K Tarcza

Assistant Examiner — Nathaniel D. Buckner

(74) *Attorney, Agent, or Firm* — Ladas & Parry LLP

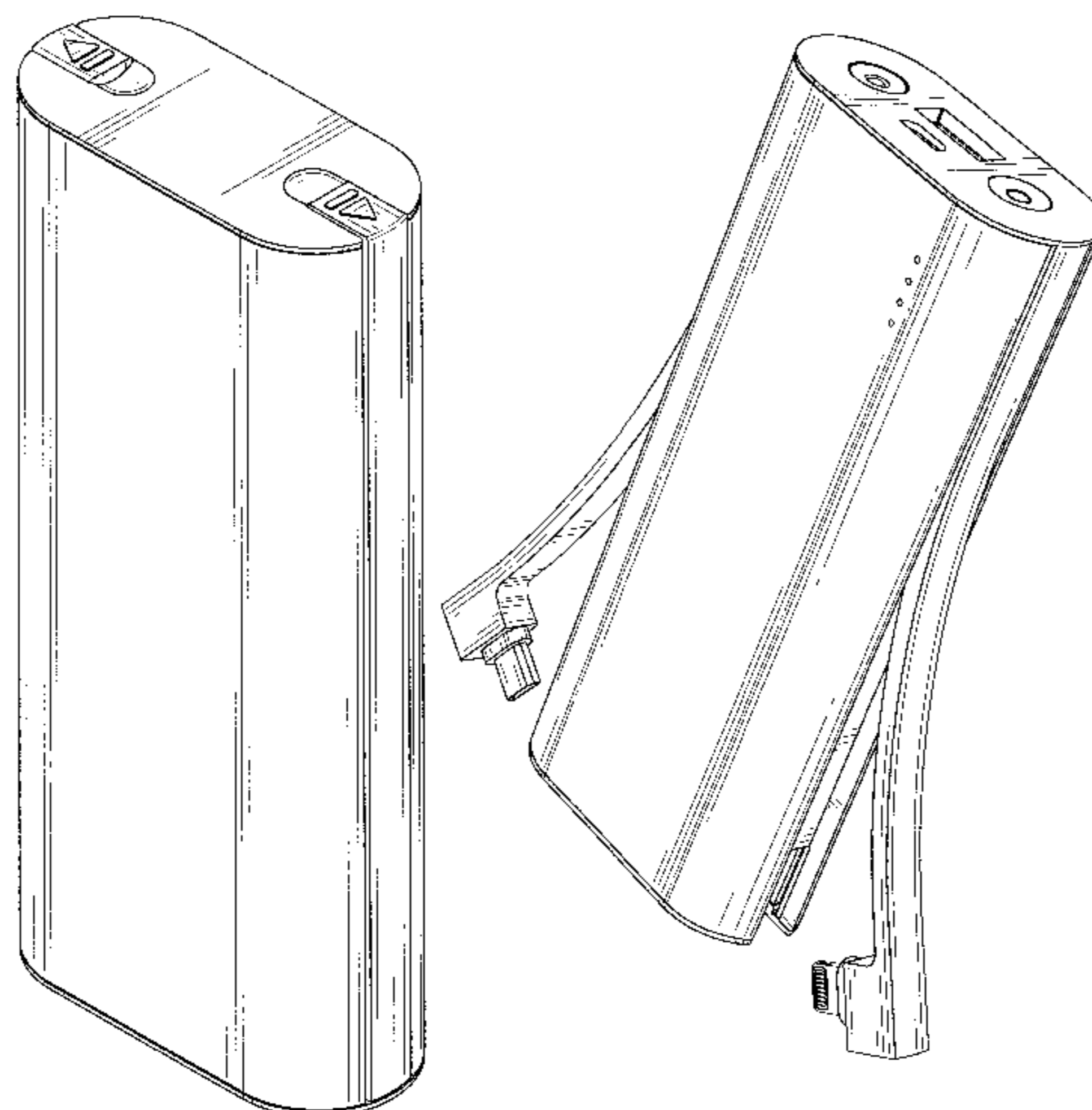
(57) **CLAIM**

The ornamental design for a portable power source, as shown and described.

DESCRIPTION

FIG. 1 is a front elevational view of a portable power source showing our new design;
FIG. 2 is a rear elevational view thereof;
FIG. 3 is a left-side elevational view thereof;
FIG. 4 is a right-side elevational view thereof;
FIG. 5 is a top plan view thereof;
FIG. 6 is a bottom plan view thereof;
FIG. 7 is a rear top, left perspective view thereof;
FIG. 8 is a front, bottom, left perspective view thereof;
FIG. 9 is a rear elevational view thereof showing the power source ready for use; and,
FIG. 10 is a front, bottom, left perspective view thereof showing the power source ready for use.
The broken lines in FIGS. 6, 8 and 10 depict features of the portable power source that form no part of the claimed design.

1 Claim, 10 Drawing Sheets



(56)

References Cited

U.S. PATENT DOCUMENTS

D727,846	S	*	4/2015	Wen	D13/110
D742,312	S	*	11/2015	Gupta	D13/103
D743,335	S	*	11/2015	Chang	D13/110
D745,456	S	*	12/2015	Fung	D13/108
D751,816	S	*	3/2016	Miller	D3/249
D764,404	S	*	8/2016	Lau	D13/103
D787,443	S	*	5/2017	Chiang	D13/110
D792,409	S	*	7/2017	Shim	D14/435
D797,663	S	*	9/2017	Miller	D13/107
D801,269	S	*	10/2017	Cho	D13/119
2015/0123620	A1	*	5/2015	Nowak	H02J 7/0036 320/137

* cited by examiner

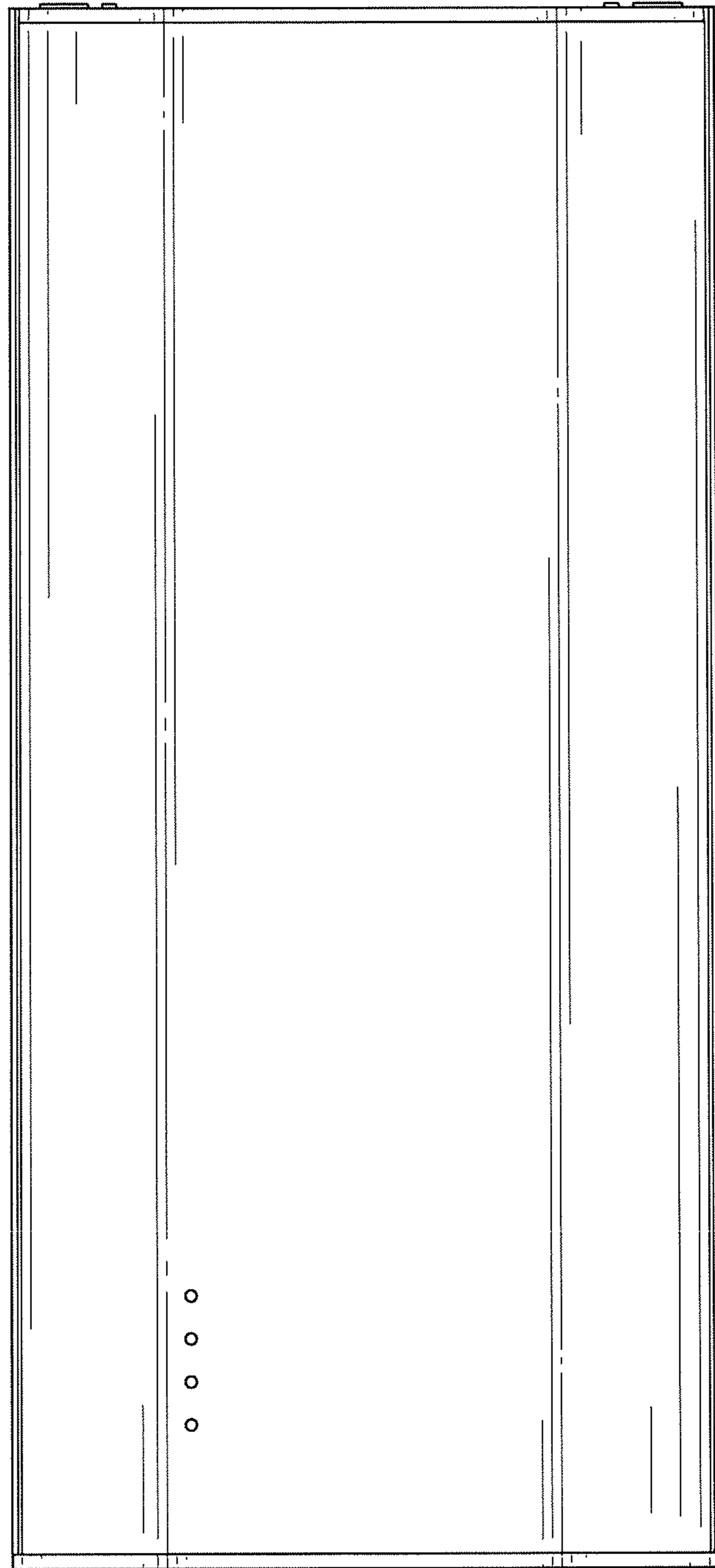


FIG. 1

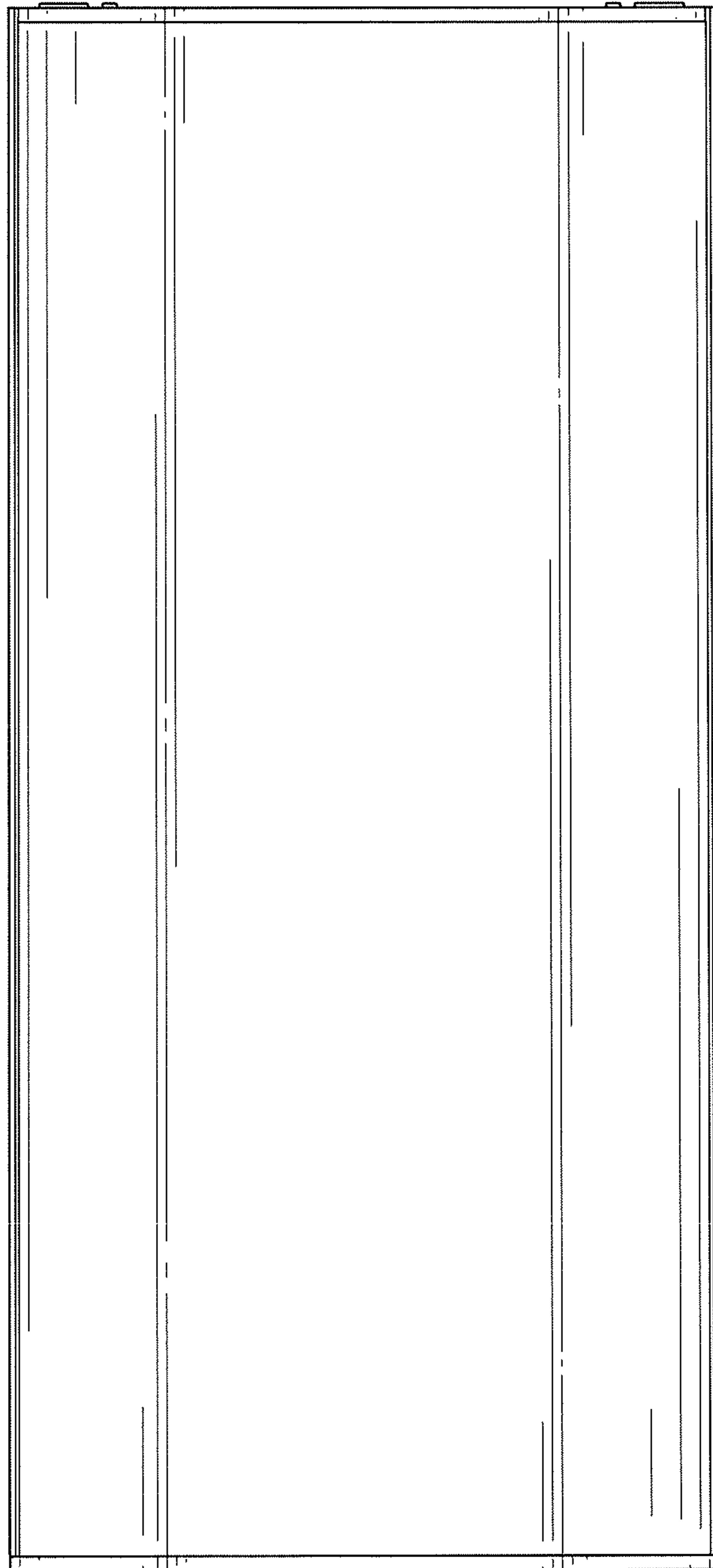


FIG. 2

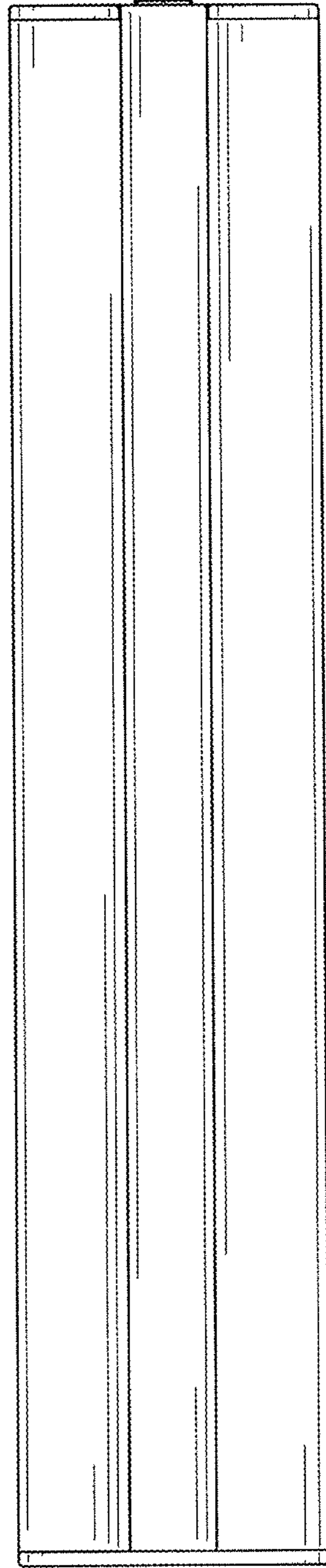


FIG. 3

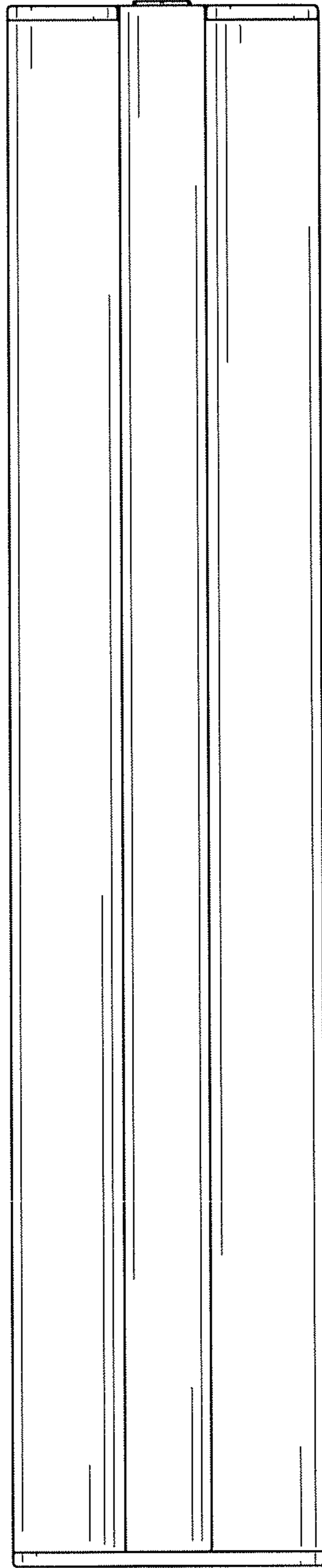


FIG. 4

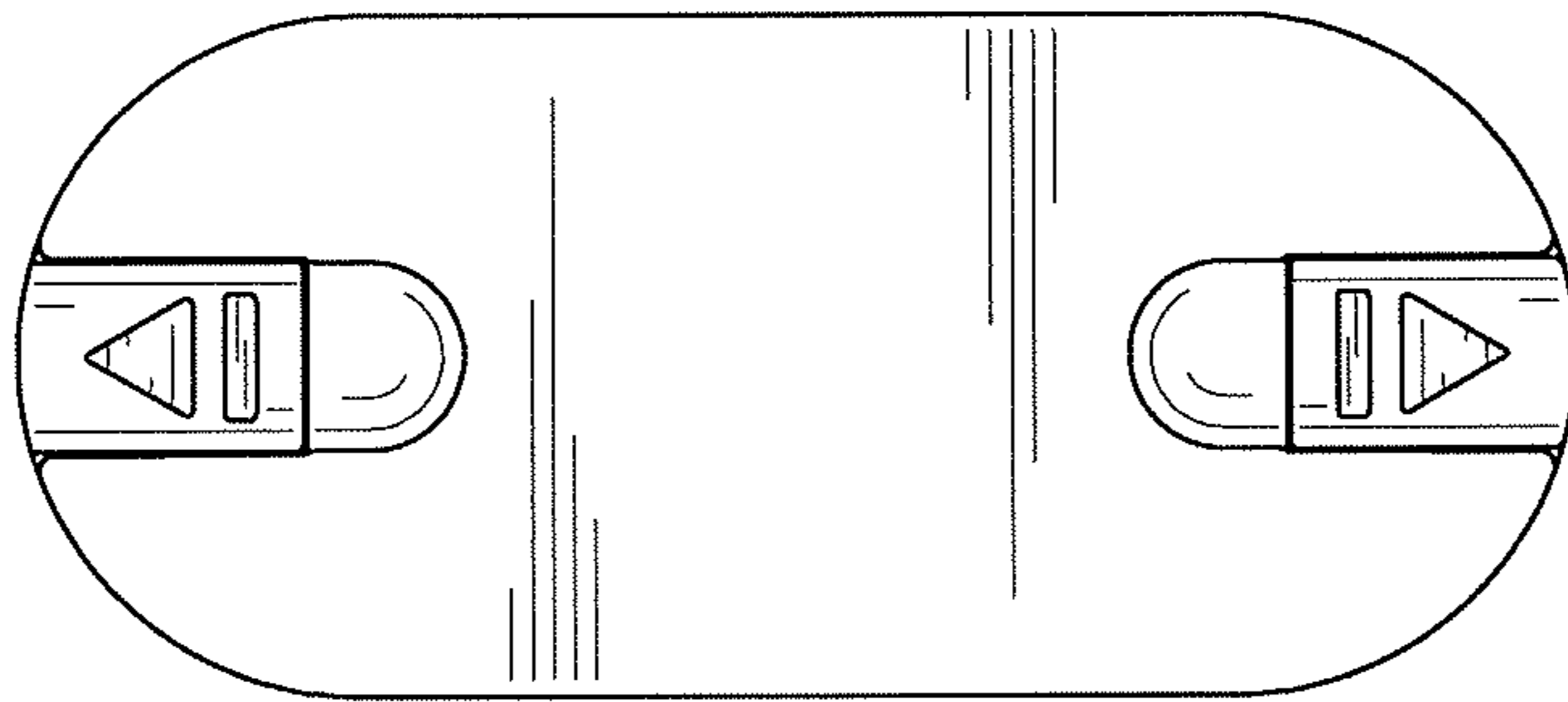


FIG. 5

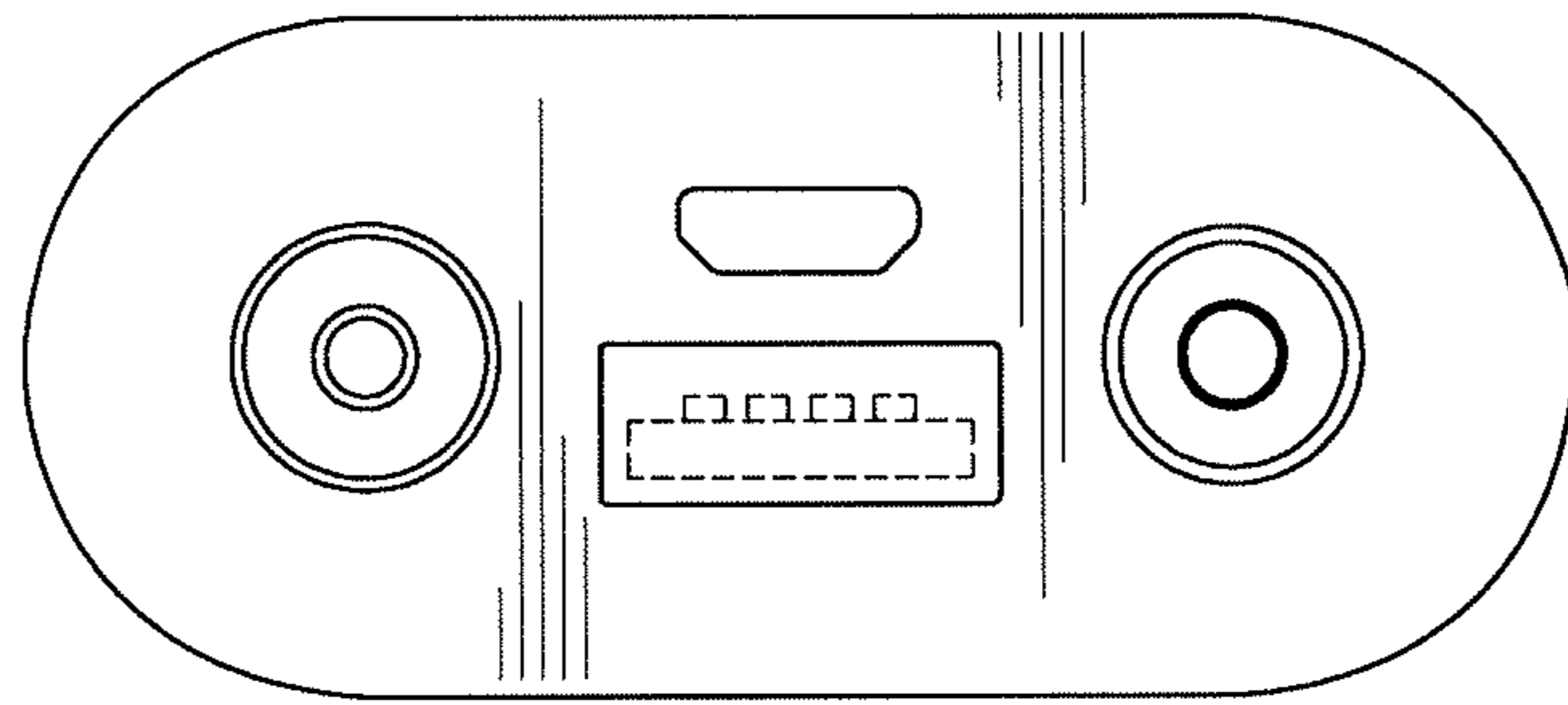


FIG. 6

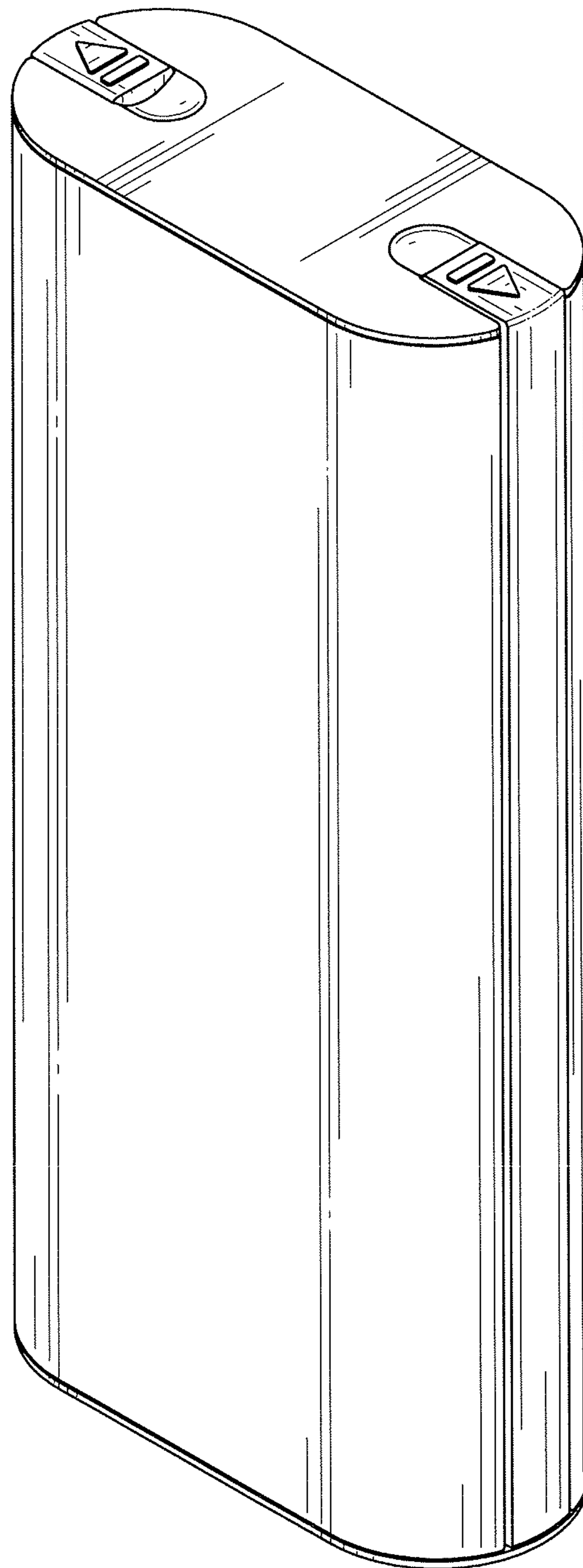


FIG. 7

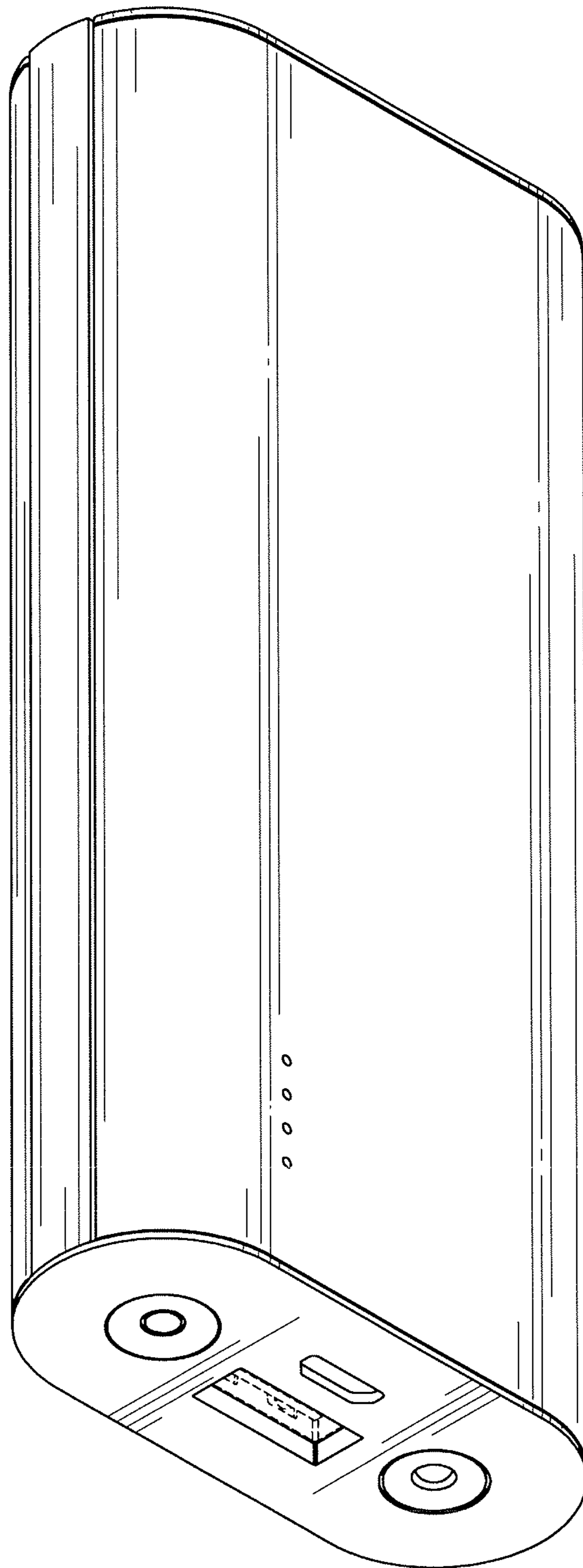


FIG. 8

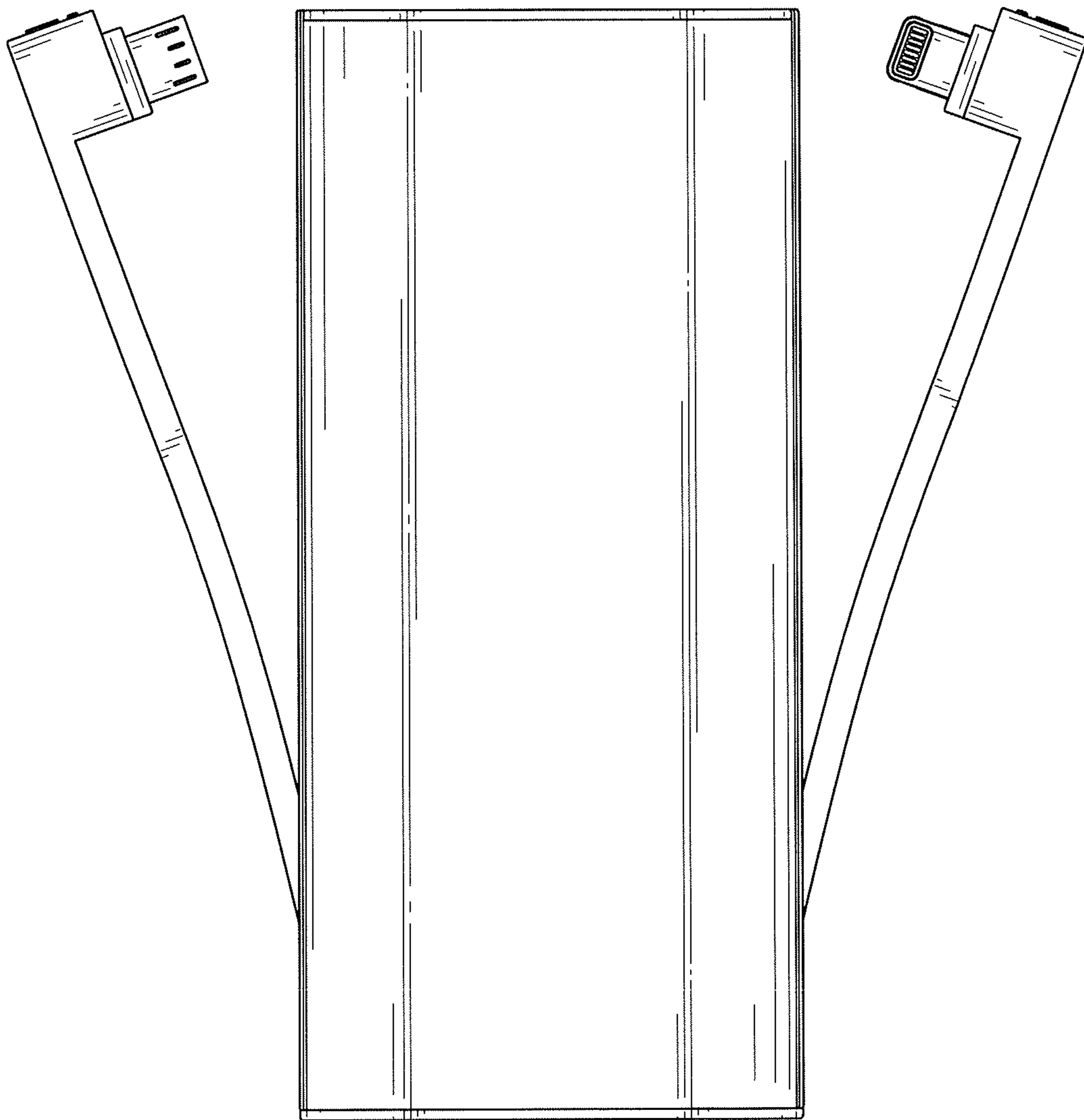


FIG. 9

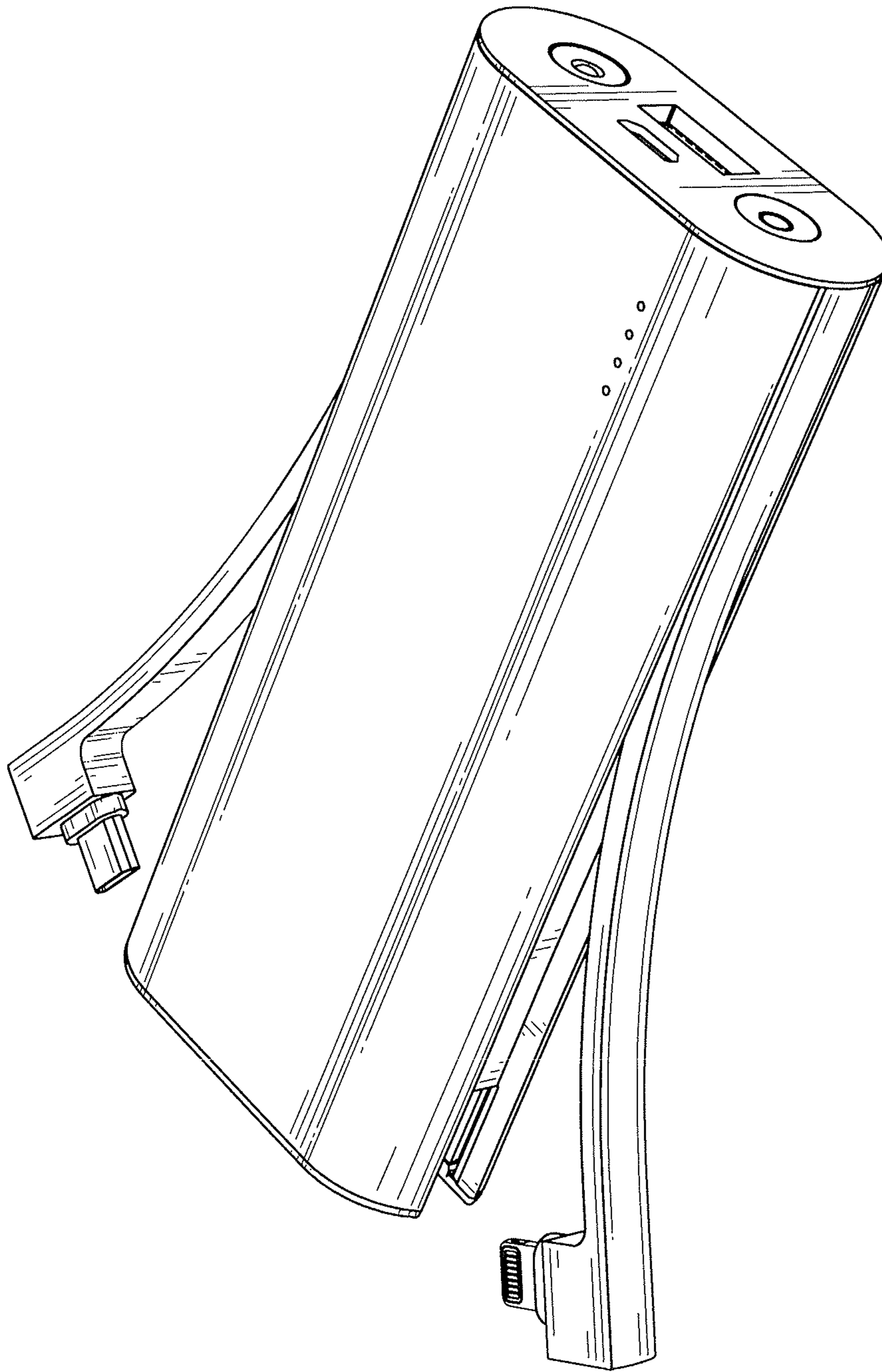


FIG. 10