



US00D836540S

(12) **United States Design Patent**
Franklin

(10) **Patent No.:** **US D836,540 S**

(45) **Date of Patent:** **** Dec. 25, 2018**

(54) **PHOTOVOLTAIC PANEL SUPPORT**

(71) Applicant: **LUMOS SOLAR, LLC**, Nederland,
CO (US)

(72) Inventor: **Scott Franklin**, Nederland, CO (US)

(73) Assignee: **LUMOS SOLAR, LLC**, Nederland,
CO (US)

(**) Term: **15 Years**

(21) Appl. No.: **29/627,782**

(22) Filed: **Nov. 29, 2017**

(51) **LOC (11) Cl.** **13-03**

(52) **U.S. Cl.**
USPC **D13/102**

(58) **Field of Classification Search**
USPC D13/101, 102, 107, 118, 184, 199
CPC H02J 7/0042; H02J 7/0045; H02J 7/0052;
H01R 31/06; H01R 24/38; H01L 31/042;
H01L 31/045; H01L 31/046; H01L
31/048; H01L 31/05; H01L 31/052; H01L
31/0525; H02S 30/00; H02S 20/10; H02S
20/23; H02S 20/30; H02S 40/34; H02S
40/44; F24J 2/52; F03G 6/00

See application file for complete search history.

(56) **References Cited**

U.S. PATENT DOCUMENTS

D652,789 S * 1/2012 Kawai D13/102
D699,666 S * 2/2014 Moyal D13/102

D708,933 S * 7/2014 Kats D8/380
D746,768 S * 1/2016 Laitila D13/102
D818,430 S * 5/2018 Anderson D13/102

* cited by examiner

Primary Examiner — Daniel D Bui

(74) *Attorney, Agent, or Firm* — Hoffmann and Baron,
LLP

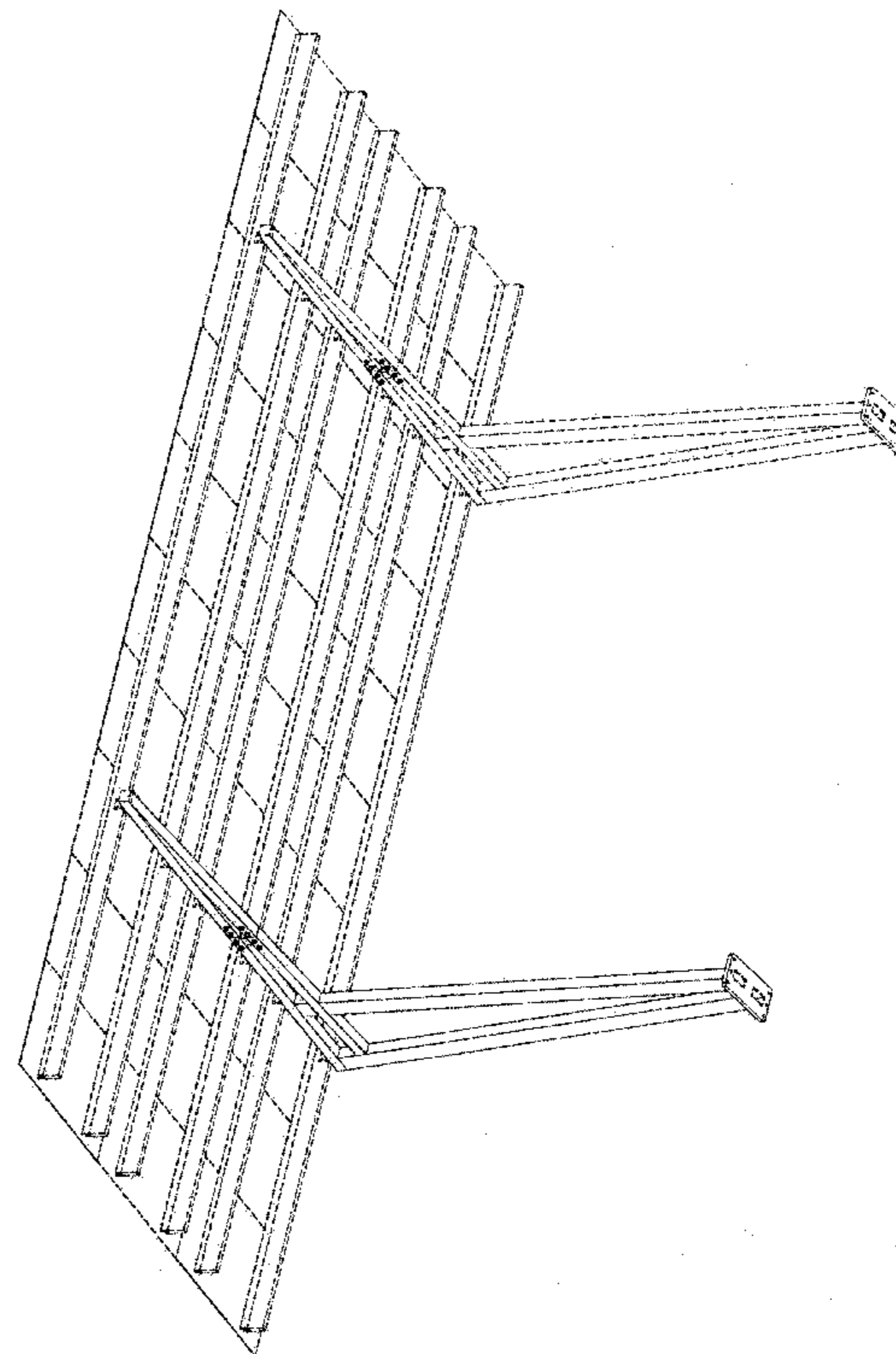
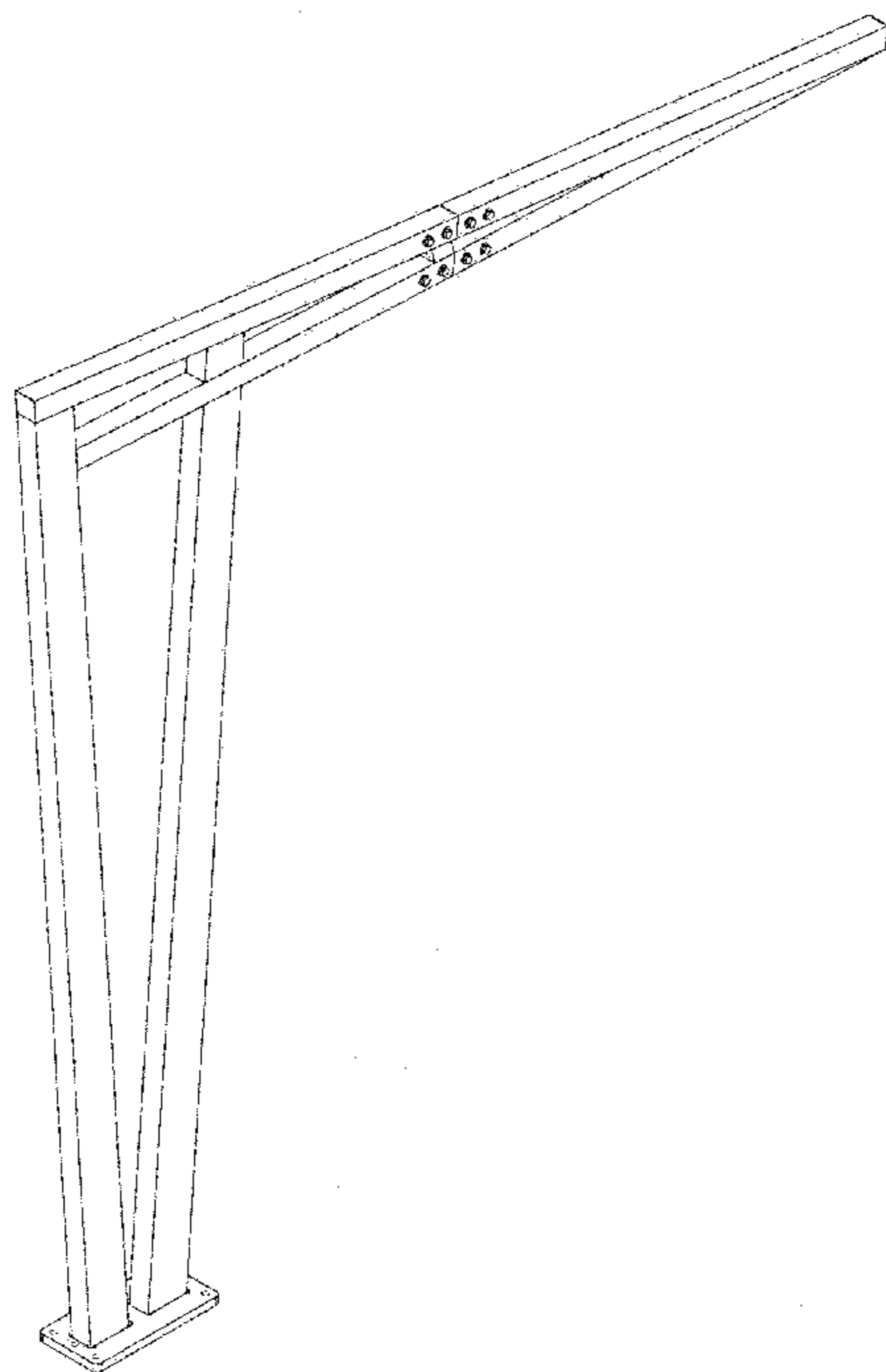
(57) **CLAIM**

The ornamental design for a photovoltaic panel support, as shown and described.

DESCRIPTION

FIG. 1 is a top perspective view of a photovoltaic panel support, showing my new design; FIG. 2 is a front elevational view thereof; FIG. 3 is a left side elevational view thereof; FIG. 4 is the right side elevational view thereof; FIG. 5 is a back elevational view thereof; FIG. 6 is a top plan view thereof; and FIG. 7 is a bottom elevational view thereof. FIG. 8 is a top perspective view thereof, in use condition; FIG. 9 is a bottom perspective view thereof, in use condition; and, FIG. 10 is a top perspective view thereof, in use condition. The portions shown in broken lines shown in the various views form no part of the claimed design. The bolts and nuts shown in the various views form no part of the claimed design.

1 Claim, 10 Drawing Sheets



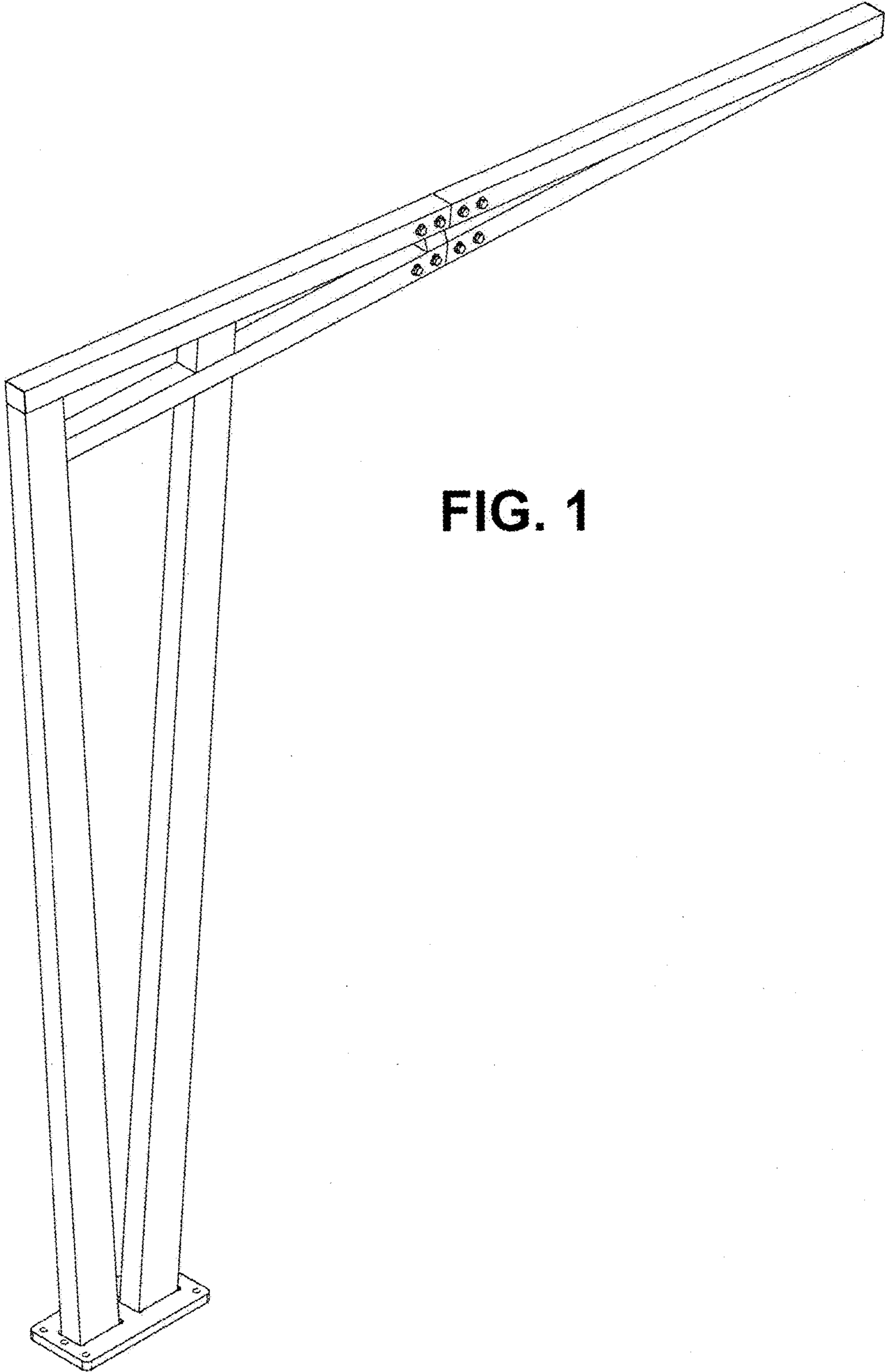
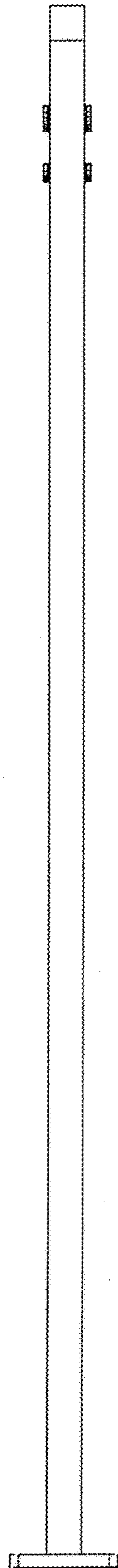


FIG. 1

FIG. 2



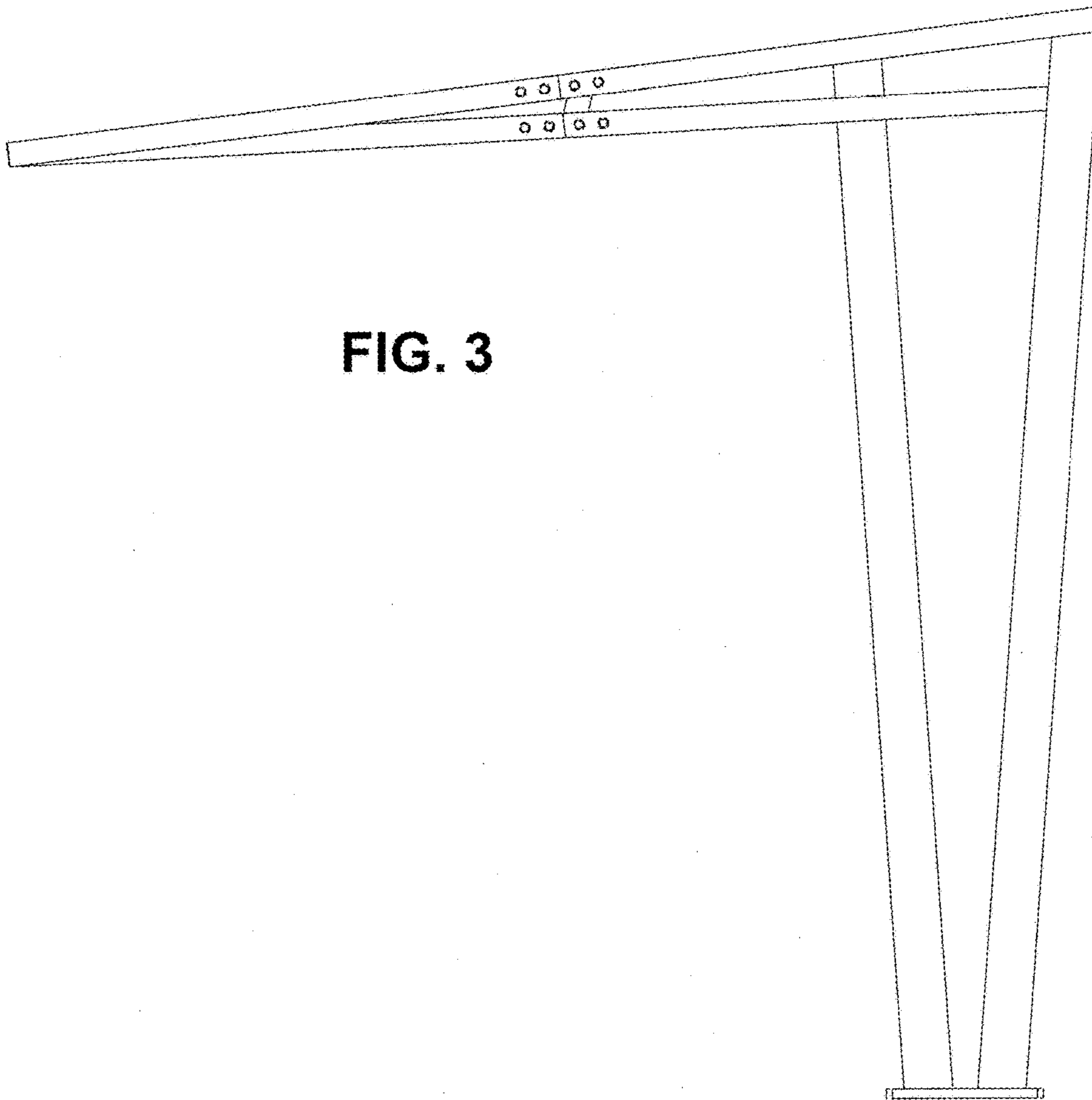


FIG. 3

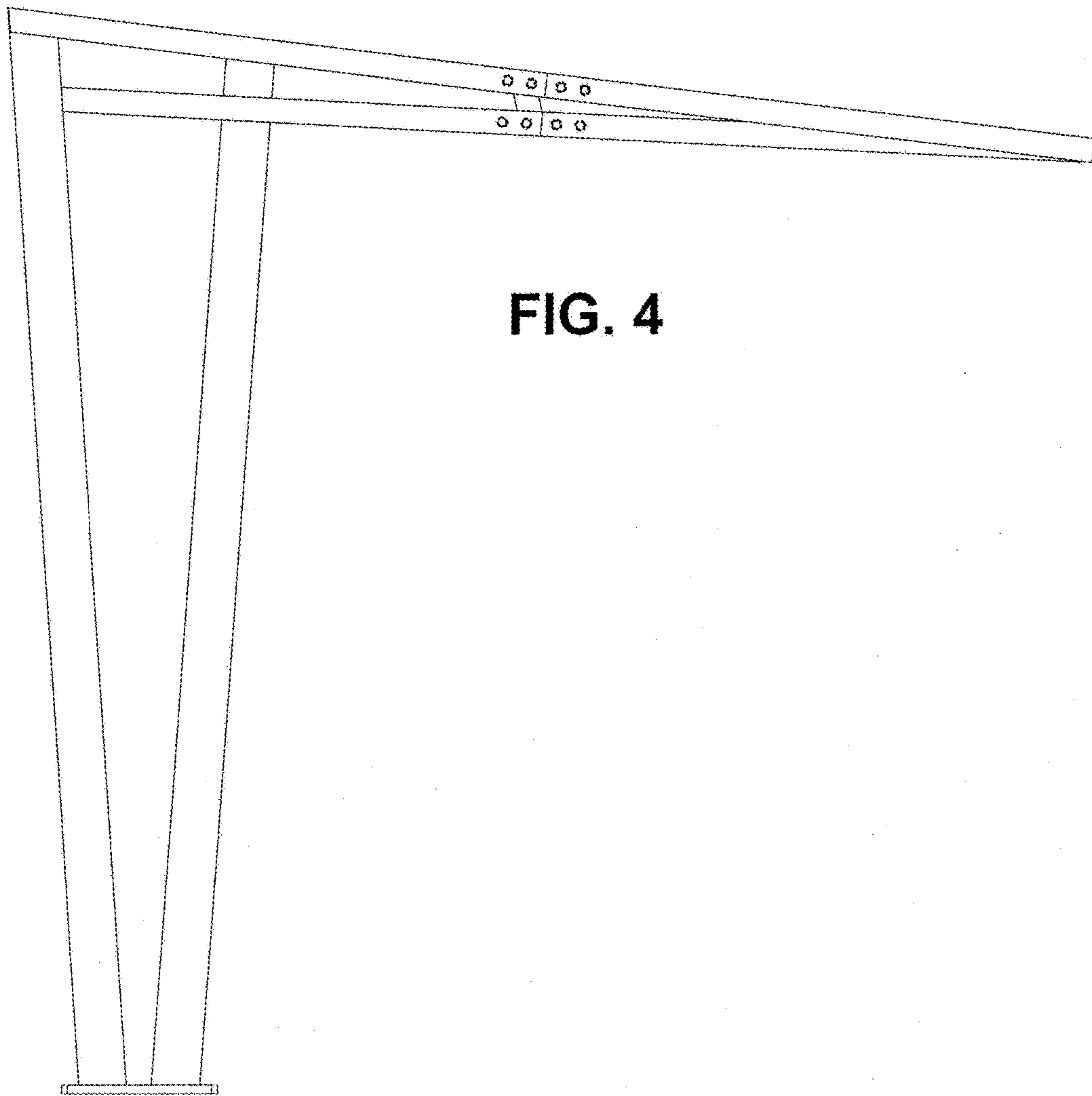


FIG. 5

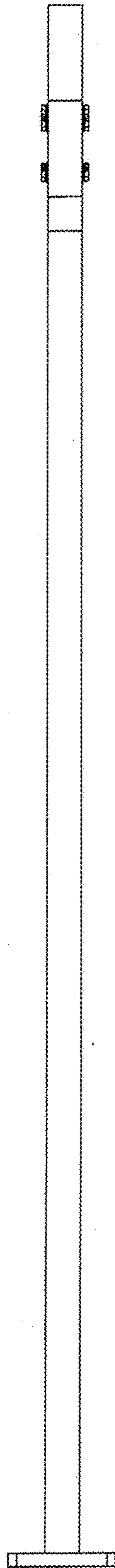


FIG. 6

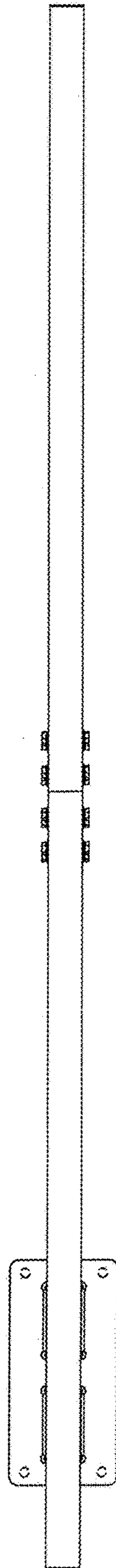


FIG. 7

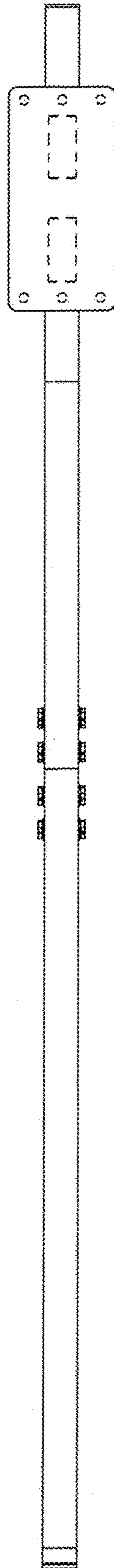
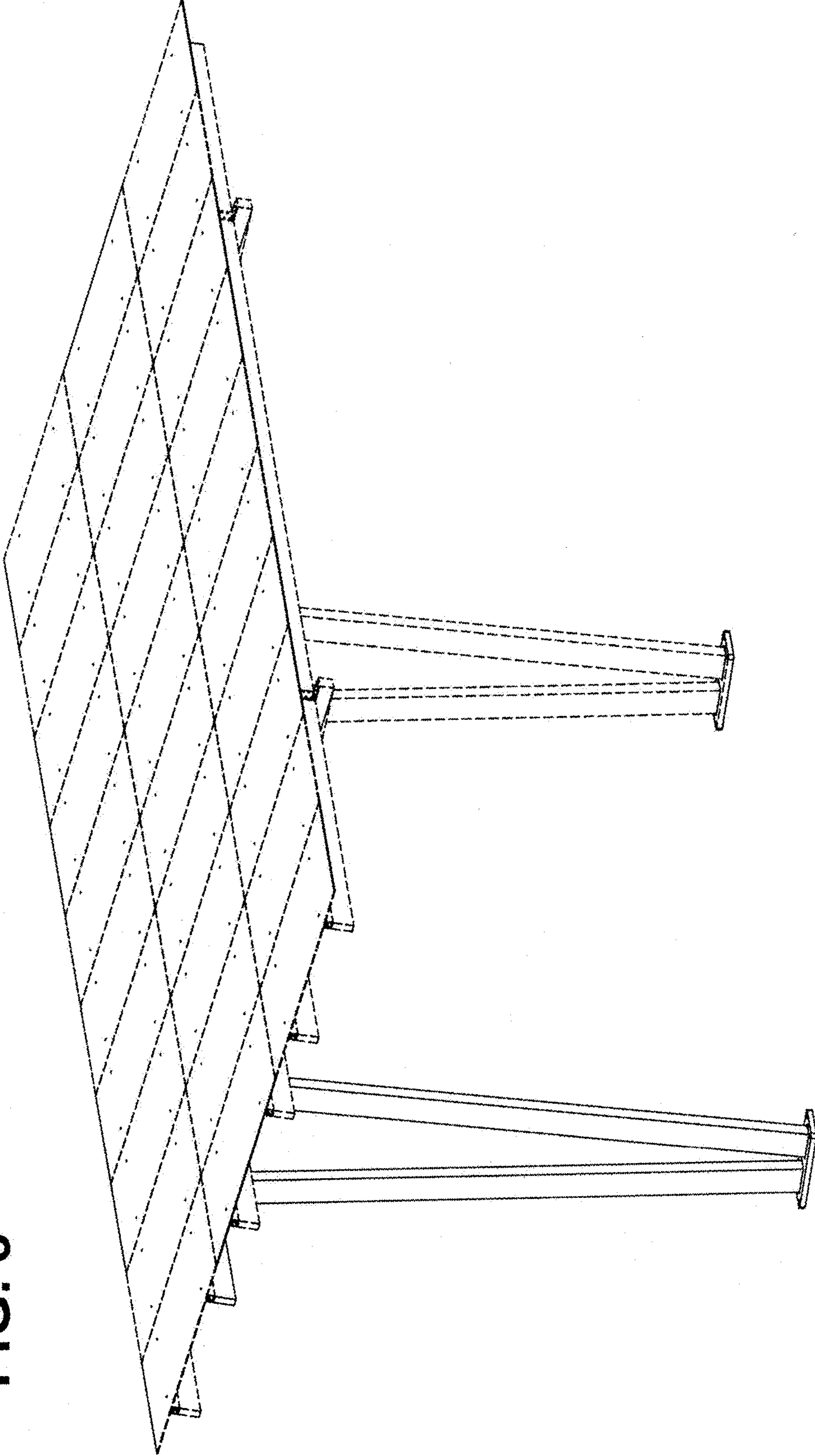


FIG. 8



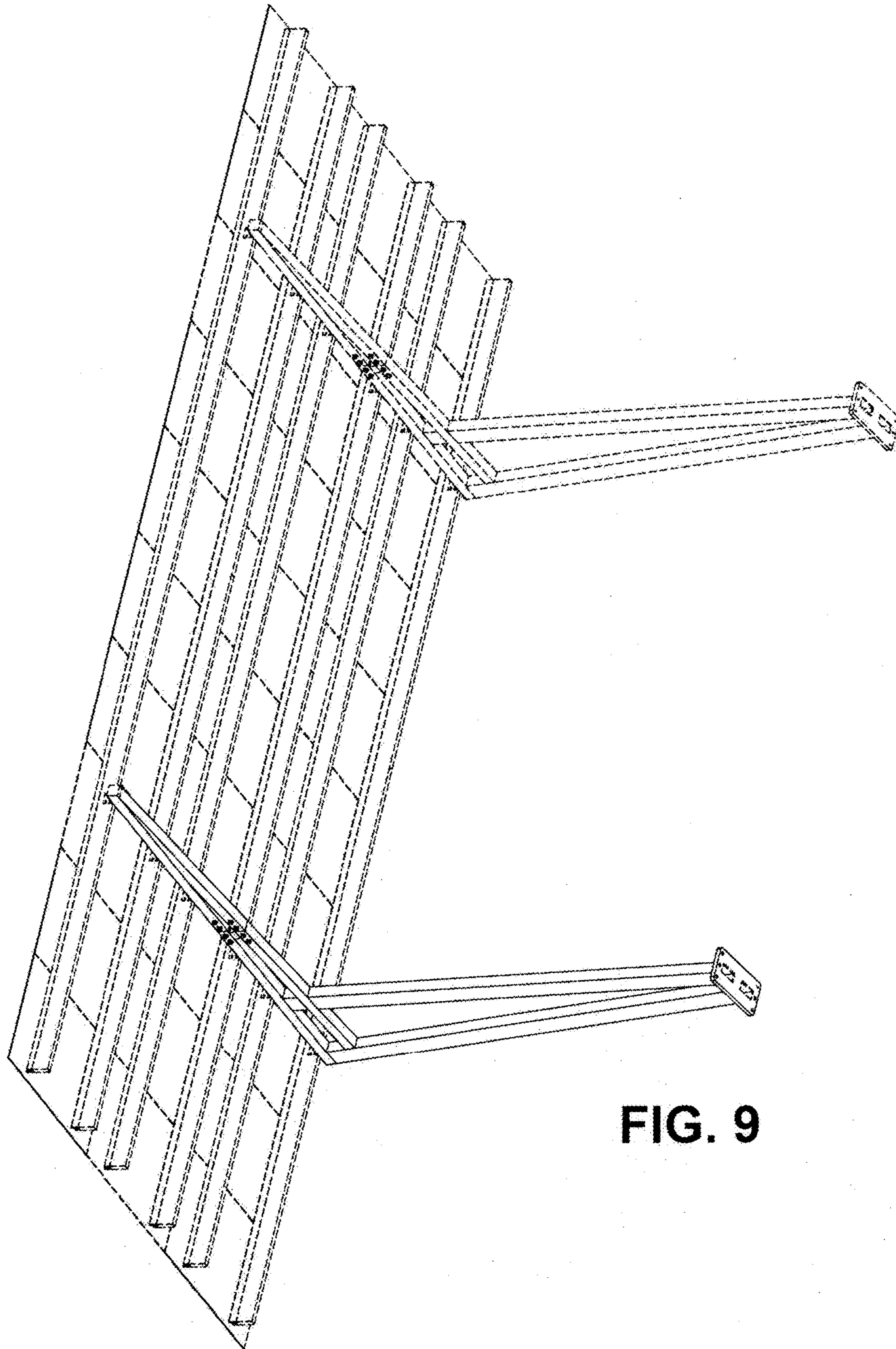


FIG. 9

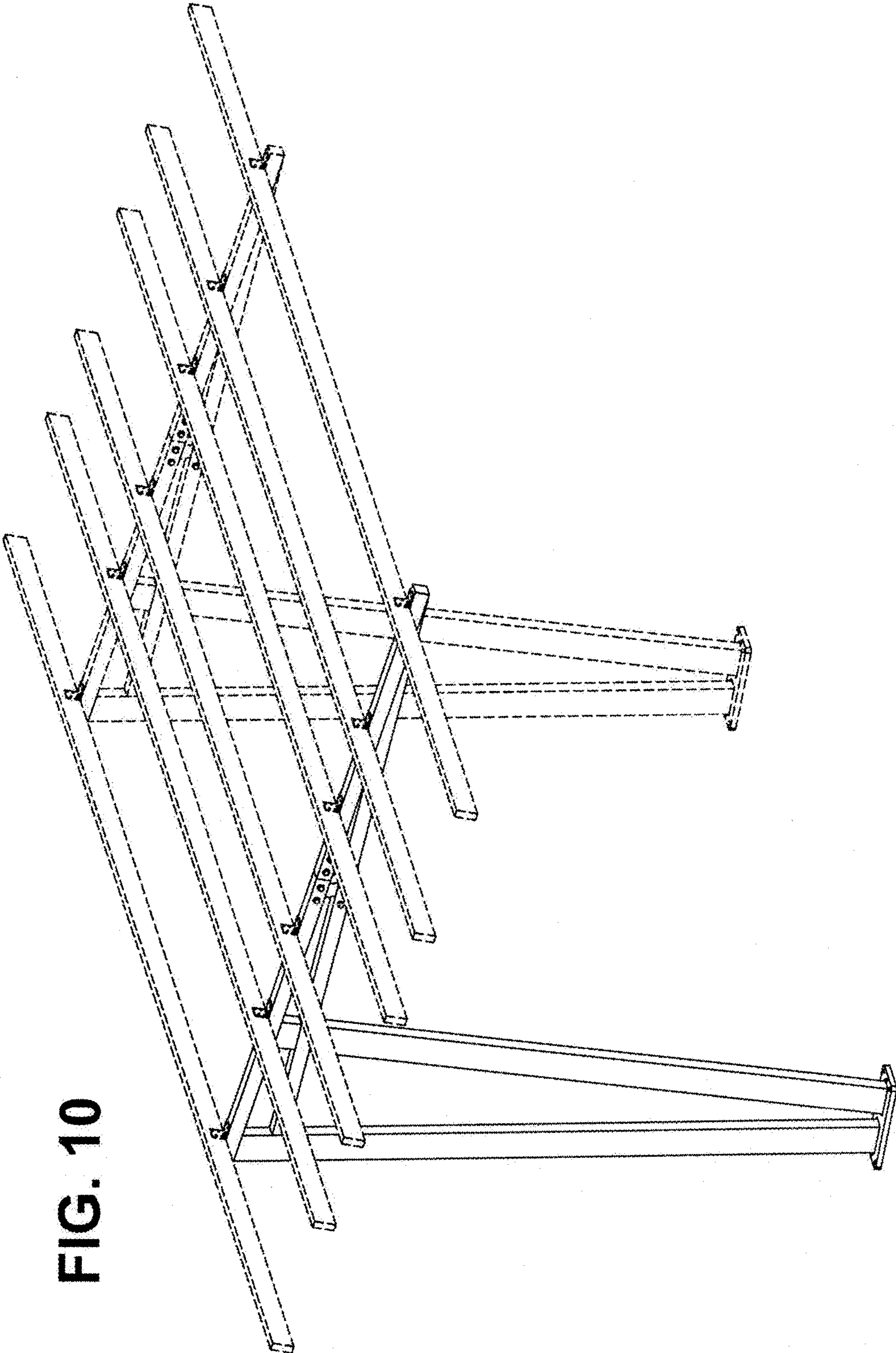


FIG. 10