



US00D836539S

(12) **United States Design Patent**  
**Yang**

(10) **Patent No.:** **US D836,539 S**

(45) **Date of Patent:** **\*\* Dec. 25, 2018**

- (54) **MOSAIC SOLAR CELL**
- (71) Applicant: **SolAero Technologies Corp.**,  
Albuquerque, NM (US)
- (72) Inventor: **Lei Yang**, Albuquerque, NM (US)
- (73) Assignee: **SolAero Technologies Corp.**,  
Albuquerque, NM (US)

D784,253 S *	4/2017	Aiken .....	D13/102
D784,255 S *	4/2017	Steinfeldt .....	D13/102
D784,256 S *	4/2017	Steinfeldt .....	D13/102
D784,919 S *	4/2017	Aiken .....	D13/102
D785,560 S *	5/2017	Aiken .....	D13/102
D795,800 S *	8/2017	Derkacs .....	D13/102
D802,527 S *	11/2017	Cardoso .....	D13/102
D815,031 S *	4/2018	Yang .....	D13/102
D818,945 S *	5/2018	Derkacs .....	D13/102

(\*\*) Term: **15 Years**

\* cited by examiner

(21) Appl. No.: **29/624,370**

*Primary Examiner* — Daniel D Bui

(22) Filed: **Oct. 31, 2017**

(57) **CLAIM**

(51) **LOC (11) Cl.** ..... **13-02**

The ornamental design for a mosaic solar cell, as shown and described.

(52) **U.S. Cl.**  
USPC ..... **D13/102**

(58) **Field of Classification Search**  
 USPC ..... D13/101, 102, 118, 184, 199  
 CPC ..... H02J 7/0042; H02J 7/0045; H02J 7/0052;  
 H01R 31/06; H01R 24/38; H01L 31/042;  
 H01L 31/045; H01L 31/046; H01L  
 31/048; H01L 31/05; H01L 31/052; H01L  
 31/0525; H02S 30/00; H02S 20/10; H02S  
 20/23; H02S 20/30; H02S 40/34; H02S  
 40/44; F24J 2/52; F03G 6/00  
 See application file for complete search history.

**DESCRIPTION**

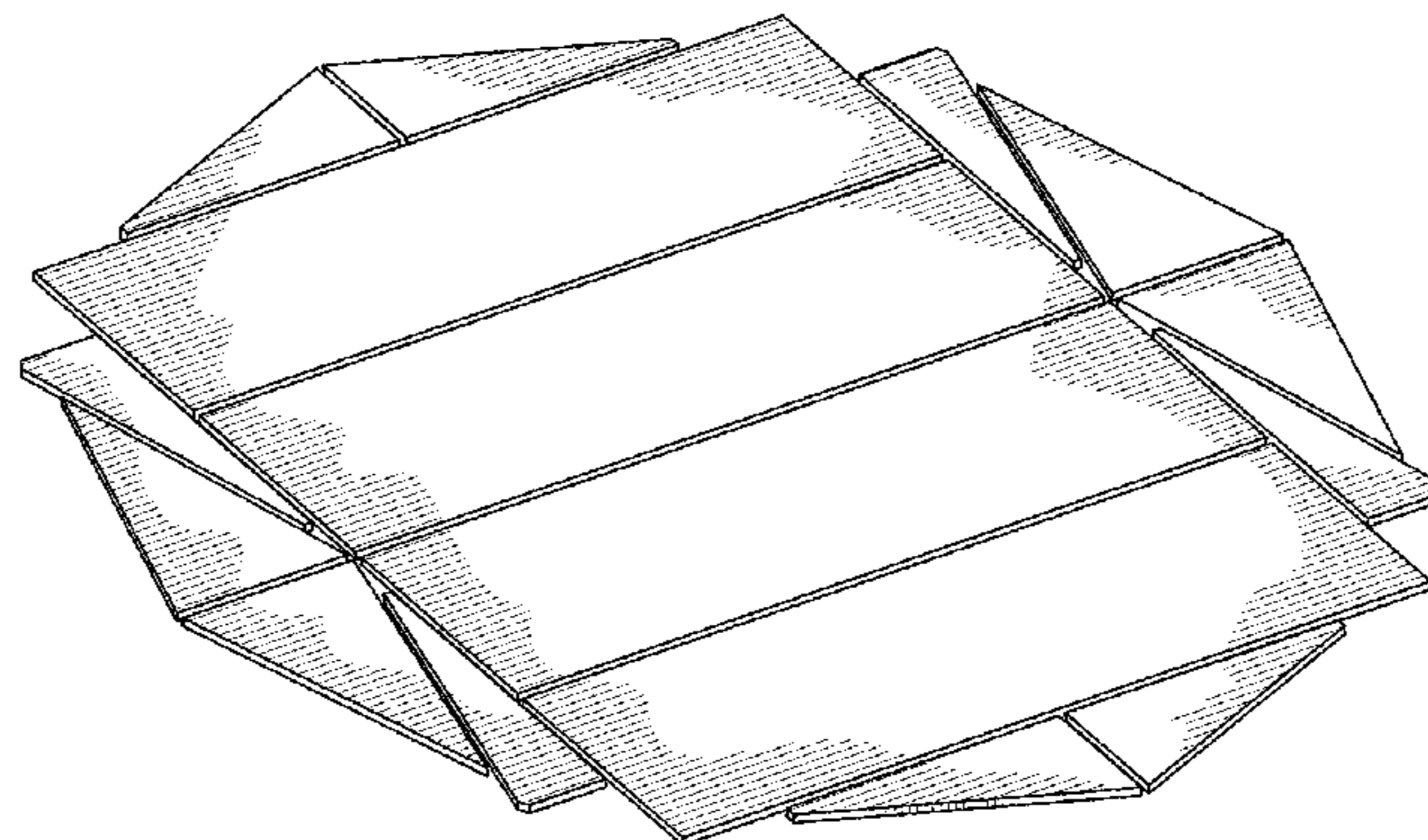
FIG. 1 is a top perspective view of a mosaic solar cell showing my new design;  
 FIG. 2 is a top plan view of a mosaic solar cell thereof, as scribed from an unclaimed semiconductor wafer;  
 FIG. 3 is a top plan view of the mosaic solar cell of FIG. 1;  
 FIG. 4 is a bottom plan view thereof;  
 FIG. 5 is a front elevation view thereof;  
 FIG. 6 is a rear elevation view thereof;  
 FIG. 7 is a left elevation view thereof; and,  
 FIG. 8 is a right side elevation view thereof.  
 The broken line shown in FIG. 2 represents unclaimed environment only and forms no part of the claimed design.

(56) **References Cited**

U.S. PATENT DOCUMENTS

D772,802 S \* 11/2016 Haas ..... D13/102  
 D772,803 S \* 11/2016 Haas ..... D13/102

**1 Claim, 5 Drawing Sheets**



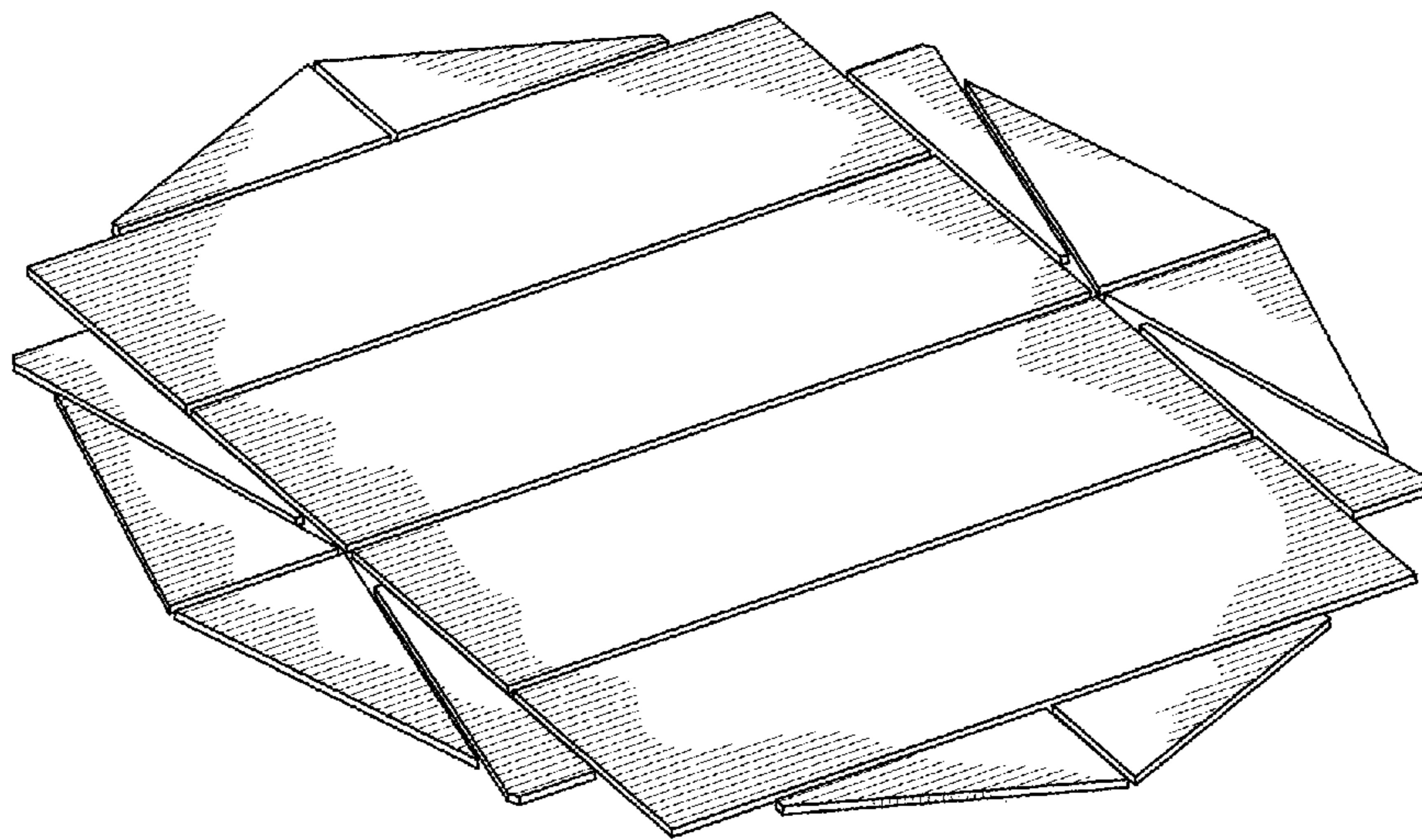


FIG. 1

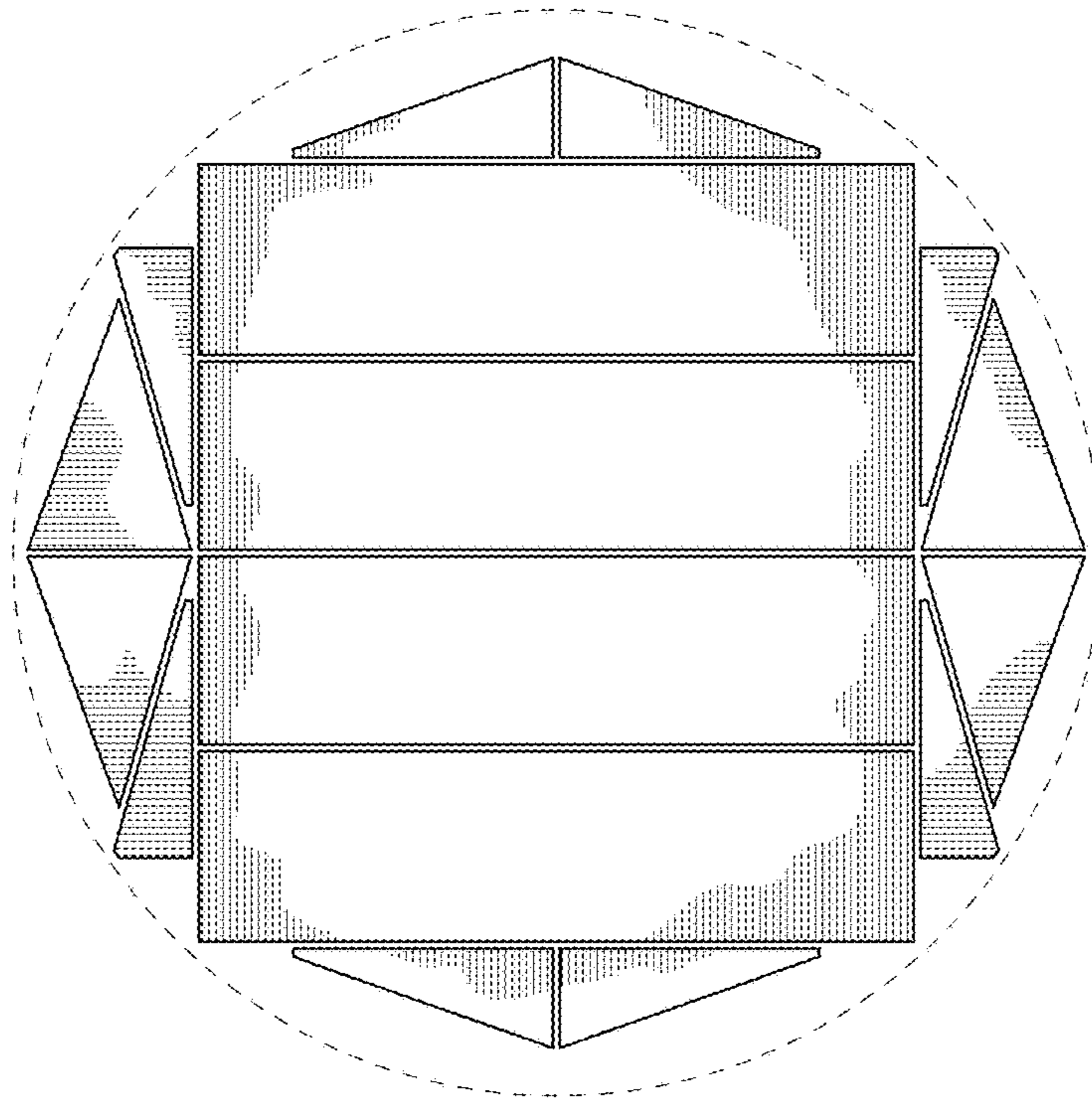


FIG. 2

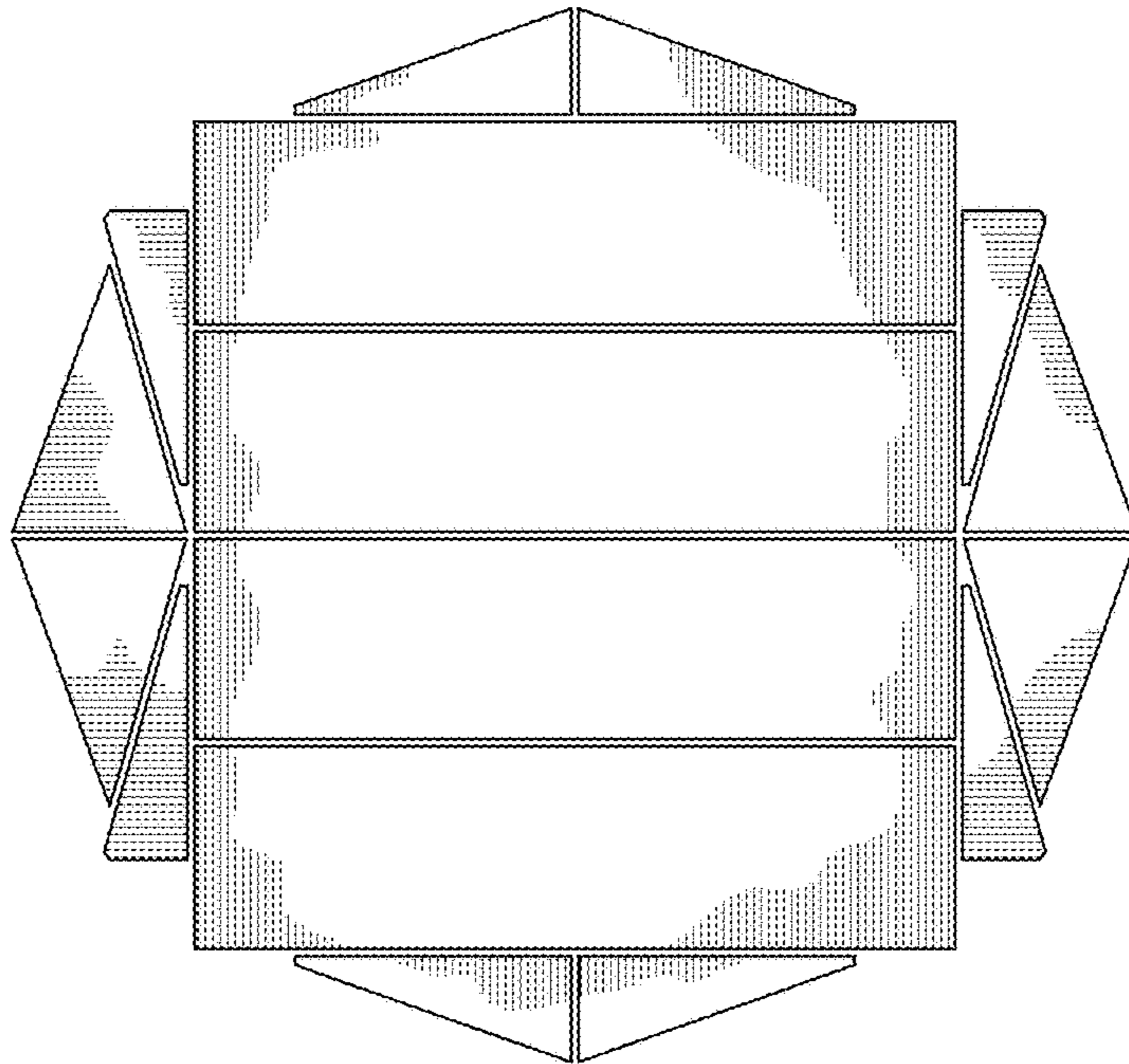


FIG. 3

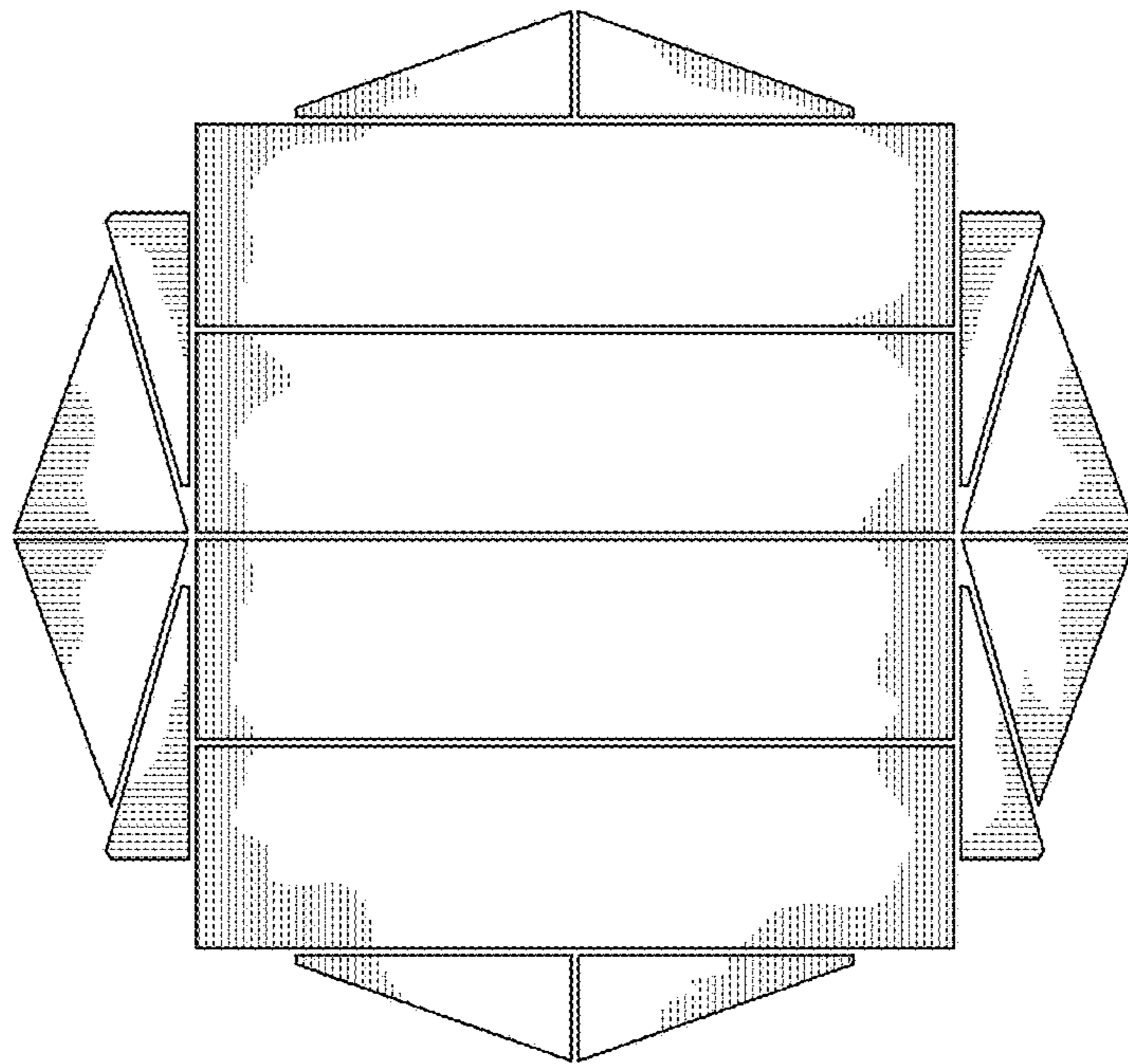


FIG. 4



FIG. 5



FIG. 6

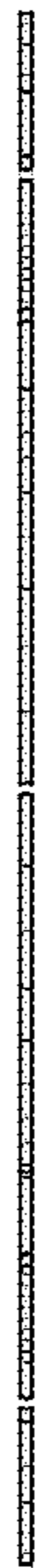


FIG. 7



FIG. 8