



US00D836538S

(12) **United States Design Patent** (10) **Patent No.:** **US D836,538 S**
Yang (45) **Date of Patent:** **** Dec. 25, 2018**

(54) **MOSAIC SOLAR CELL**
(71) Applicant: **SolAero Technologies Corp.**,
Albuquerque, NM (US)
(72) Inventor: **Lei Yang**, Albuquerque, NM (US)
(73) Assignee: **SolAero Technologies Corp.**,
Albuquerque, NM (US)

D784,253 S * 4/2017 Aiken D13/102
D784,255 S * 4/2017 Steinfeldt D13/102
D784,256 S * 4/2017 Steinfeldt D13/102
D784,919 S * 4/2017 Aiken D13/102
D785,560 S * 5/2017 Aiken D13/102
D795,800 S * 8/2017 Derkacs D13/102
D802,527 S * 11/2017 Cardoso D13/102
D815,031 S * 4/2018 Yang D13/102
D818,945 S * 5/2018 Derkacs D13/102

(**) Term: **15 Years**

* cited by examiner

(21) Appl. No.: **29/624,365**

Primary Examiner — Daniel D Bui

(22) Filed: **Oct. 31, 2017**

(57) **CLAIM**

(51) **LOC (11) Cl.** **13-02**

The ornamental design for a mosaic solar cell, as shown and described.

(52) **U.S. Cl.**
USPC **D13/102**

(58) **Field of Classification Search**
USPC D13/101, 102, 118, 184, 199
CPC H02J 7/0042; H02J 7/0045; H02J 7/0052;
H01R 31/06; H01R 24/38; H01L 31/042;
H01L 31/045; H01L 31/046; H01L
31/048; H01L 31/05; H01L 31/052; H01L
31/0525; H02S 30/00; H02S 20/10; H02S
20/23; H02S 20/30; H02S 40/34; H02S
40/44; F24J 2/52; F03G 6/00
See application file for complete search history.

DESCRIPTION

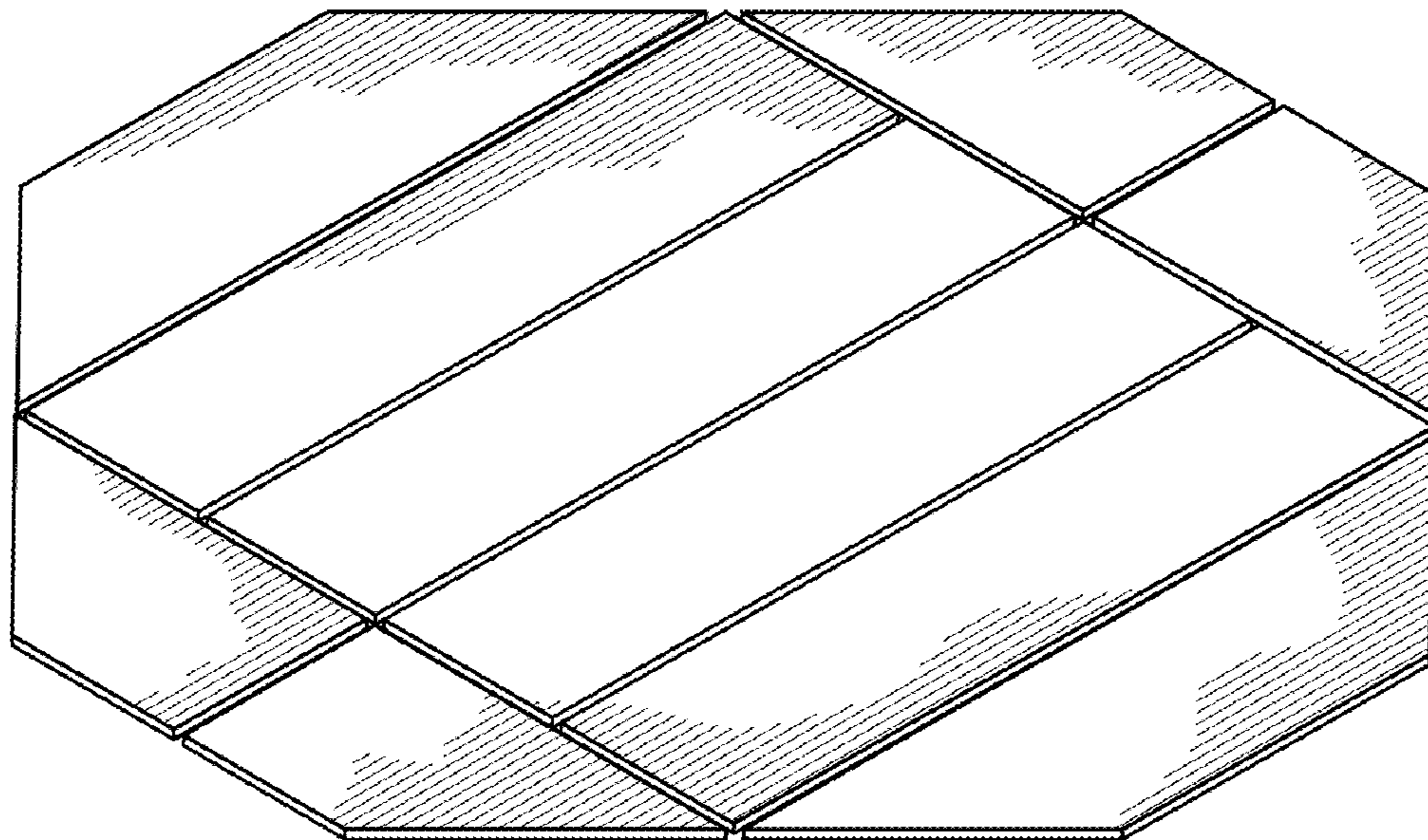
FIG. 1 is a top perspective view of a mosaic solar cell showing my new design;
FIG. 2 is a top plan view of a mosaic solar cell thereof, as scribed from an unclaimed semiconductor wafer;
FIG. 3 is a top plan view of the mosaic solar cell of FIG. 1;
FIG. 4 is a bottom plan view thereof;
FIG. 5 is a front elevation view thereof;
FIG. 6 is a rear elevation view thereof;
FIG. 7 is a left elevation view thereof; and,
FIG. 8 is a right side elevation view thereof.
The broken line shown in FIG. 2 represents unclaimed environment only and forms no part of the claimed design.

(56) **References Cited**

U.S. PATENT DOCUMENTS

D772,802 S * 11/2016 Haas D13/102
D772,803 S * 11/2016 Haas D13/102

1 Claim, 5 Drawing Sheets



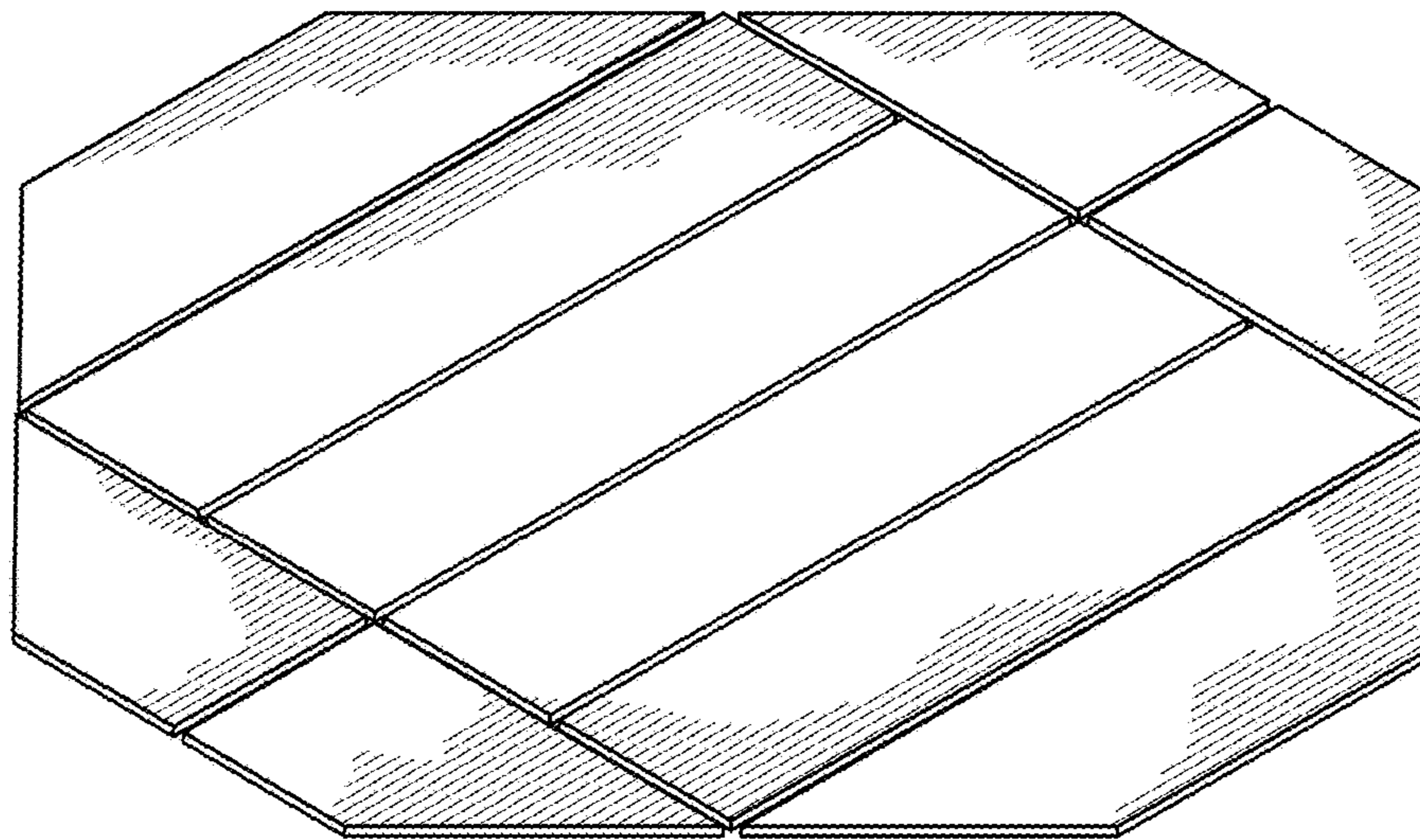


FIG. 1

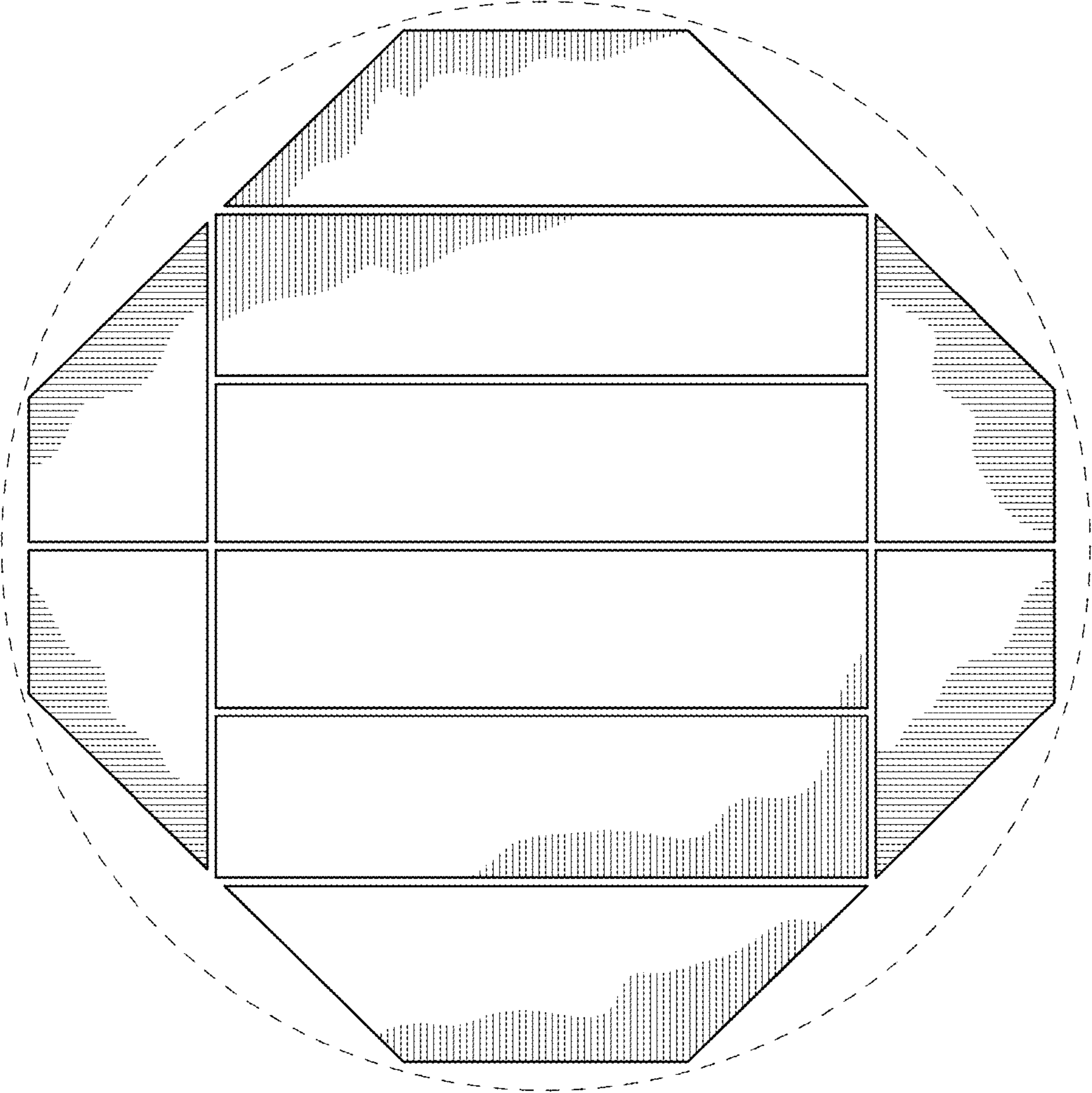


FIG. 2

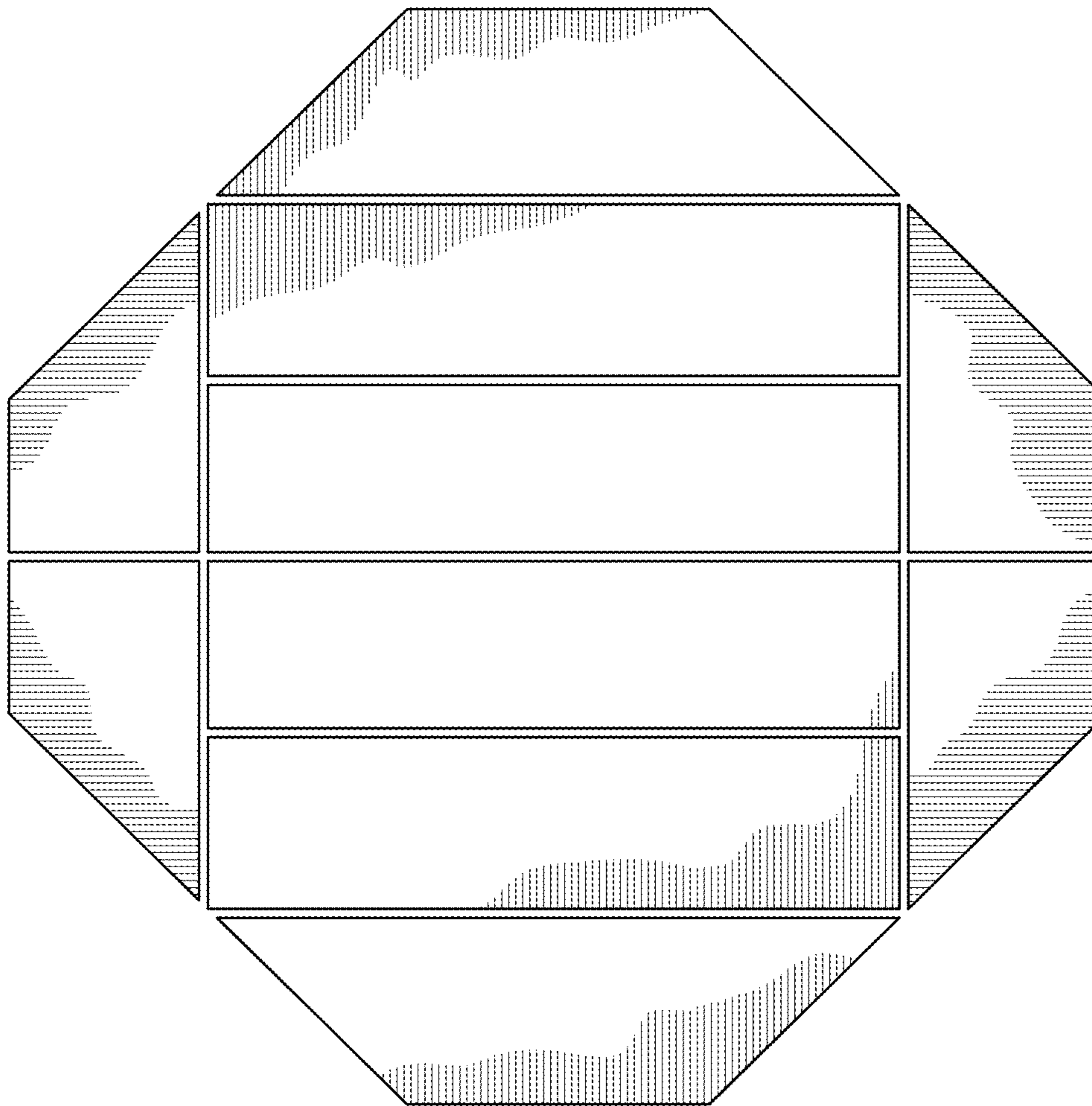


FIG. 3

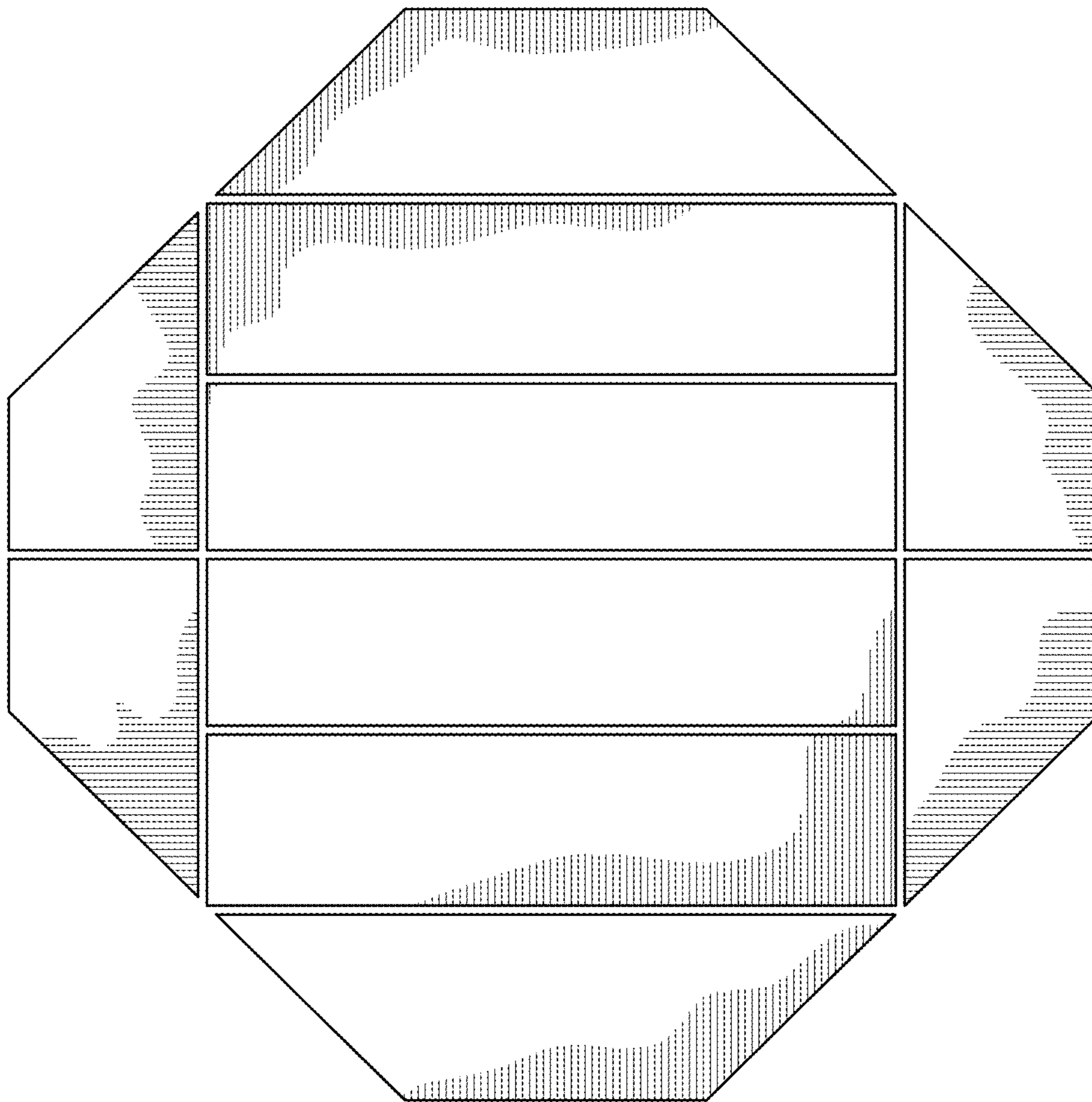


FIG. 4

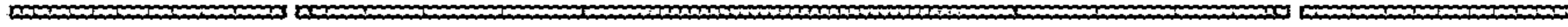


FIG. 5



FIG. 6

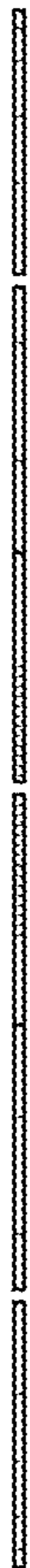


FIG. 7

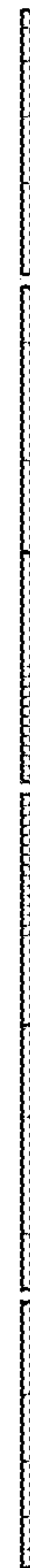


FIG. 8