



US00D836533S

(12) **United States Design Patent**  
**Kubota et al.**

(10) **Patent No.:** **US D836,533 S**

(45) **Date of Patent:** **\*\* Dec. 25, 2018**

(54) **AUTOMOBILE TIRE**

(71) Applicant: **The Yokohama Rubber Co., Ltd.**,  
Minato-ku, Tokyo (JP)

(72) Inventors: **Masataka Kubota**, Hiratsuka (JP);  
**Noboru Kuwahara**, Tokyo (JP)

(73) Assignee: **The Yokohama Rubber Co., Ltd.**,  
Tokyo (JP)

(\*\*) Term: **15 Years**

(21) Appl. No.: **29/613,956**

(22) Filed: **Aug. 15, 2017**

(30) **Foreign Application Priority Data**

Feb. 17, 2017 (JP) ..... 2017-003107

(51) **LOC (11) Cl.** ..... **12-15**

(52) **U.S. Cl.**  
USPC ..... **D12/518**

(58) **Field of Classification Search**  
USPC ..... D12/512, 515, 517, 518, 519, 531, 532  
CPC ..... B60C 11/0304  
See application file for complete search history.

(56) **References Cited**

**U.S. PATENT DOCUMENTS**

D376,779 S \* 12/1996 Kuwajima ..... D12/518  
D597,474 S \* 8/2009 Yamakawa ..... D12/519  
D598,363 S \* 8/2009 Misumi ..... D12/515  
D606,002 S \* 12/2009 Yamakawa ..... D12/519  
D615,024 S \* 5/2010 Lee ..... D12/515

D666,137 S \* 8/2012 Sieber ..... D12/517  
D706,707 S \* 6/2014 Jacobs ..... D12/518  
D804,395 S \* 12/2017 Speziari ..... D12/518

**OTHER PUBLICATIONS**

First Examination Report for Indian Application No. 296726, dated  
Sep. 12, 2017, 11 pages.

\* cited by examiner

*Primary Examiner* — Robert M. Spear

(74) *Attorney, Agent, or Firm* — RatnerPrestia

(57) **CLAIM**

The ornamental design for an automobile tire, as shown and  
described.

**DESCRIPTION**

FIG. 1 is a front view of an automobile tire showing our new  
design;

FIG. 2 is a rear view thereof;

FIG. 3 is a right side view thereof;

FIG. 4 is a left side view thereof;

FIG. 5 is a top plan view thereof;

FIG. 6 is a bottom plan view thereof;

FIG. 7 is a left side perspective view thereof;

FIG. 8 is a right side perspective view thereof;

FIG. 9 is an enlarged fragmental view thereof, taken along  
line 9-9 in FIG. 1; and,

FIG. 10 is a cross-sectional view thereof, taken along line  
10-10 in FIG. 9.

The dashed broken lines in the drawings are for the purpose  
of illustrating unclaimed portions of the tire and form no part  
of the claimed design, and the dash-dot-dash broken lines  
illustrate the boundary of the claimed design.

**1 Claim, 7 Drawing Sheets**

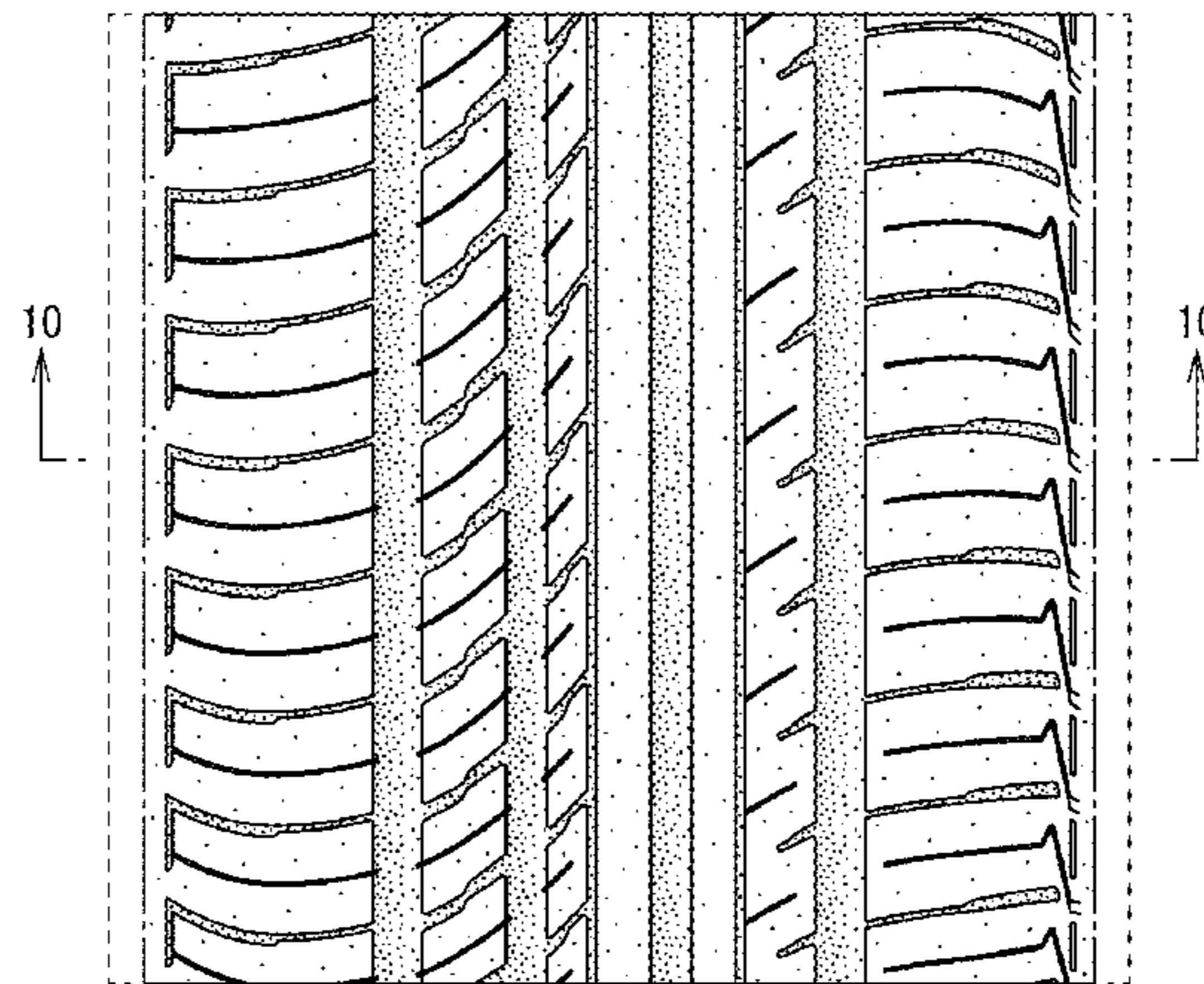
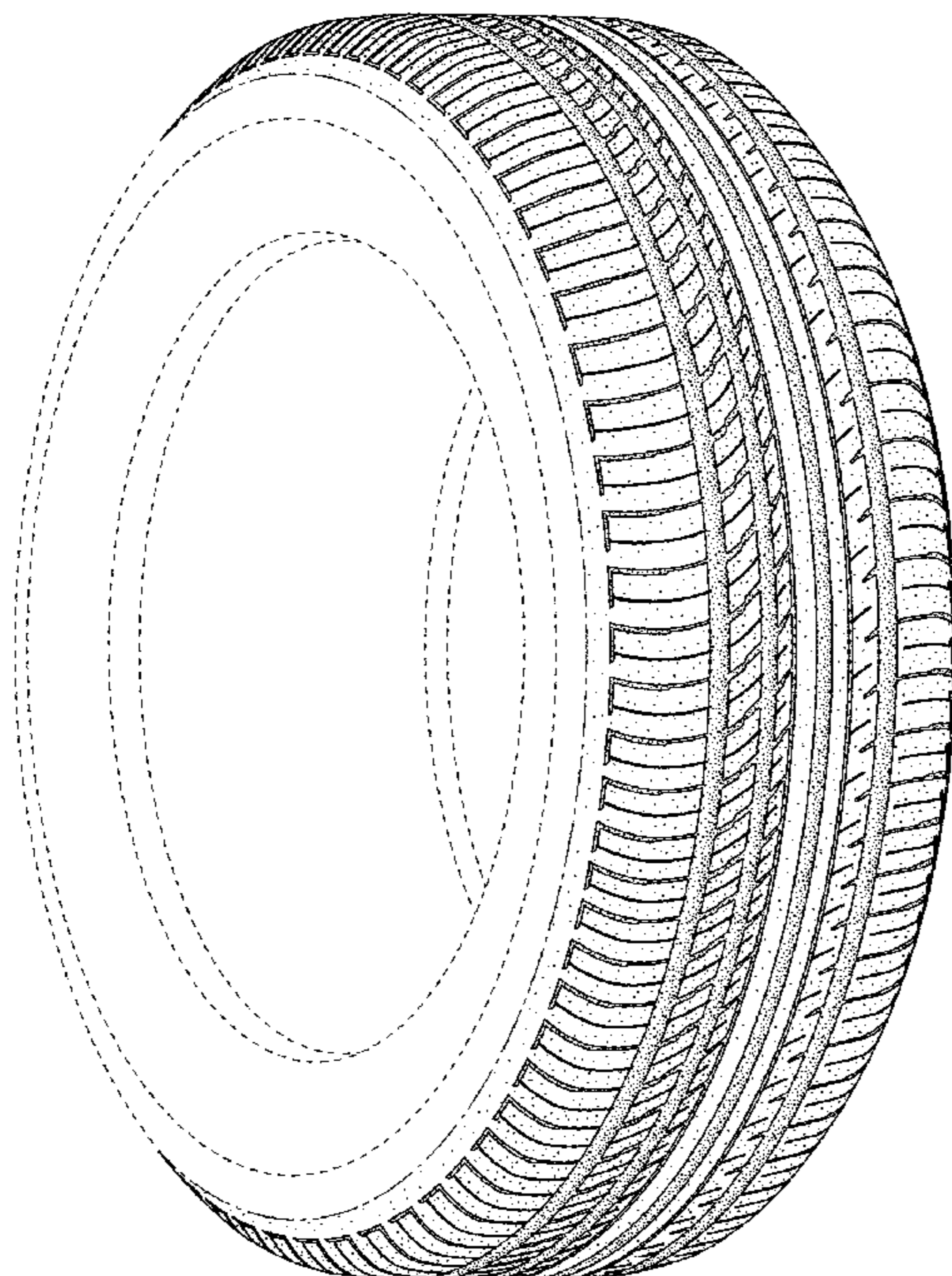


FIG. 1

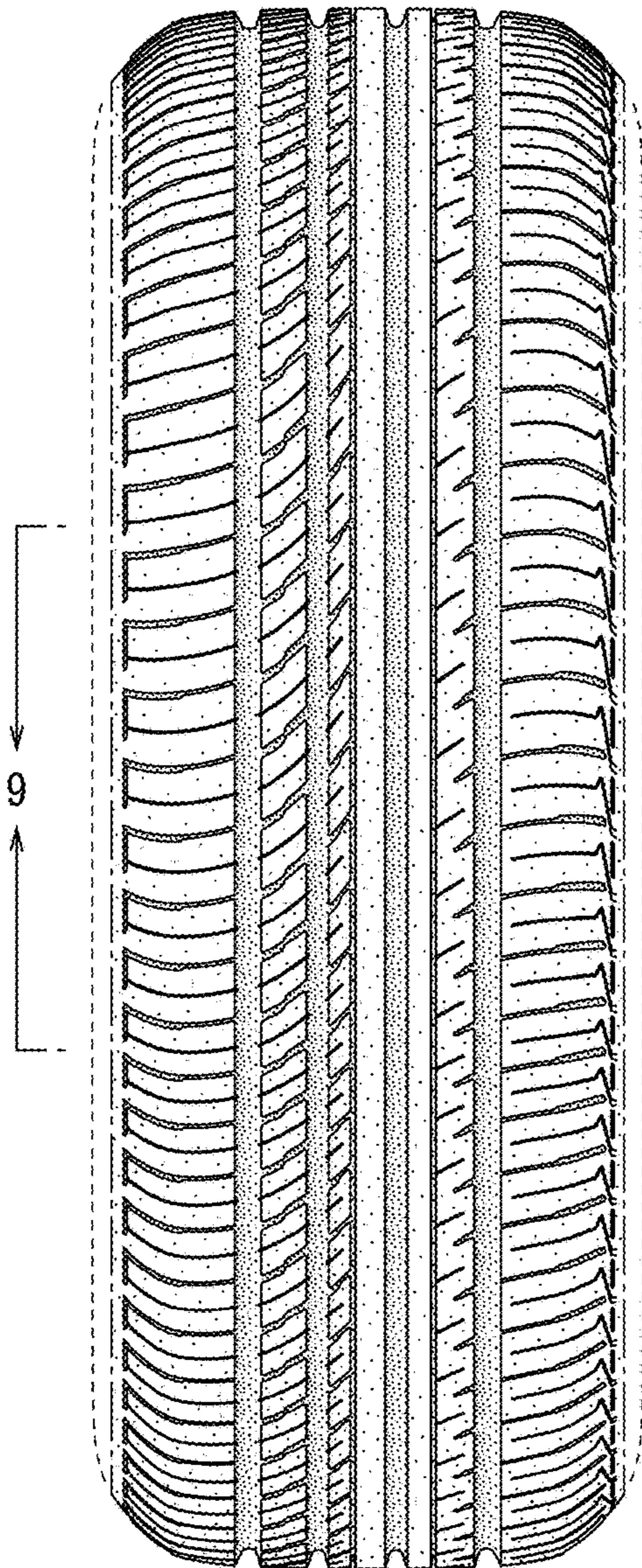


FIG. 2

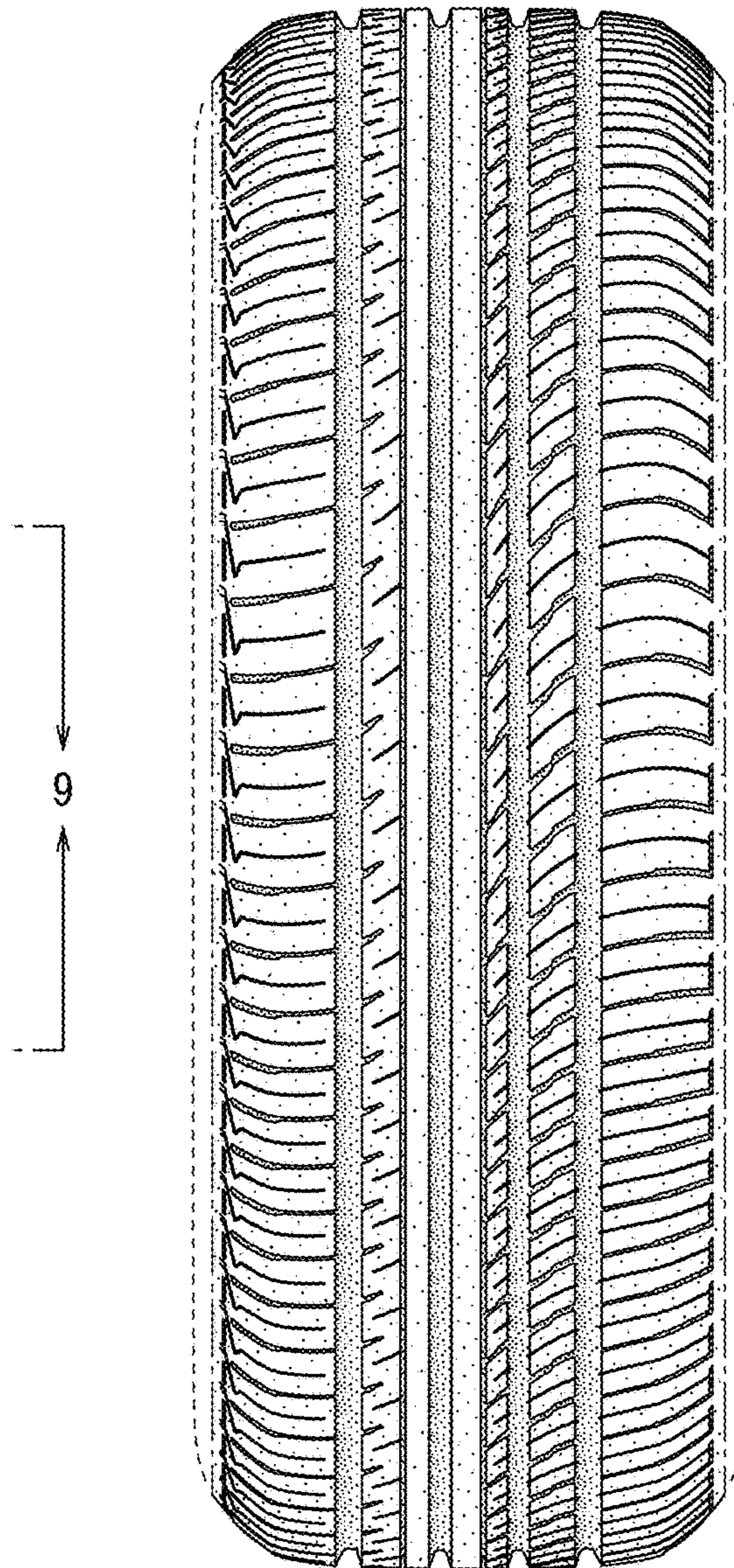


FIG. 3

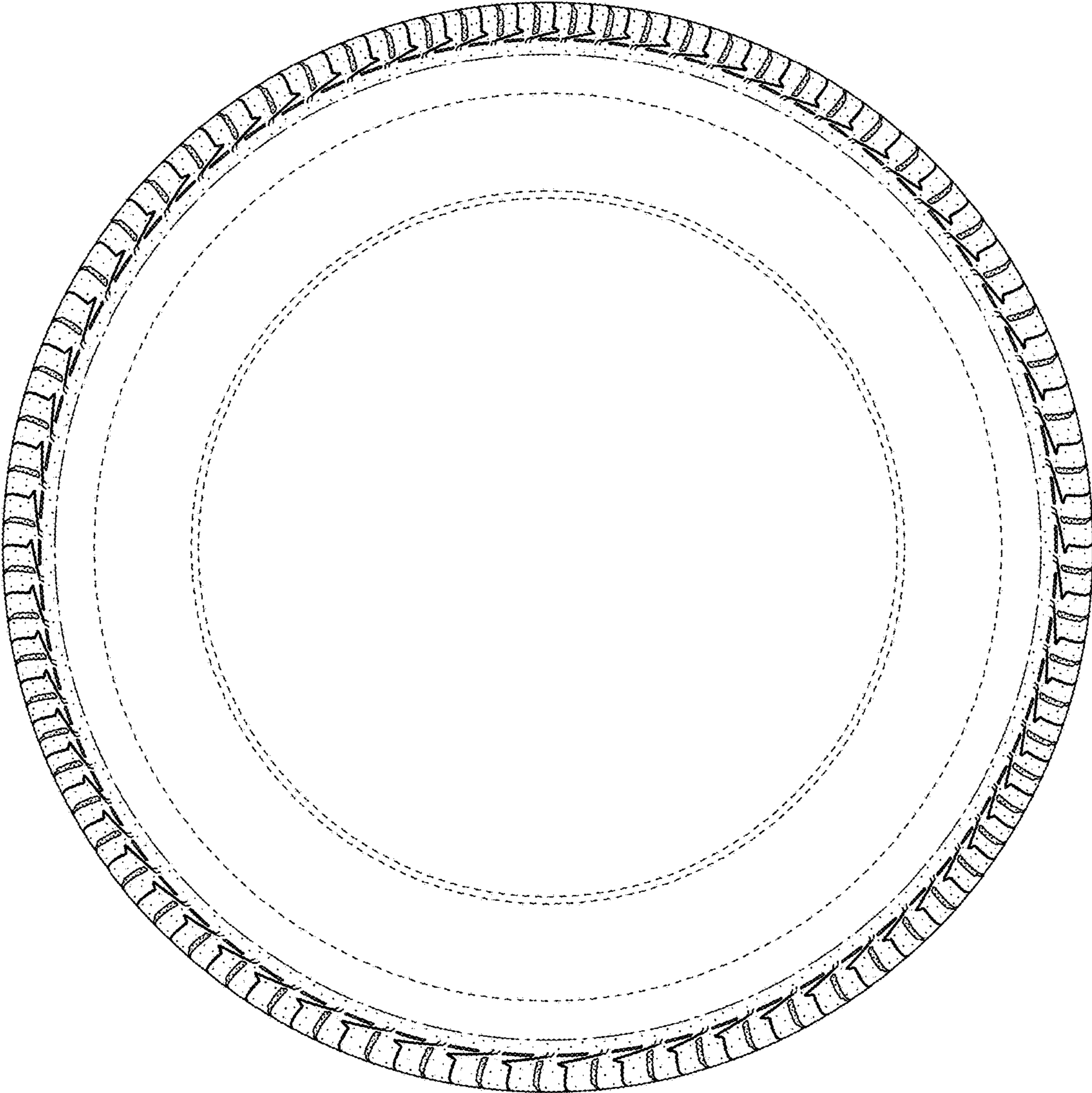


FIG. 4

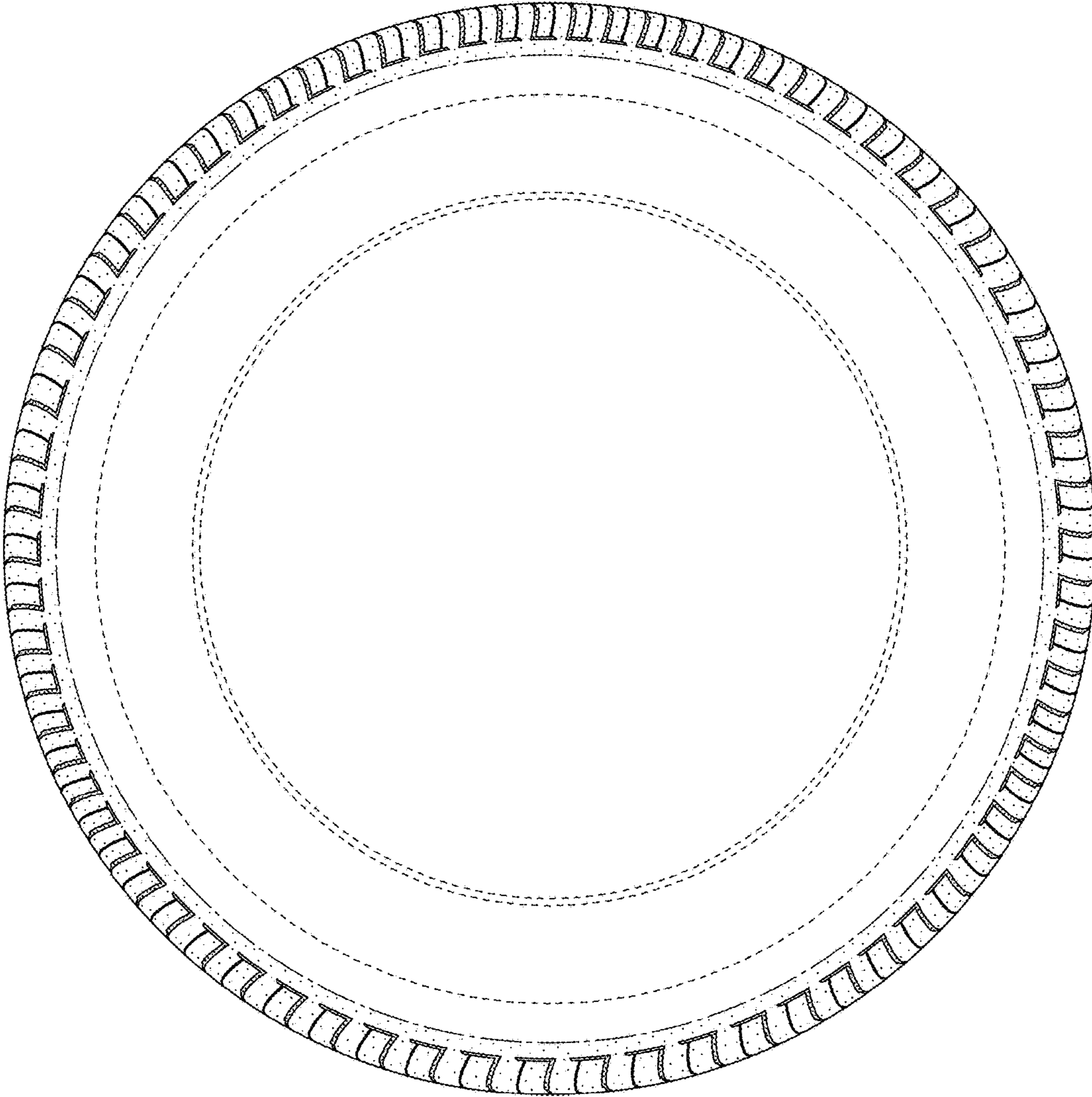


FIG. 5

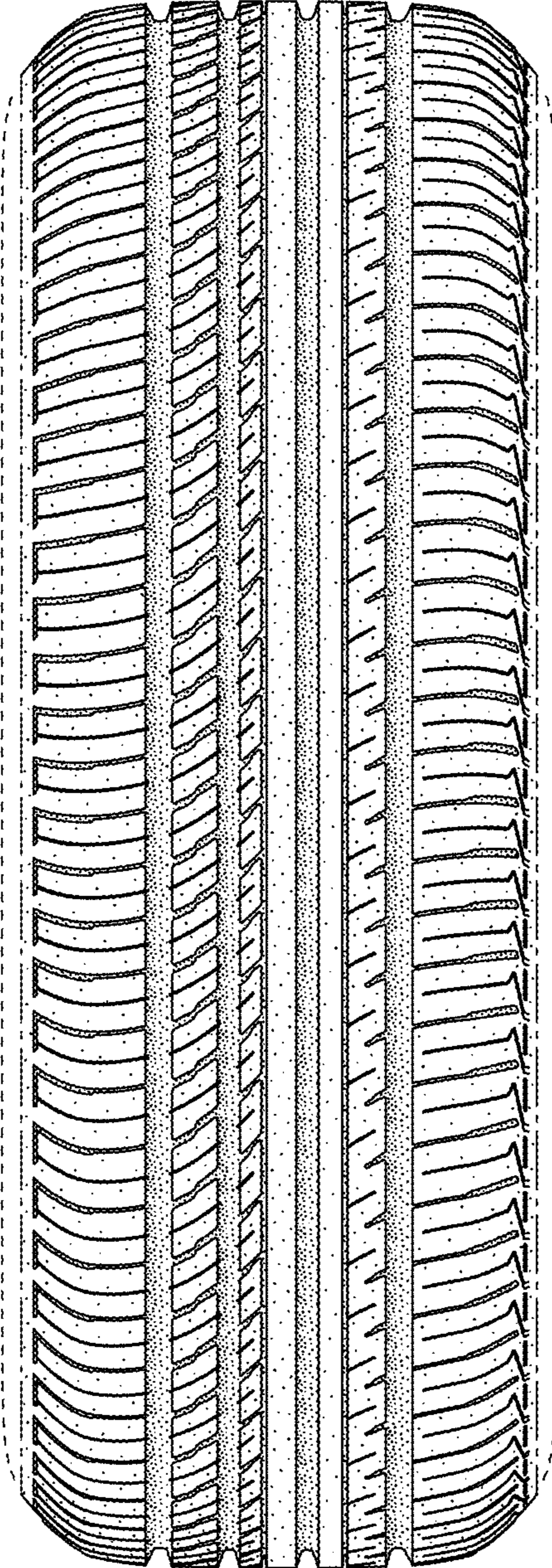


FIG. 6

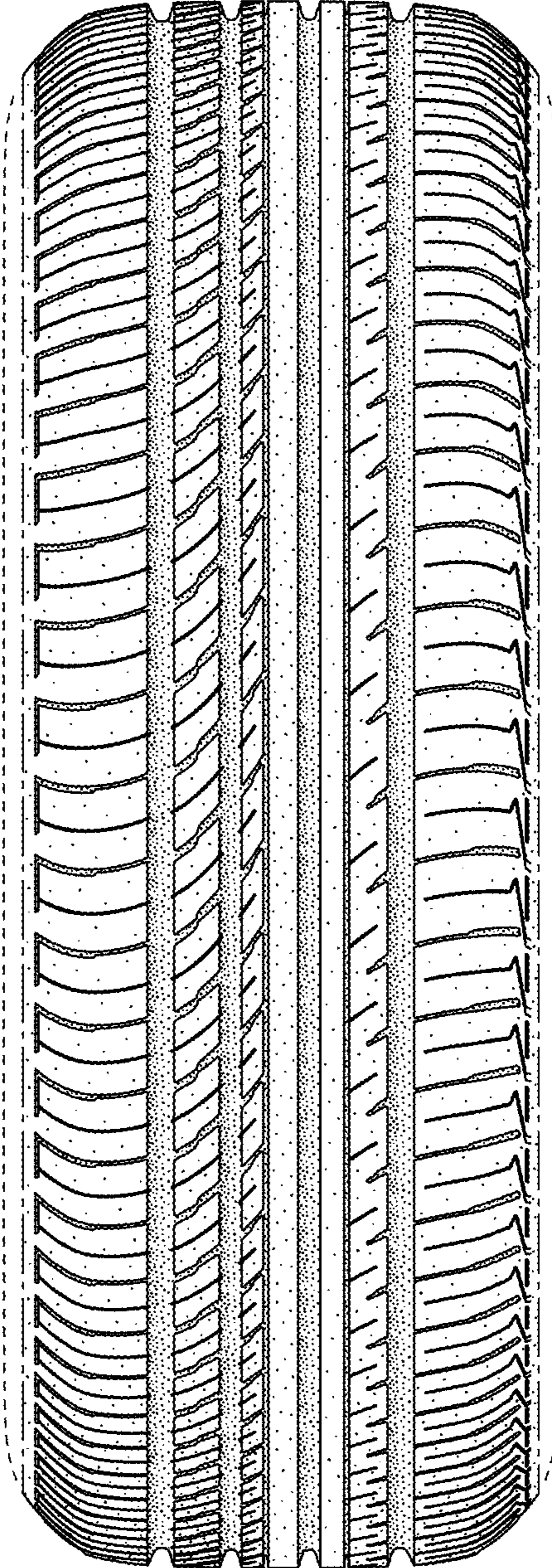


FIG. 7

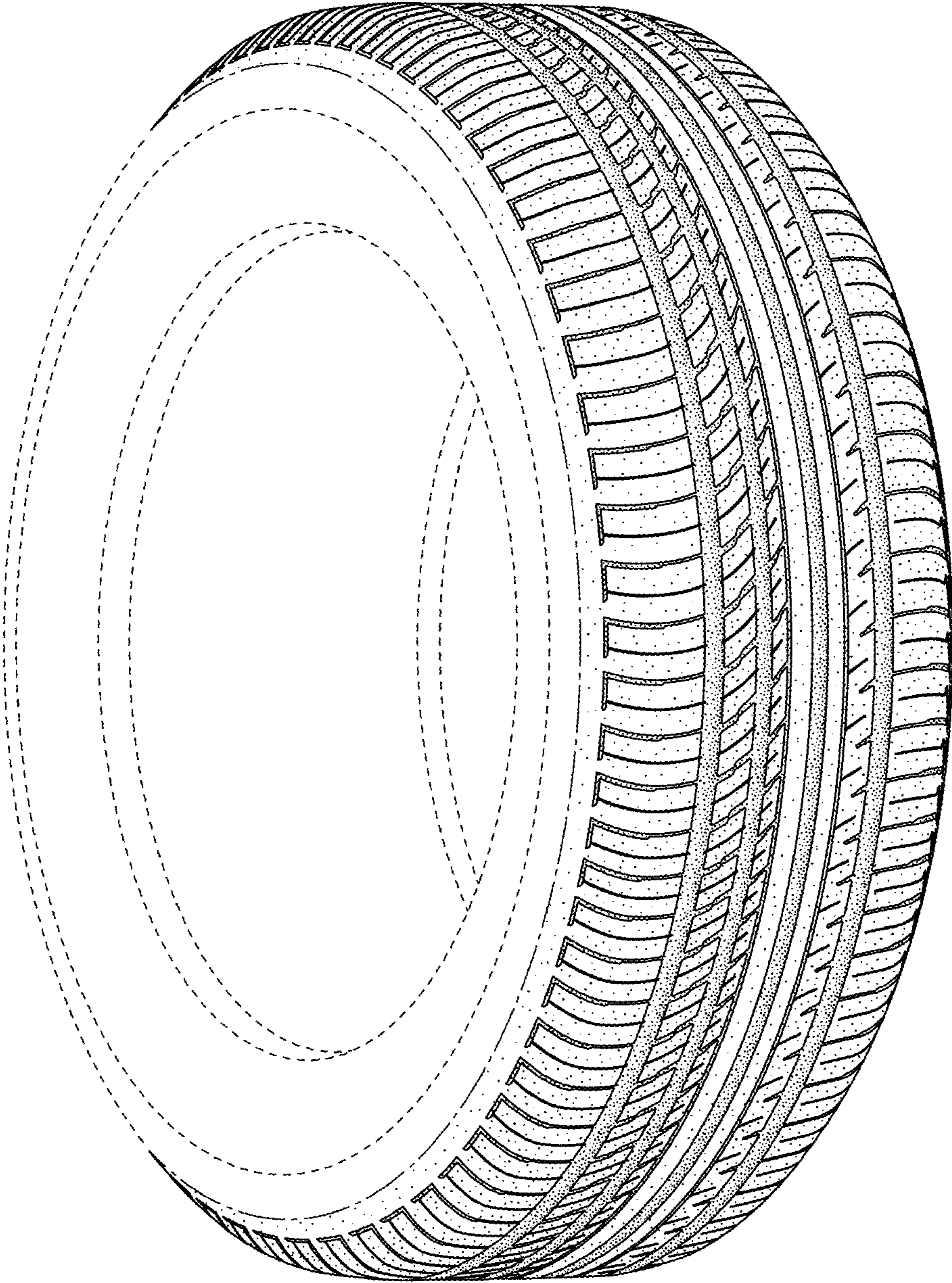


FIG. 8

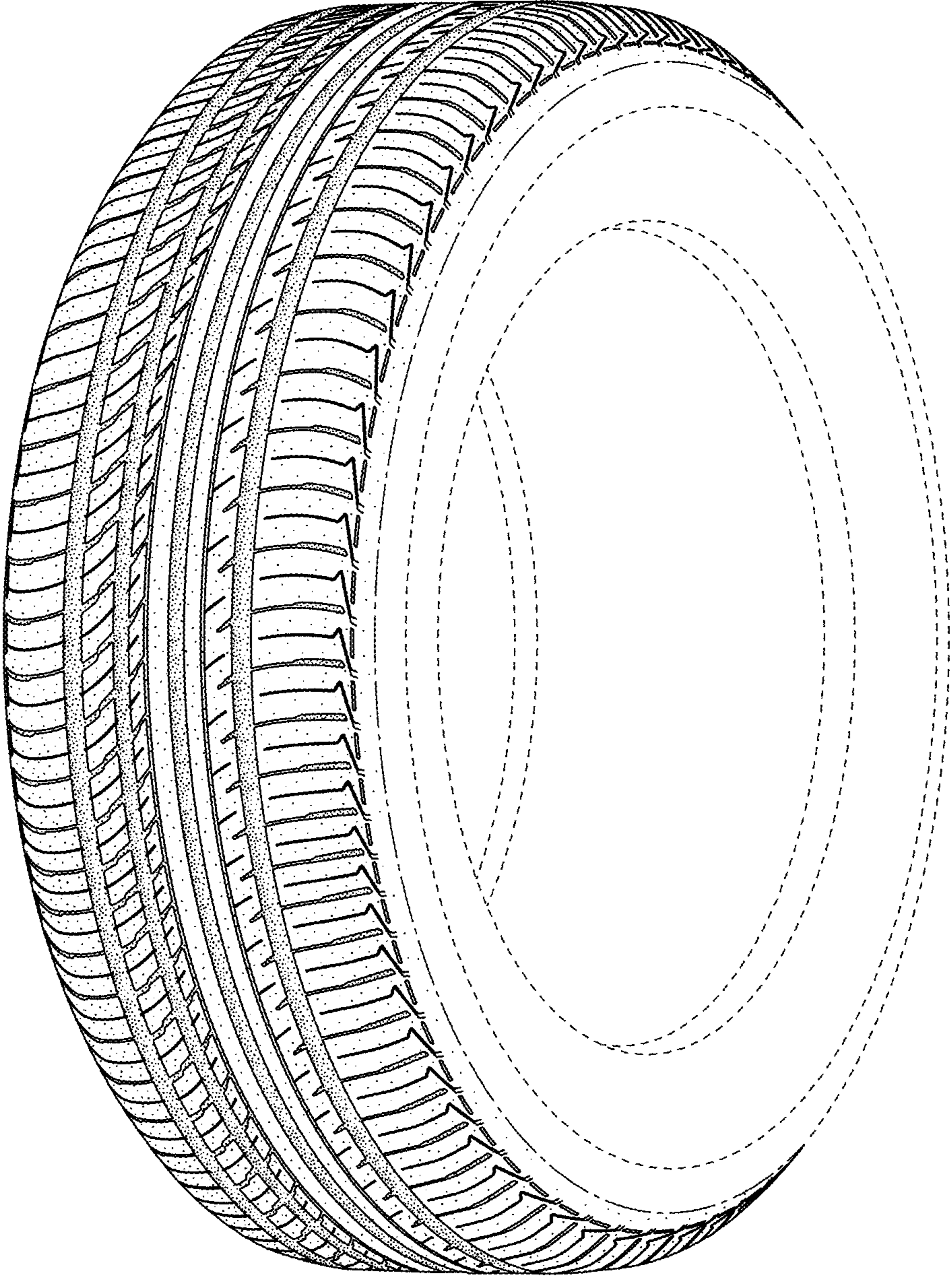


FIG. 9

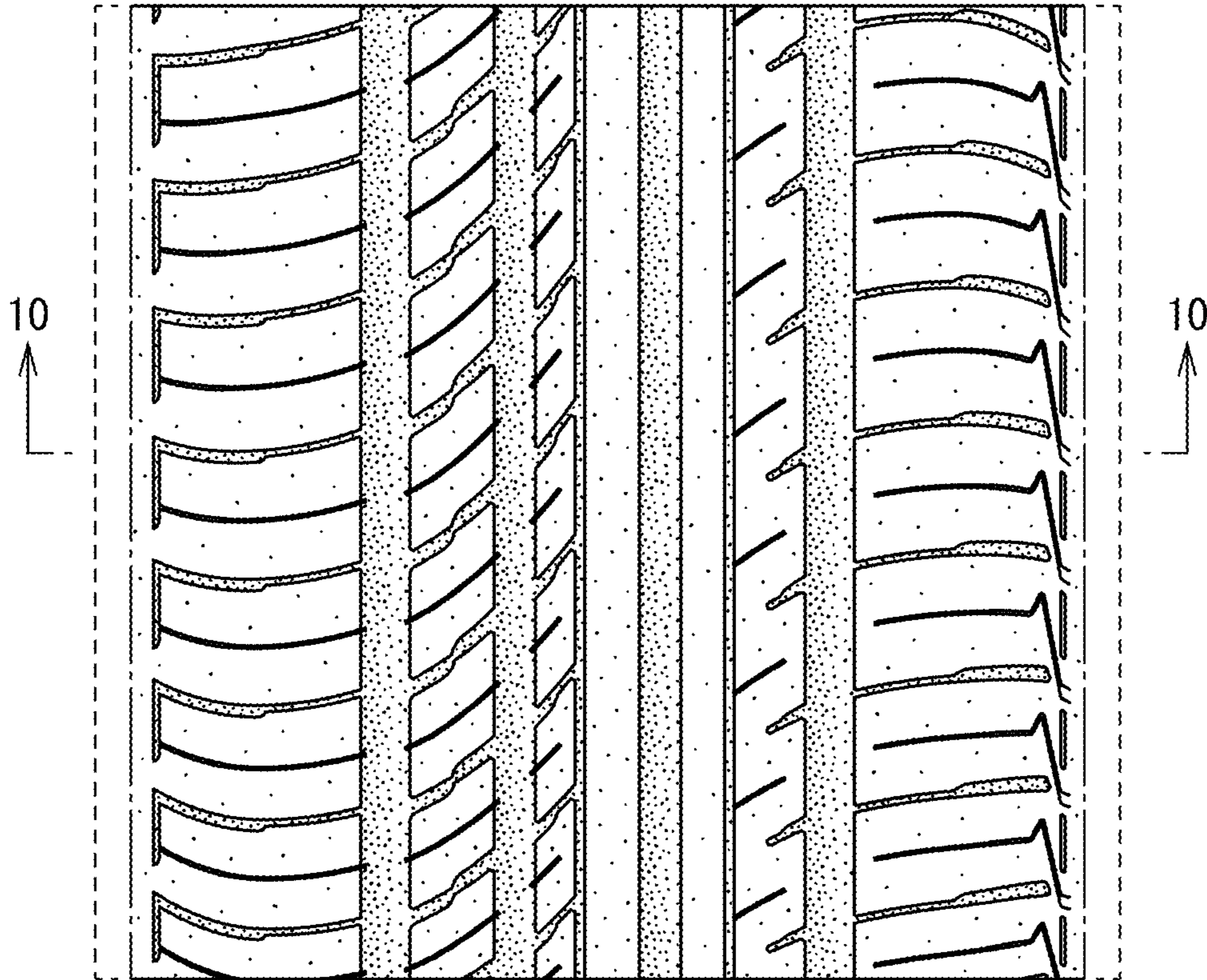


FIG. 10

