



US00D836531S

(12) **United States Design Patent**  
**Michel**

(10) **Patent No.:** **US D836,531 S**

(45) **Date of Patent:** **\*\* Dec. 25, 2018**

(54) **MOORING DEVICE**

(71) Applicant: **Glen Michel**, Jerome, MI (US)

(72) Inventor: **Glen Michel**, Jerome, MI (US)

(\*\*) Term: **15 Years**

(21) Appl. No.: **29/616,953**

(22) Filed: **Sep. 11, 2017**

(51) **LOC (11) Cl.** ..... **12-06**

(52) **U.S. Cl.**  
USPC ..... **D12/317**

(58) **Field of Classification Search**  
USPC ..... D12/215, 317; D8/1, 356, 373  
CPC ..... B63B 21/00; B63B 21/26; B63B 21/267;  
B63B 2021/001; B63B 2021/003; B63B  
2021/004; B63B 2021/007; E02D 5/801  
See application file for complete search history.

(56) **References Cited**

U.S. PATENT DOCUMENTS

- 3,381,925 A \* 5/1968 Higuchi ..... B60P 7/0807  
410/116
- 3,670,686 A \* 6/1972 Reynolds ..... B63B 21/26  
114/230.13
- 4,297,963 A \* 11/1981 Beacom ..... E02B 3/24  
114/218
- 4,630,982 A \* 12/1986 Fenner ..... B61D 45/001  
410/102
- 4,751,892 A \* 6/1988 Sechel ..... B63B 21/00  
114/221 R

- D317,896 S \* 7/1991 Oslund ..... D12/317
- 5,941,191 A \* 8/1999 Dysarz ..... E02B 3/24  
114/218
- 6,295,942 B1 \* 10/2001 Leonardson ..... B63B 21/04  
114/218
- D478,036 S \* 8/2003 Nunn ..... D12/317
- 6,647,911 B1 \* 11/2003 Solterbeck ..... B63B 21/04  
114/230.26
- D733,533 S \* 7/2015 Hodges ..... D8/356
- 2010/0224116 A1 \* 9/2010 Schlotterback ..... B63B 21/00  
114/230.26
- 2015/0000580 A1 \* 1/2015 Blake ..... B63B 21/54  
114/230.15

\* cited by examiner

*Primary Examiner* — Cynthia M. Chin  
(74) *Attorney, Agent, or Firm* — Mitchell Law PLLC;  
Matthew W. Mitchell

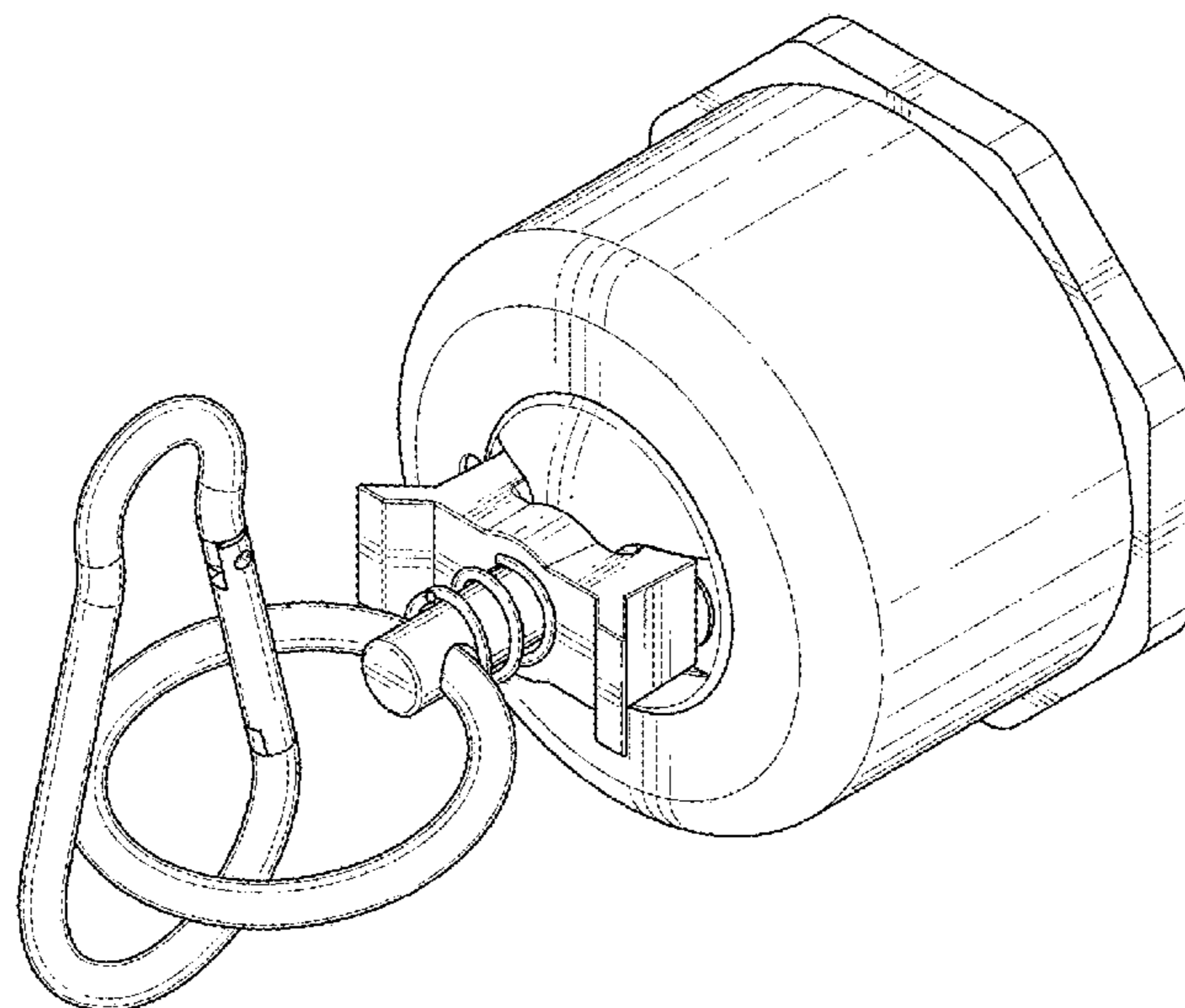
(57) **CLAIM**

The ornamental design for a mooring device, as shown.

**DESCRIPTION**

FIG. 1 is an isometric view of the mooring device of the present invention;  
FIG. 2 is a top view of the invention;  
FIG. 3 is a bottom view of the invention;  
FIG. 4 is a side view of the invention of, as seen from the right side of FIG. 6;  
FIG. 5 is a side view of the invention, as seen from the left side of FIG. 6; and,  
FIG. 6 is a front view of the invention.

**1 Claim, 6 Drawing Sheets**



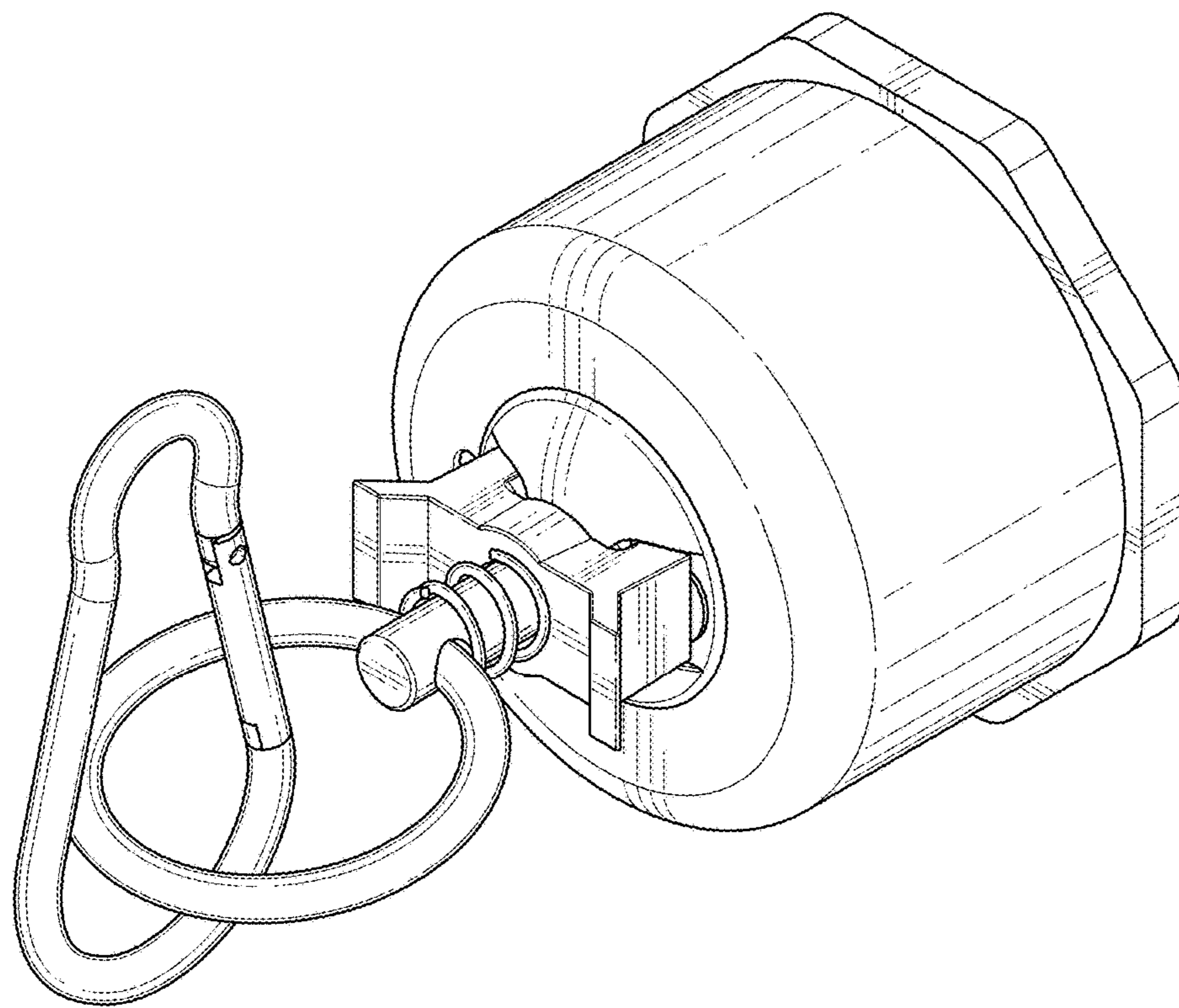


FIG. 1

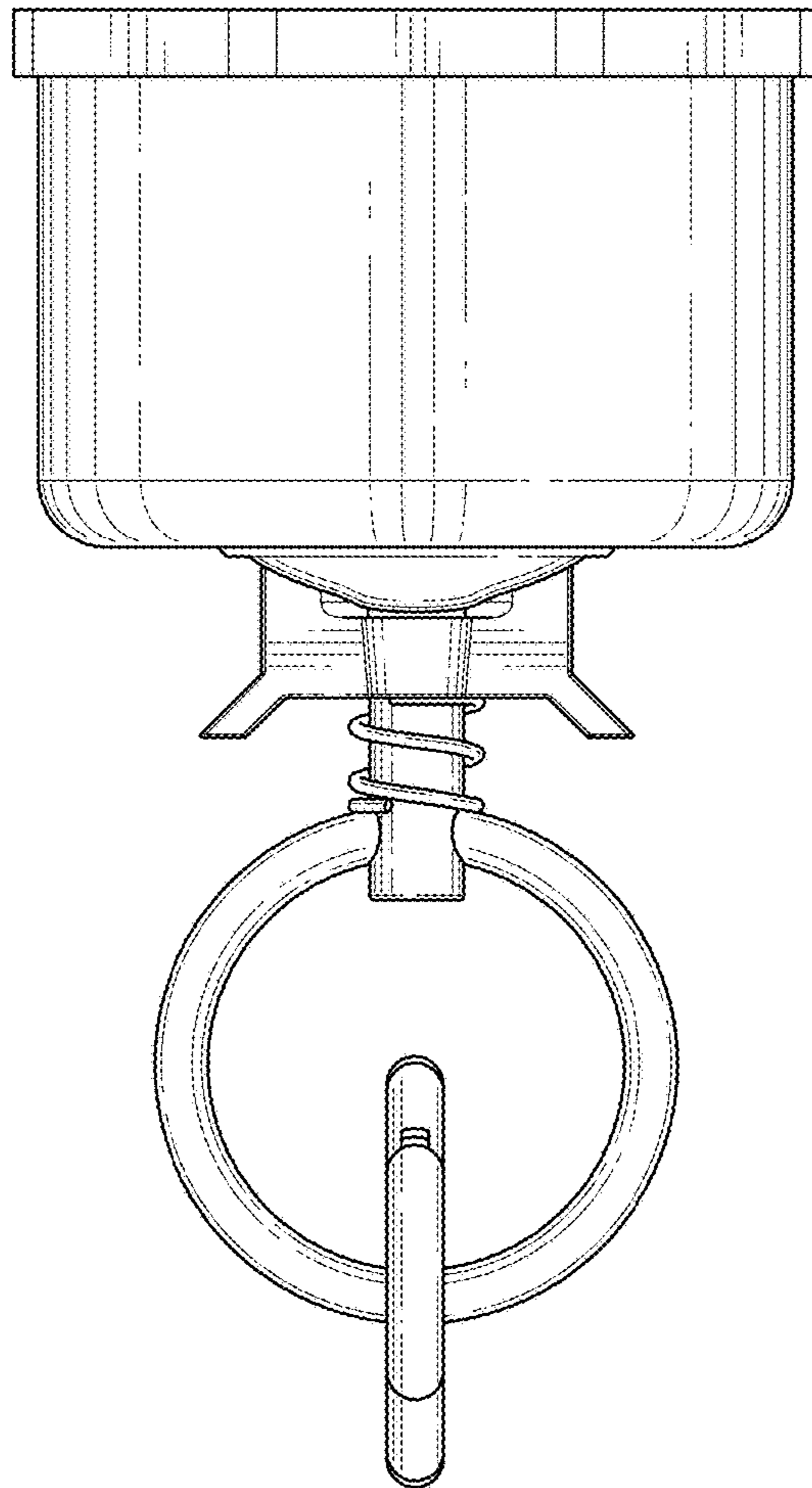


FIG. 2

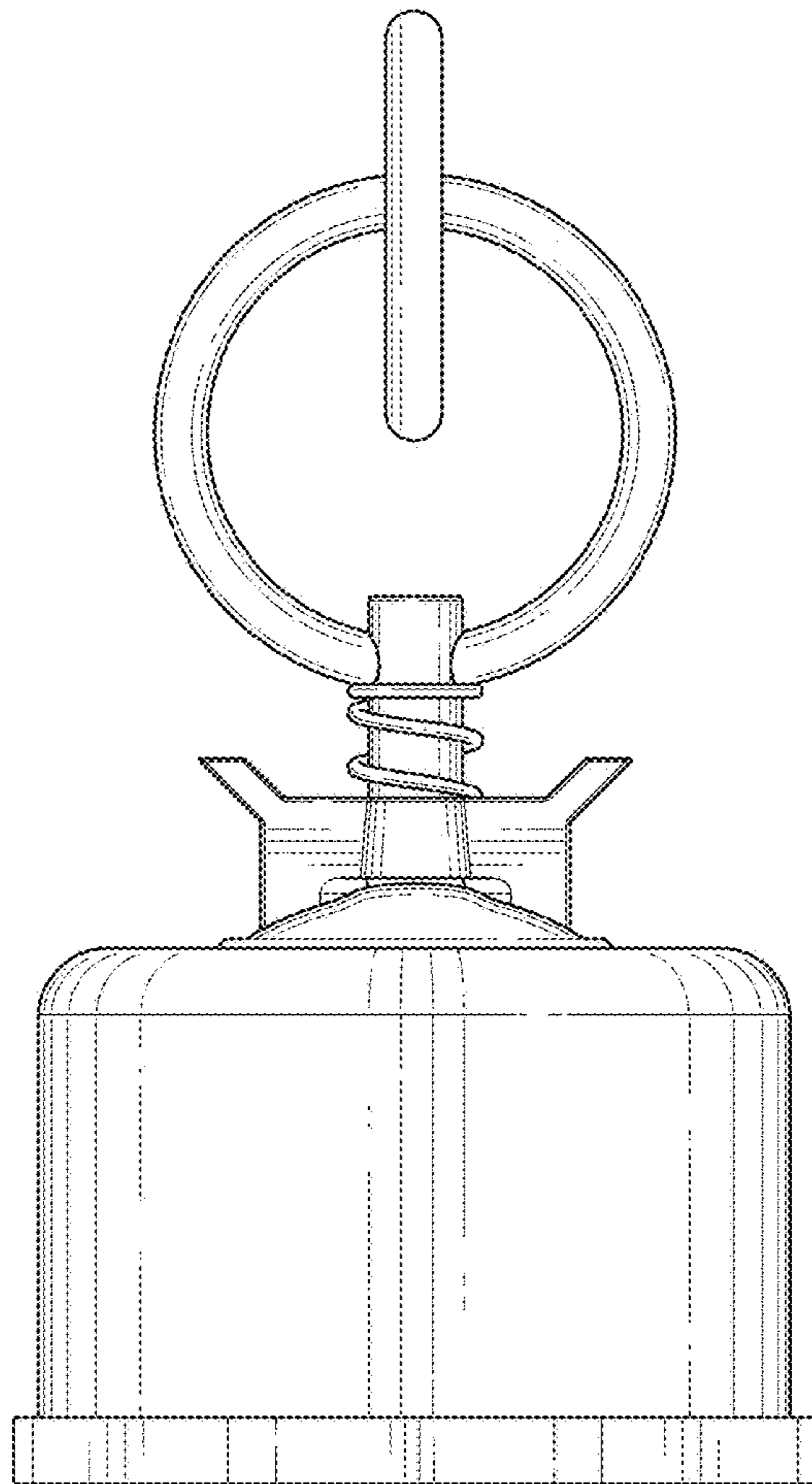


FIG. 3

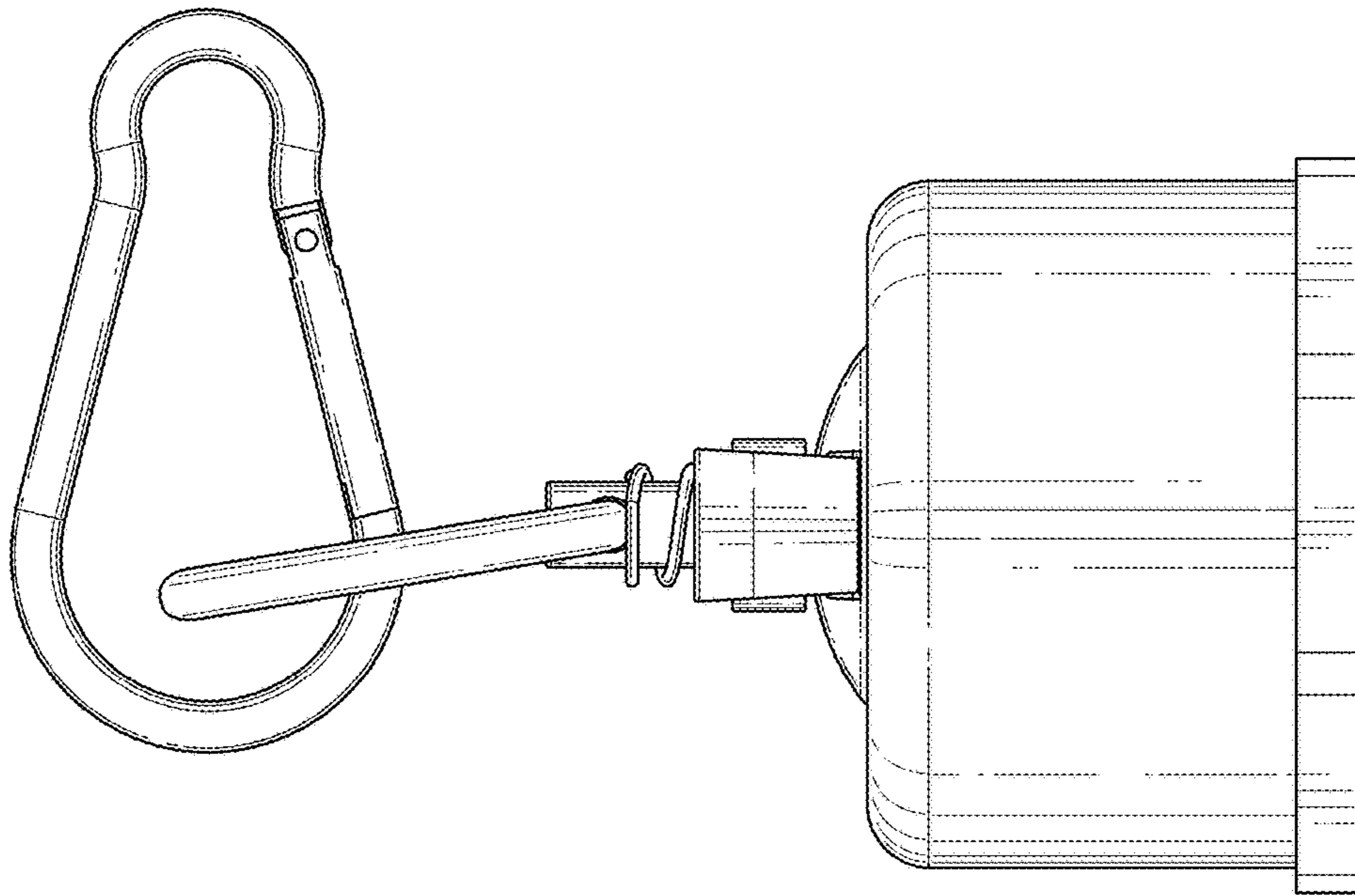


FIG. 4



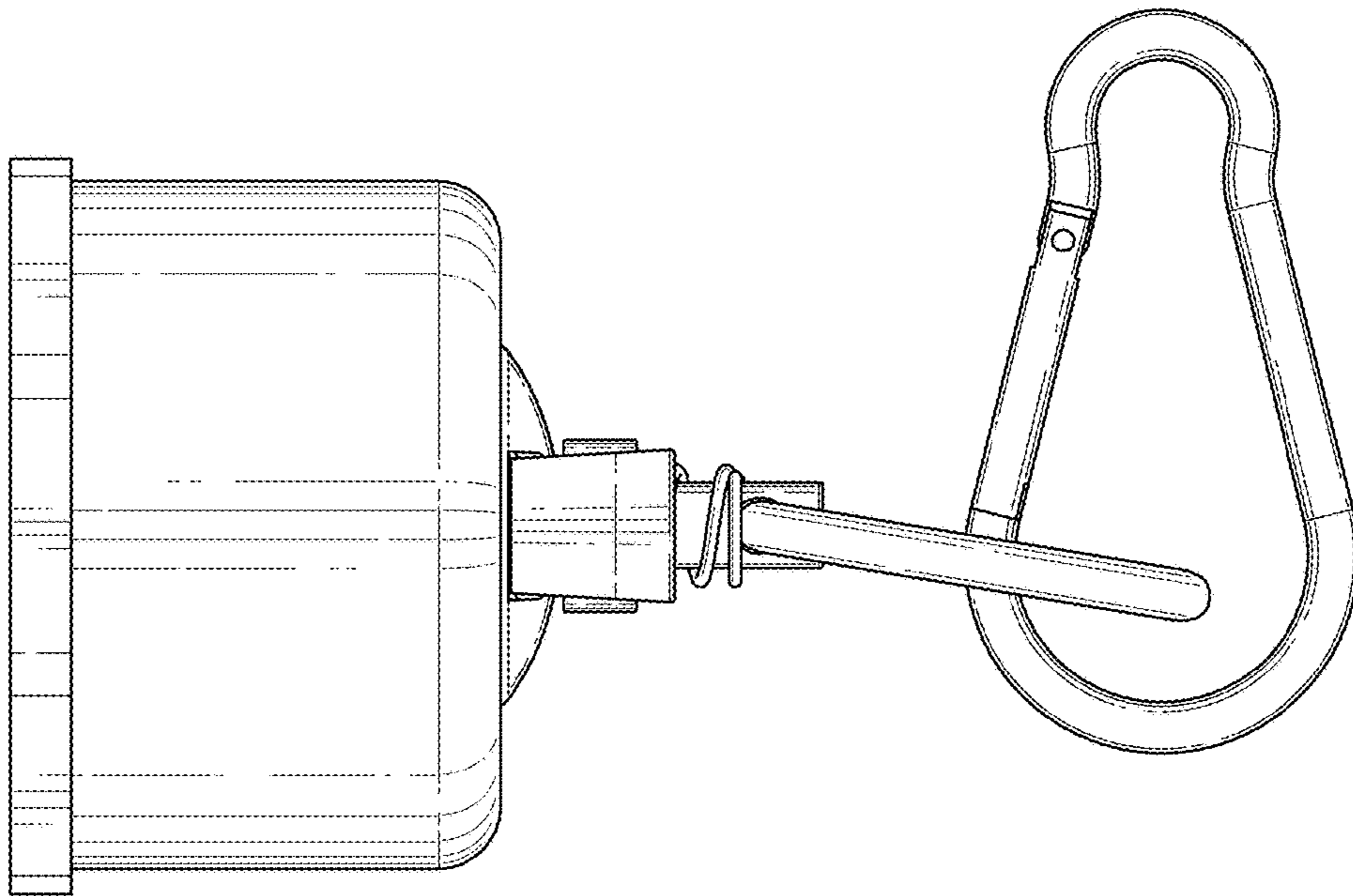


FIG. 5

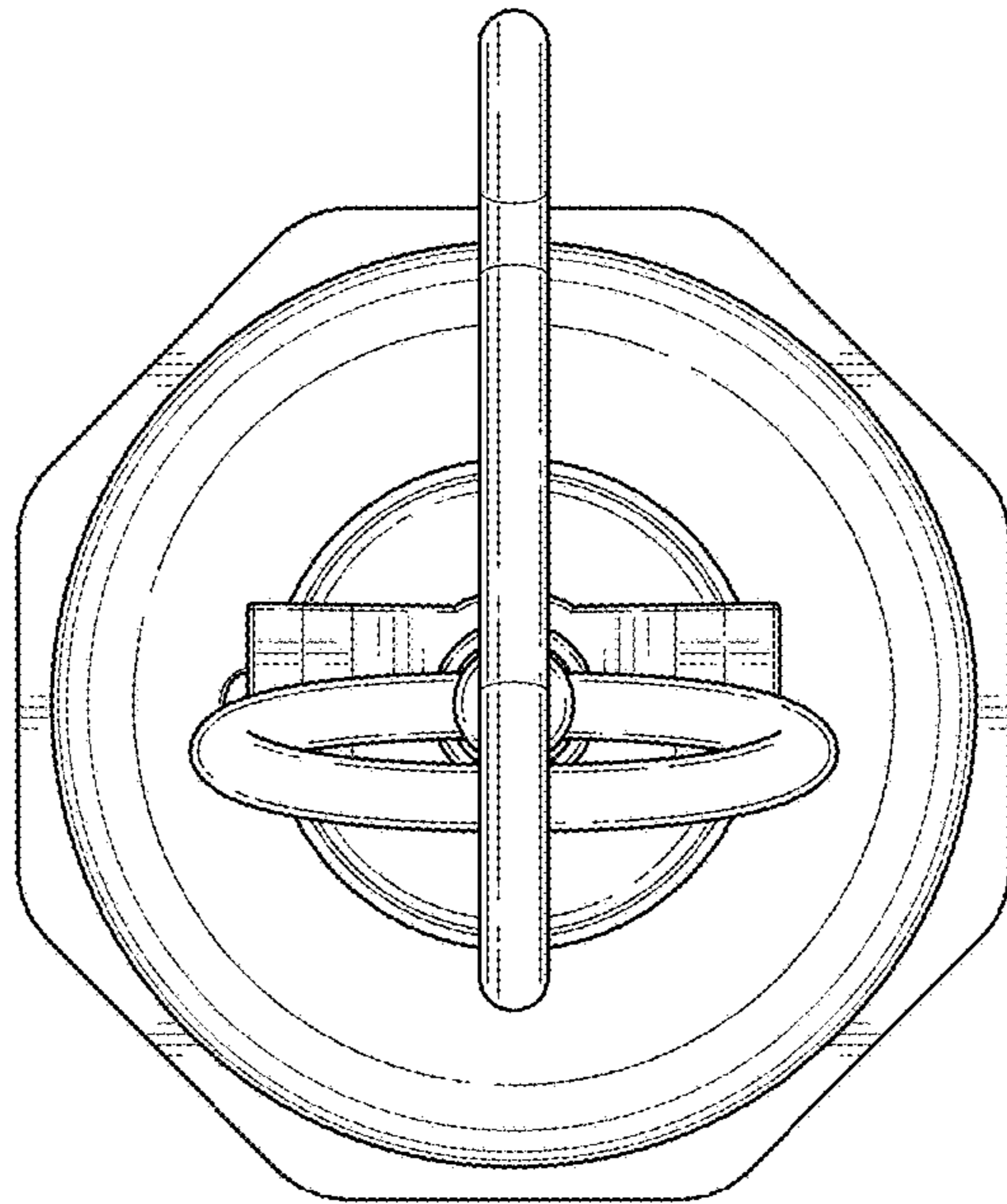


FIG. 6