



US00D836529S

(12) **United States Design Patent** (10) **Patent No.:** **US D836,529 S**
Feng et al. (45) **Date of Patent:** **** Dec. 25, 2018**

(54) **GRAB HANDLE FOR JEEP-TYPE UTILITY VEHICLE**
(71) Applicants: **Haoyu Feng**, Sunnyvale, CA (US); **Dan Xiong**, Sunnyvale, CA (US)
(72) Inventors: **Haoyu Feng**, Sunnyvale, CA (US); **Dan Xiong**, Sunnyvale, CA (US)
(73) Assignee: **Touching Design LLC**, Sunnyvale, CA (US)
(**) Term: **15 Years**
(21) Appl. No.: **29/600,643**
(22) Filed: **Apr. 13, 2017**
(51) **LOC (11) Cl.** **12-16**
(52) **U.S. Cl.**
USPC **D12/222**
(58) **Field of Classification Search**
USPC D12/88, 90, 91, 190, 196, 222, 401, 403, D12/418; D9/434, 435; D6/611; 296/1.02, 181.1, 181.5
CPC B60J 1/2002
See application file for complete search history.

6,554,033 B2 * 4/2003 Hydon A45C 13/26
150/154
D549,778 S 8/2007 Kent et al.
D605,508 S * 12/2009 Chen D9/434
D621,326 S * 8/2010 Bauer D12/222
D654,952 S 2/2012 Laemle
D665,025 S 8/2012 Li et al.
D692,483 S 10/2013 Laemle
8,955,197 B2 * 2/2015 Bailey A45F 5/102
16/406
8,967,899 B1 3/2015 Chu et al.
D764,838 S * 8/2016 Walsh D6/611
D767,388 S * 9/2016 Slovis D3/315
D783,315 S * 4/2017 Gourley D6/611
D809,827 S * 2/2018 Carr D6/611
2011/0203078 A1 * 8/2011 Farrow, Sr. A47K 17/024
16/429
2013/0145581 A1 * 6/2013 Bailey A45F 5/102
16/422
2013/0341947 A1 * 12/2013 Huelke B60N 3/023
296/1.02
2017/0096051 A1 * 4/2017 Gibbs B60J 1/2002
2017/0319880 A1 * 11/2017 Yang A62B 35/0068
(Continued)

FOREIGN PATENT DOCUMENTS

DE 202007002719 4/2007
Primary Examiner — Ian Simmons
Assistant Examiner — Yolanda Robinson

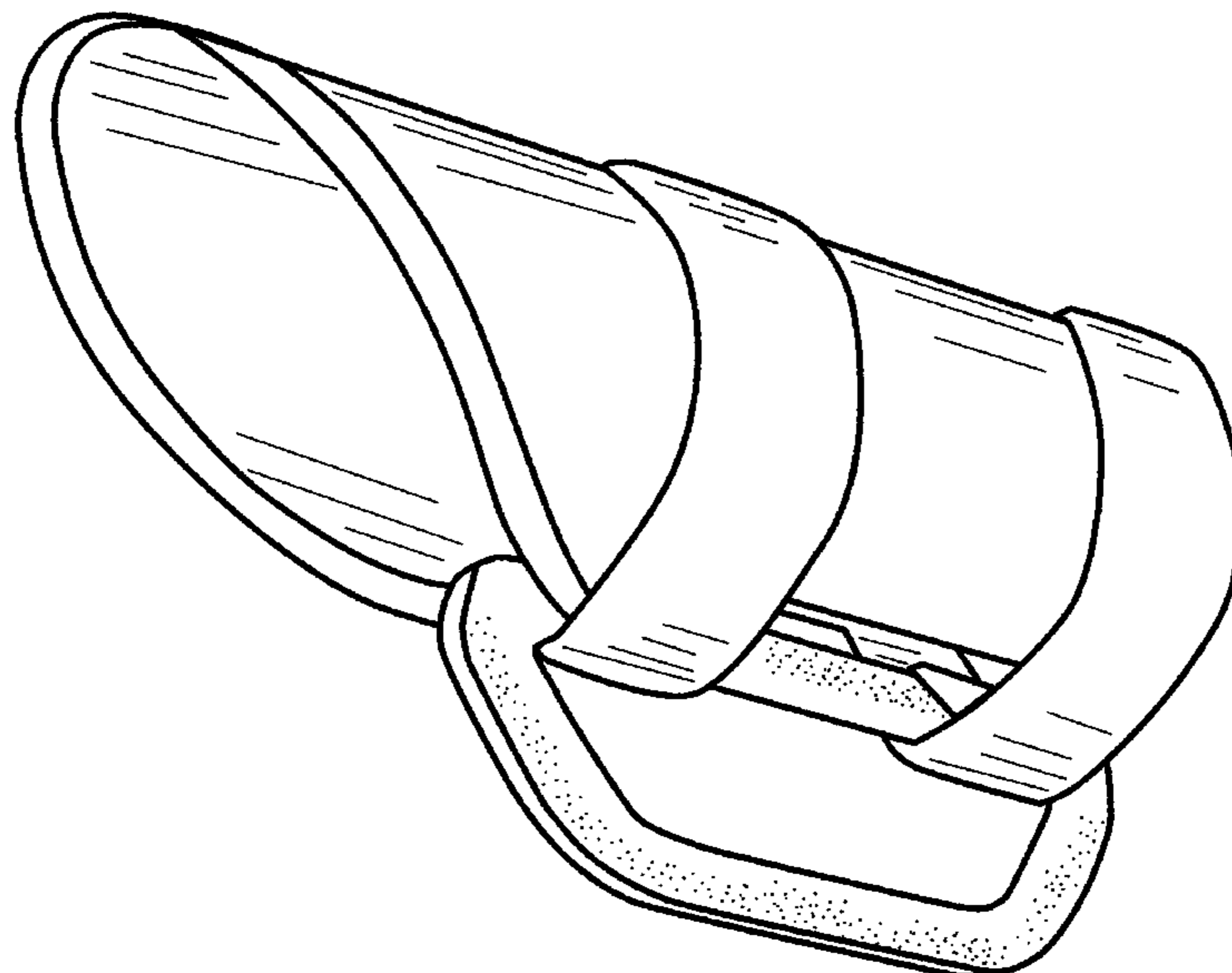
(56) **References Cited**
U.S. PATENT DOCUMENTS
5,487,582 A * 1/1996 Bourgeois A45F 5/1046
16/DIG. 12
D367,633 S * 3/1996 Monette D12/190
5,635,682 A 6/1997 Cherdak et al.
5,718,454 A * 2/1998 Harrod B60R 21/13
280/756
5,927,524 A * 7/1999 Miller A61J 9/08
206/459.5
6,131,213 A * 10/2000 Sarff A47K 3/003
211/105.1
D466,786 S * 12/2002 Bourgeois D8/107

(57) **CLAIM**
We claim the ornamental design for a grab handle of jeep-type utility vehicle, as shown and described.

DESCRIPTION

FIG. 1 is a perspective view of my grab handle for jeep-type utility vehicle design;
FIG. 2 is another perspective view thereof;
FIG. 3 is a right side view thereof; and,
FIG. 4 is a left view thereof.

1 Claim, 4 Drawing Sheets



(56)

References Cited

U.S. PATENT DOCUMENTS

2017/0349037 A1* 12/2017 Singer B60J 7/041
2017/0354122 A1* 12/2017 Watts A01K 15/025

* cited by examiner

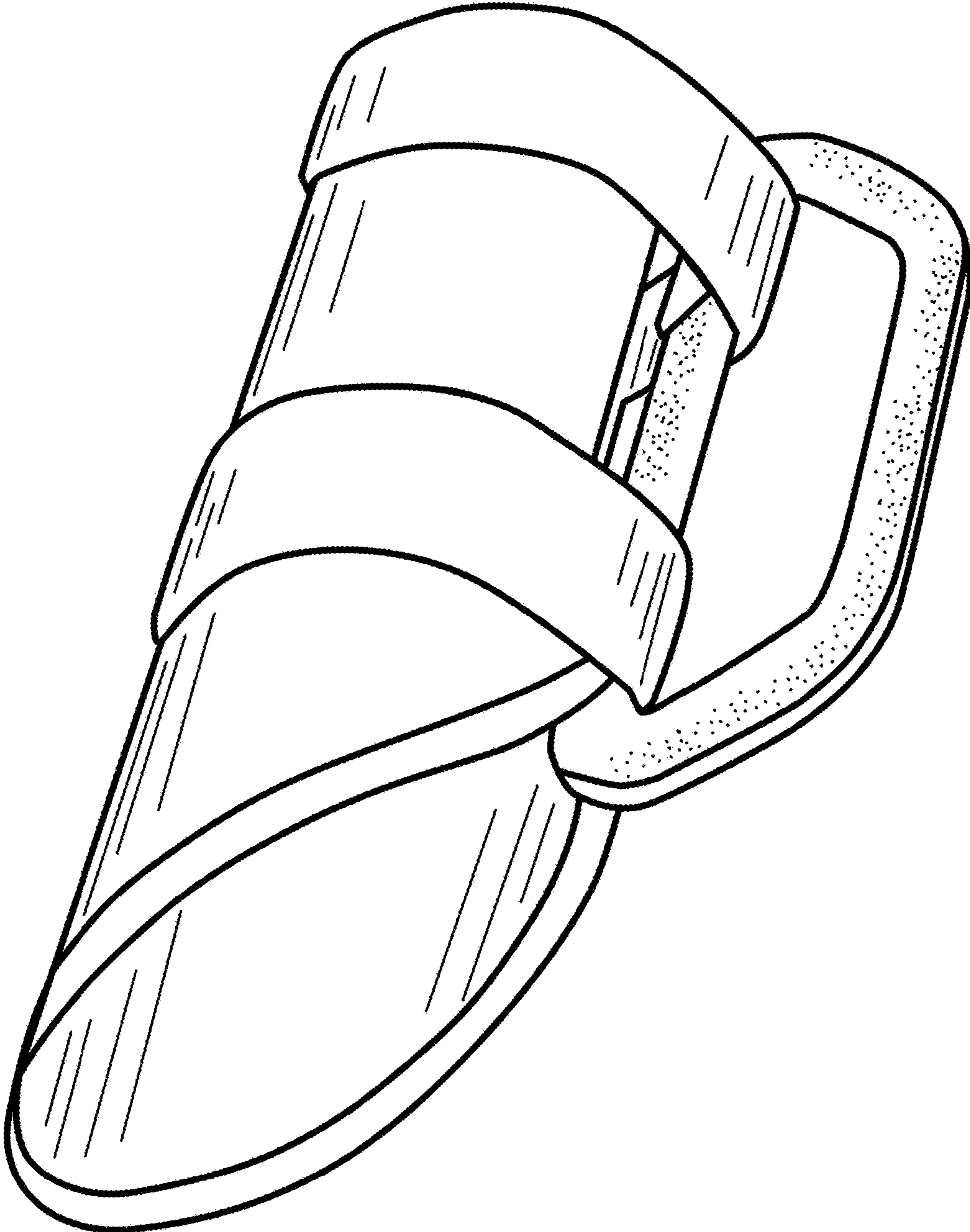


Fig. 1

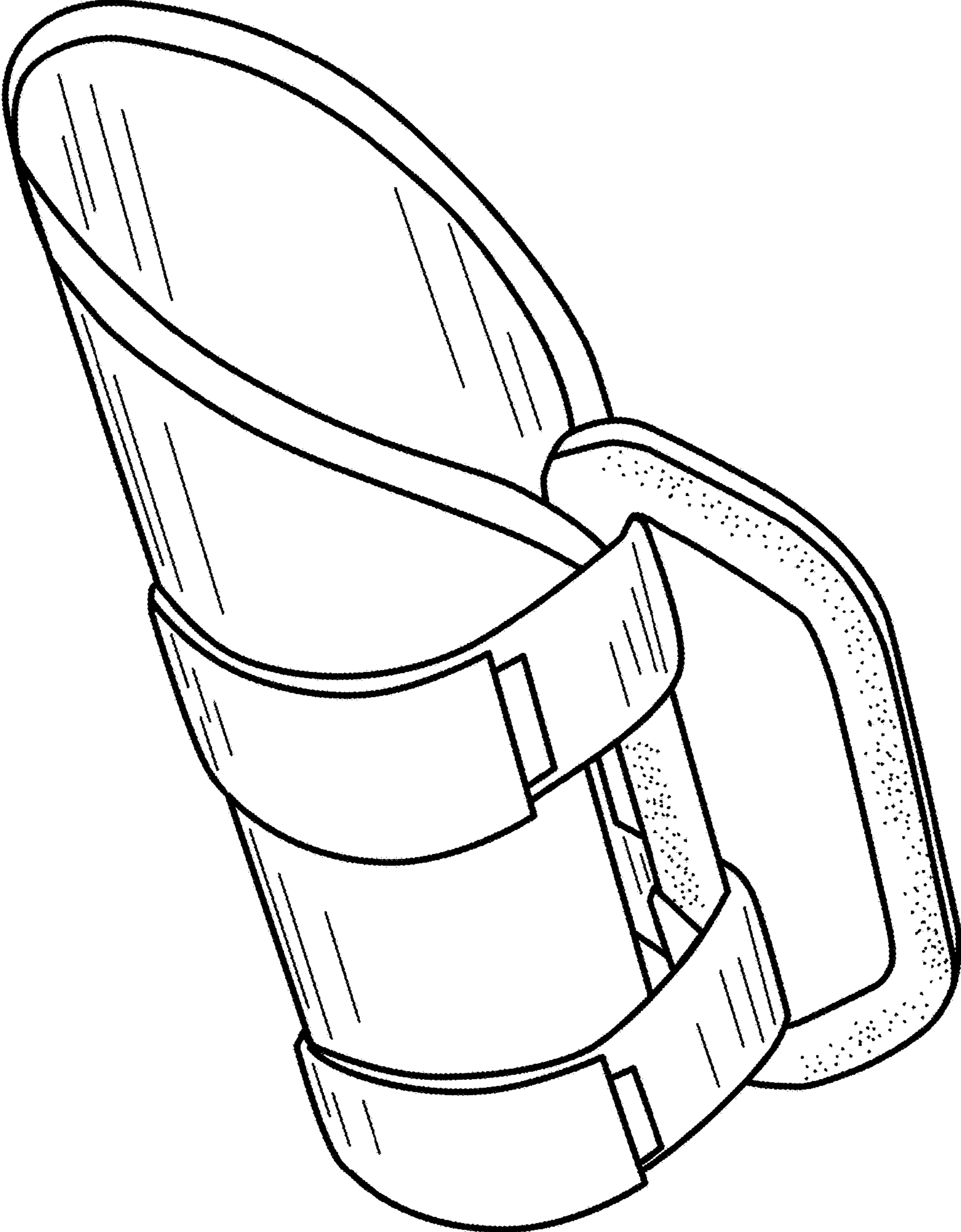


Fig. 2

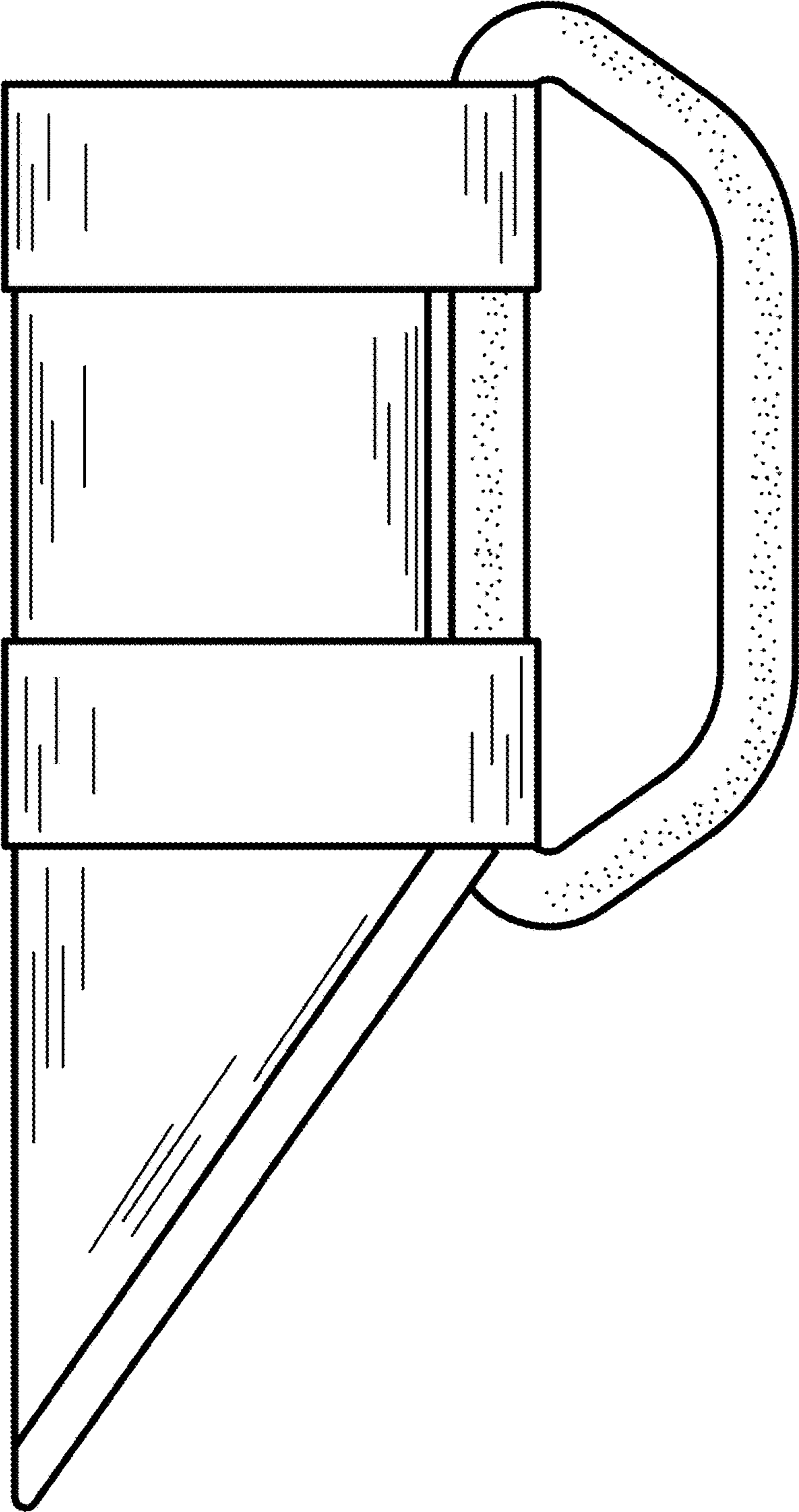


Fig. 3

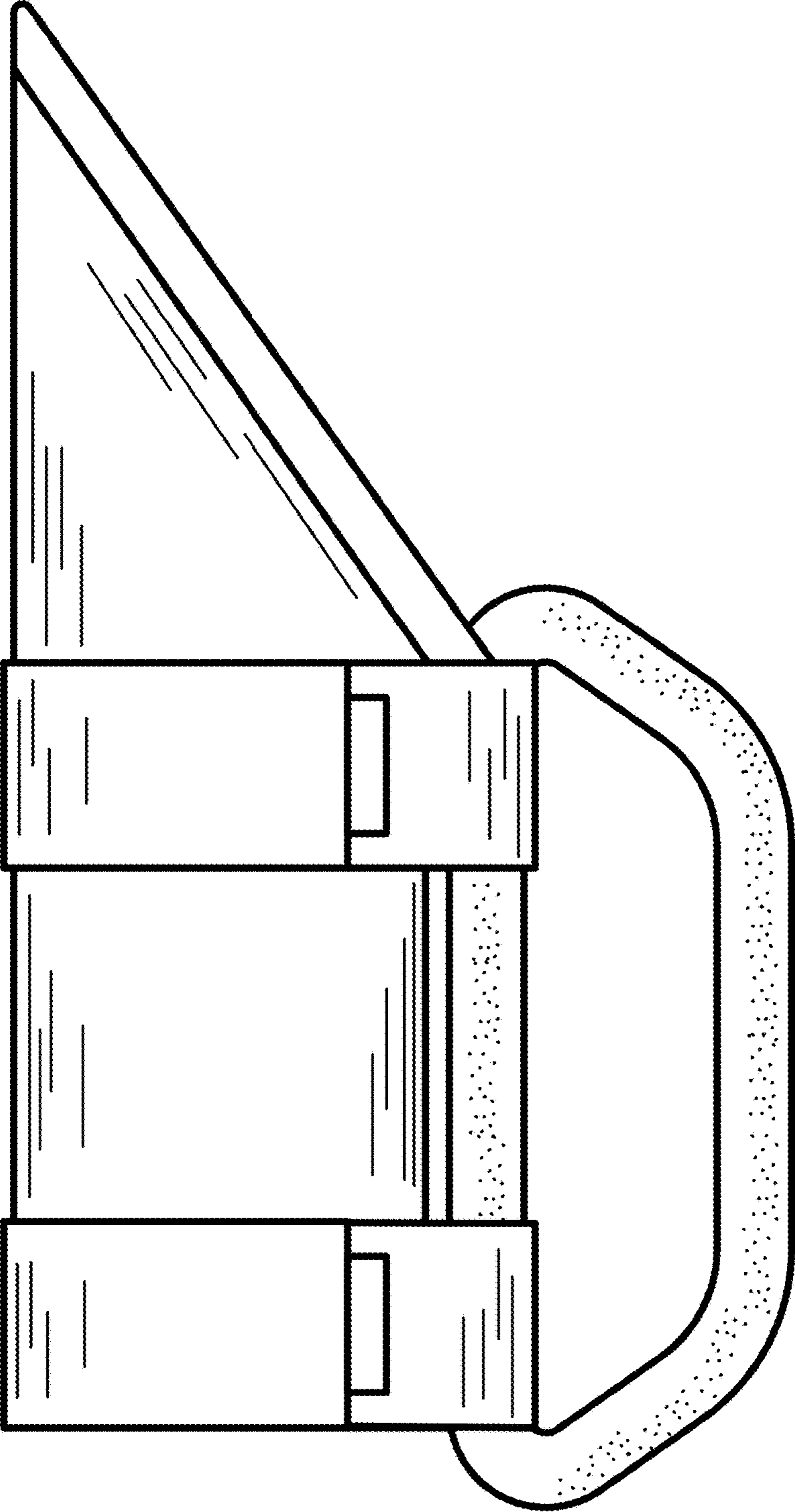


Fig. 4