



US00D836522S

(12) **United States Design Patent**  
**Prasad et al.**

(10) **Patent No.:** **US D836,522 S**  
(45) **Date of Patent:** **\*\* Dec. 25, 2018**

- (54) **RIBBED WHEEL**
- (71) Applicant: **ARCONIC INC.**, Pittsburgh, PA (US)
- (72) Inventors: **Santosh Prasad**, Murrysville, PA (US);  
**Henry Sklyut**, Delmont, PA (US);  
**Gabriele F. Ciccola**, Hudson, OH (US);  
**Grant DeGeorge**, Strongsville, OH (US);  
**Erin Fulton**, Irwin, PA (US);  
**Michael A. Pacek**, Freeport, PA (US);  
**James T. Burg**, Verona, PA (US);  
**Anton J. Rovito**, Parma, OH (US);  
**Courtney Carraher**, Bay Village, OH (US);  
**Christopher Au**, Hinckley, OH (US)

- D492,923 S 7/2004 Whitehead
- D504,378 S 4/2005 Grossenbacher et al.
- D519,433 S 4/2006 Finn
- D527,324 S 8/2006 Whitehead

(Continued)

**FOREIGN PATENT DOCUMENTS**

- AU 351934 1/2013
- AU 351933 11/2013

(Continued)

**OTHER PUBLICATIONS**

Wheel at <http://www.ntda.org/ntda/News/tabid/59/post/east-announces-alcoa-s-ultra-one-wheel-as-standard-on-all-east-trailers/Default.aspx>, published on Feb. 4, 2014.

(Continued)

*Primary Examiner* — Sheryl Lane

*Assistant Examiner* — Calvin E Vansant

(74) *Attorney, Agent, or Firm* — Greenberg Traurig, LLP

(73) Assignee: **Arconic Inc.**, Pittsburgh, PA (US)

(\*\*) Term: **15 Years**

(21) Appl. No.: **29/631,467**

(22) Filed: **Dec. 29, 2017**

(51) **LOC (11) Cl.** ..... **12-16**

(52) **U.S. Cl.**  
USPC ..... **D12/209**

(58) **Field of Classification Search**  
USPC ..... D12/204–213; D21/533, 561, 563  
CPC .... B60B 7/00; B60B 7/01; B60B 7/02; B60B 7/04; B60B 7/06; B60B 7/063; B60B 3/02; B60B 3/04; B60B 3/06; B60B 3/10; B60B 1/00; B60B 1/08; B60B 1/10; B60B 1/12

See application file for complete search history.

(57) **CLAIM**

The ornamental design for a ribbed wheel, as shown and described.

**DESCRIPTION**

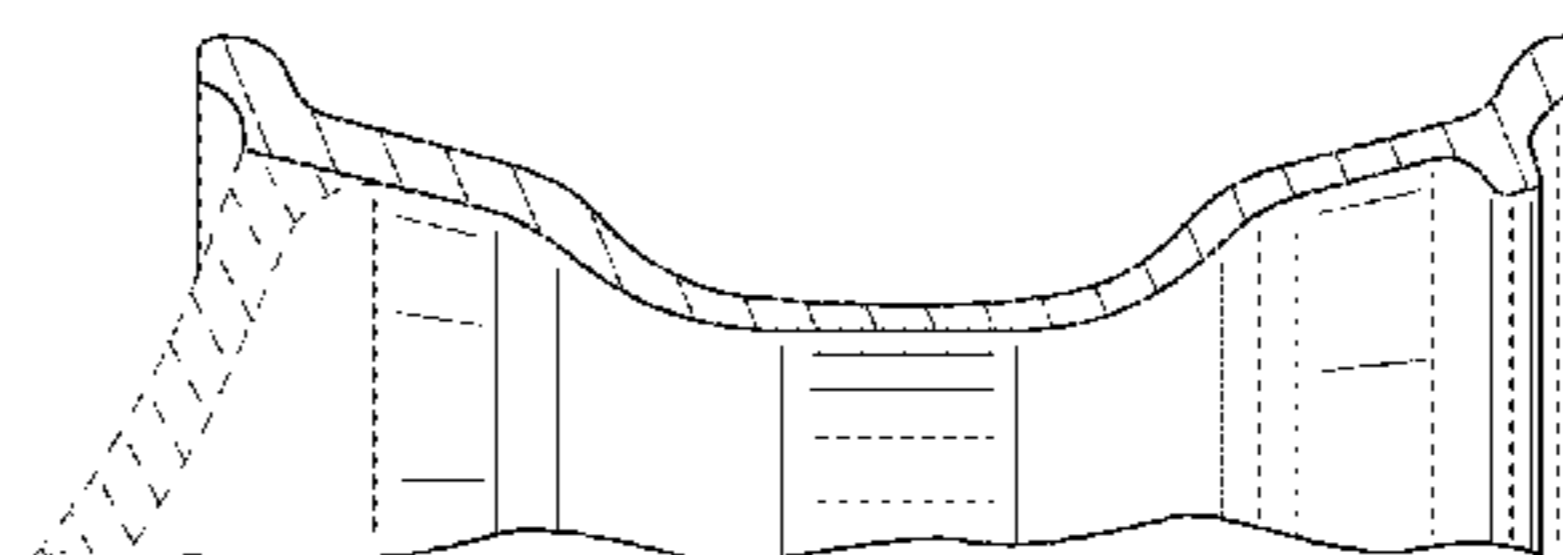
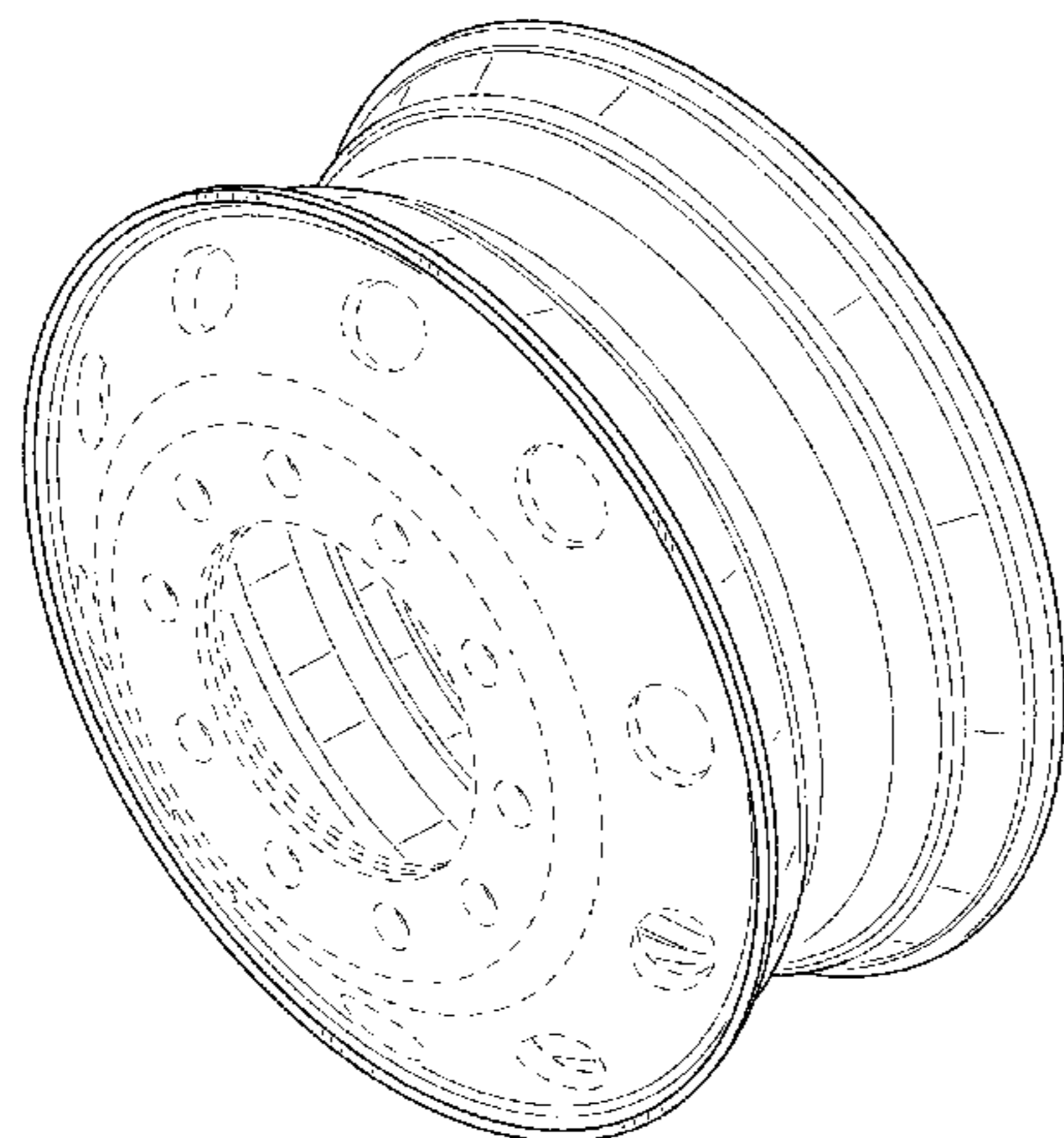
FIG. 1 is a front perspective view of the ribbed wheel. FIG. 2 is a rear perspective view of the ribbed wheel. FIG. 3 is a front view of the ribbed wheel. FIG. 4 is a back view of the ribbed wheel. FIG. 5 is a side view of the ribbed wheel. FIG. 6 is a top view of the ribbed wheel. FIG. 7 is a bottom view of the ribbed wheel; and, FIG. 8 is a cross-sectional view of the ribbed wheel, for clarity of disclosure, taken at Line 8-8 shown in FIG. 6. The broken lines in the figures show portions illustrating environmental structures of the ribbed wheel that form no part of the claimed design.

(56) **References Cited**

**U.S. PATENT DOCUMENTS**

- 3,302,275 A 2/1967 Turpin
- D284,753 S 7/1986 Hedlund
- D327,466 S 6/1992 Lipper
- D358,797 S 5/1995 Botterman
- 6,138,355 A \* 10/2000 Grassi ..... B23K 20/129 228/114

**1 Claim, 8 Drawing Sheets**



(56)

**References Cited**

U.S. PATENT DOCUMENTS

D598,835	S	8/2009	DeGeorge	
9,032,600	B2	5/2015	Pulphus	
D773,974	S *	12/2016	DeGeorge	..... D12/208
D810,645	S *	2/2018	Sklyut	..... D12/204
2015/0217599	A1 *	8/2015	Zehnder	..... B60B 25/12 301/29.2
2016/0001593	A1 *	1/2016	Gielisch	..... B60B 7/02 301/37.11

FOREIGN PATENT DOCUMENTS

CA	104173	1/2005	
CA	167267	2/2017	
JP	2004082811	A *	3/2004 ..... B60B 3/02
JP	2009-051248		3/2009
JP	1540615		12/2015

OTHER PUBLICATIONS

Wheel at <https://worldindustrialreporter.com/alcoa-develops-new-dura-bright-evo-wheel-with-enhanced-durability-and-easy-maintenance/>, published Jan. 27, 2014.

Wheel at <http://www.moderntiredealer.com/news/399994/accuride-wheels-aim-to-reduce-flange-wear>, published on Jun. 9, 2014.

Commonly owned Design U.S. Appl. No. 29/631,444, filed Dec. 29, 2017, entitled "Wheel Having Internal Groove".

Commonly owned Design U.S. Appl. No. 29/631,455, filed Dec. 29, 2017 entitled "Ribbed Wheel".

Commonly owned Design U.S. Appl. No. 29/631,442, filed Dec. 29, 2017, entitled "Wheel Having Internal Scalloped Groove".

Commonly owned Design U.S. Appl. No. 29/631,449, filed Dec. 29, 2017, entitled "Ribbed Wheel".

\* cited by examiner

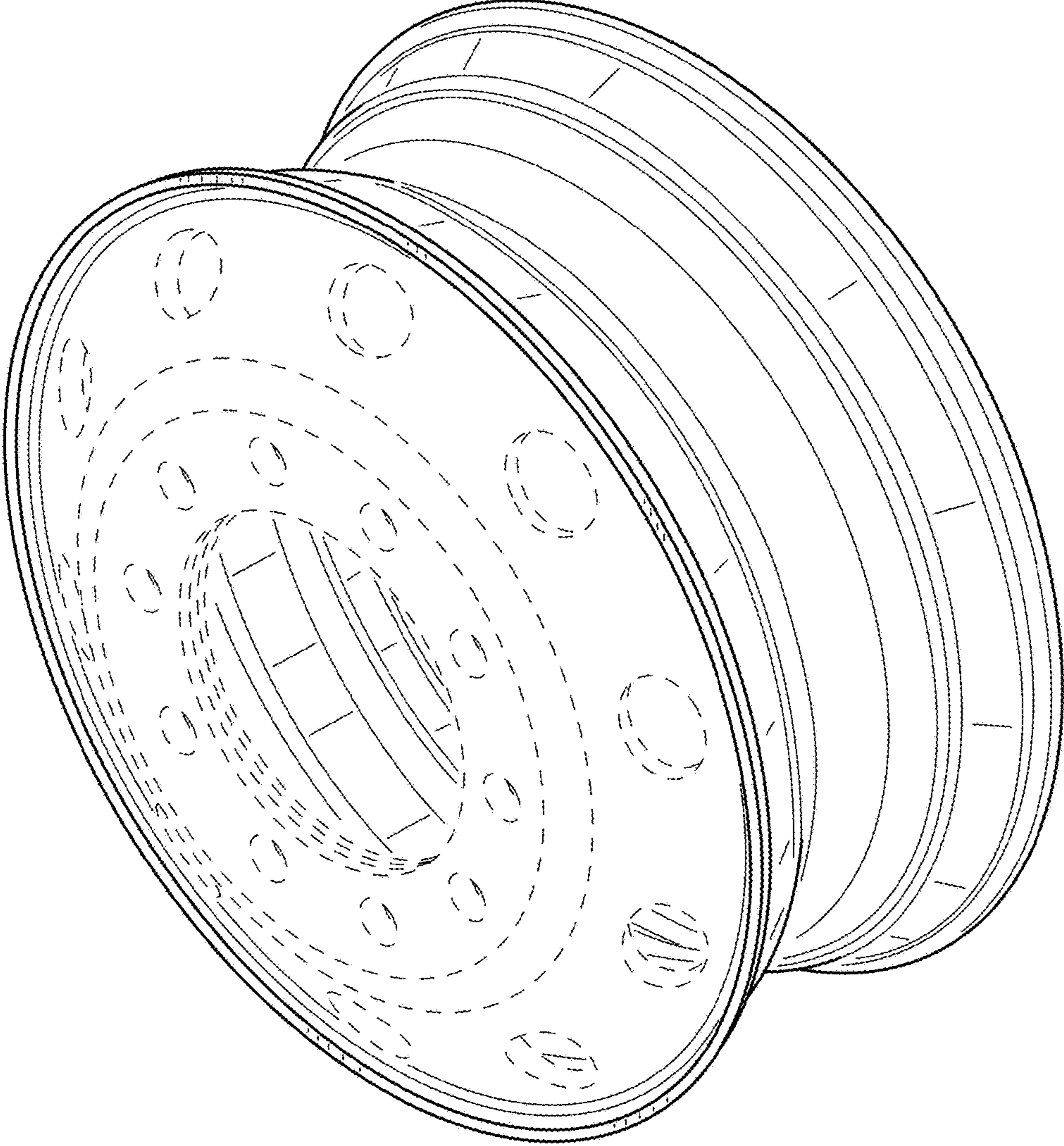


FIG.1

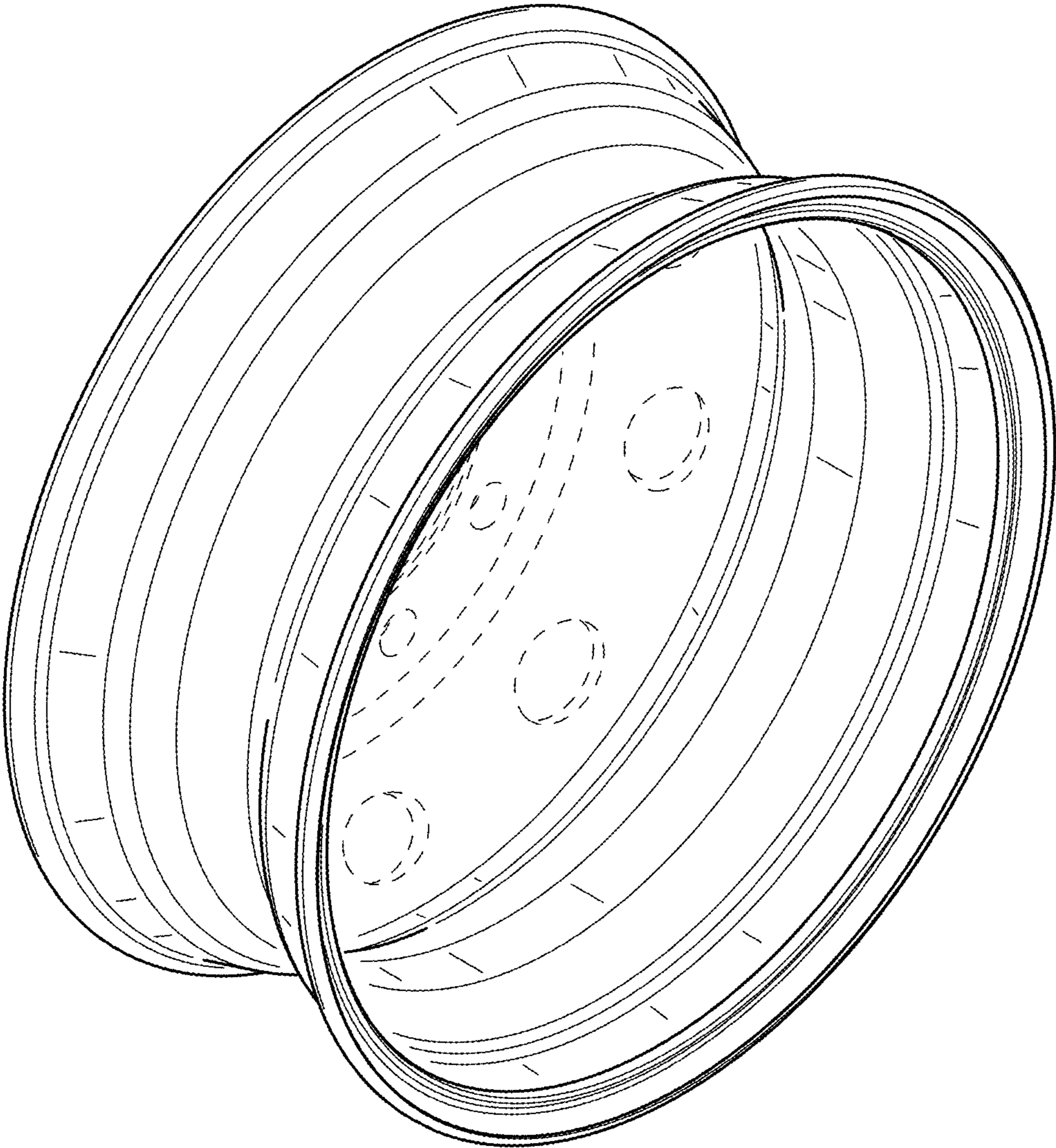


FIG.2

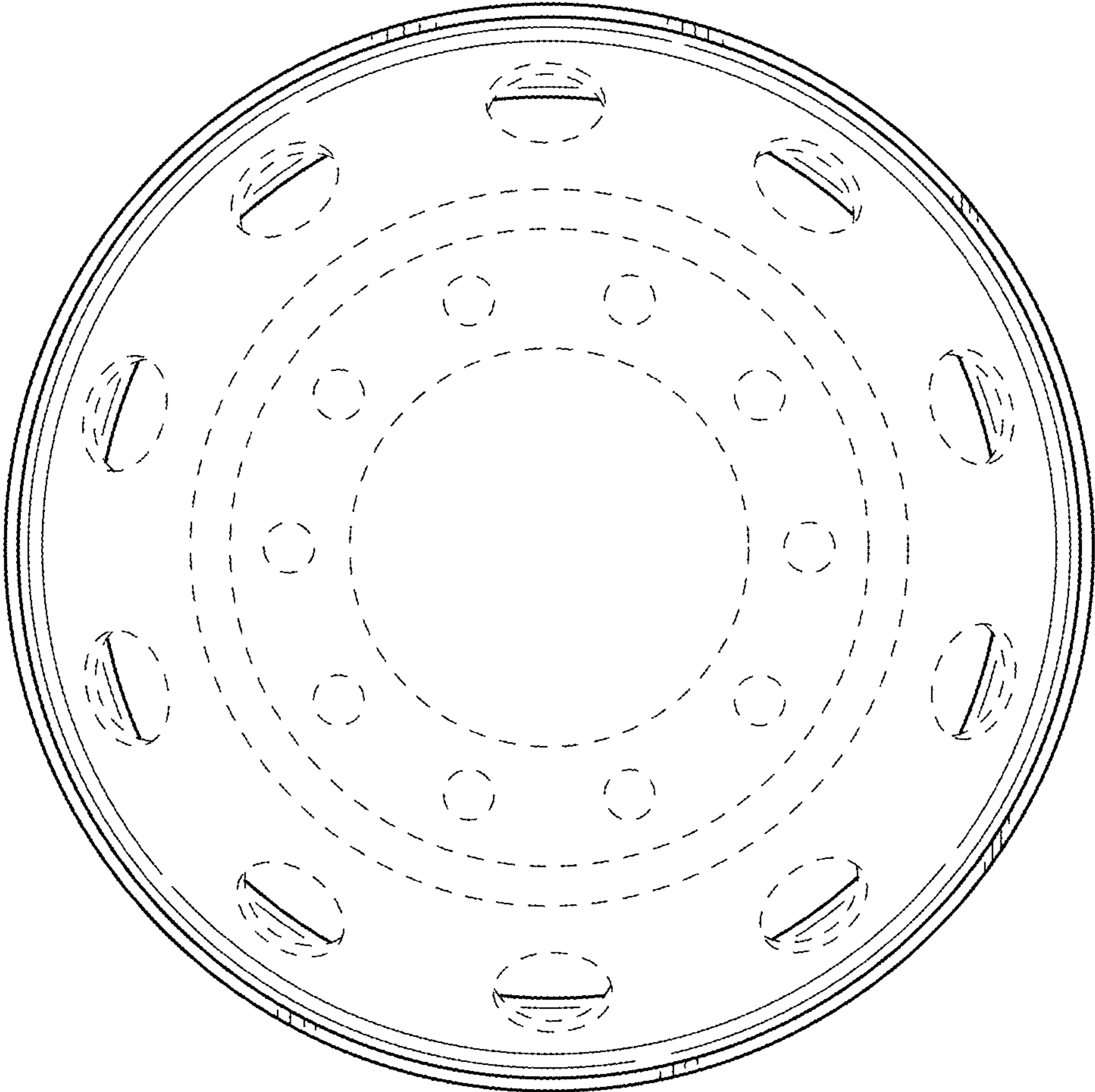


FIG.3

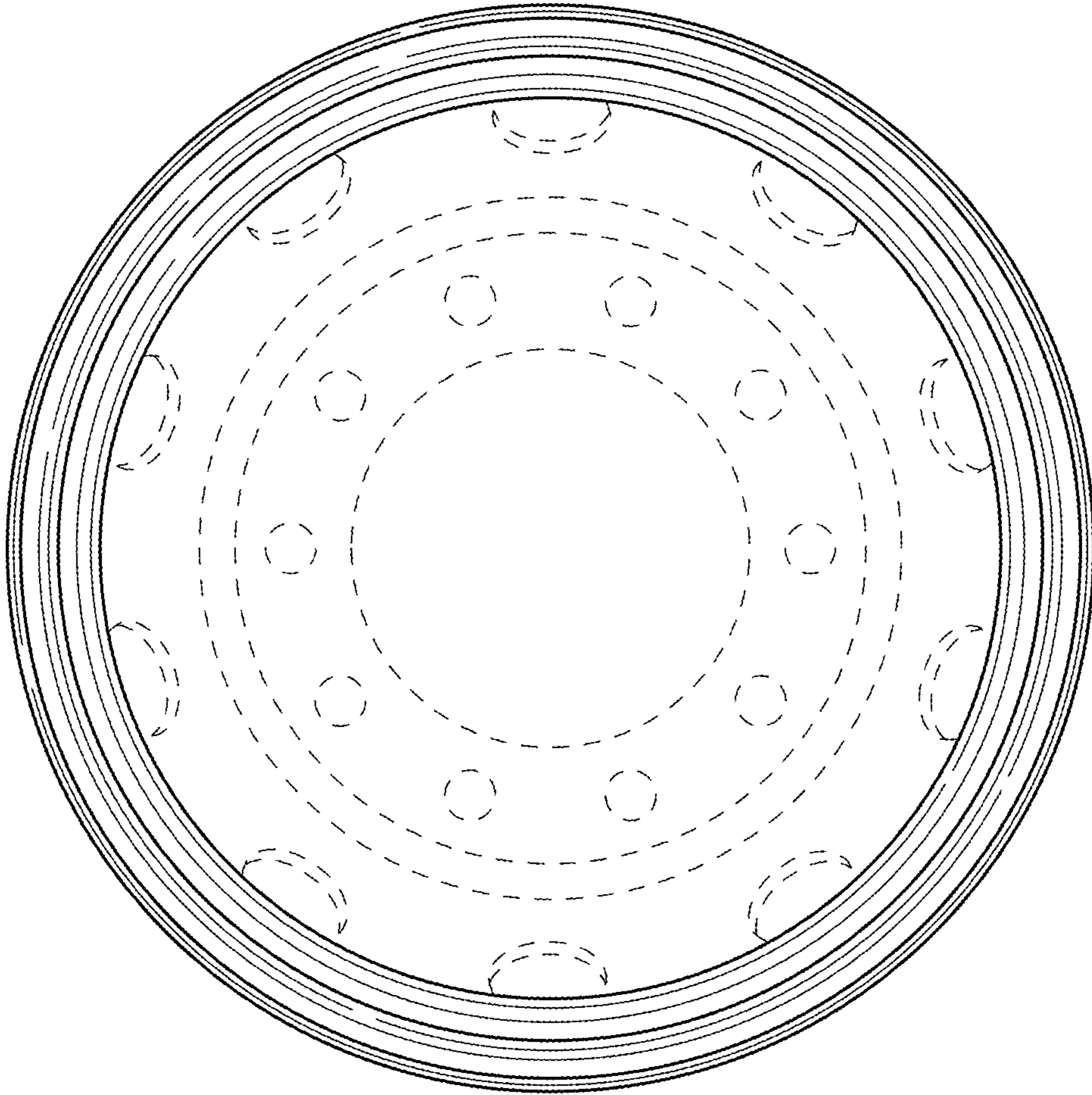


FIG.4

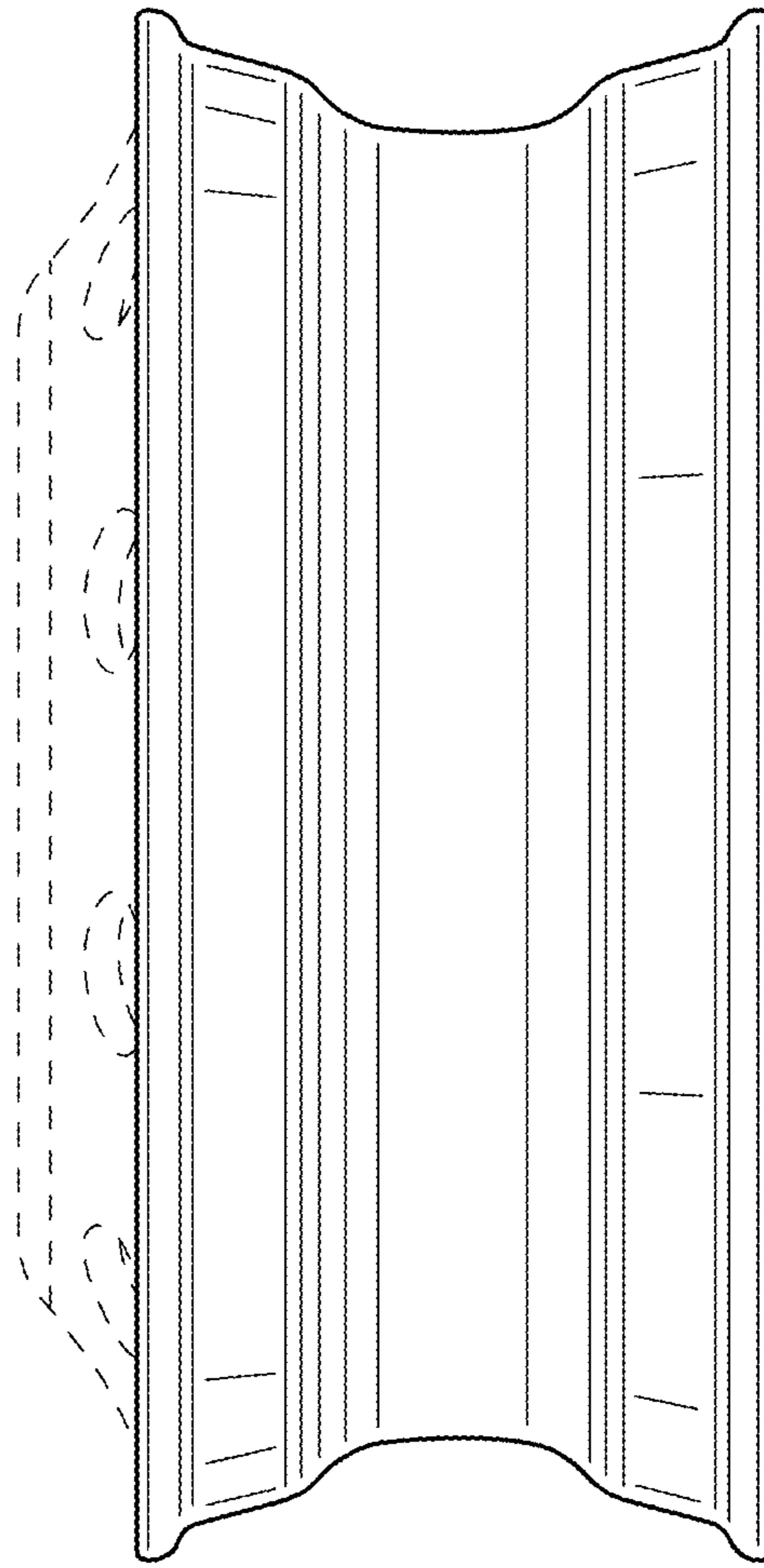


FIG.5

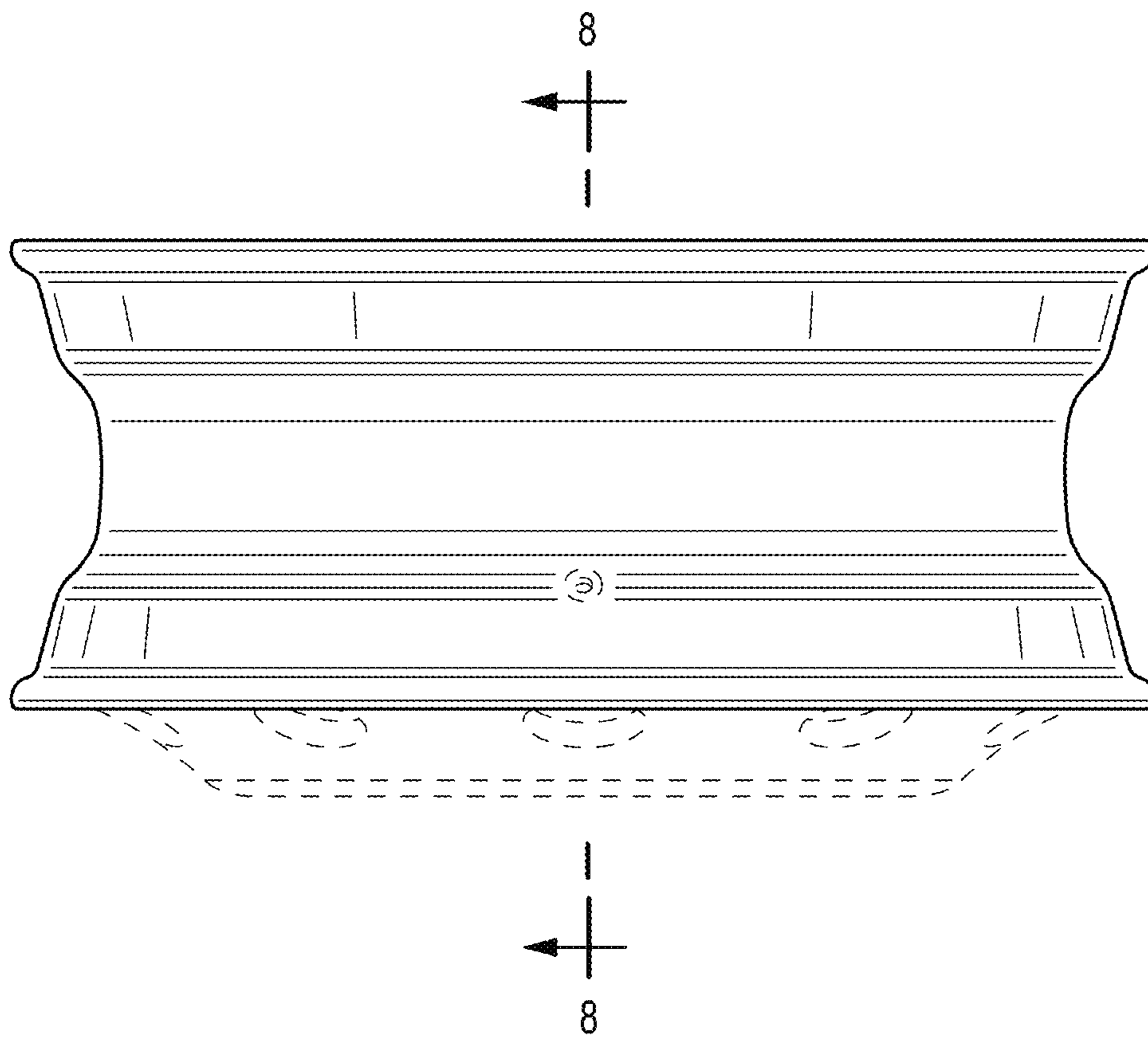


FIG. 6



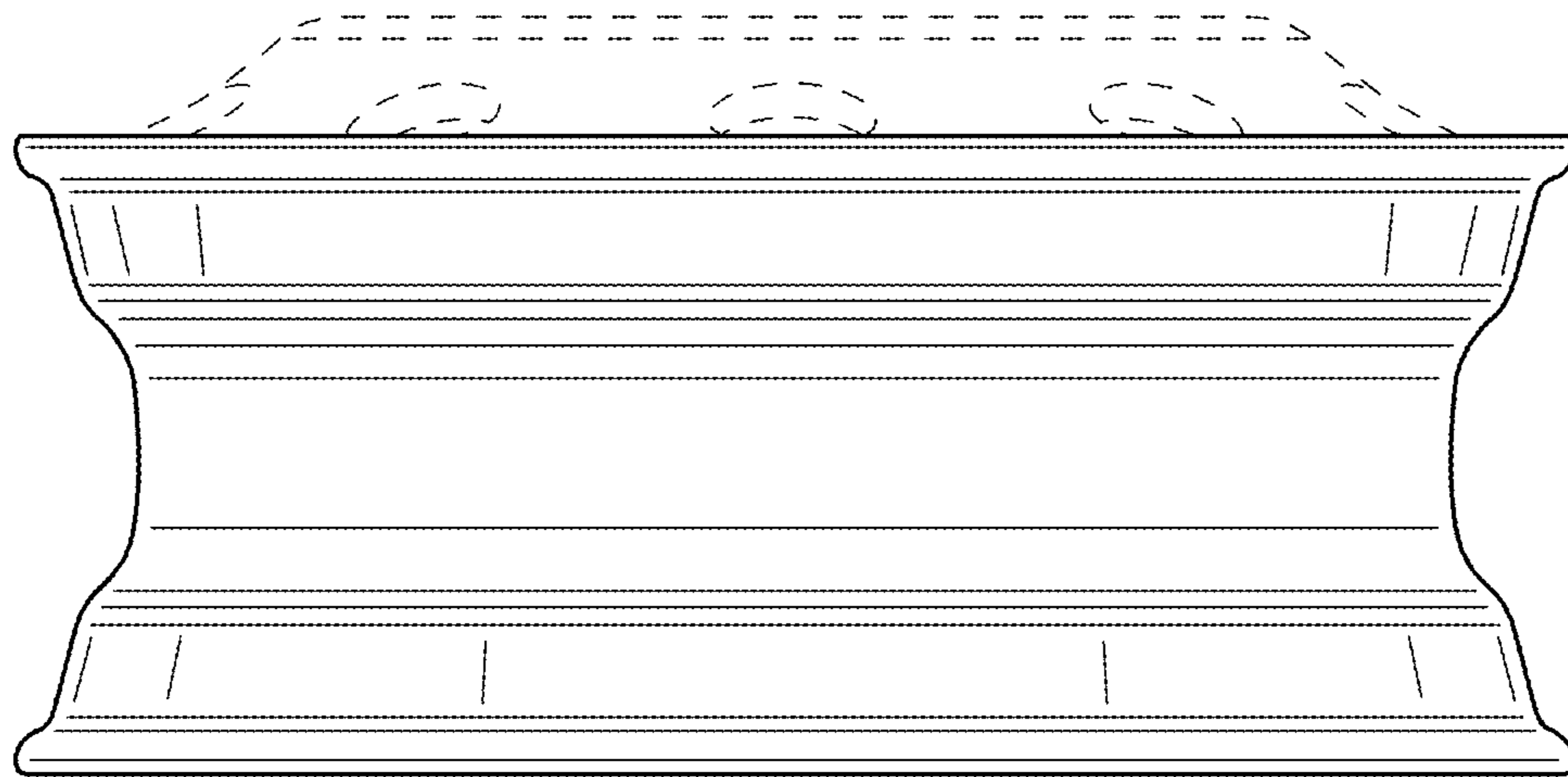


FIG.7

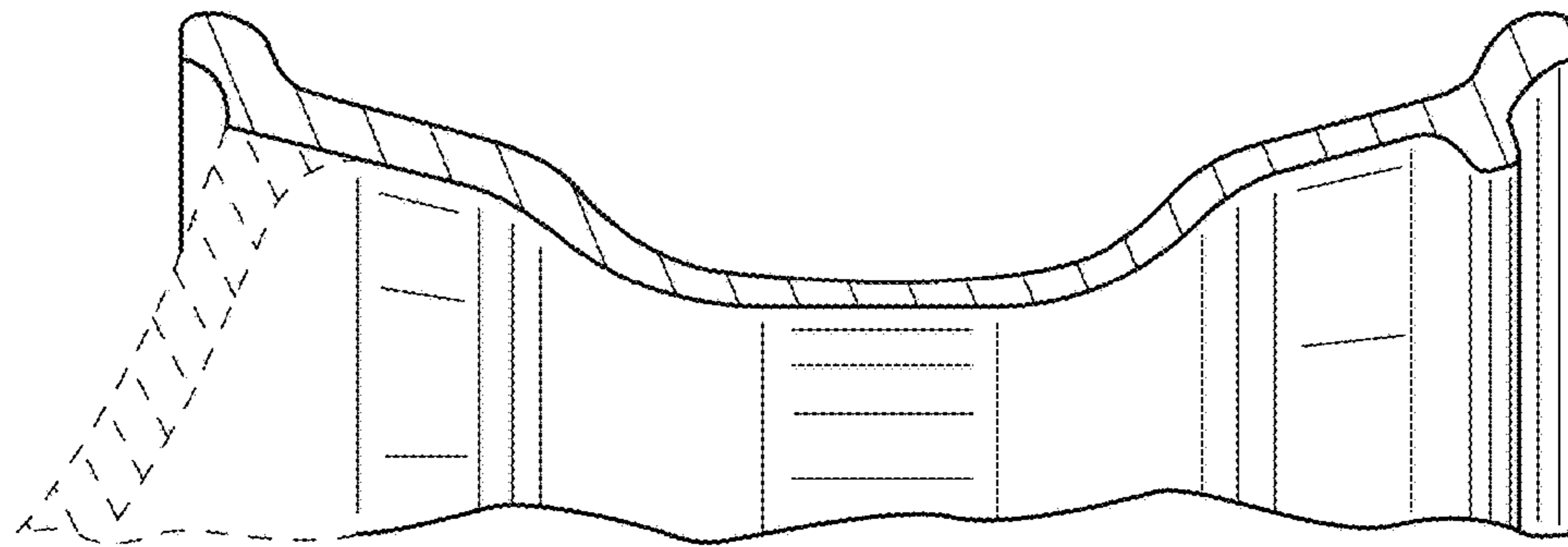


FIG.8