



US00D836521S

(12) **United States Design Patent**
Yeh

(10) **Patent No.:** **US D836,521 S**

(45) **Date of Patent:** **** Dec. 25, 2018**

(54) **WHEEL FRONT FACE**

(71) Applicant: **Bruce Yeh**, Chino Hills, CA (US)

(72) Inventor: **Bruce Yeh**, Chino Hills, CA (US)

(73) Assignee: **WHEEL GROUP HOLDINGS, LLC**,
Ontario, CA (US)

(**) Term: **15 Years**

(21) Appl. No.: **29/628,008**

(22) Filed: **Nov. 30, 2017**

(51) **LOC (11) Cl.** **12-16**

(52) **U.S. Cl.**
USPC **D12/209**

(58) **Field of Classification Search**
USPC D12/204–213; D21/533, 561, 563
CPC B60B 7/00; B60B 7/02; B60B 7/04; B60B
7/06; B60B 3/02; B60B 3/04; B60B 3/06;
B60B 3/10; B60B 1/00; B60B 1/08;
B60B 1/10; B60B 1/12
See application file for complete search history.

(56) **References Cited**

U.S. PATENT DOCUMENTS

D610,516 S * 2/2010 Dilber D12/211
D622,197 S * 8/2010 Zhao D12/209

D701,811 S * 4/2014 Hale, Jr. D12/211
D701,812 S * 4/2014 Hale, Jr. D12/211
D701,813 S * 4/2014 Kern D12/211
D737,189 S * 8/2015 Claunch D12/209
D768,047 S * 10/2016 Hans D12/211
D781,204 S * 3/2017 Peat D12/211
D788,009 S * 5/2017 Zhao D12/211
D798,215 S * 9/2017 Alfonso D12/211
D800,633 S * 10/2017 Kong D12/211
D811,305 S * 2/2018 Hodges D12/211

* cited by examiner

Primary Examiner — Sheryl Lane

Assistant Examiner — Calvin E Vansant

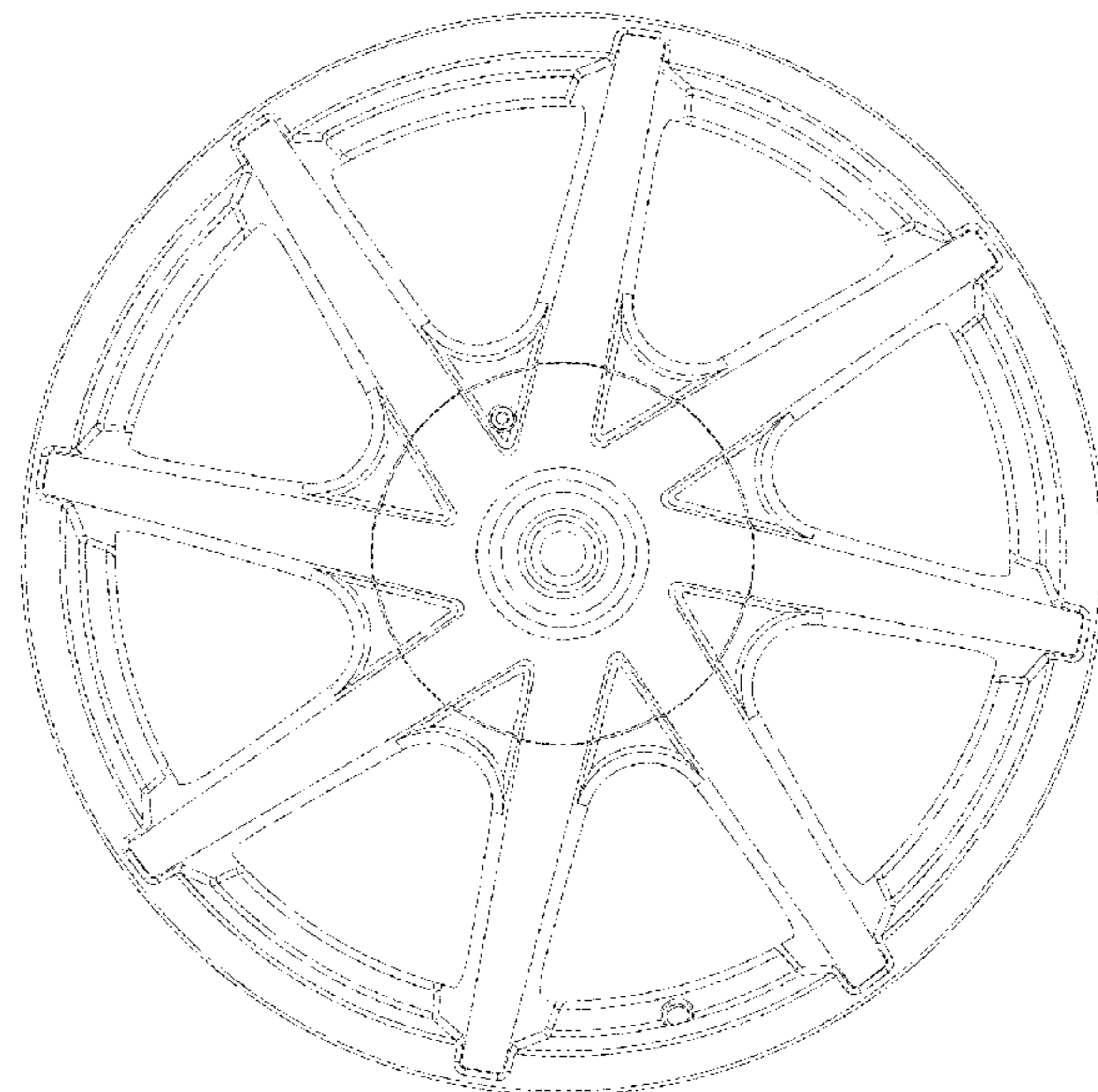
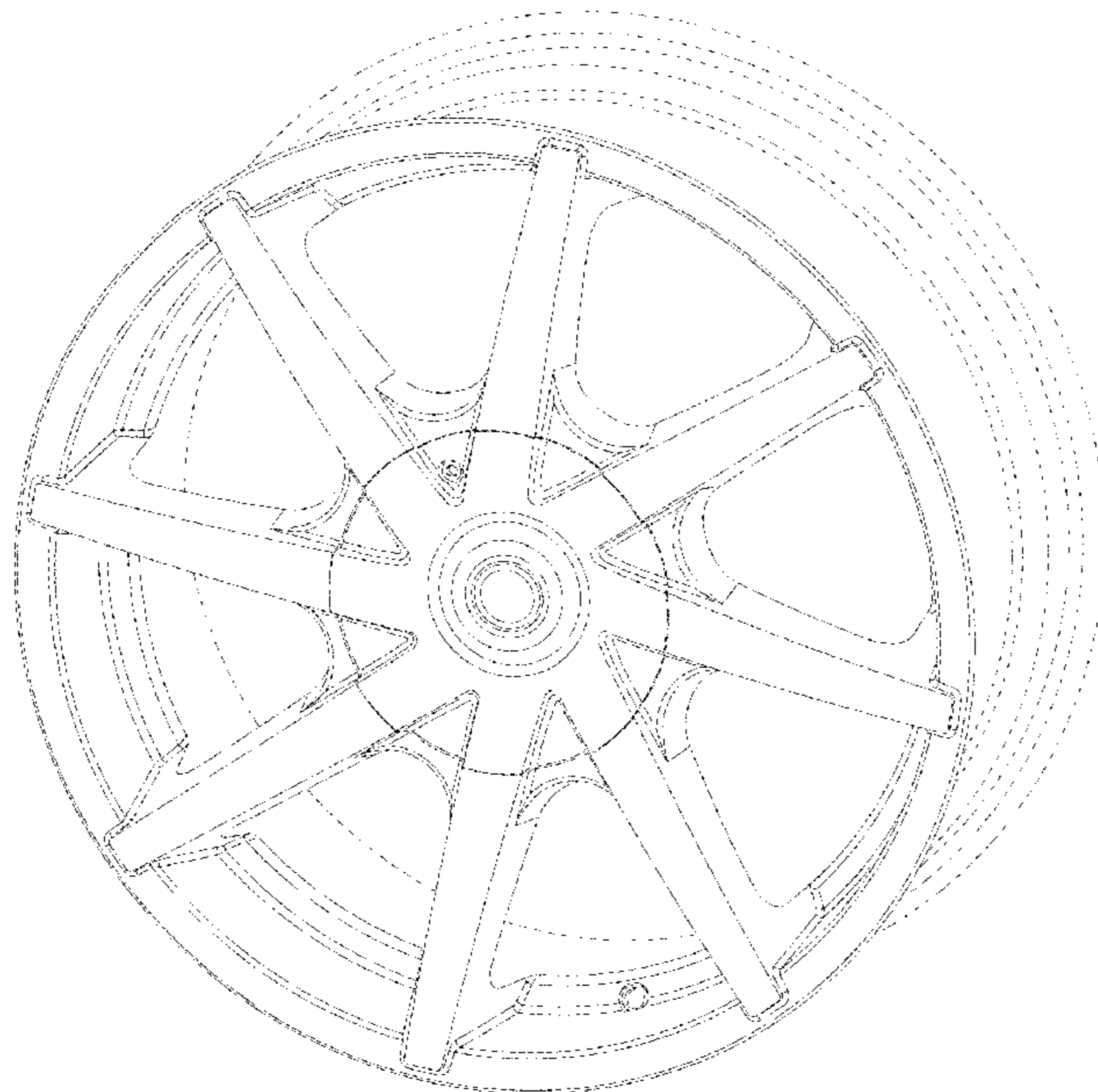
(57) **CLAIM**

The ornamental design for a wheel front face, as shown and described.

DESCRIPTION

FIG. 1 is a perspective view of a wheel front face in accordance with an embodiment of the present invention. FIG. 2 is a front view of the wheel front face of FIG. 1; and, FIG. 3 is a side view of the wheel front face of FIG. 1. The surface shadings are for illustrative purposes only, and form no part of the claimed design. The broken lines showing the rear of the wheel and the rim is for illustrative purposes only, and forms no part of the claimed design.

1 Claim, 3 Drawing Sheets



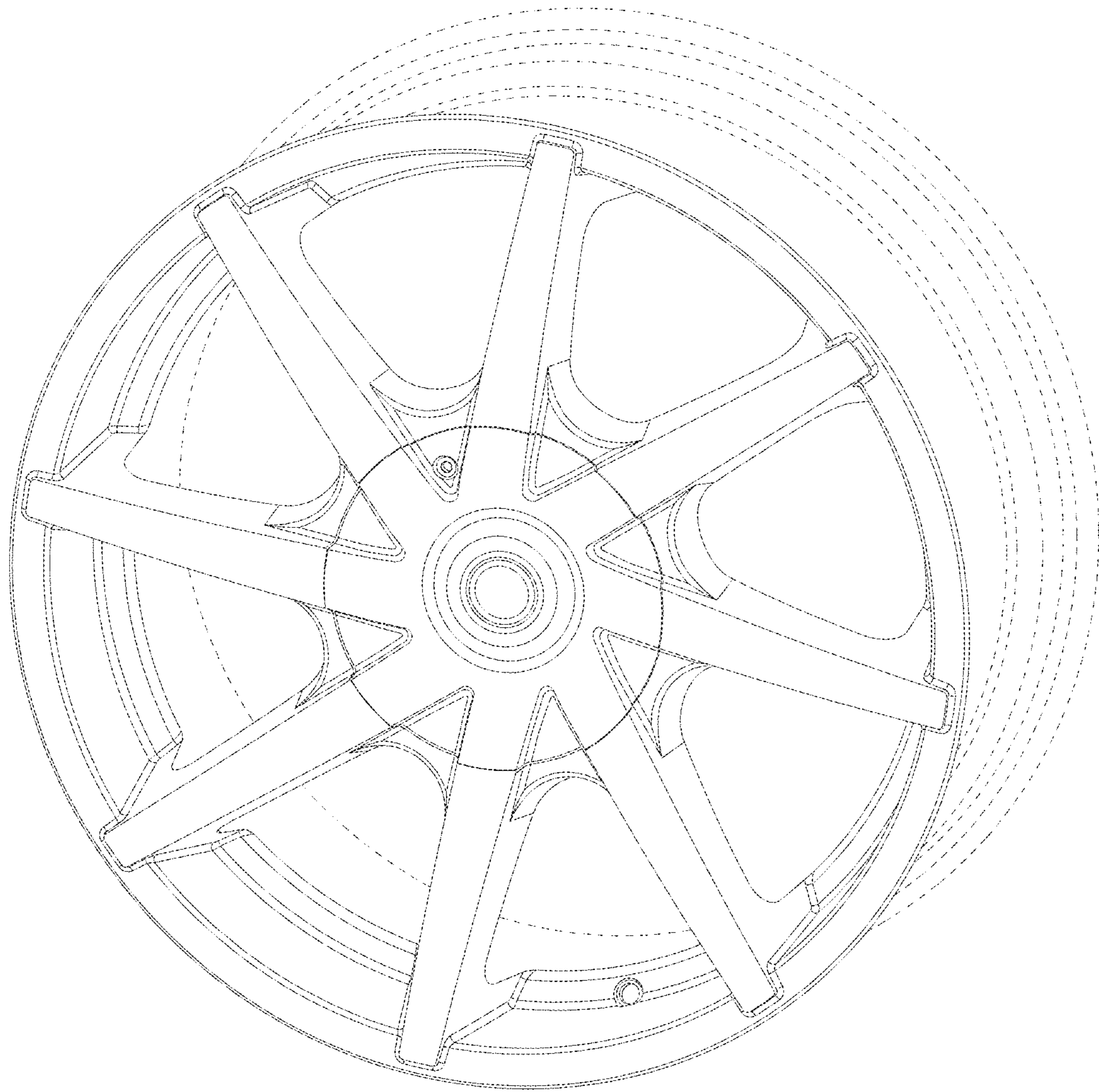


FIG.1

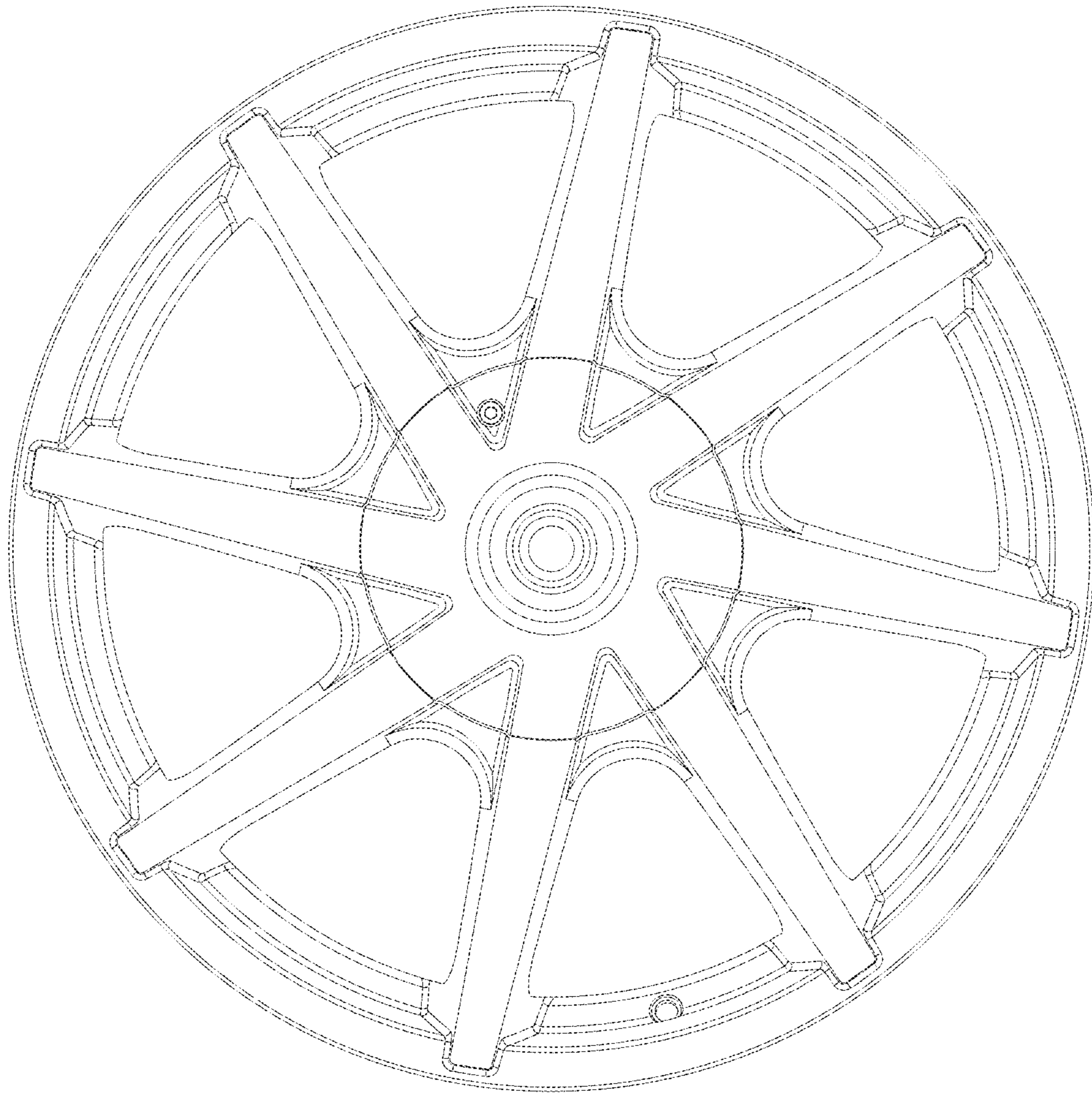


FIG.2

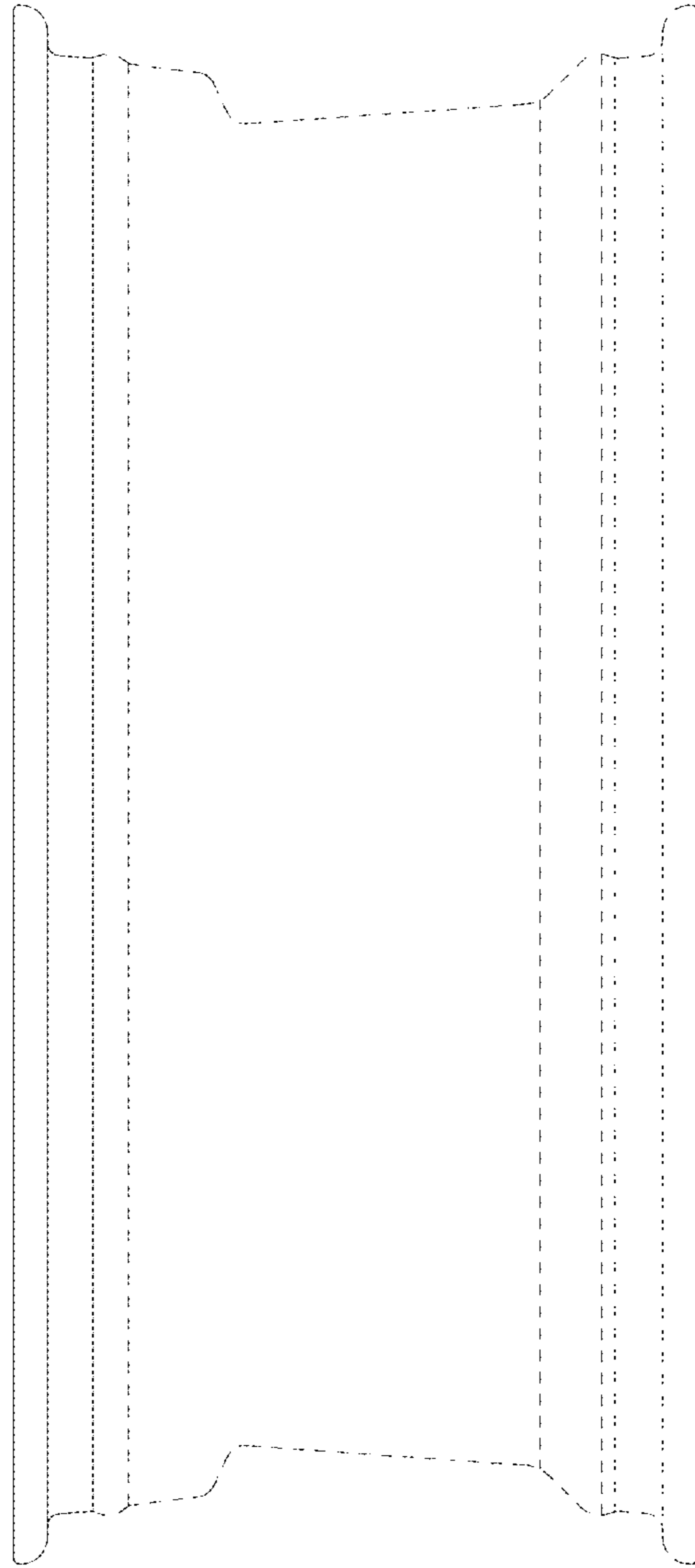


FIG.3