



US00D836520S

(12) **United States Design Patent**  
**Han**

(10) **Patent No.:** **US D836,520 S**

(45) **Date of Patent:** **\*\* Dec. 25, 2018**

(54) **AUTOMOTIVE WHEEL**

(71) Applicant: **Donnie Han**, Corona, CA (US)

(72) Inventor: **Donnie Han**, Corona, CA (US)

(\*\*) Term: **15 Years**

(21) Appl. No.: **29/622,412**

(22) Filed: **Oct. 17, 2017**

(51) **LOC (11) Cl.** ..... **12-16**

(52) **U.S. Cl.**  
USPC ..... **D12/209**

(58) **Field of Classification Search**  
USPC ..... D12/204–213  
CPC .... B60B 7/00; B60B 7/02; B60B 7/04; B60B 7/01; B60B 7/06; B60B 3/04; B60B 1/00; B60B 3/10; B60B 1/10; B60B 1/08; B60B 3/06; B60B 1/12; B60B 3/02  
See application file for complete search history.

(56) **References Cited**

**U.S. PATENT DOCUMENTS**

D239,105 S \* 3/1976 Siroonian ..... D12/205  
D269,081 S \* 5/1983 Hayashi ..... D12/205

D284,000 S \* 5/1986 Braungart  
D396,838 S \* 8/1998 Mills ..... D12/209  
D701,158 S \* 3/2014 Hodges ..... D12/211  
D708,109 S \* 7/2014 Hodges ..... D12/205  
D723,993 S \* 3/2015 Zhao ..... D12/209  
D748,560 S \* 2/2016 Simm ..... D12/211  
D766,154 S \* 9/2016 Perini ..... D12/209  
D817,842 S \* 5/2018 Chung ..... D12/209  
D822,575 S \* 7/2018 Chung ..... D12/209  
D823,216 S \* 7/2018 Chung ..... D12/209

\* cited by examiner

*Primary Examiner* — Stacia A Cadmus

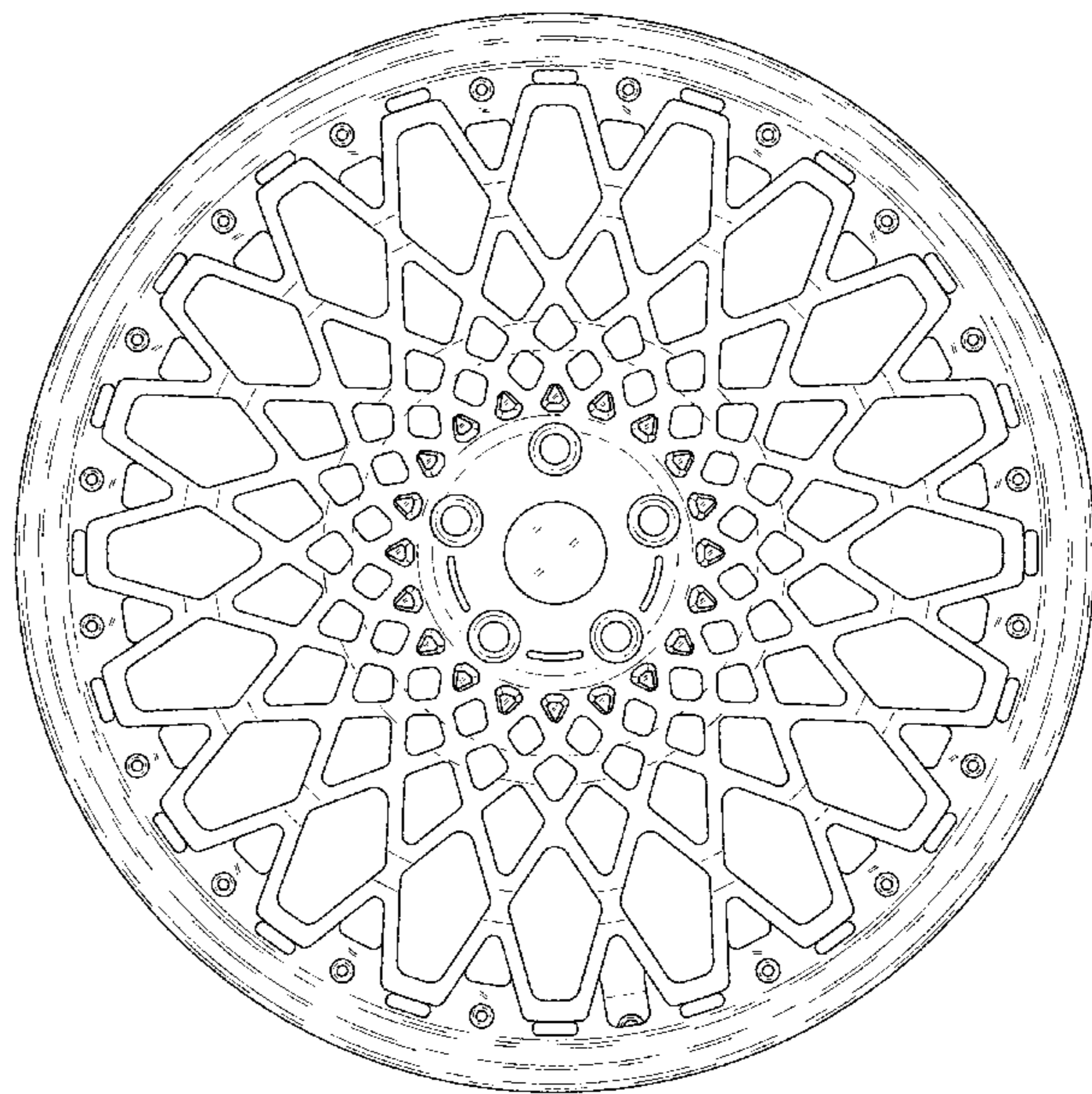
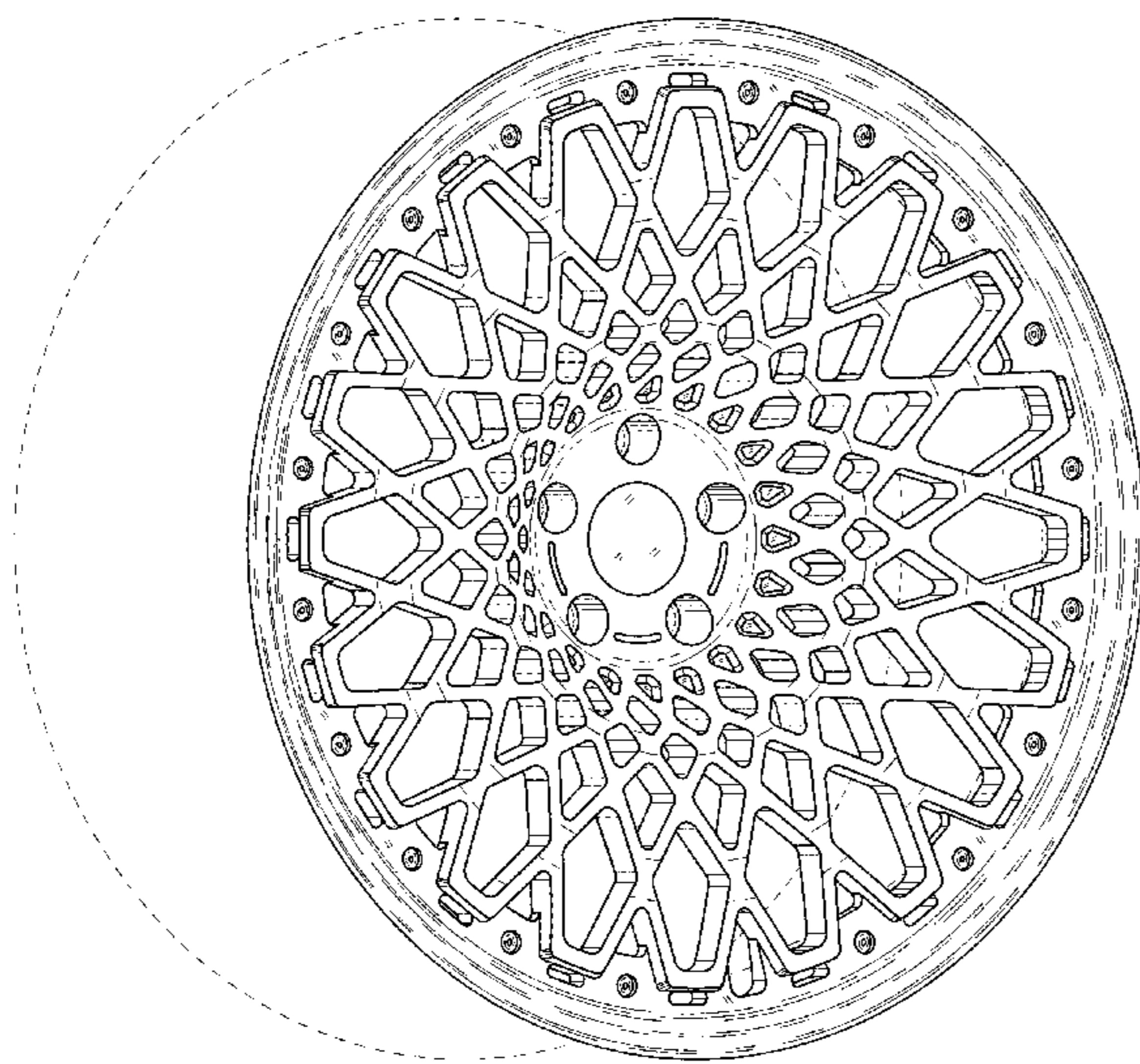
(57) **CLAIM**

The ornamental design for an automotive wheel, as shown and described.

**DESCRIPTION**

FIG. 1 is a perspective view of an automotive wheel, showing my new design;  
FIG. 2 is a front view thereof;  
FIG. 3 is a perspective view of a second embodiment of an automotive wheel, showing my new design; and,  
FIG. 4 is a front view of FIG. 3.  
The broken line showing of the wheel is included for the purpose of illustrating environment and forms no part of the claimed design.

**1 Claim, 4 Drawing Sheets**



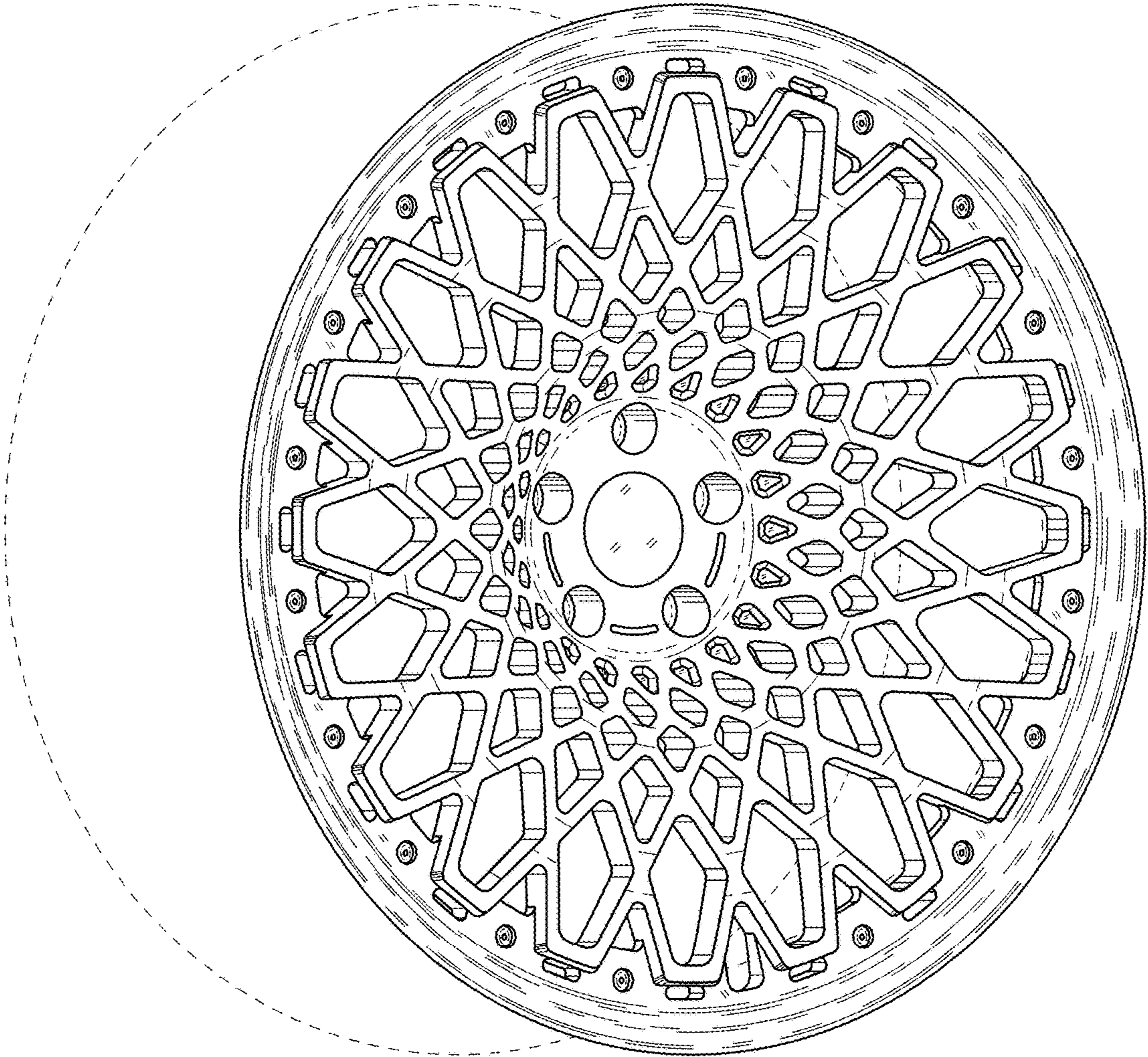


FIGURE 1

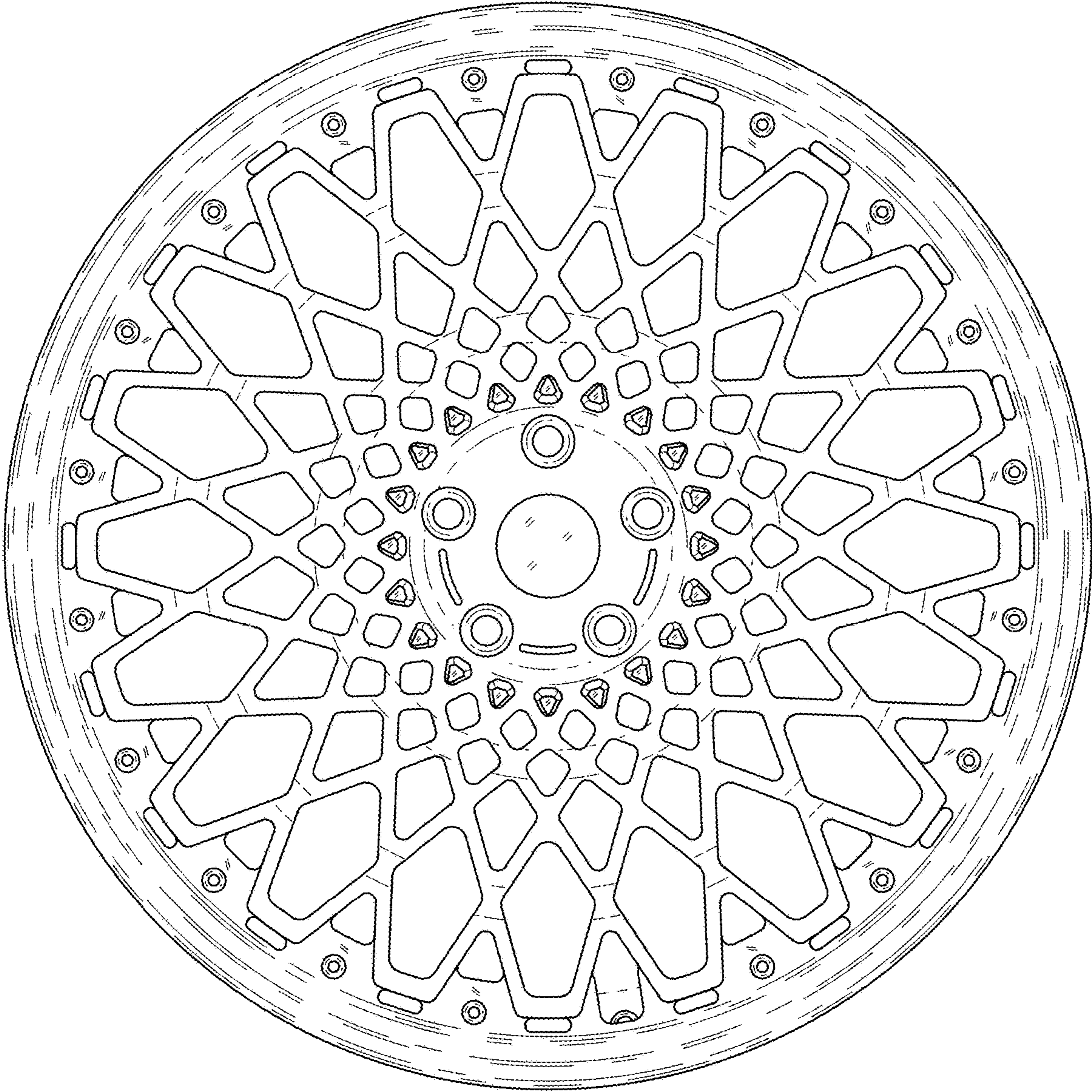


FIGURE 2

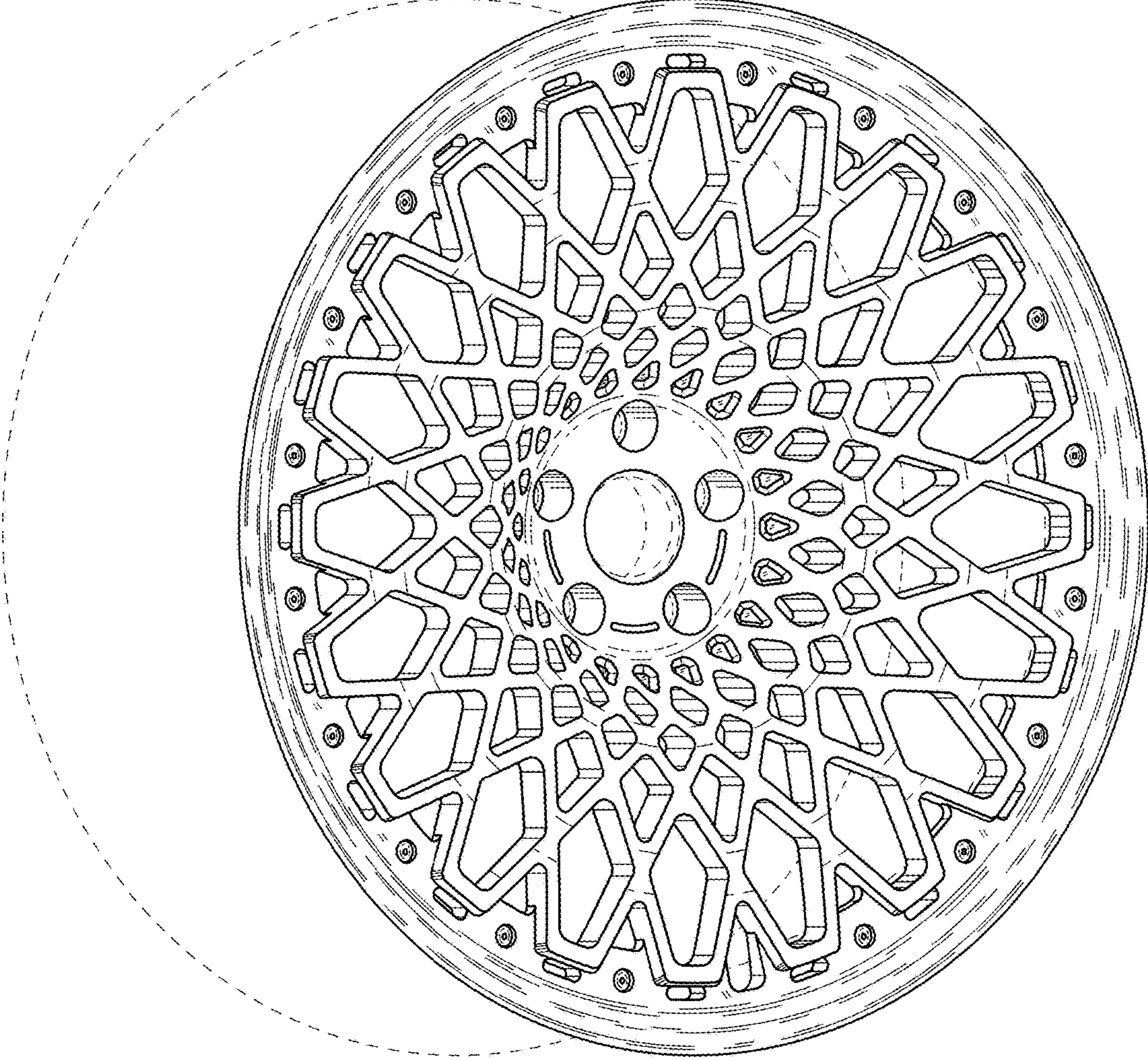


FIGURE 3

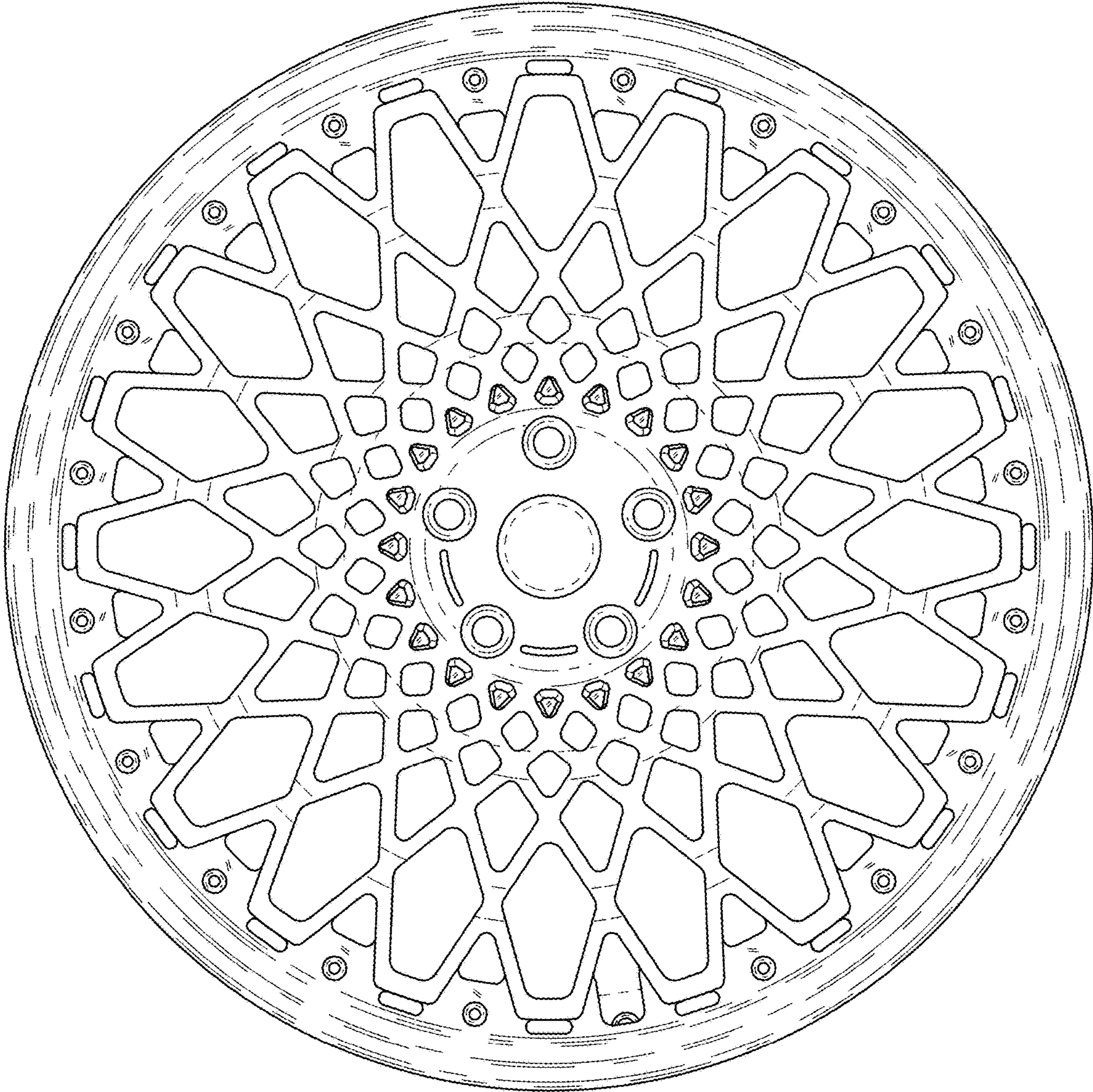


FIGURE 4