



US00D836519S

(12) **United States Design Patent**
Kikuchi

(10) **Patent No.:** **US D836,519 S**

(45) **Date of Patent:** **** Dec. 25, 2018**

- (54) **WHEEL FOR AN AUTOMOBILE**
- (71) Applicant: **Subaru Corporation**, Tokyo (JP)
- (72) Inventor: **Kouta Kikuchi**, Tokyo (JP)
- (73) Assignee: **Subaru Corporation**, Tokyo (JP)
- (**) Term: **15 Years**
- (21) Appl. No.: **29/607,988**
- (22) Filed: **Jun. 19, 2017**

(30) **Foreign Application Priority Data**

Dec. 19, 2016 (JP) 2016-027418

(51) **LOC (11) Cl.** **12-16**

(52) **U.S. Cl.**
USPC **D12/209**

(58) **Field of Classification Search**
USPC D12/204–213; D21/533, 561, 563
CPC B60B 7/00; B60B 7/02; B60B 7/04; B60B
7/06; B60B 3/02; B60B 3/04; B60B 3/06;
B60B 3/10; B60B 1/00; B60B 1/08;
B60B 1/10; B60B 1/12
See application file for complete search history.

(56) **References Cited**

U.S. PATENT DOCUMENTS

- D646,212 S * 10/2011 Ettensberger D12/211
- D673,092 S * 12/2012 Platto D12/209
- D673,096 S * 12/2012 Platto D12/209

- D718,206 S * 11/2014 Song D12/211
- D731,389 S * 6/2015 Gotschke D12/211
- D749,029 S * 2/2016 Wheel D12/211
- D753,574 S * 4/2016 Mielke D12/211
- D777,074 S * 1/2017 Valencia Pollex D12/211
- D795,148 S * 8/2017 Ariga D12/209
- D808,324 S * 1/2018 Ninov D12/211

* cited by examiner

Primary Examiner — Sheryl Lane

Assistant Examiner — Calvin E Vansant

(74) *Attorney, Agent, or Firm* — Schiff Hardin LLP

(57) **CLAIM**

I claim the ornamental design for a wheel for an automobile, as shown and described.

DESCRIPTION

FIG. 1 is a front perspective view for a “wheel for an automobile” showing my new design, FIG. 2 is a rear perspective view thereof, FIG. 3 is a front view thereof, FIG. 4 is a rear view thereof, FIG. 5 is a top view thereof, FIG. 6 is a bottom view thereof, FIG. 7 is a left-side view thereof, FIG. 8 is a right-side view thereof, FIG. 9 is an enlarged cross-section taken along line 9-9 of FIG. 3; and, FIG. 10 is an enlarged cross-section taken along line 10-10 of FIG. 3.

1 Claim, 7 Drawing Sheets

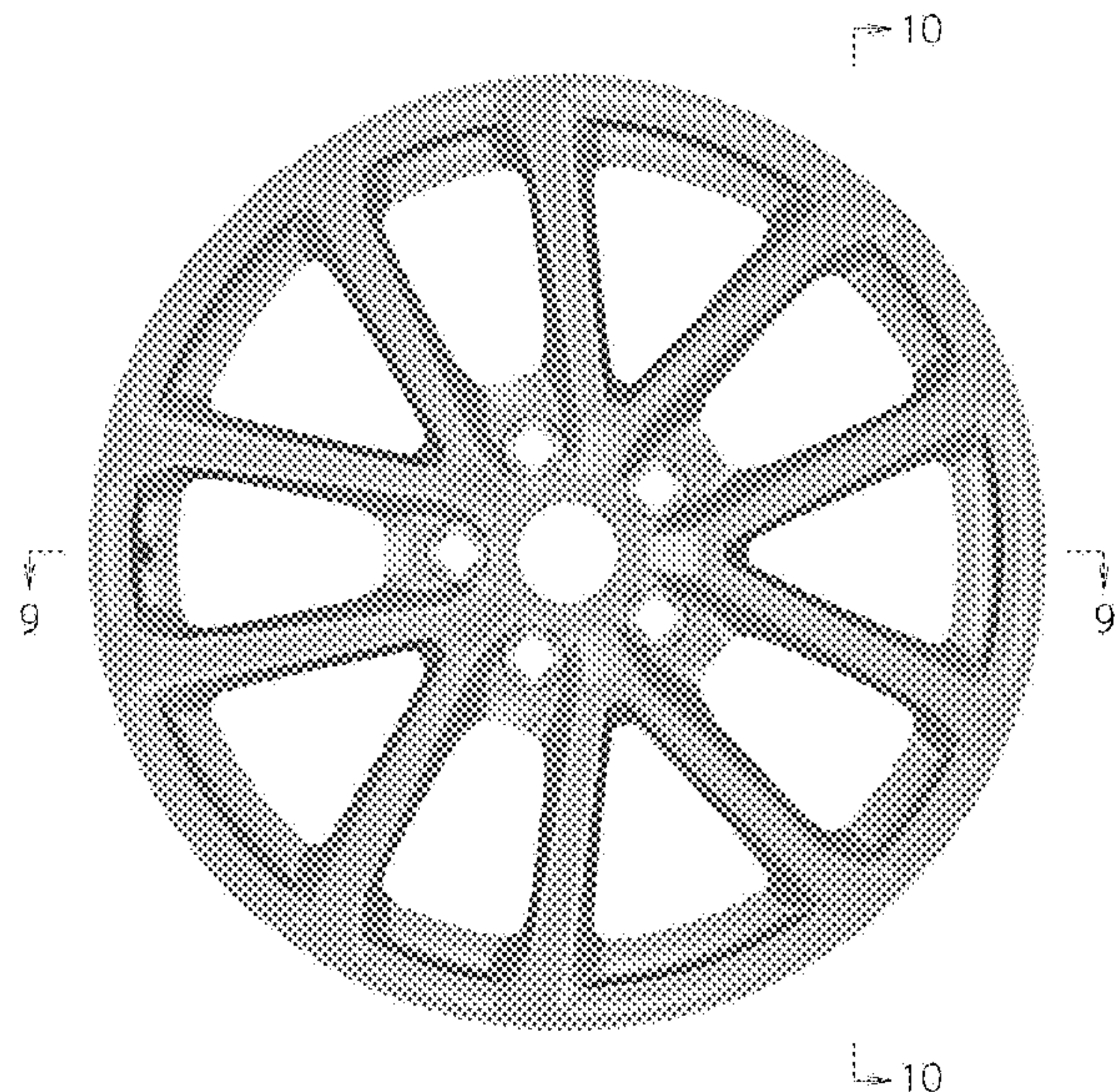
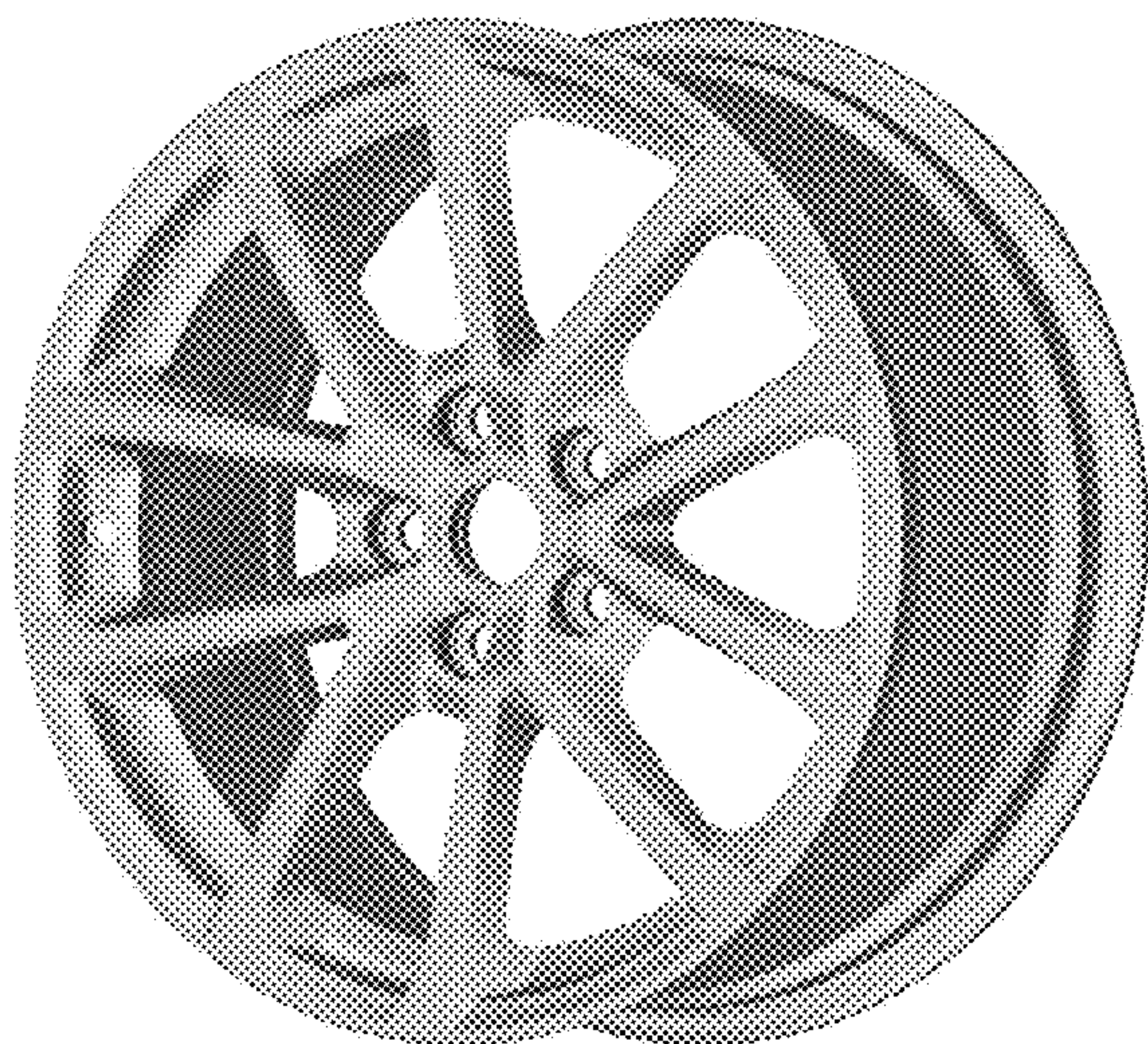


Fig. 1



Fig. 2



Fig. 3

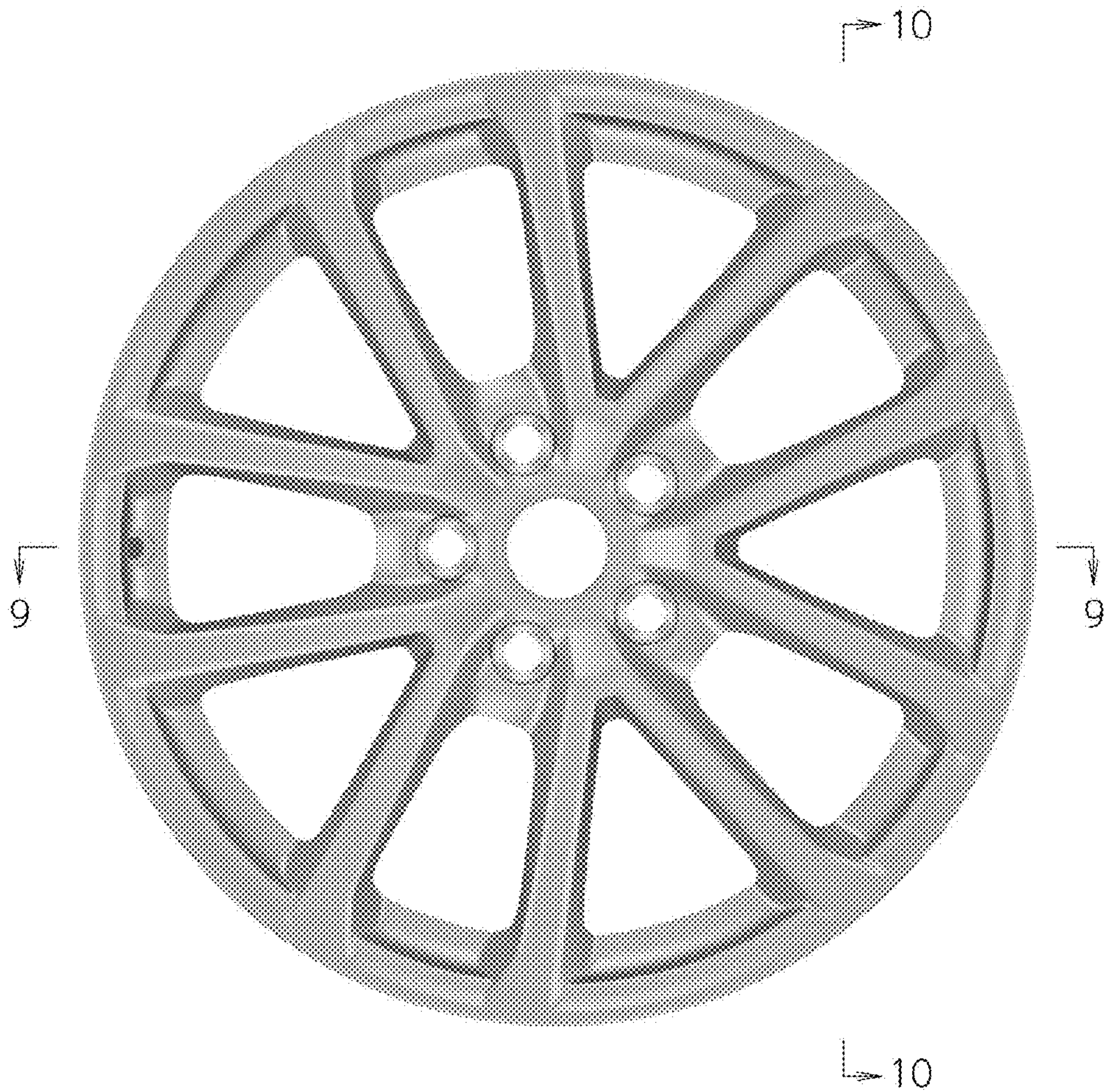


Fig. 4



Fig. 5

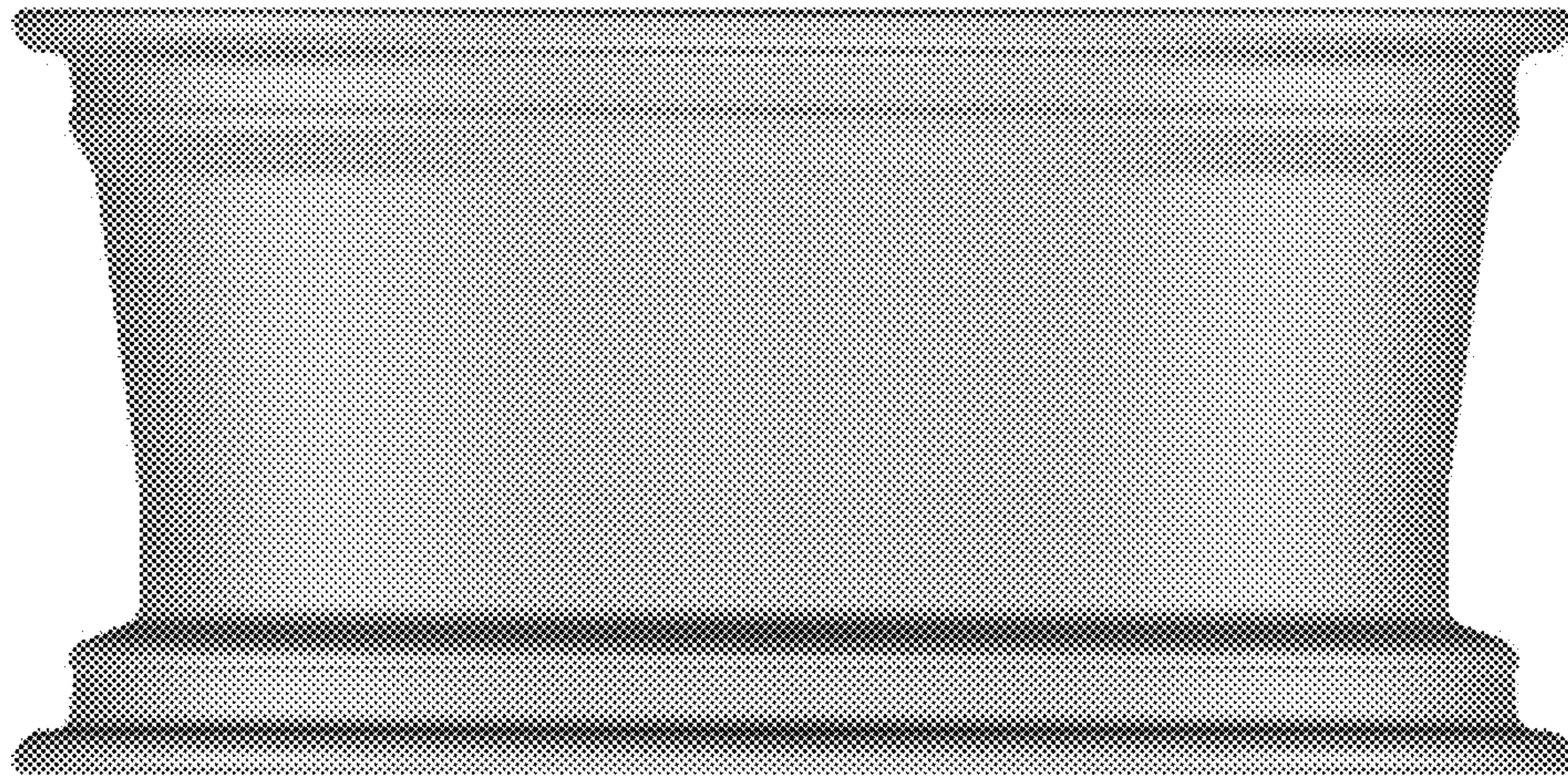


Fig. 6

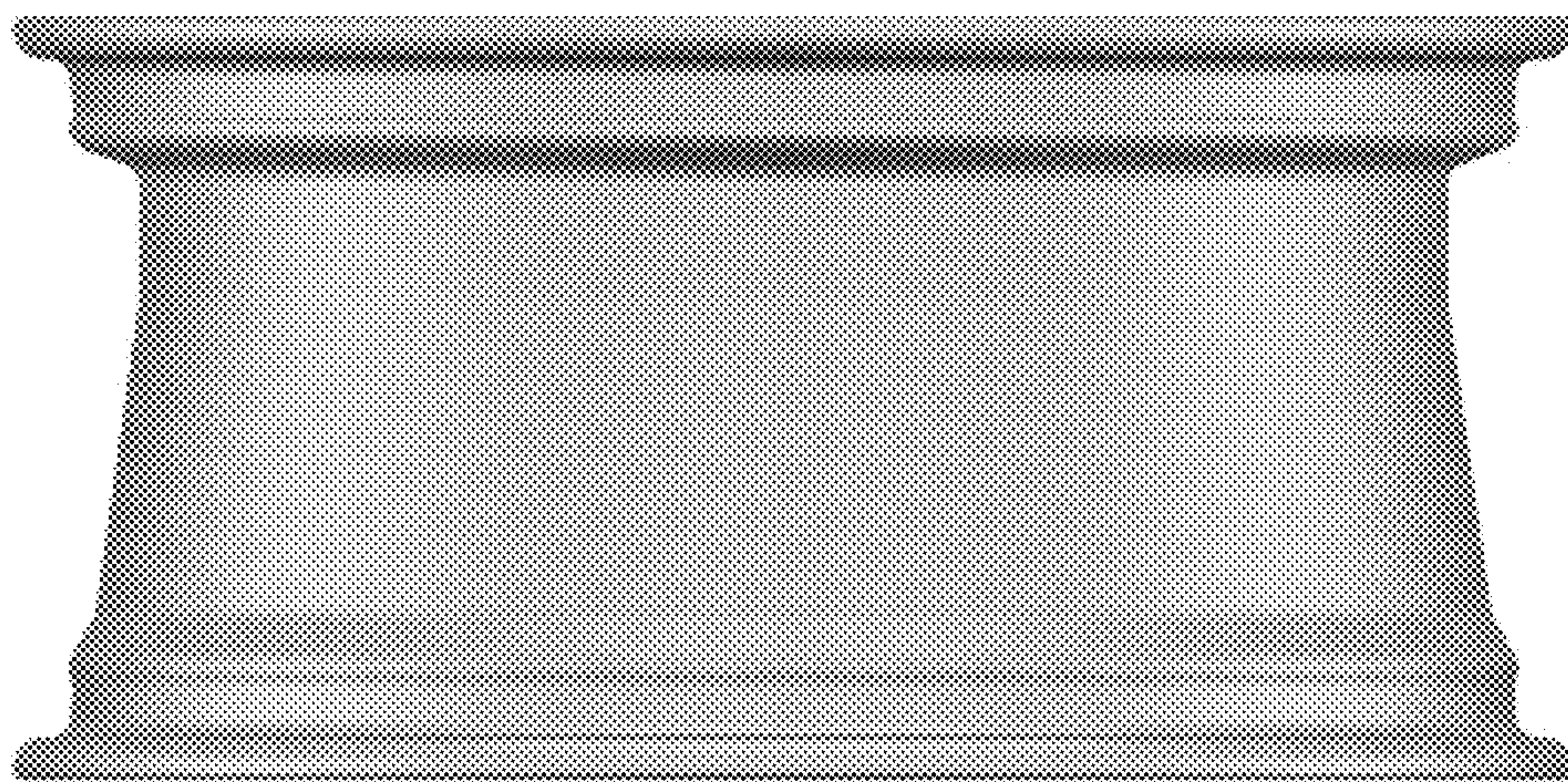


Fig. 7

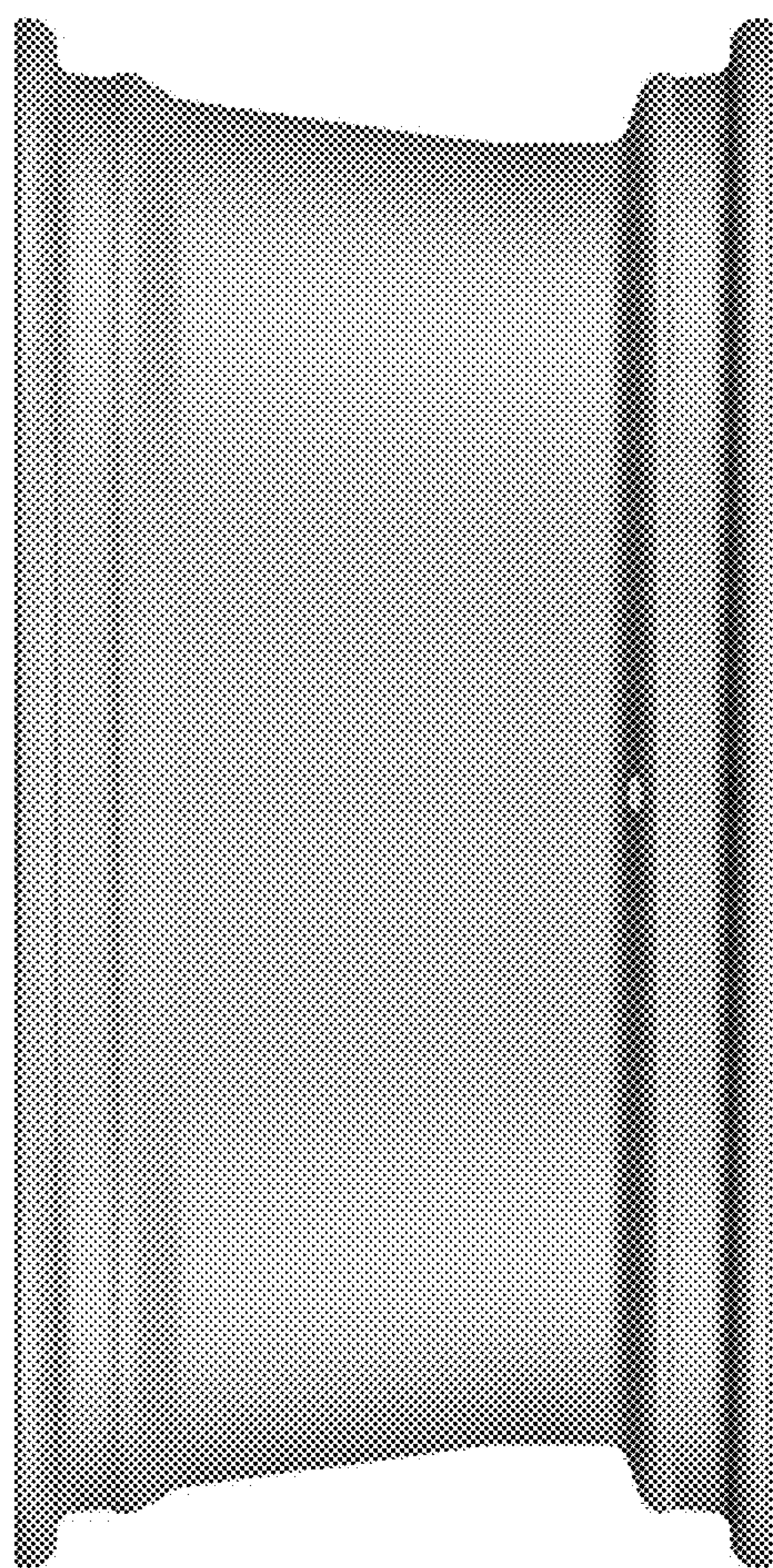


Fig. 8

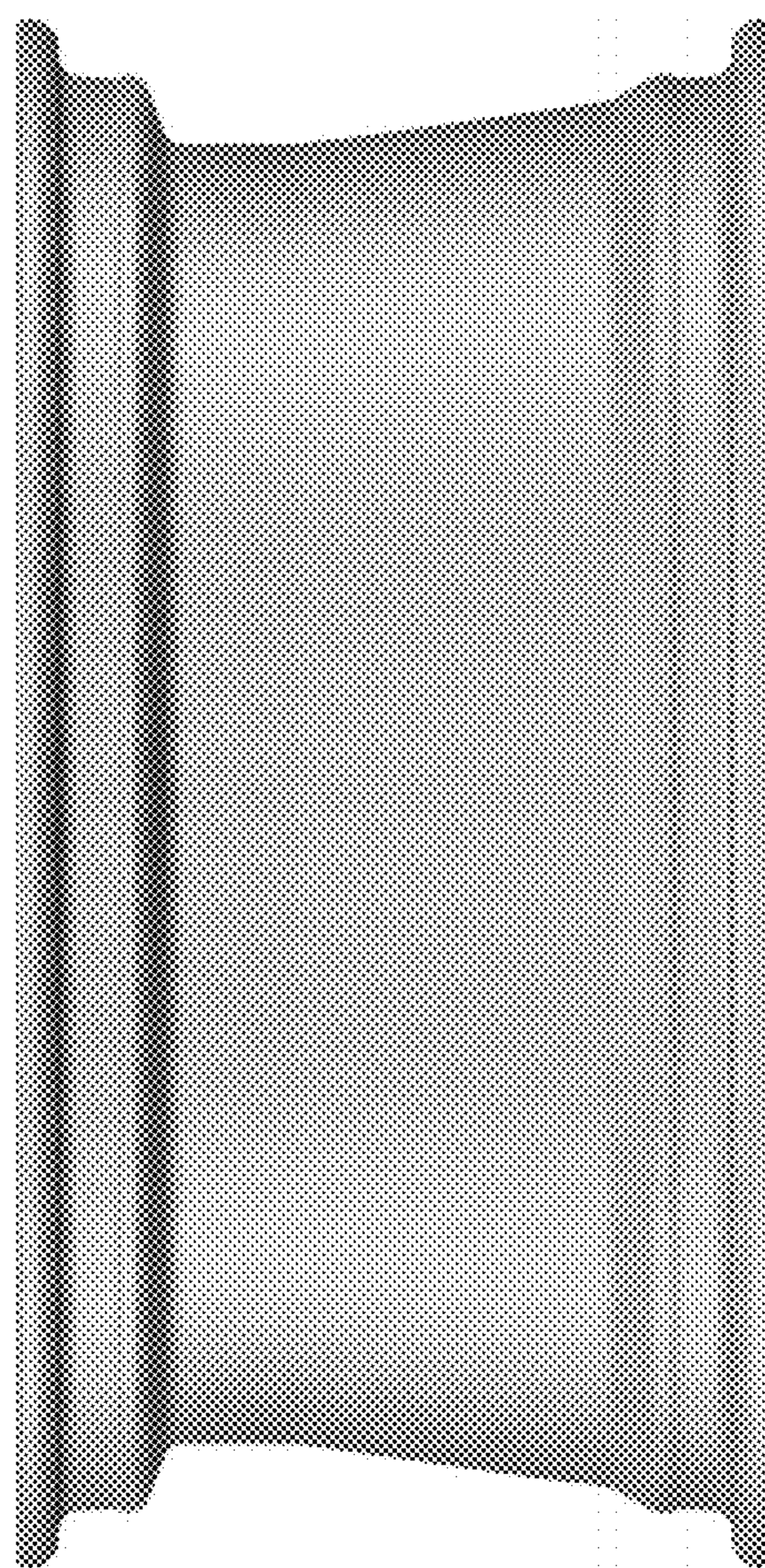


Fig. 9

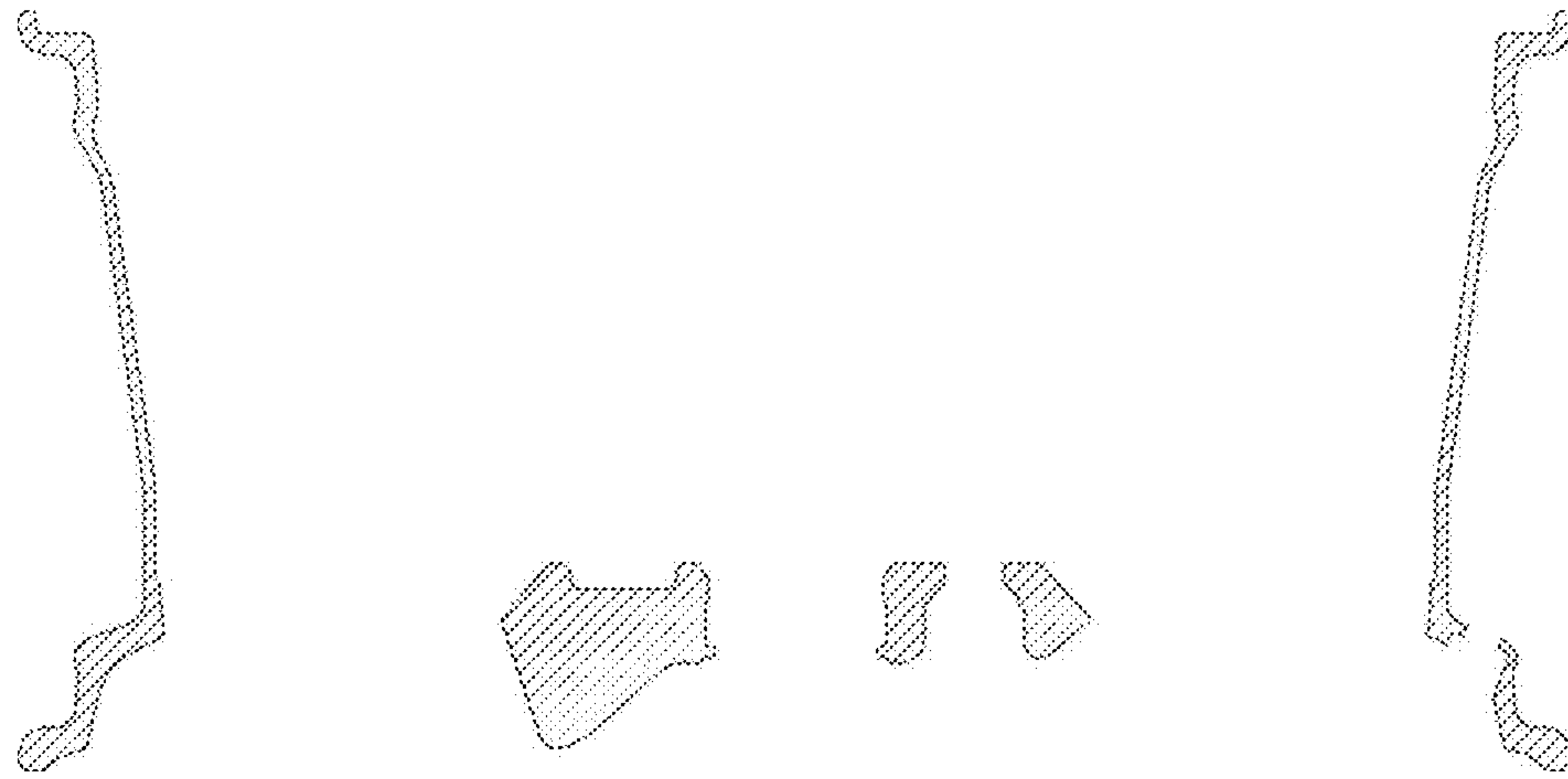


Fig. 10

