

US00D836516S

(12) **United States Design Patent** (10) **Patent No.:** **US D836,516 S**
Tomasson et al. (45) **Date of Patent:** **** Dec. 25, 2018**

(54) **VEHICLE DOOR**
(71) Applicant: **Nio Nextev Limited**, Hong Kong (HK)
(72) Inventors: **Kris Tomasson**, Hong Kong (HK); **Juho Suh**, Hong Kong (HK); **Jim Baste**, Hong Kong (HK); **Salvatore Aita**, Hong Kong (HK); **Vasiliy Kurkov**, Hong Kong (HK); **Soowan Park**, Hong Kong (HK)

D653,187 S * 1/2012 Tomatsu D12/196
D699,654 S * 2/2014 Okue D12/196
D758,270 S * 6/2016 Zadnik D12/196
D765,571 S * 9/2016 Faghihzadeh D12/196
D772,758 S * 11/2016 Frascella D12/92
D776,593 S * 1/2017 Schneider D12/196
D779,407 S * 2/2017 Bae D12/196
D803,122 S * 11/2017 Granlund D12/196
2012/0272578 A1 * 11/2012 Ellinghaus E05D 15/101
49/358
2018/0051492 A1 * 2/2018 Smith B60J 5/04

(73) Assignee: **NIO NEXTEV LIMITED**, Hong Kong (HK)

* cited by examiner

(**) Term: **15 Years**

Primary Examiner — Susan Bennett Hattan

Assistant Examiner — Suzanne E Tisdell

(21) Appl. No.: **29/616,479**

(74) *Attorney, Agent, or Firm* — Hogan Lovells US LLP

(22) Filed: **Sep. 6, 2017**

(30) **Foreign Application Priority Data**

Apr. 10, 2017 (CN) 2017 3 0115350

(51) **LOC (11) Cl.** **12-16**

(52) **U.S. Cl.**
USPC **D12/196**

(58) **Field of Classification Search**
USPC D12/190, 193, 195, 196, 414
CPC E05B 81/56; E05B 81/80; E05B 65/00;
E05B 65/06; E05B 65/10; E05B 65/12;
E05B 79/06; B60J 5/04
See application file for complete search history.

(56) **References Cited**

U.S. PATENT DOCUMENTS

D573,522 S * 7/2008 Sato D12/196
D645,388 S * 9/2011 Kumai D12/196

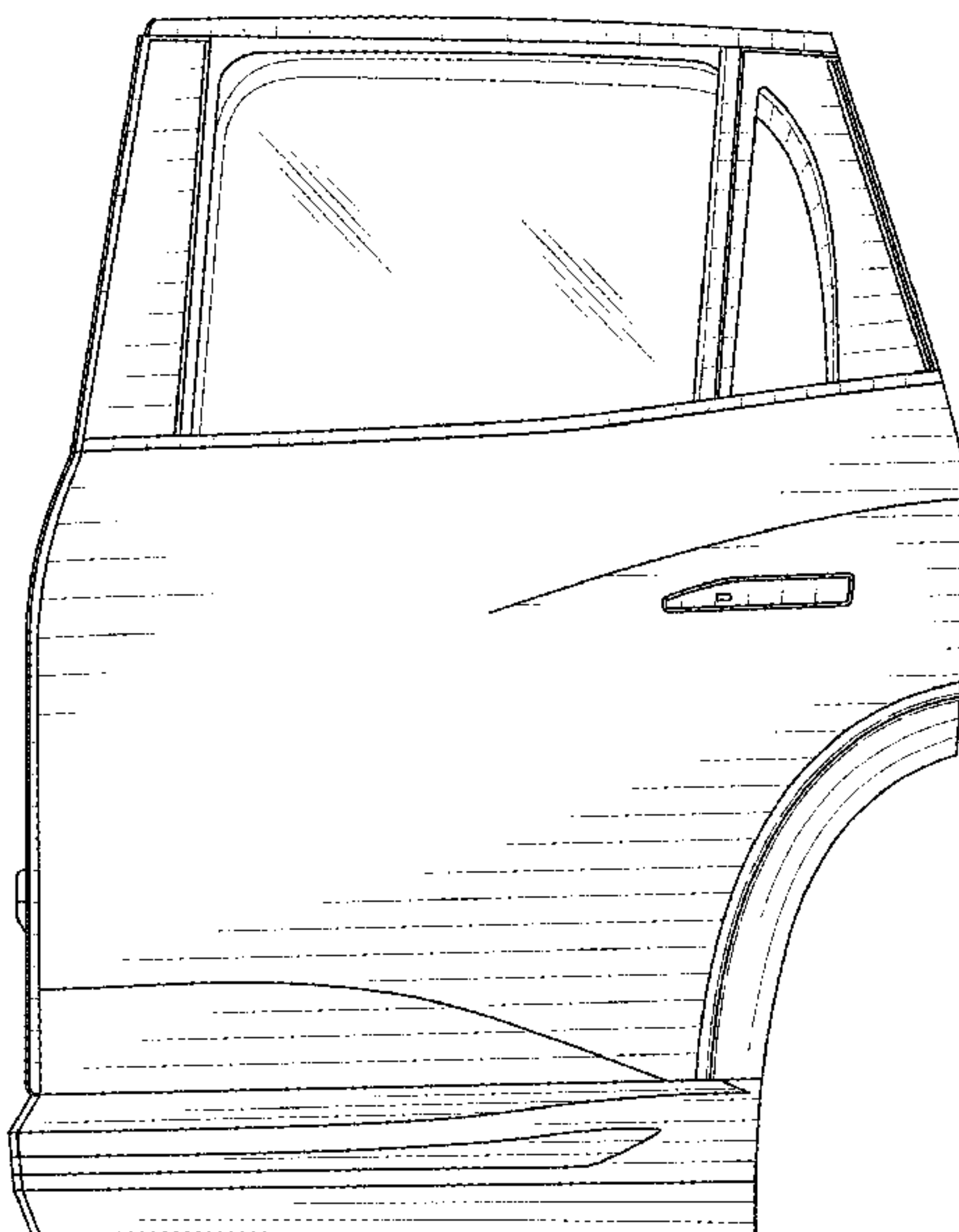
(57) **CLAIM**

The ornamental design for a vehicle door, as shown and described.

DESCRIPTION

FIG. 1 is a front view thereof;
FIG. 2 is a rear view thereof;
FIG. 3 is a left side view thereof;
FIG. 4 is a right side view thereof;
FIG. 5 is a top view thereof;
FIG. 6 is a bottom view thereof;
FIG. 7 is a front perspective view thereof; and,
FIG. 8 is a rear perspective view thereof.

1 Claim, 8 Drawing Sheets



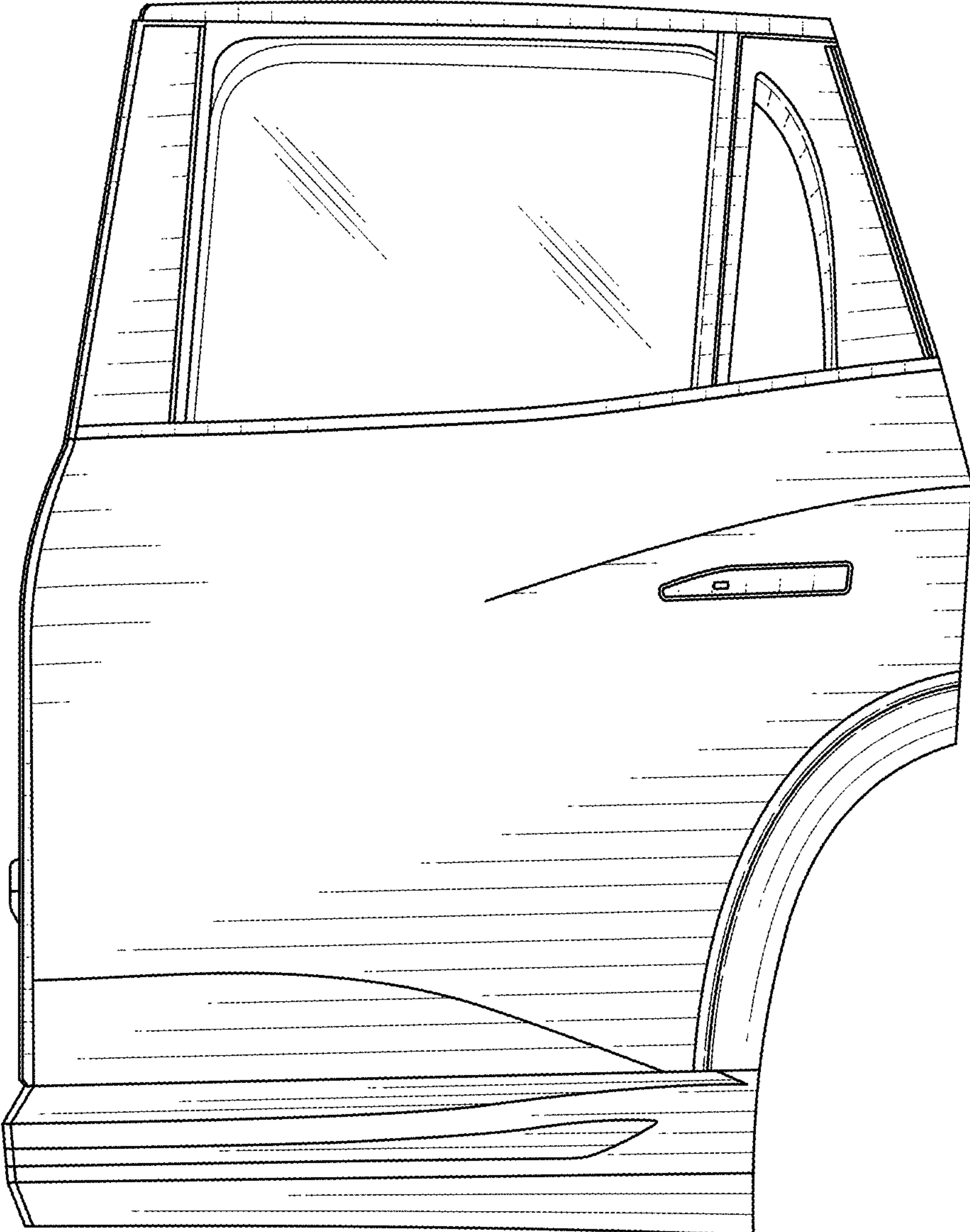


FIG. 1

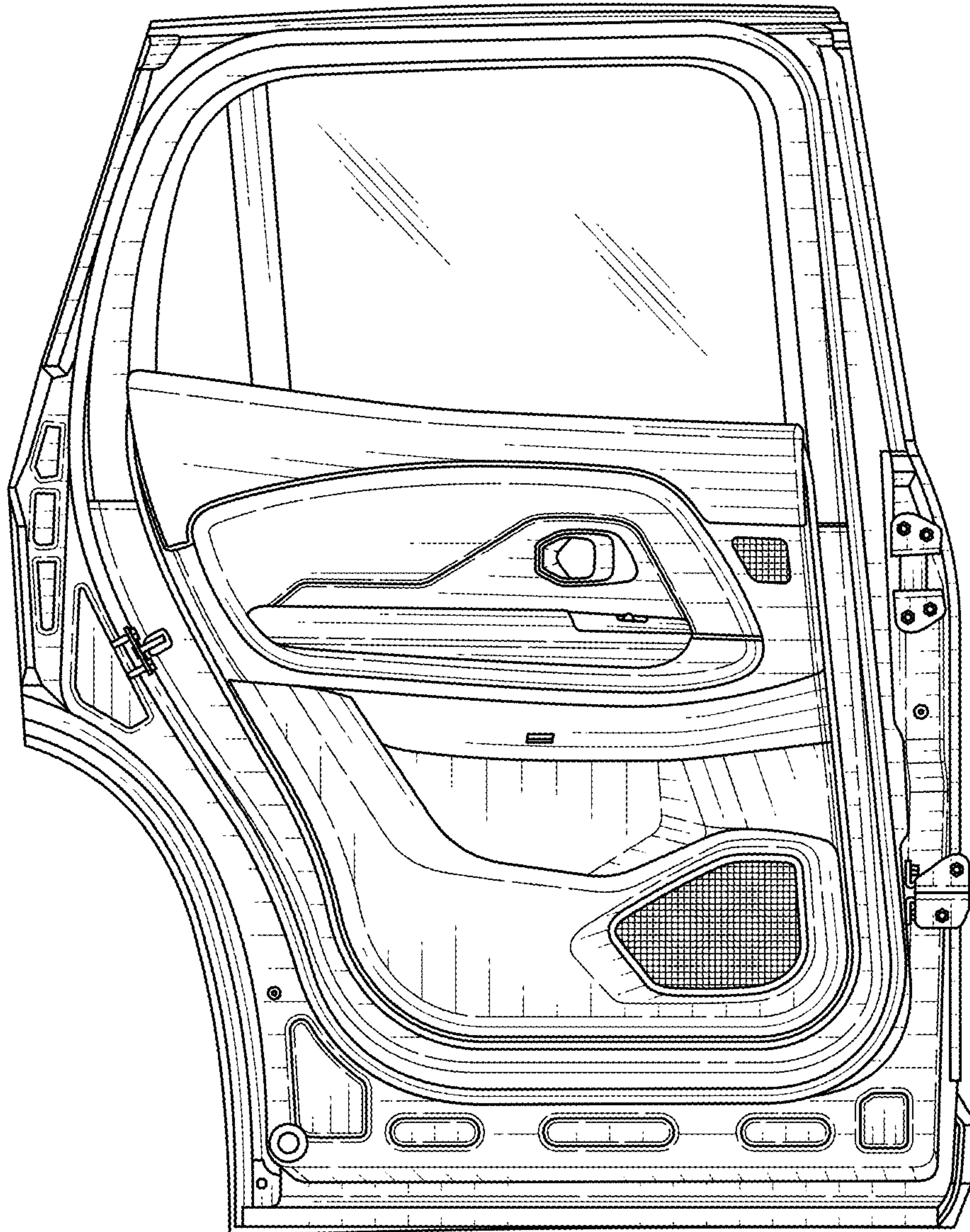


FIG. 2

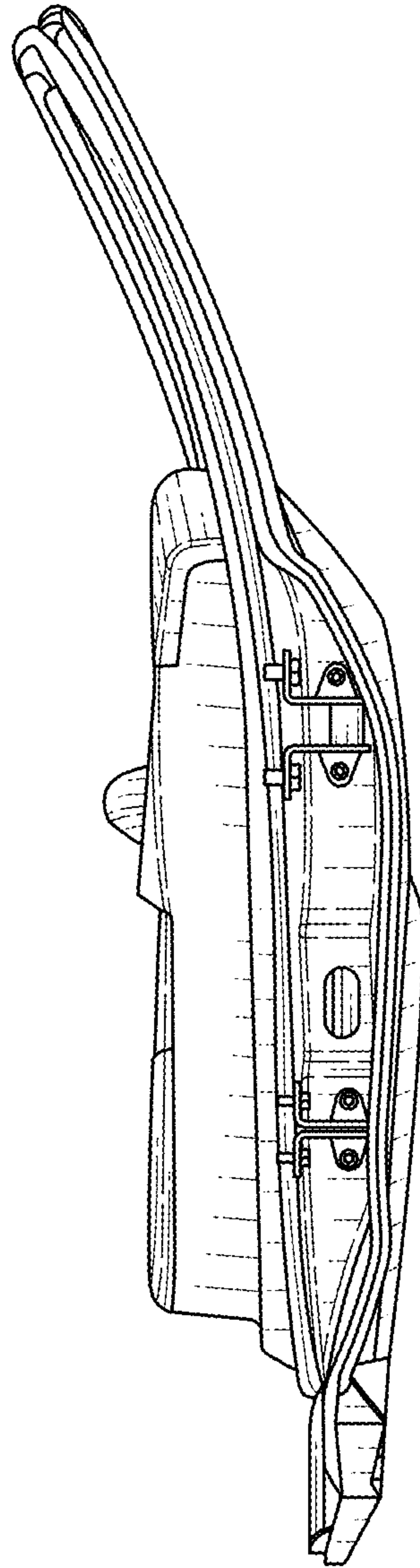


FIG. 3

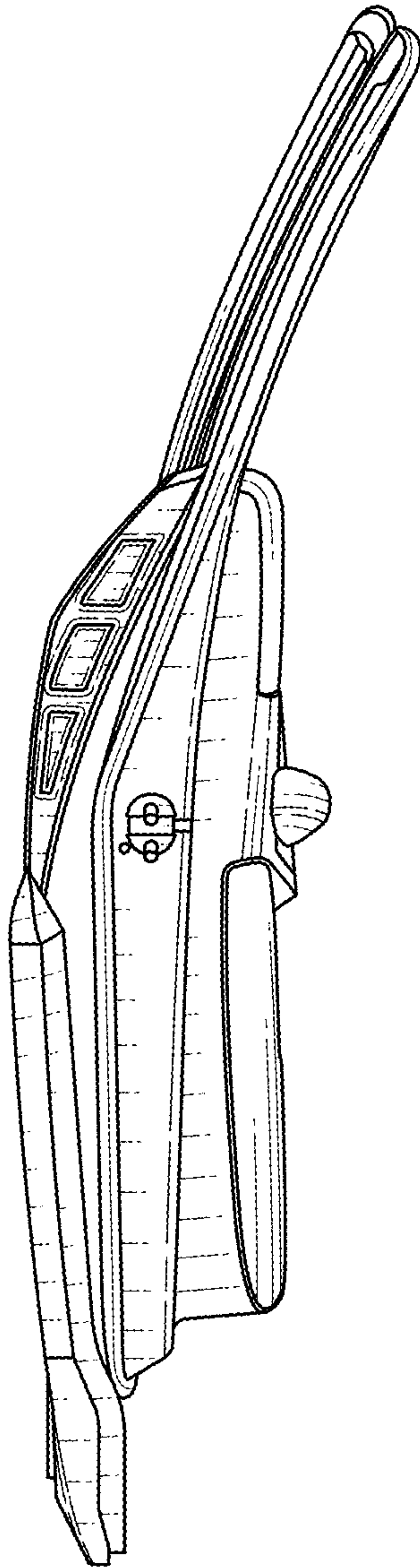


FIG. 4

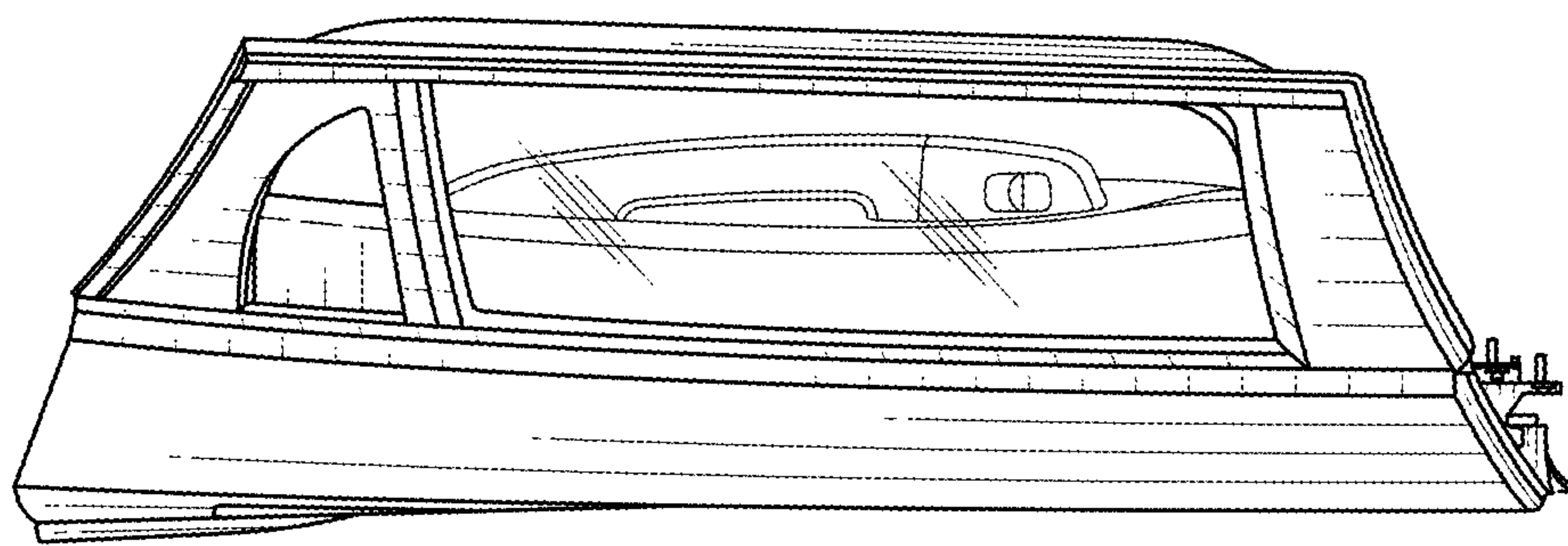


FIG. 5

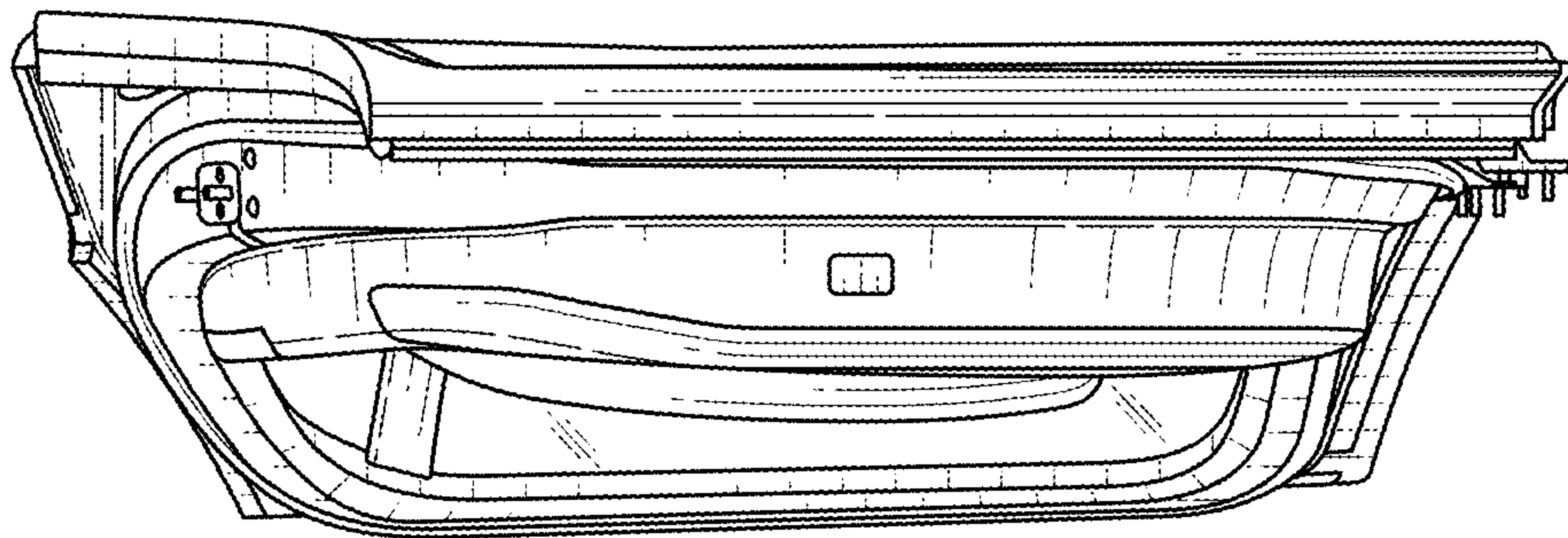


FIG. 6

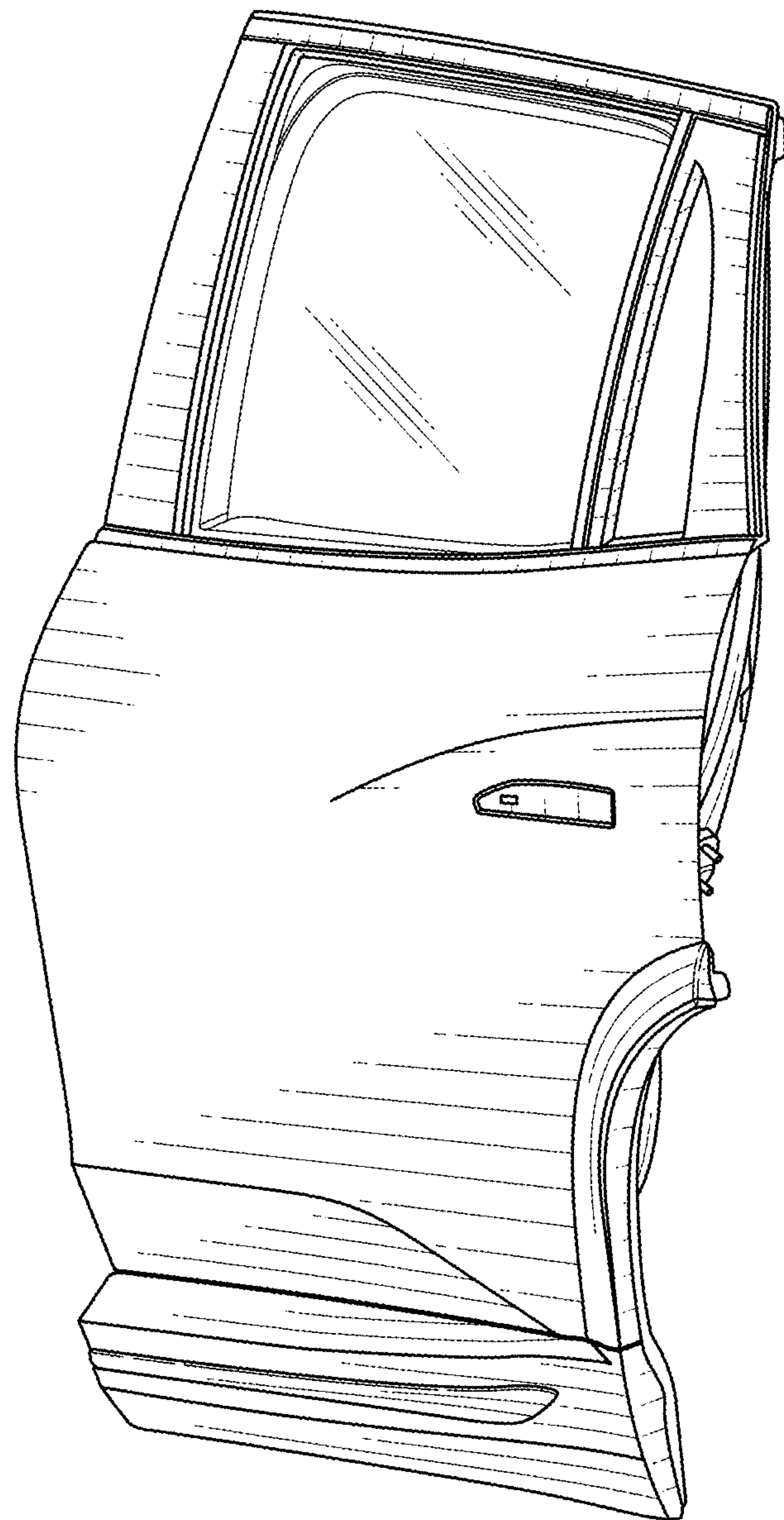


FIG. 7

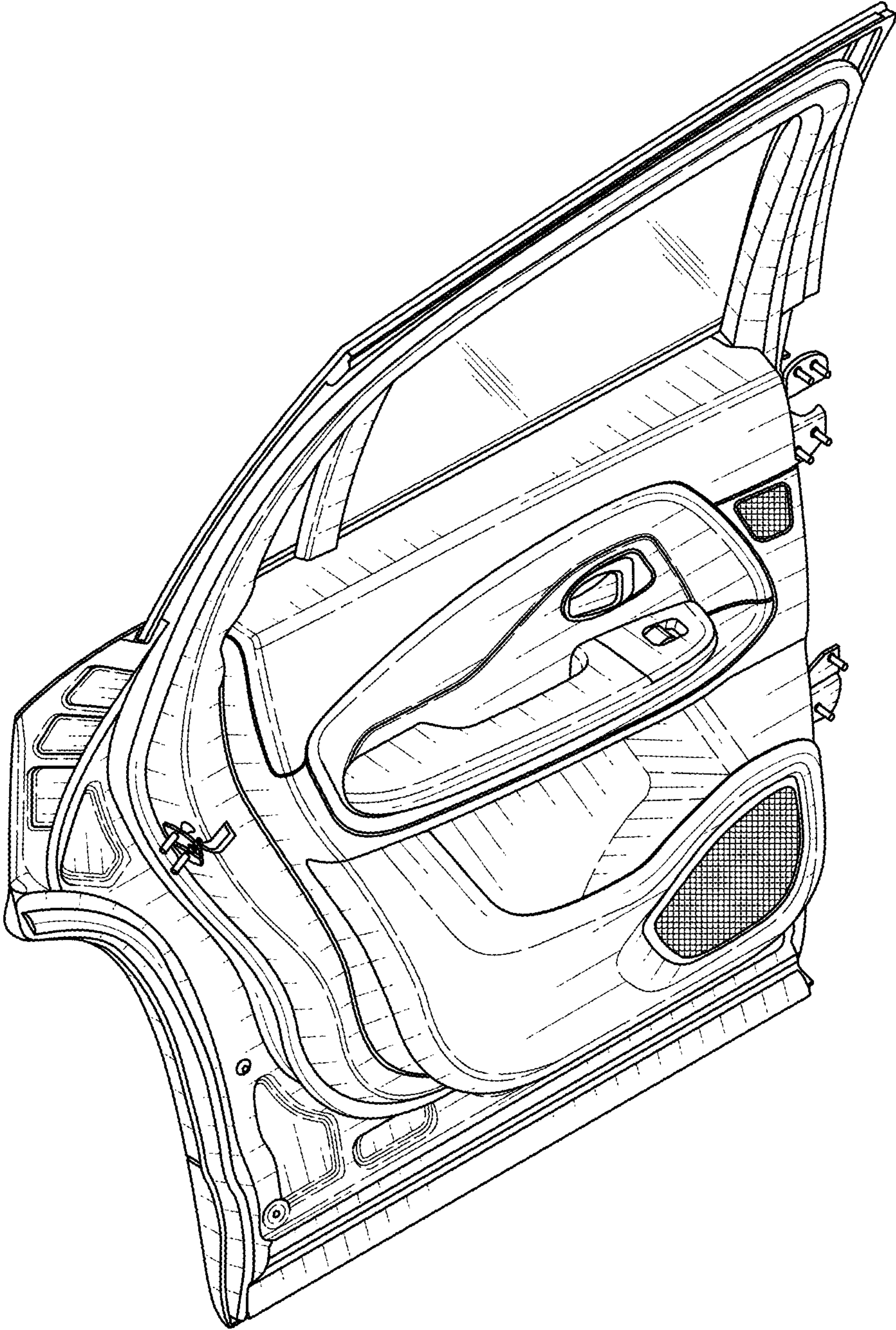


FIG. 8