

US00D836514S

(12) **United States Design Patent** (10) **Patent No.:** **US D836,514 S**
Akrapovic et al. (45) **Date of Patent:** **** Dec. 25, 2018**

(54) **EXHAUST PIPE**
(71) Applicant: **Igor Akrapovic**, Ljubljana (SI)
(72) Inventors: **Igor Akrapovic**, Ljubljana (SI);
Andraz Kranjc, Loka Pri Zidanem
Mostu (SI); **Marko Besal**, Smarjeske
Toplice (SI); **Boris Stanic**, Koper (SI)

(**) Term: **15 Years**
(21) Appl. No.: **35/503,949**

(22) Filed: **Aug. 2, 2017**

(80) **Hague Agreement Data**

Int. Filing Date: **Aug. 2, 2017**
Int. Reg. No.: **DM/098325**
Int. Reg. Date: **Aug. 2, 2017**
Int. Reg. Pub. Date: **Nov. 17, 2017**

(30) **Foreign Application Priority Data**

Apr. 19, 2017 (EM) 003863190

(51) **LOC (11) Cl.** **12-16**

(52) **U.S. Cl.**
USPC **D12/194**

(58) **Field of Classification Search**
USPC D23/205, 209, 323, 330; D12/194;
D15/5
CPC F01N 13/08; F01N 13/082; F01N 13/085;
F01N 13/087; F01N 1/00; F01N 1/003;
F01N 1/02; F01N 1/04; F01N 1/10; F01N
1/24

See application file for complete search history.

(56) **References Cited**

U.S. PATENT DOCUMENTS

D550,134 S * 9/2007 Akrapovic D12/194
D573,520 S * 7/2008 Kouchi D12/194

D573,521 S * 7/2008 Hsu D12/194
D589,422 S * 3/2009 Davis, Jr. D12/194
D597,915 S * 8/2009 Bhambra D12/194
D804,381 S * 12/2017 Akrapovic D12/194
D804,382 S * 12/2017 Akrapovic F01N 1/10
D12/194
D804,383 S * 12/2017 Akrapovic D12/194
D816,570 S * 5/2018 Akrapovic F01N 13/20
D12/194
2004/0089500 A1 * 5/2004 Lewis F01N 1/10
181/249
2008/0121456 A1 * 5/2008 Davis F01N 13/20
180/309

* cited by examiner

Primary Examiner — George D. Kirschbaum
Assistant Examiner — Joseph J Kukella
(74) *Attorney, Agent, or Firm* — Olson & Cepuritis, Ltd.;
William P. Oberhardt; Anita M. Cepuritis

(57) **CLAIM**

The ornamental design for an exhaust pipe, as shown and described.

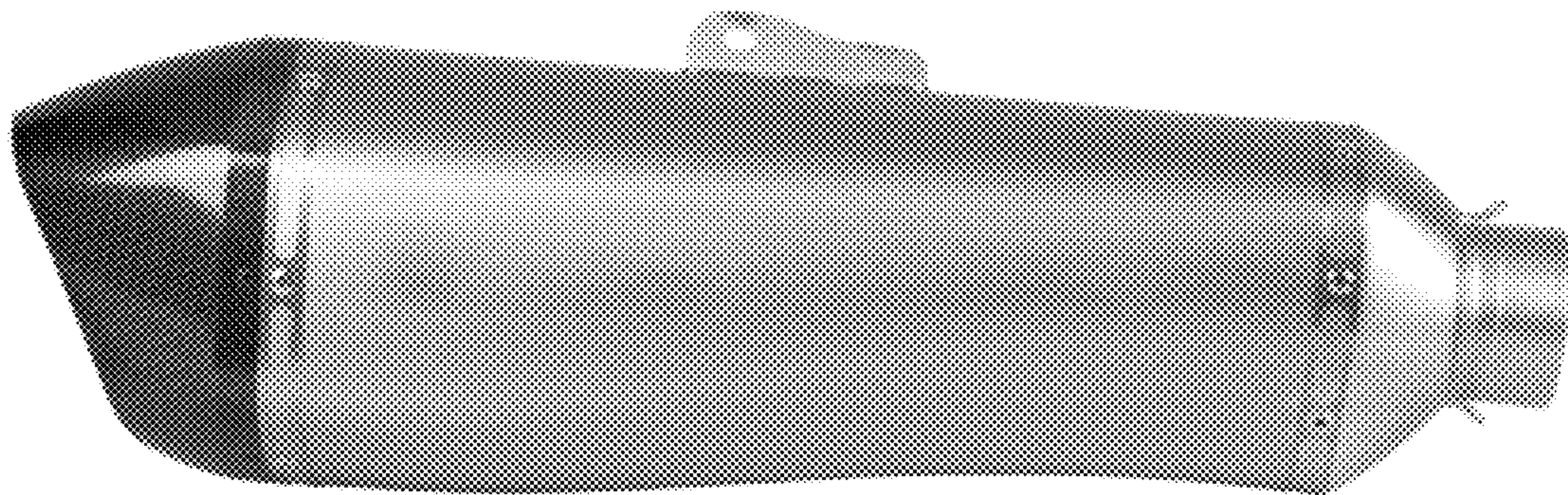
DESCRIPTION

- 1. Exhaust pipe
- 1.1 : Right
- 1.2 : Left
- 1.3 : Top
- 1.4 : Bottom
- 1.5 : Front
- 1.6 : Back
- 1.7 : Perspective
- 1.8 : Perspective
- 1.9 : Perspective
- 1.10 : Perspective

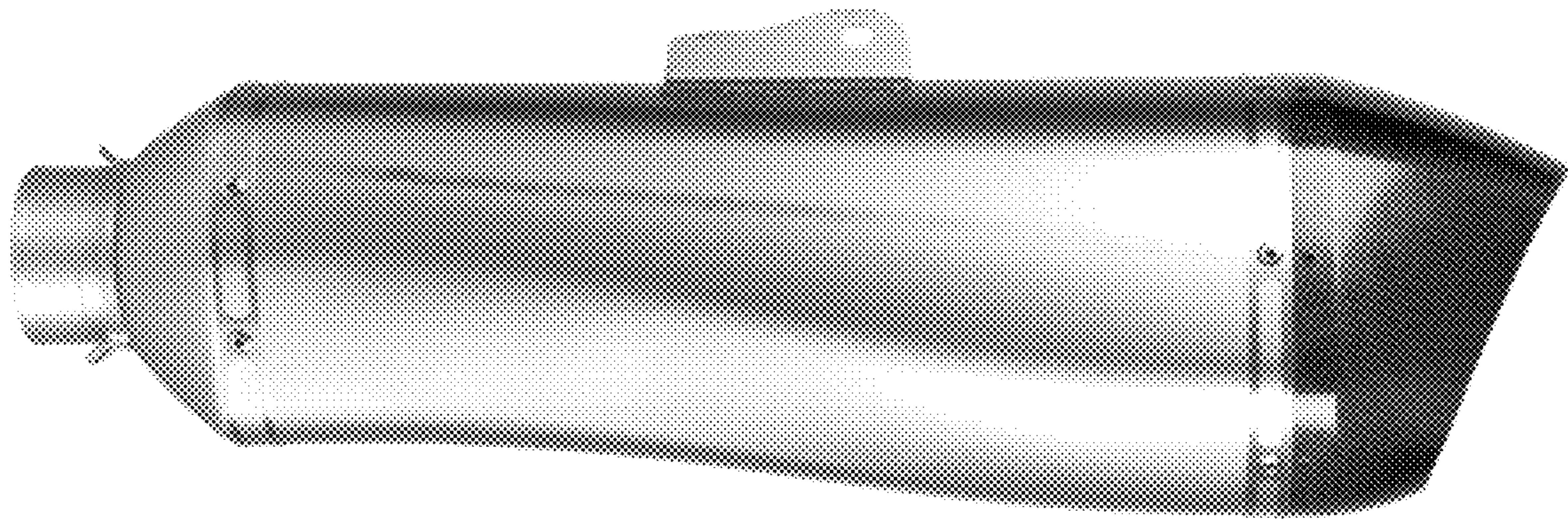
1 Claim, 10 Drawing Sheets



1.1



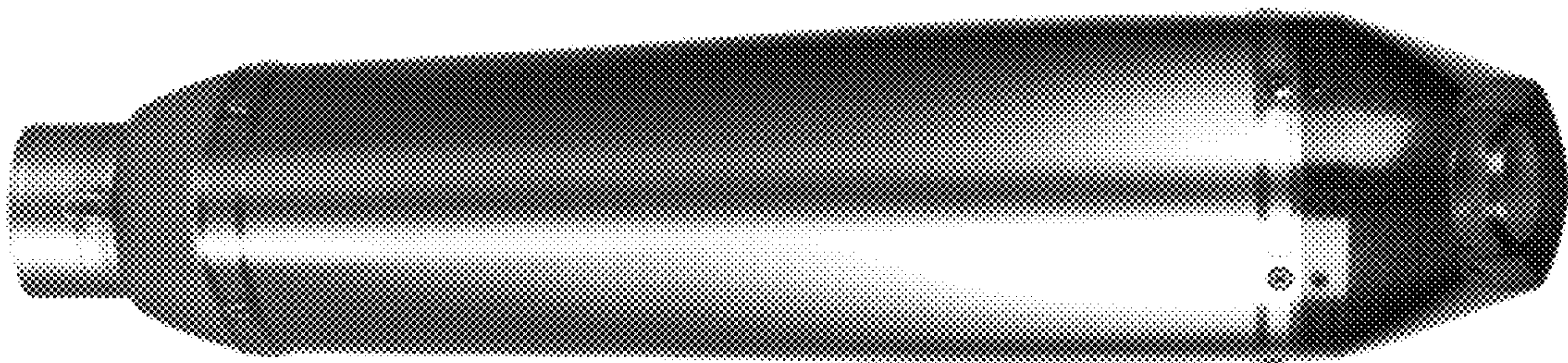
1.2



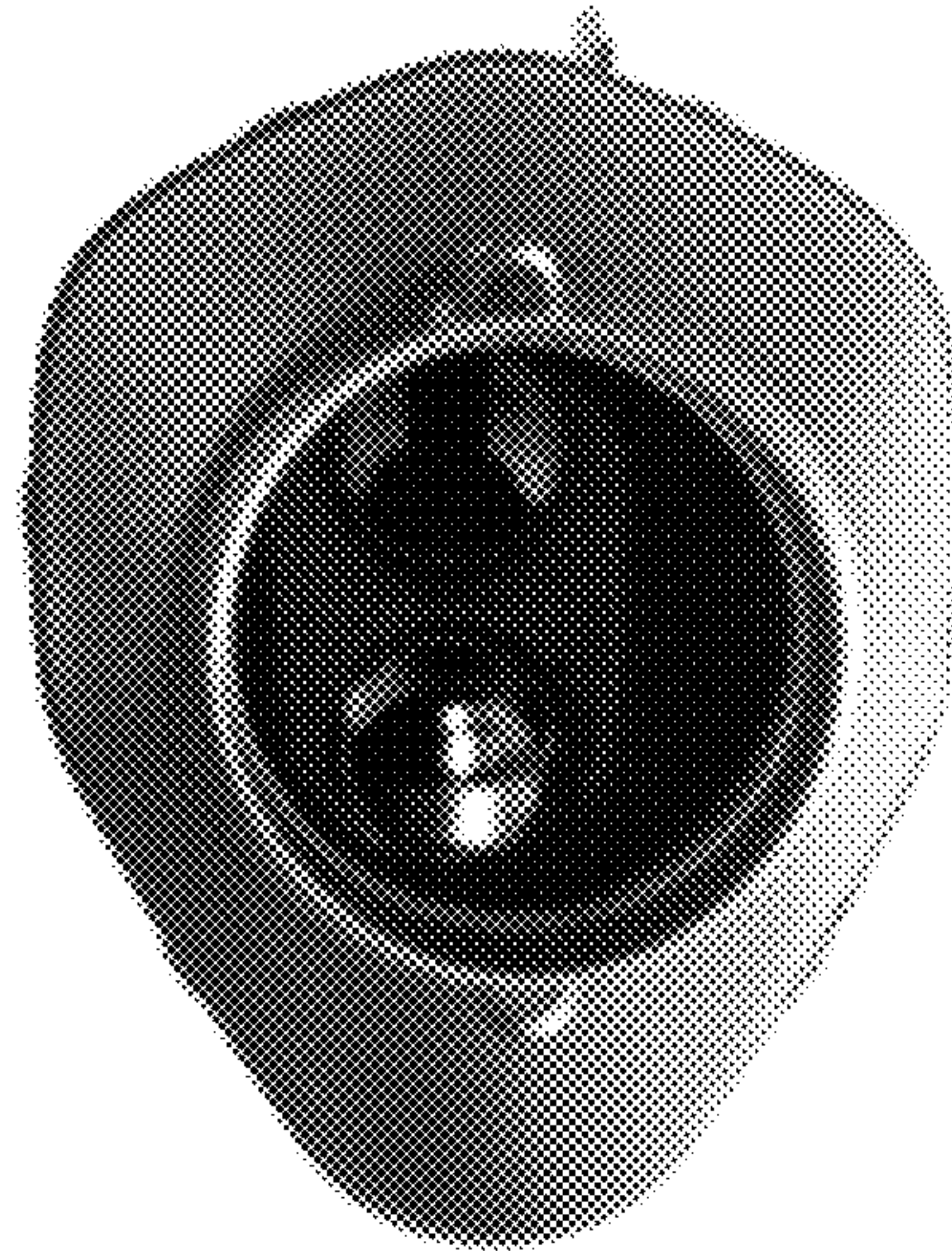
1.3



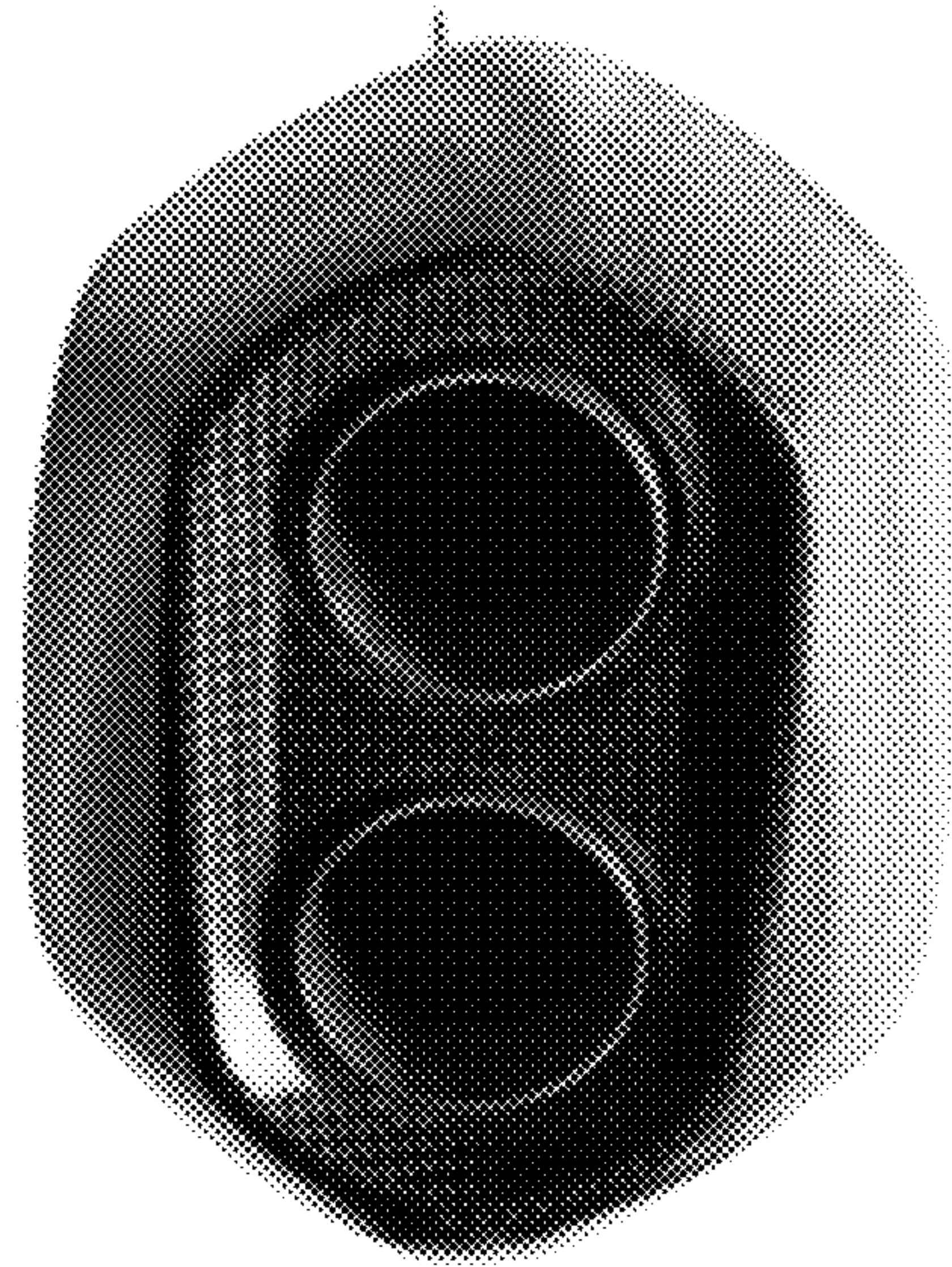
1.4



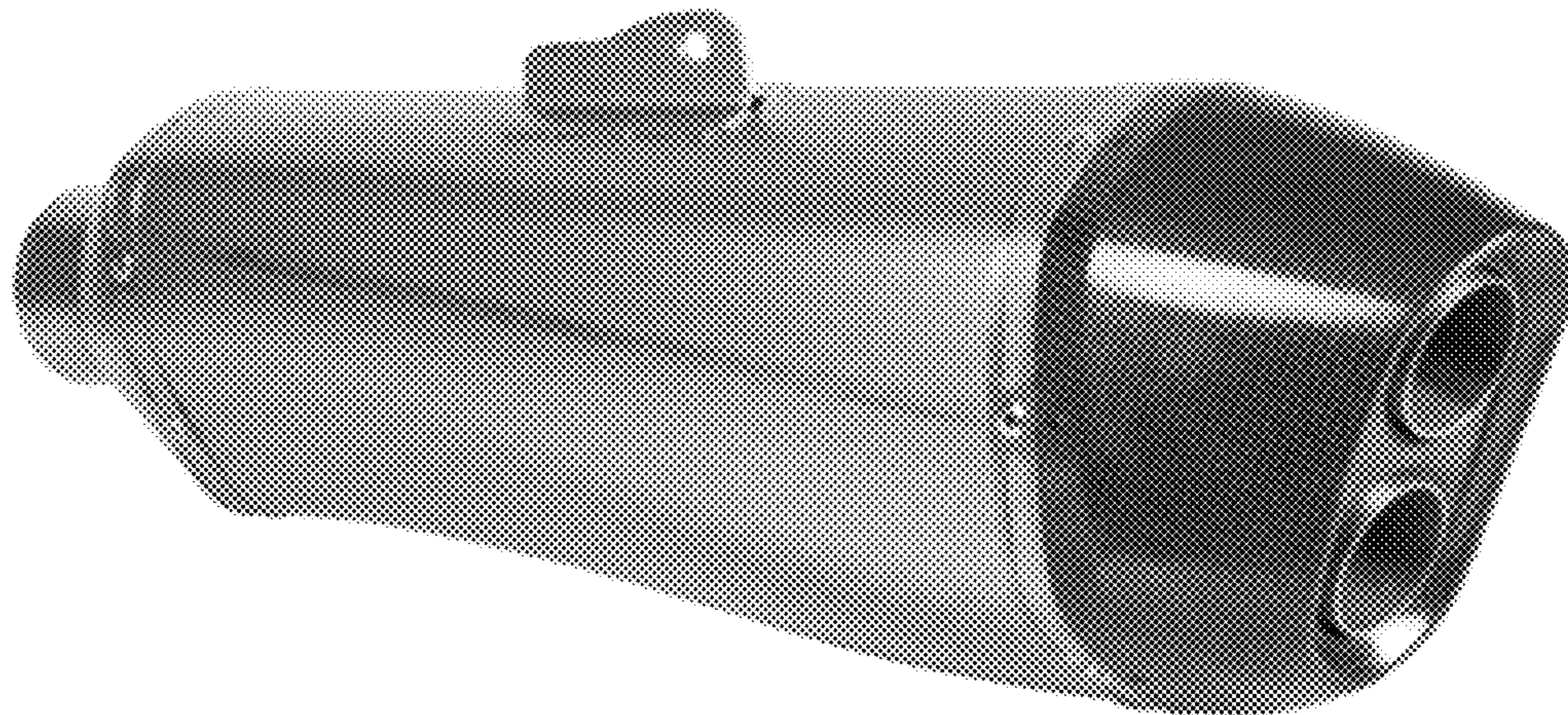
1.5



1.6



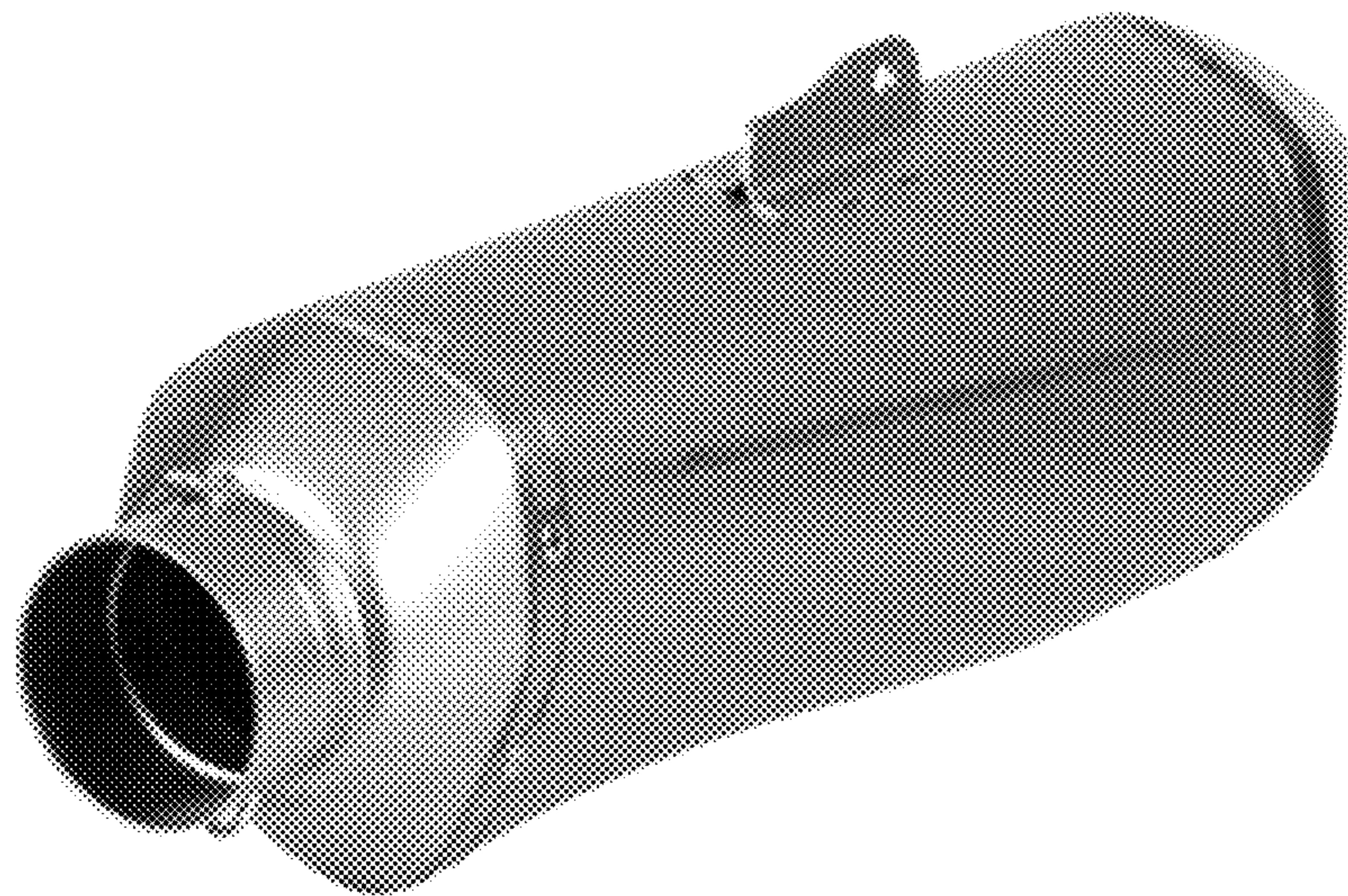
1.7



1.8



1.9



1.10

