



US00D836513S

(12) **United States Design Patent**  
**Kanzal Venkatesha et al.**

(10) **Patent No.:** **US D836,513 S**  
(45) **Date of Patent:** **\*\* Dec. 25, 2018**

(54) **RIBBED CONVOLUTION MUFFLER**

(71) Applicant: **General Electric Company,**  
Schenectady, NY (US)

(72) Inventors: **Sandeep Kanzal Venkatesha,**  
Bangalore (IN); **Chandrakesavan**  
**Balasubramanian,** Bangalore (IN);  
**Ravindra Parihar,** Bangalore (IN);  
**Dattatraya Bhagoji,** Bangalore (IN)

(73) Assignee: **General Electric Company,**  
Schenectady, NY (US)

(\*\*) Term: **15 Years**

(21) Appl. No.: **29/593,368**

(22) Filed: **Feb. 8, 2017**

(51) **LOC (11) Cl.** ..... **12-16**

(52) **U.S. Cl.**  
USPC ..... **D12/194**

(58) **Field of Classification Search**  
USPC ..... D12/194-195; D15/3, 5  
CPC ..... F01N 13/082; F01N 13/085; F01N 13/087  
See application file for complete search history.

(56) **References Cited**

**U.S. PATENT DOCUMENTS**

D267,968 S *	2/1983	Beach	.....	D12/194
5,095,860 A *	3/1992	Newell	.....	F01M 9/105
				123/195 C
D456,072 S *	4/2002	Mattsson	.....	D23/393
D475,781 S *	6/2003	Mattsson	.....	D23/393
7,217,361 B2 *	5/2007	Connor	.....	B01D 46/0005
				123/198 E
D596,649 S *	7/2009	Yan	.....	D15/5
7,726,443 B2 *	6/2010	Miyazawa	.....	F01N 1/00
				181/231
D694,689 S *	12/2013	Maholick	.....	D12/194
D720,670 S *	1/2015	Maholick	.....	D12/194
D743,896 S	11/2015	Murphy et al.		

D743,897 S	11/2015	Krivosnak et al.		
D743,898 S	11/2015	Murphy et al.		
D743,899 S	11/2015	Murphy et al.		
D743,900 S	11/2015	Murphy et al.		
D743,901 S	11/2015	Murphy et al.		
D743,902 S	11/2015	Murphy et al.		
D743,903 S	11/2015	Krivosnak et al.		
D743,910 S	11/2015	Murphy et al.		
D745,840 S *	12/2015	Maholick	.....	D12/194
D759,602 S	6/2016	Murphy et al.		
D760,655 S	7/2016	Murphy et al.		
D760,658 S	7/2016	Perlaguri et al.		
D799,657 S *	10/2017	Sullivan	.....	D23/365
D812,104 S *	3/2018	Tomlinson	.....	D15/5

(Continued)

**FOREIGN PATENT DOCUMENTS**

WO WO-2017142181 A1 \* 12/2007 ..... F01N 13/002

*Primary Examiner* — Kevin K Rudzinski

*Assistant Examiner* — Kathleen L Jones

(74) *Attorney, Agent, or Firm* — McCoy Russell LLP

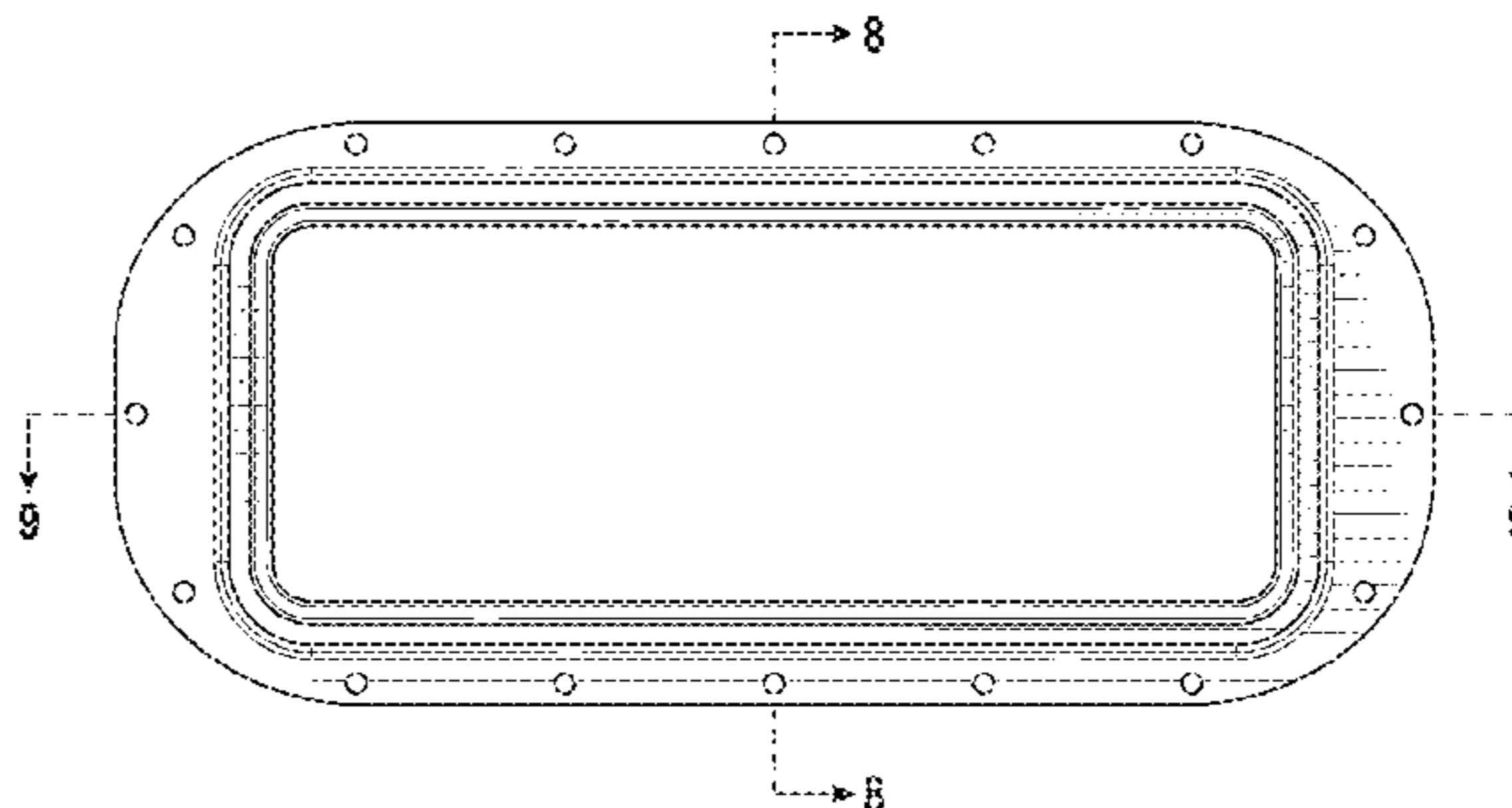
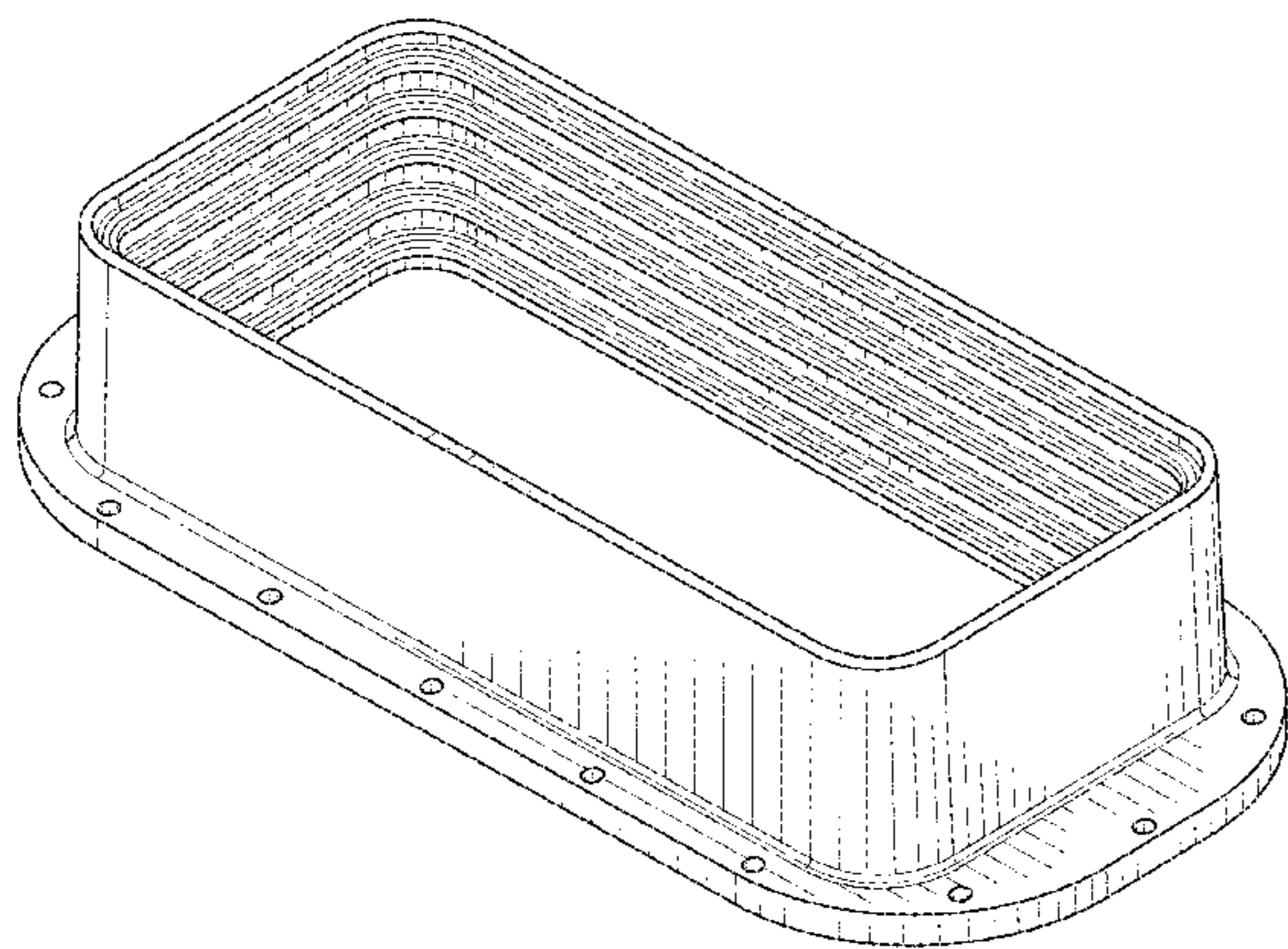
(57) **CLAIM**

The ornamental design for a ribbed convolution muffler, as shown and described.

**DESCRIPTION**

FIG. 1 is a perspective view of a ribbed convolution muffler depicting a new design;  
 FIG. 2 is a top plan view thereof;  
 FIG. 3 is a bottom plan view thereof;  
 FIG. 4 is a front view thereof;  
 FIG. 5 is a rear view thereof;  
 FIG. 6 is a left side view thereof;  
 FIG. 7 is a right side view thereof;  
 FIG. 8 is cross-sectional view thereof taken along the line marked 8 in FIG. 2; and,  
 FIG. 9 is a cross-sectional view thereof taken along the line marked 9 in FIG. 2.

**1 Claim, 5 Drawing Sheets**



(56)

**References Cited**

U.S. PATENT DOCUMENTS

D818,503 S \* 5/2018 Tomlinson ..... D15/5  
D819,698 S \* 6/2018 Krull ..... D15/5  
2005/0155818 A1\* 7/2005 Wirtz ..... F01N 1/006  
181/269  
2008/0001040 A1\* 1/2008 Franks ..... F16B 19/00  
248/74.3  
2009/0013673 A1\* 1/2009 Mukaida ..... F01N 1/089  
60/299  
2010/0242425 A1\* 9/2010 Swanson ..... B01D 46/2411  
55/498  
2012/0204846 A1\* 8/2012 Schultz ..... F02M 25/06  
123/573  
2016/0045848 A1\* 2/2016 Campbell ..... B01D 46/525  
55/357

\* cited by examiner

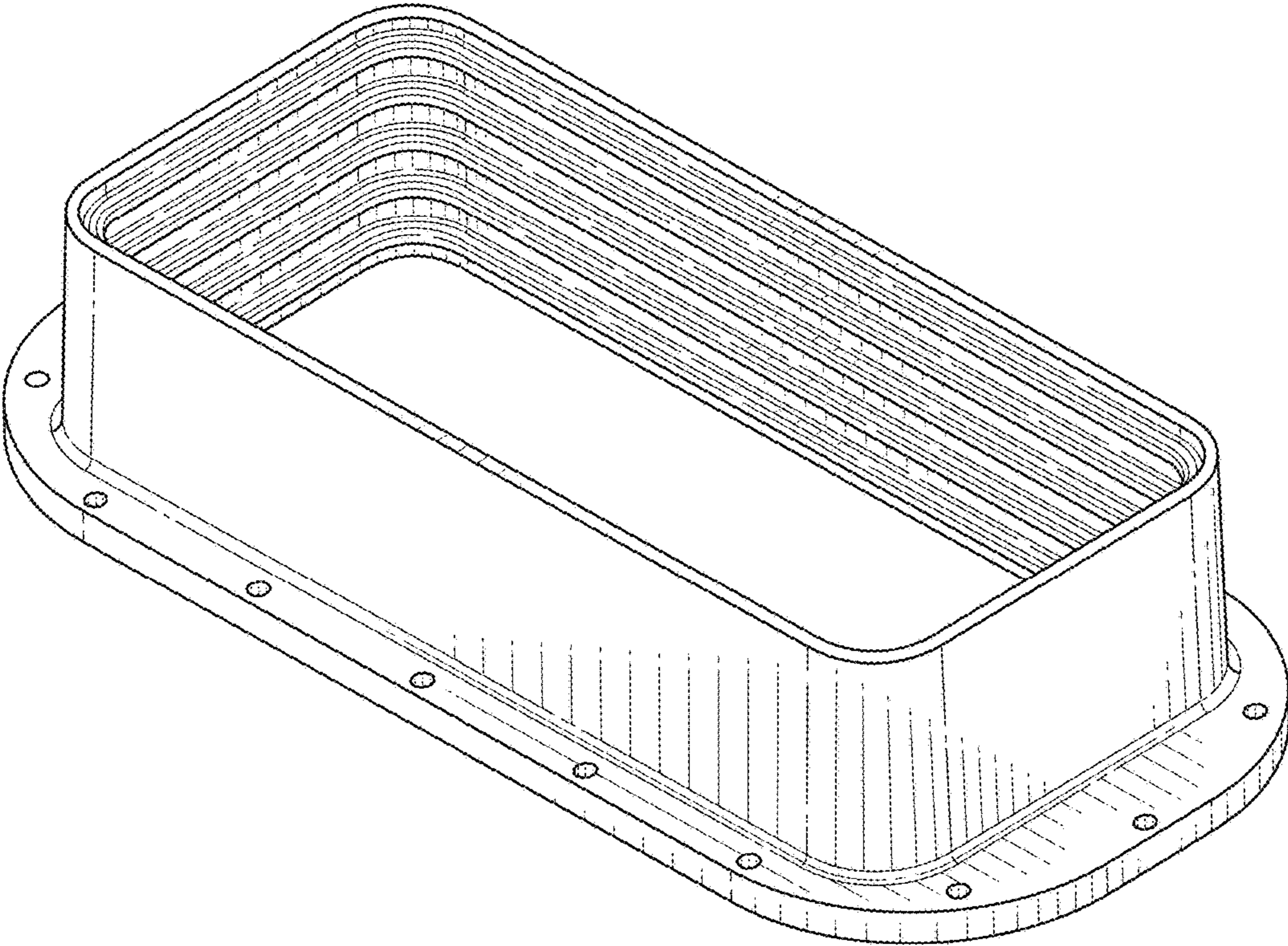


FIG. 1

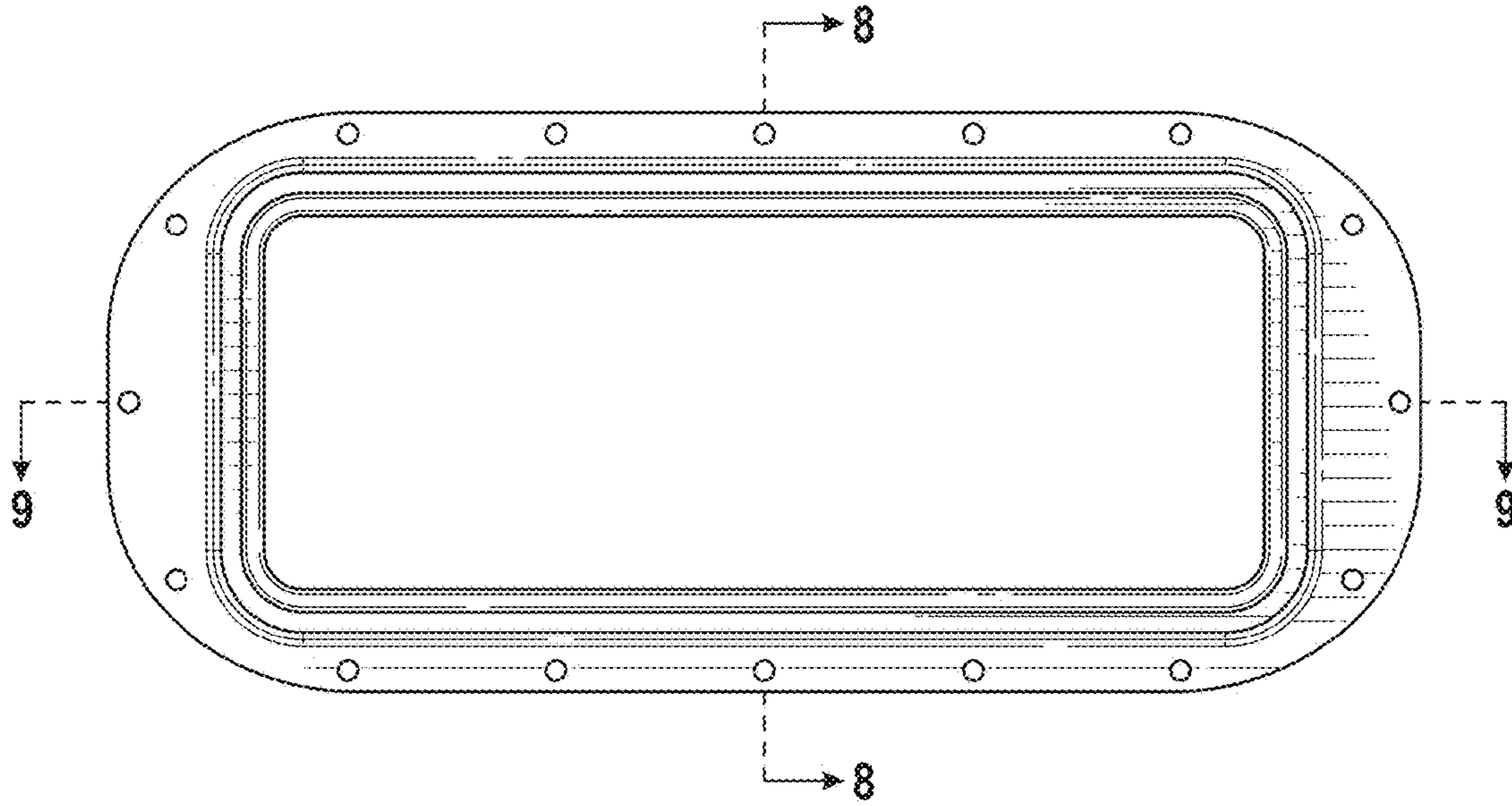


FIG. 2

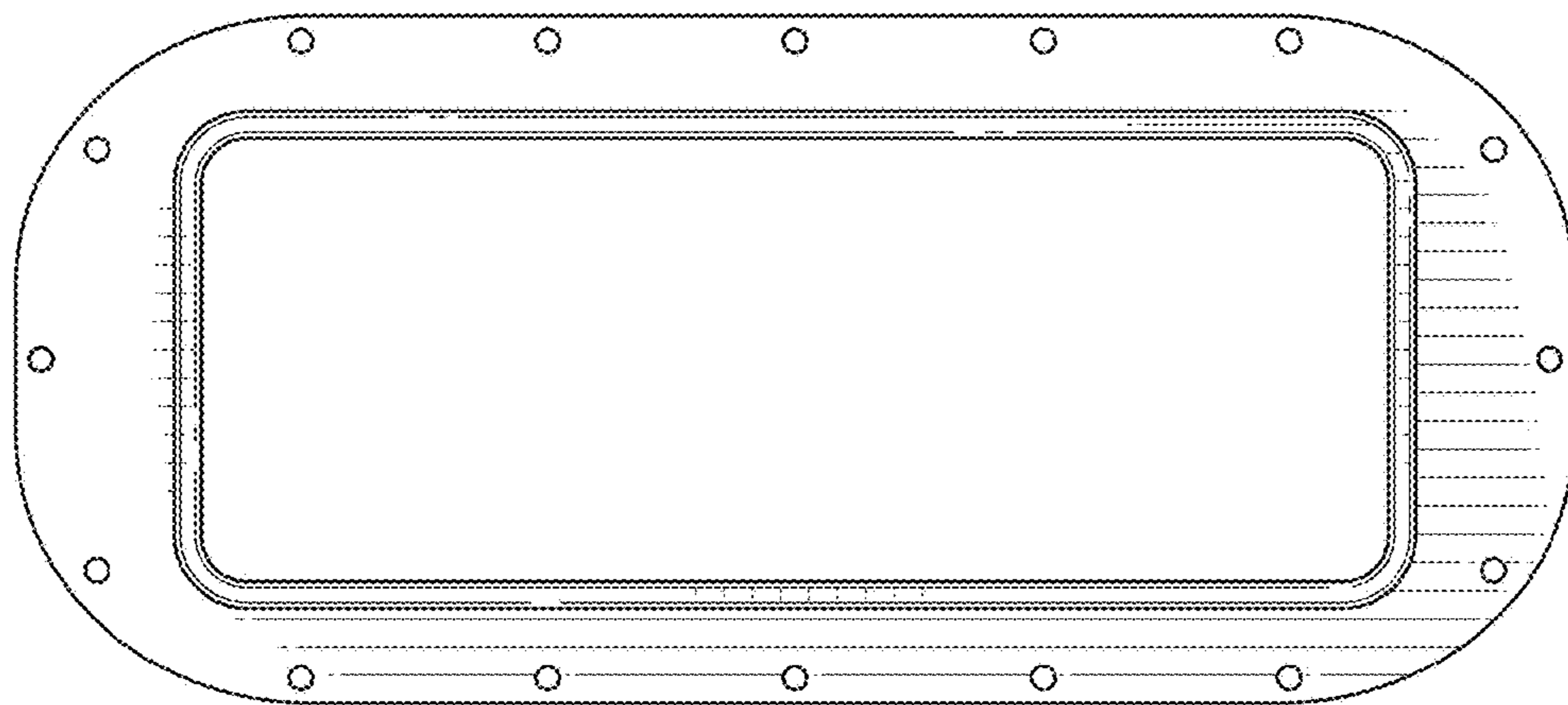


FIG. 3

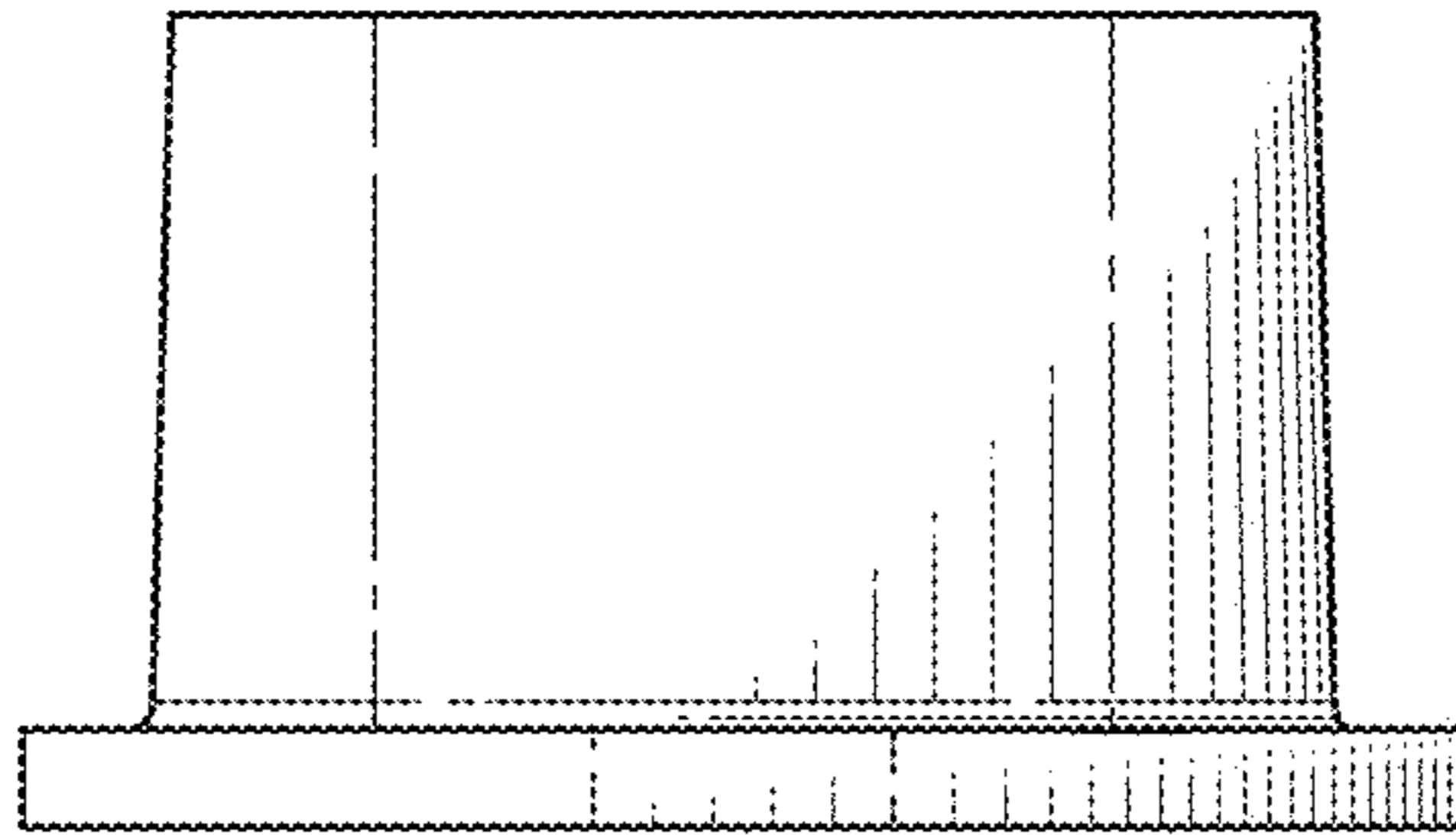


FIG. 4

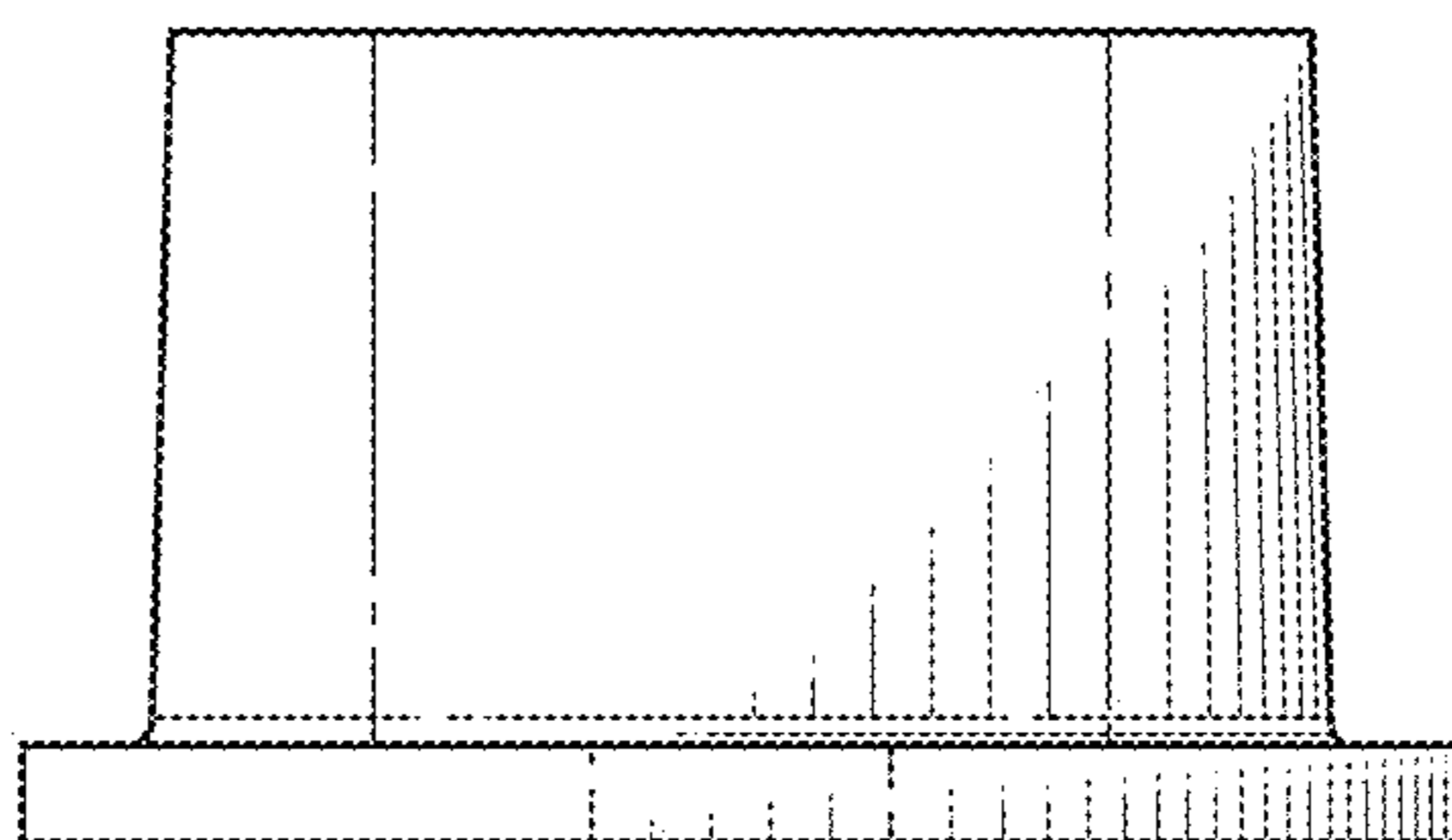


FIG. 5

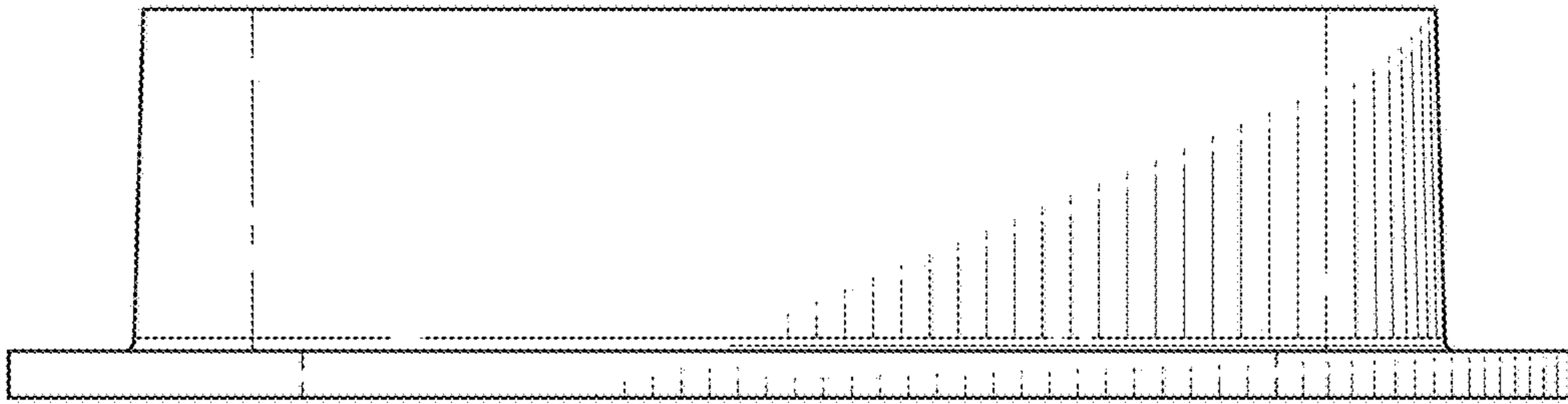


FIG. 6

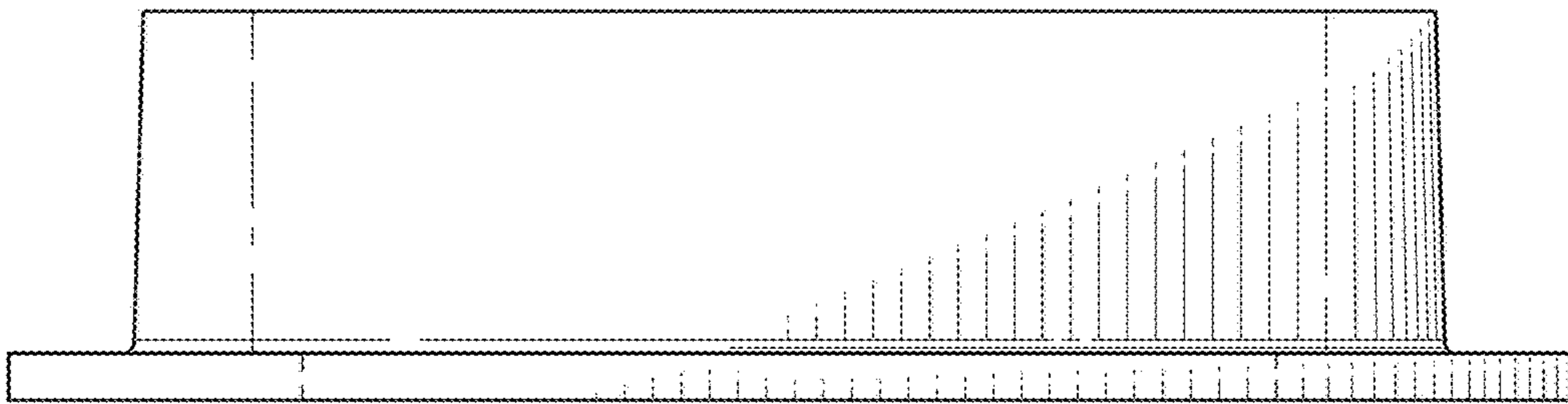


FIG. 7

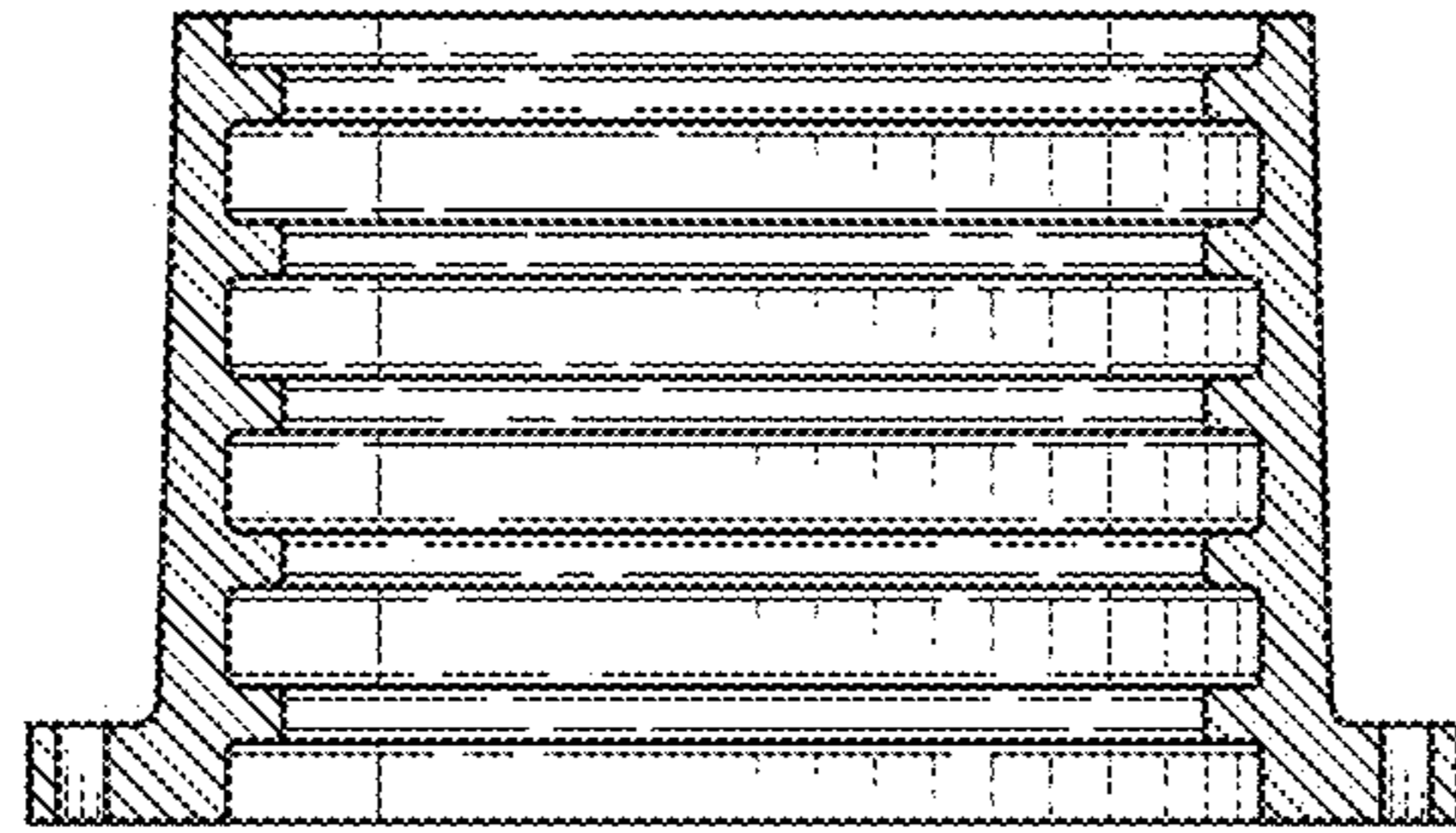


FIG. 8



FIG. 9