



US00D836512S

(12) **United States Design Patent**  
**Goplen et al.**

(10) **Patent No.:** **US D836,512 S**

(45) **Date of Patent:** **\*\* Dec. 25, 2018**

(54) **GASEOUS DILUTER**

2,586,788 A 2/1952 Cushman  
4,198,817 A \* 4/1980 Fujita ..... F01N 3/05  
60/319

(71) Applicant: **Nelson Global Products, Inc.,**  
Stoughton, WI (US)

D254,904 S 5/1980 Swearingen  
4,227,651 A 10/1980 Abe  
D451,925 S 12/2001 Williams

(72) Inventors: **Kevin Goplen**, Deerfield, WI (US);  
**Robert Schellin**, Stoughton, WI (US);  
**Richard Stovall**, Knoxville, TN (US);  
**John Cupp**, Knoxville, TN (US)

(Continued)

*Primary Examiner* — Michael A. Pratt

(74) *Attorney, Agent, or Firm* — Smith Law Office; Jeffrey W. Smith

(73) Assignee: **Nelson Global Products, Inc.,**  
Stoughton, WI (US)

(57) **CLAIM**

The ornamental design for a gaseous diluter, as shown and described.

(\*\*) Term: **15 Years**

**DESCRIPTION**

(21) Appl. No.: **29/575,741**

(22) Filed: **Aug. 29, 2016**

(51) **LOC (11) Cl.** ..... **12-16**

(52) **U.S. Cl.**  
USPC ..... **D12/194**

(58) **Field of Classification Search**  
USPC ..... D12/194; D15/5  
CPC ..... F01N 13/082; F01N 13/1805; F01N 13/20  
See application file for complete search history.

FIG. 1 is a lower front and right side perspective view of an embodiment of a gaseous diluter in accordance with our new design.

FIG. 2 is a front side view of the gaseous diluter of FIG. 1. FIG. 3 is a back side view of the gaseous diluter of FIG. 1. FIG. 4 is a top side view of the gaseous diluter of FIG. 1. FIG. 5 is a bottom side view of the gaseous diluter of FIG. 1.

FIG. 6 is a right end view of the gaseous diluter of FIG. 1. FIG. 7 is a left end view of the gaseous diluter of FIG. 1. FIG. 8 is a perspective view of another embodiment of a gaseous diluter in accordance with our new design.

FIG. 9 is a front side view of the gaseous diluter of FIG. 8. FIG. 10 is a back side view of the gaseous diluter of FIG. 8. FIG. 11 is a top side view of the gaseous diluter of FIG. 8. FIG. 12 is a bottom side view of the gaseous diluter of FIG. 8.

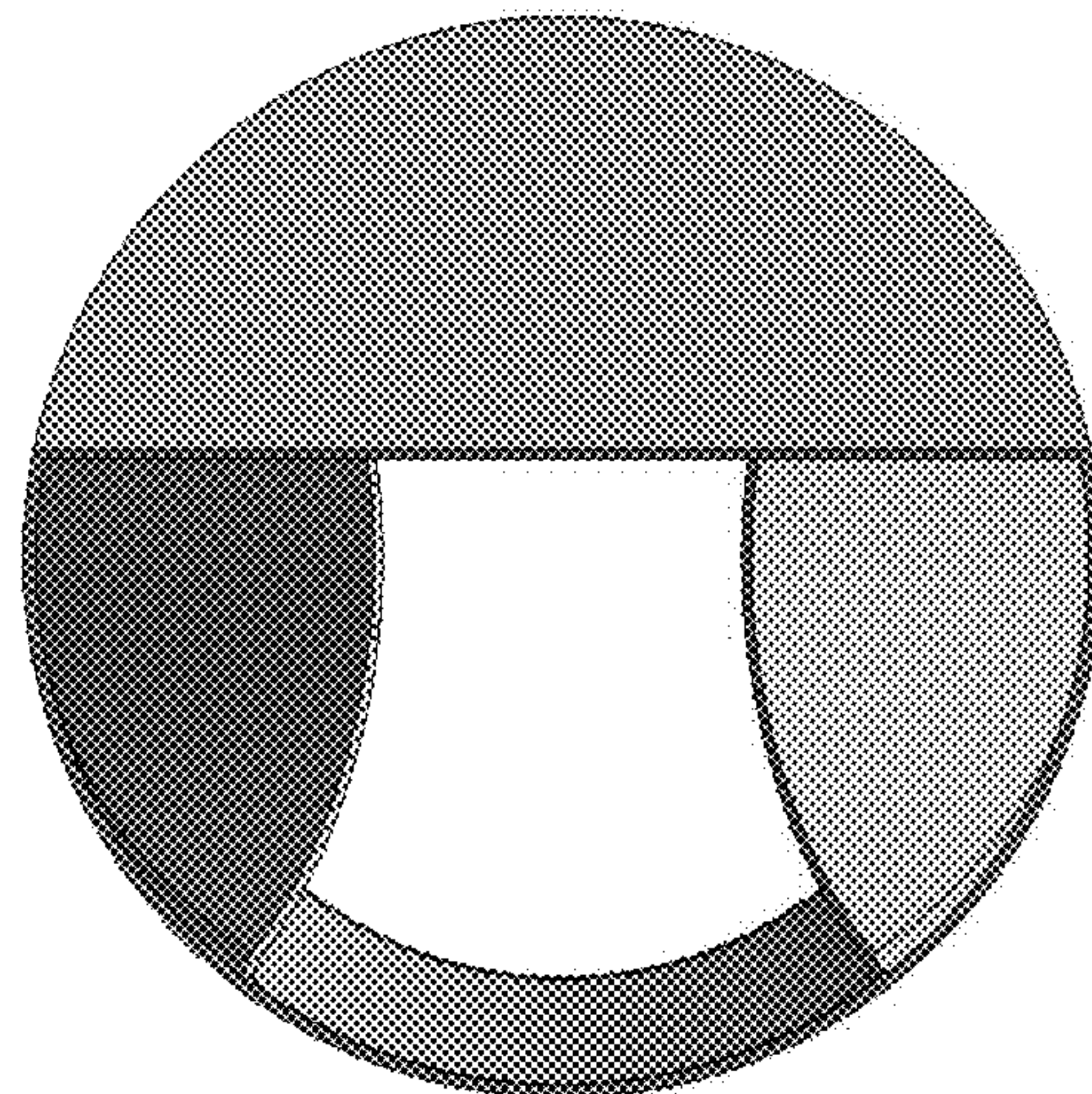
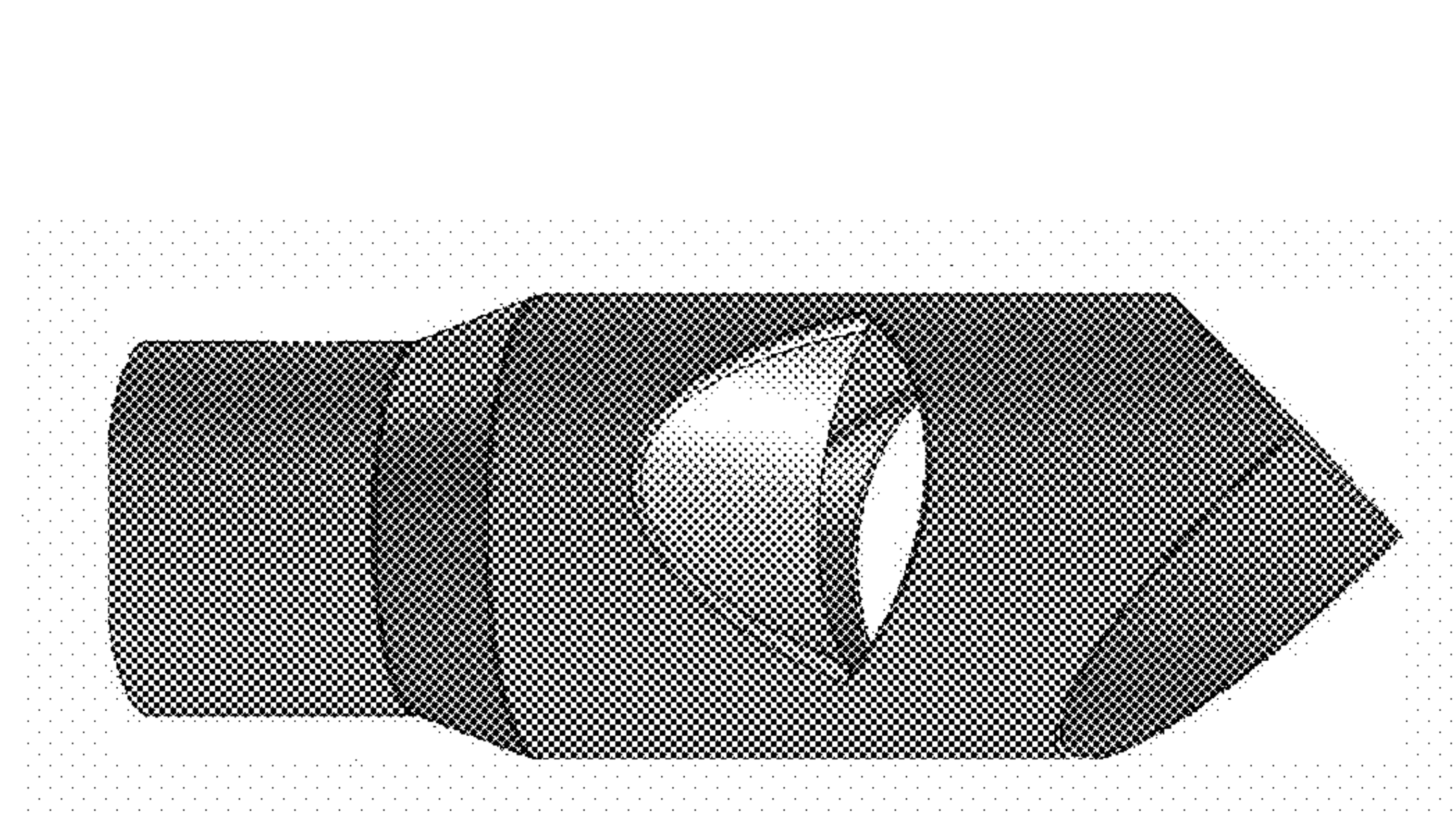
FIG. 13 is a right end view of the gaseous diluter of FIG. 8; and, FIG. 14 is a left end view of the gaseous diluter of FIG. 8.

(56) **References Cited**

U.S. PATENT DOCUMENTS

1,813,189 A	7/1931	Moore	
D111,977 S	11/1938	Koch	
D112,482 S	12/1938	Koch	
2,161,895 A	6/1939	Brenner	
2,192,922 A	3/1940	Lyon	
D124,393 S	12/1940	Russell	
D125,644 S *	3/1941	Russell	..... D12/194
2,252,228 A	8/1941	Koch, Jr.	
D159,864 S	8/1950	Russell	
D162,112 S	2/1951	Baker	

**1 Claim, 14 Drawing Sheets**



(56)

**References Cited**

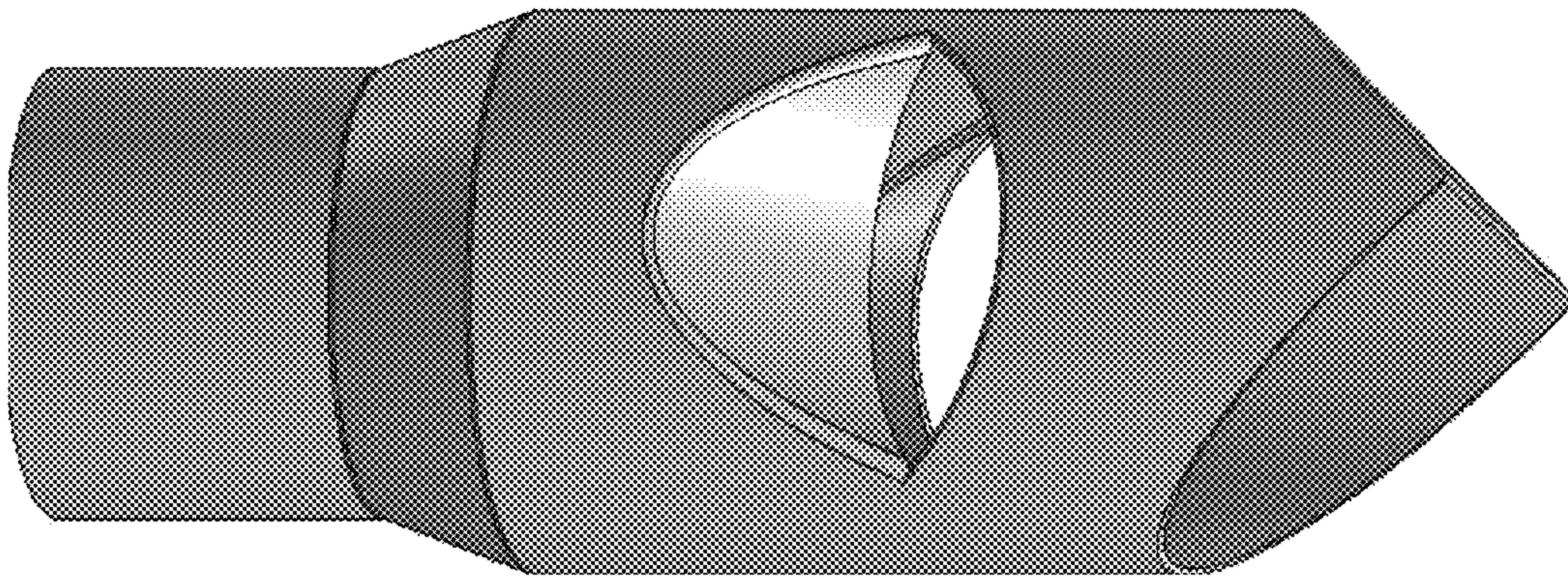
U.S. PATENT DOCUMENTS

D539,893	S	4/2007	Badick	
D558,111	S	12/2007	Banks, III	
7,637,099	B2	12/2009	Ranganathan et al.	
7,762,064	B2	7/2010	Tennison	
7,779,961	B2	8/2010	Matte	
7,913,489	B2	3/2011	Angoshtari et al.	
8,001,775	B2	8/2011	Krajewski et al.	
8,042,329	B2 *	10/2011	Saunders .....	F01N 13/082 60/317
8,056,327	B2	11/2011	Brown et al.	
8,272,210	B2	9/2012	Keller	
D669,012	S	10/2012	Spanos et al.	
8,341,948	B2	1/2013	Freese	
8,468,811	B2 *	6/2013	Smith .....	F01N 13/082 60/317
8,534,056	B2	9/2013	Batdorff	
D734,229	S *	7/2015	Derks .....	D12/194
2011/0239637	A1	10/2011	Ochsner et al.	
2012/0017566	A1	1/2012	Krajewski et al.	
2014/0182718	A1	7/2014	Wolfcarius et al.	

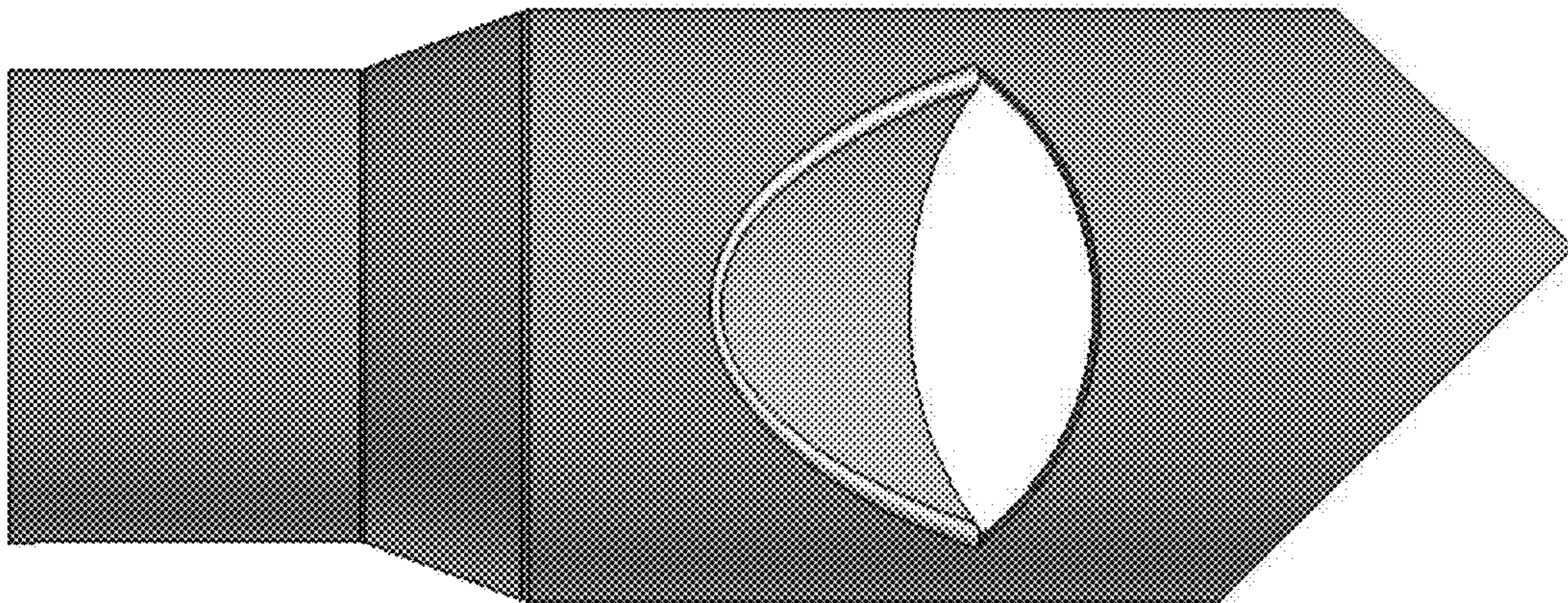
\* cited by examiner



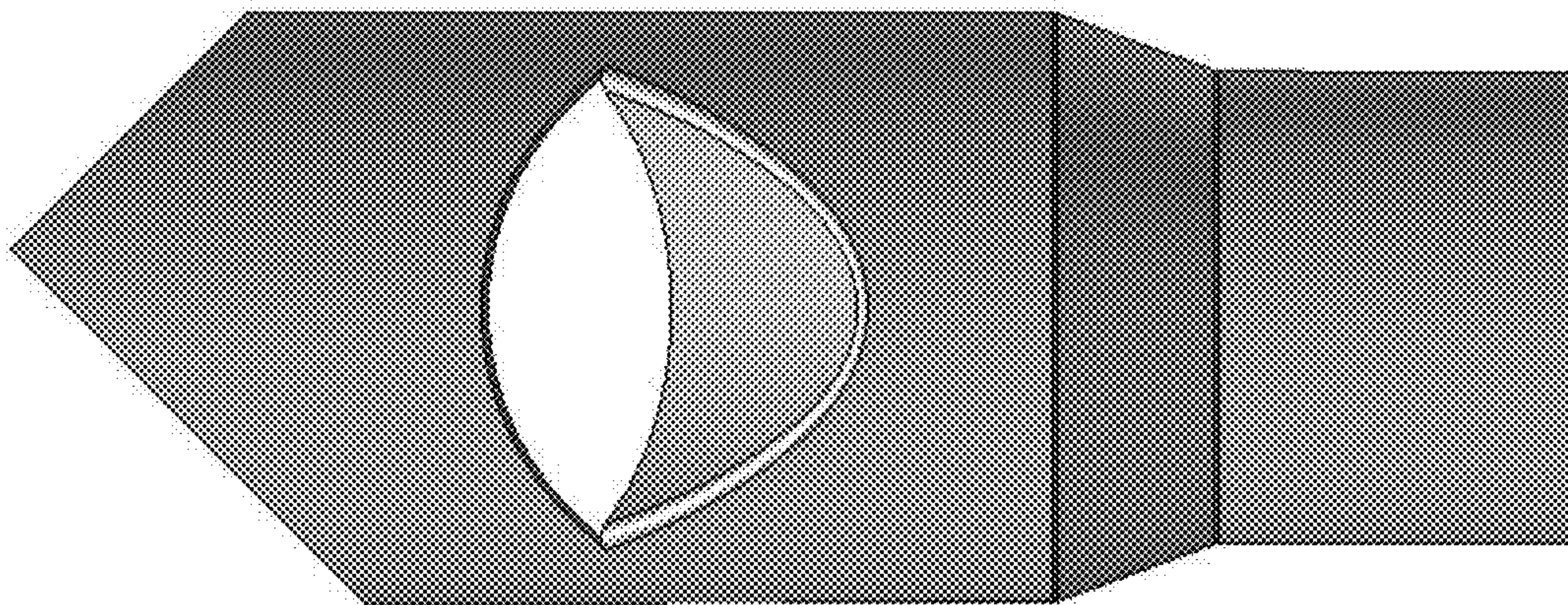
**Fig. 1**



**Fig. 2**

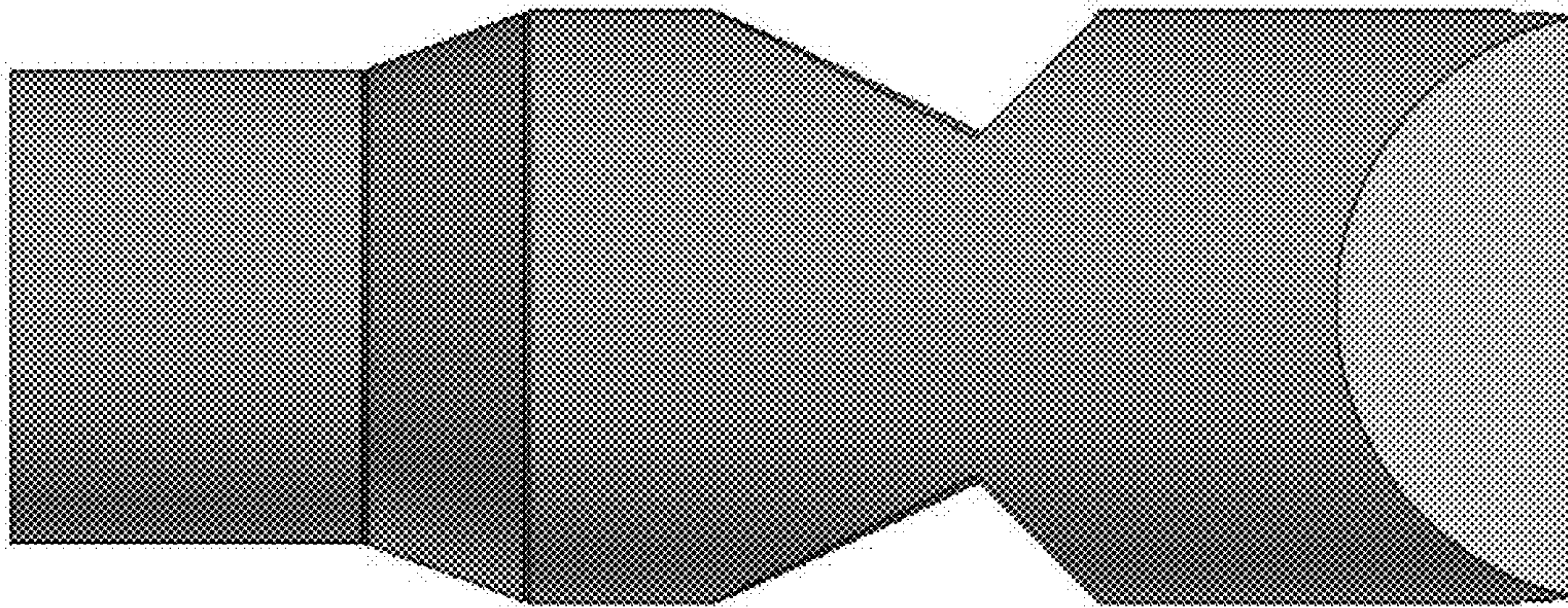


**Fig. 3**

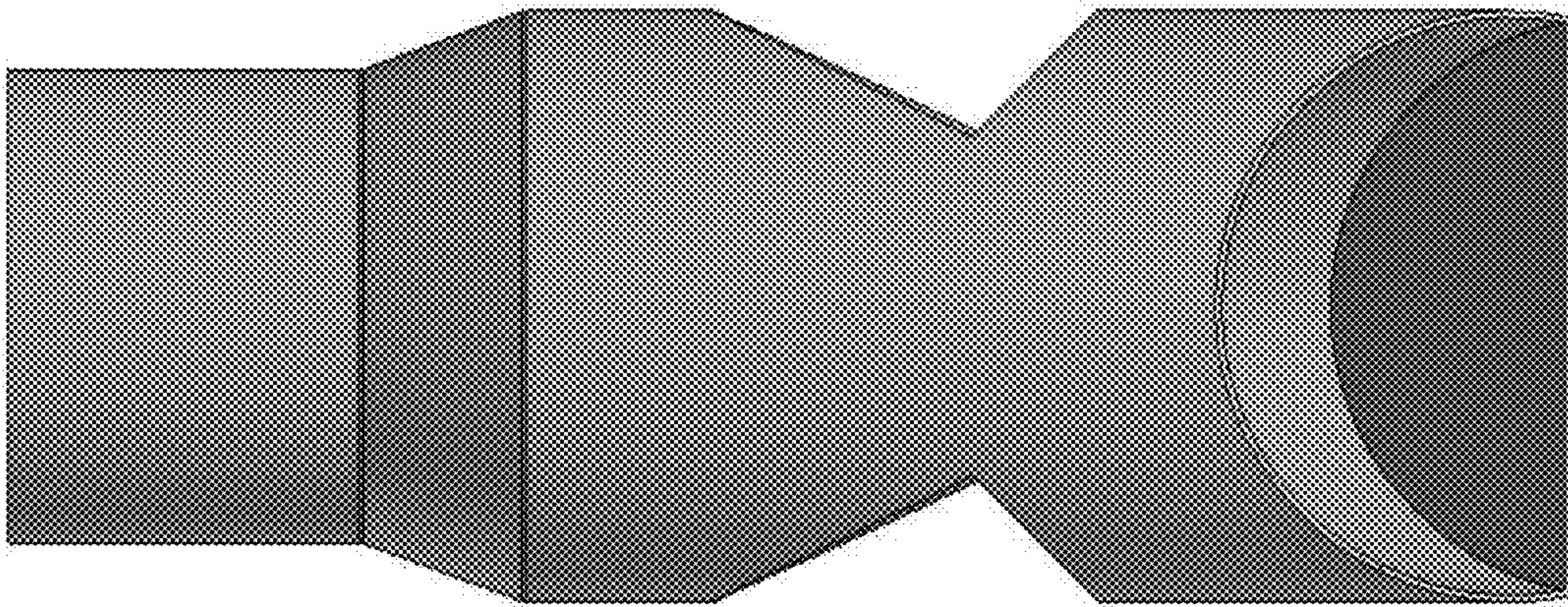




**Fig. 4**

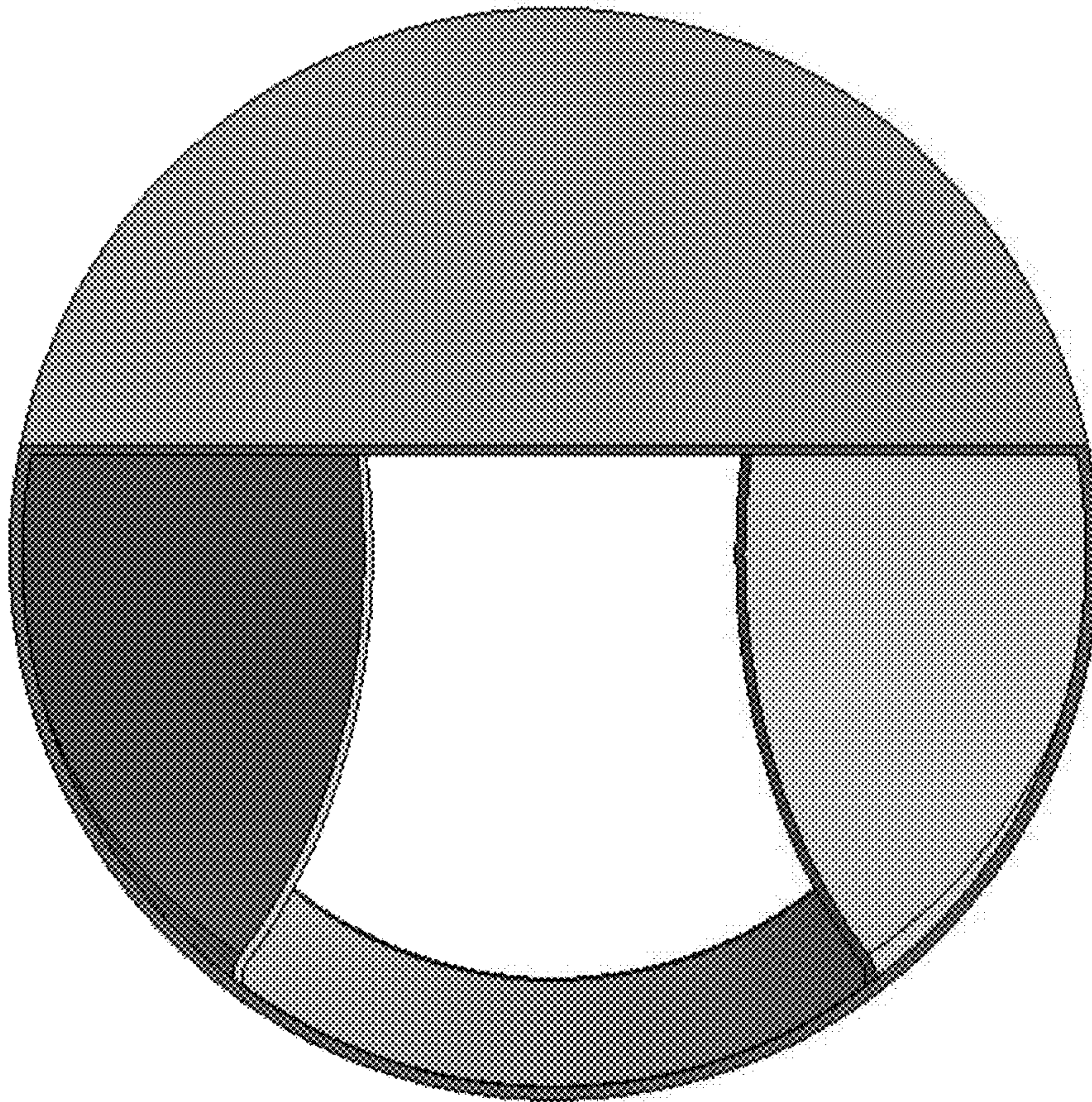


**Fig. 5**





**Fig. 6**





**Fig. 7**

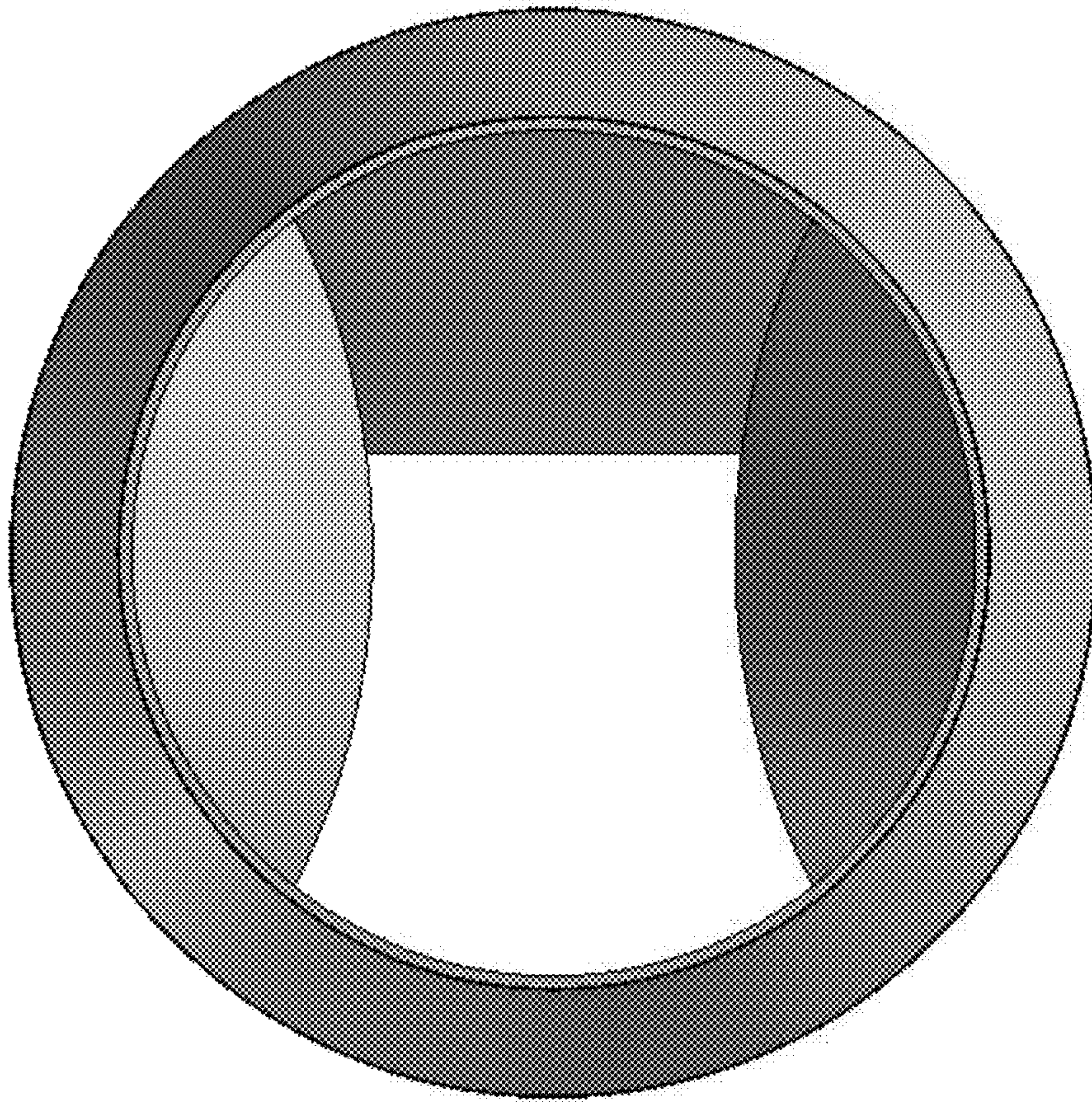
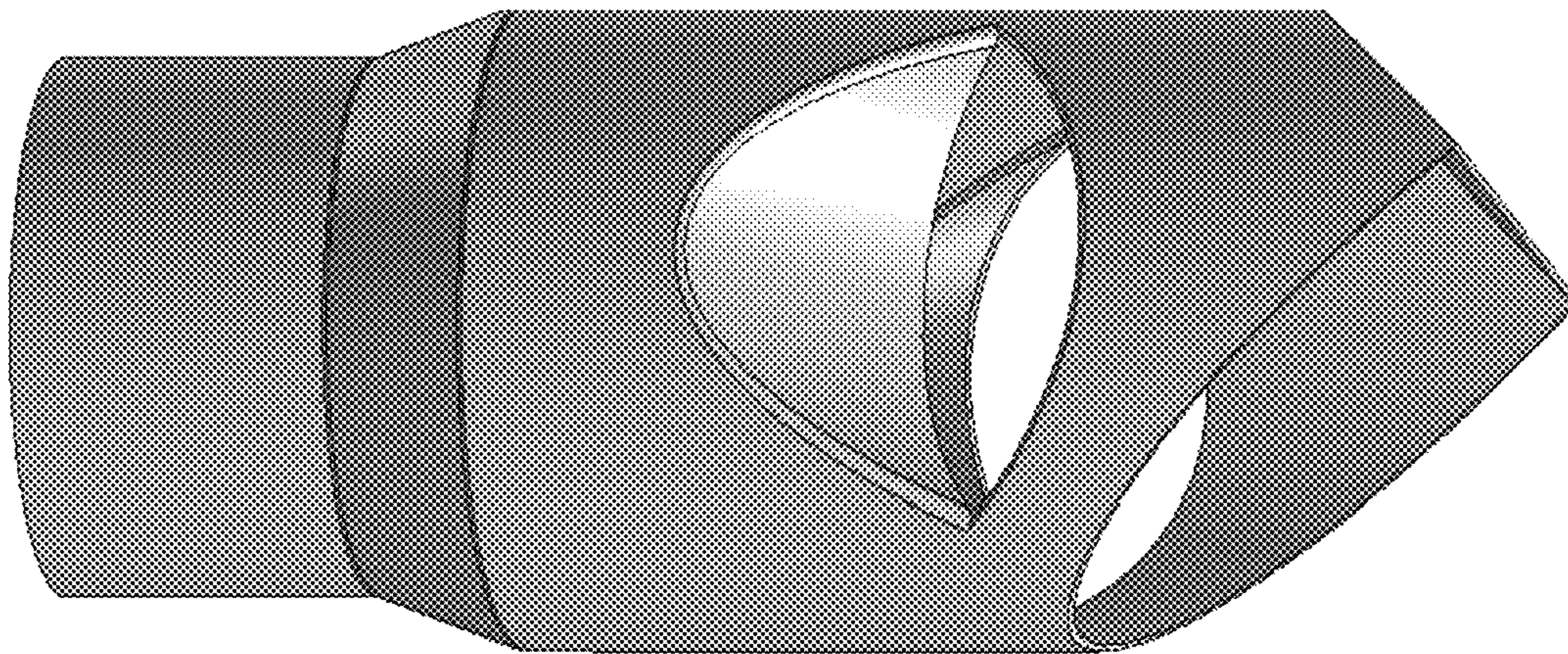
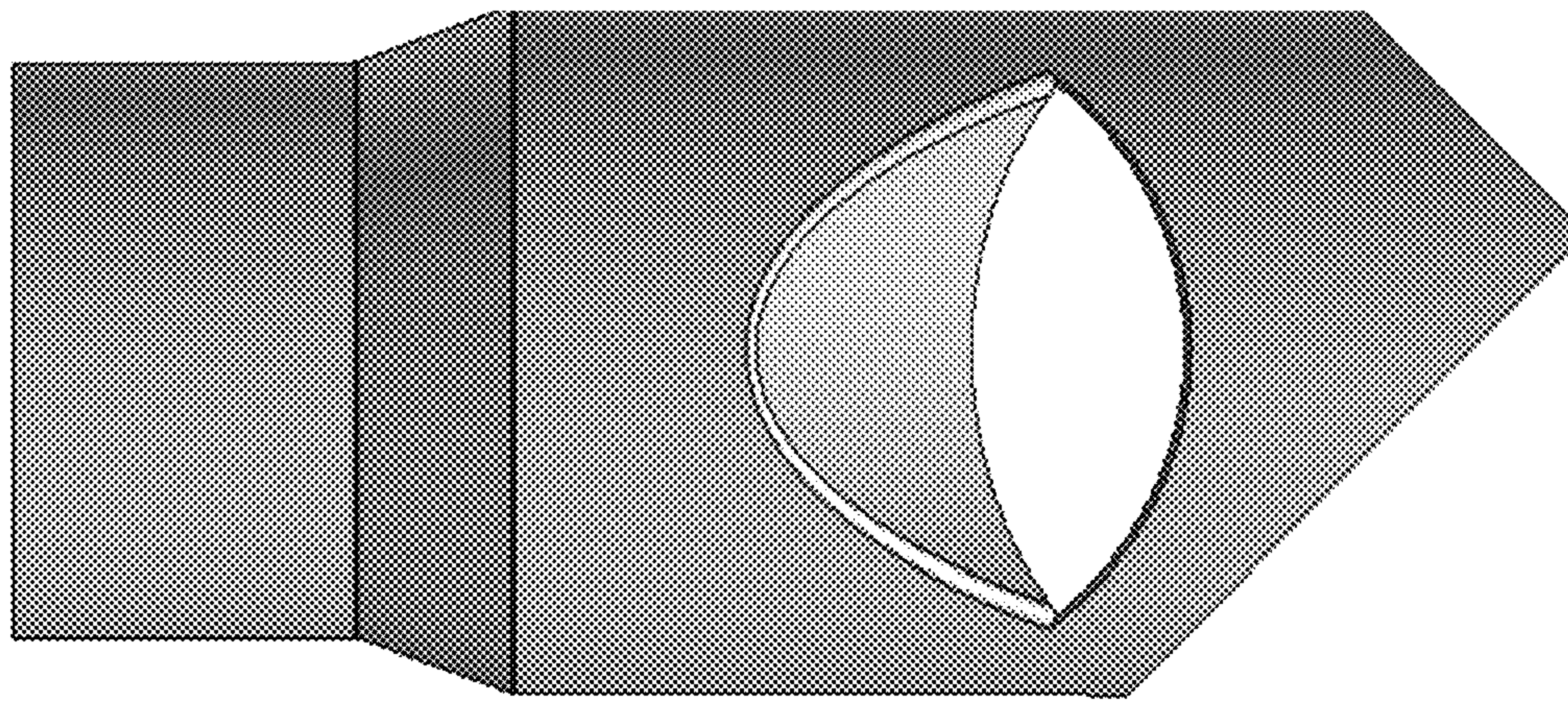


Fig. 8

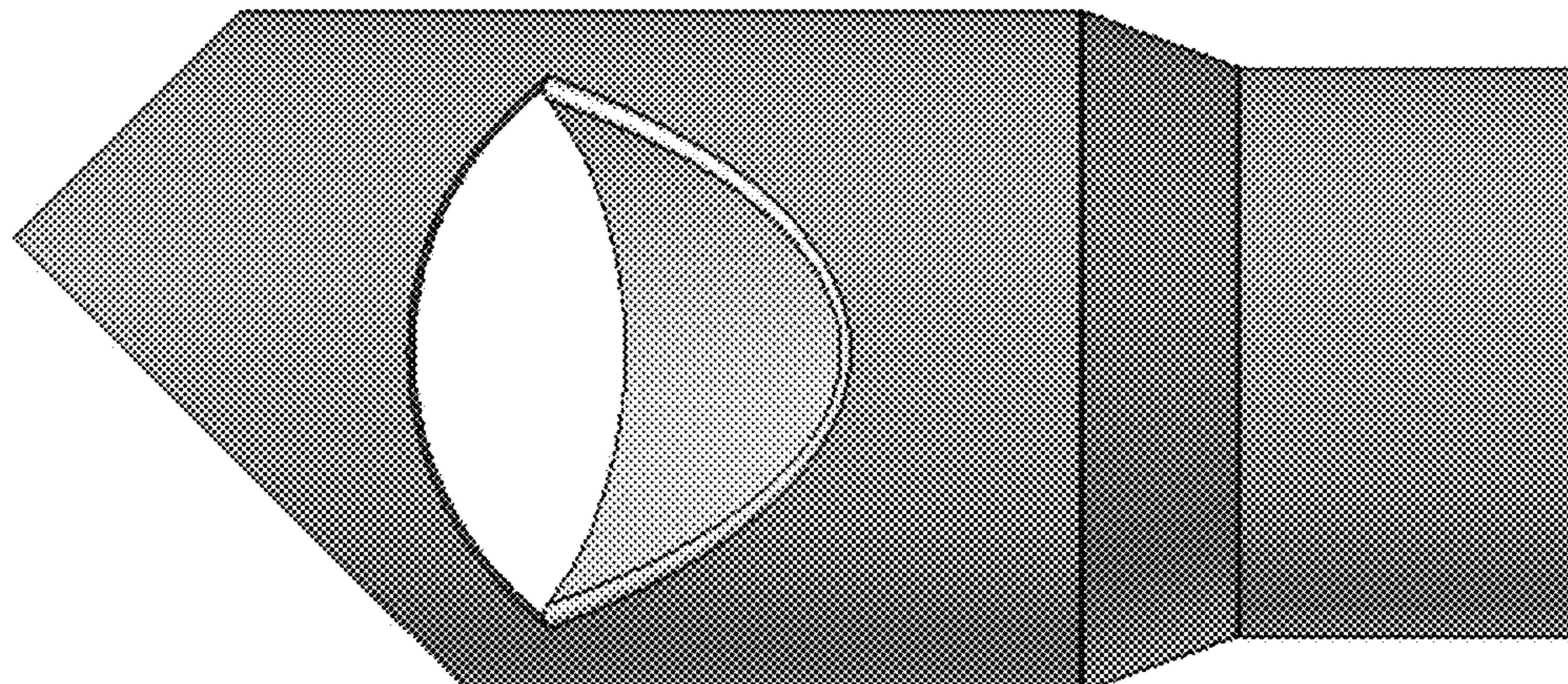




**Fig. 9**

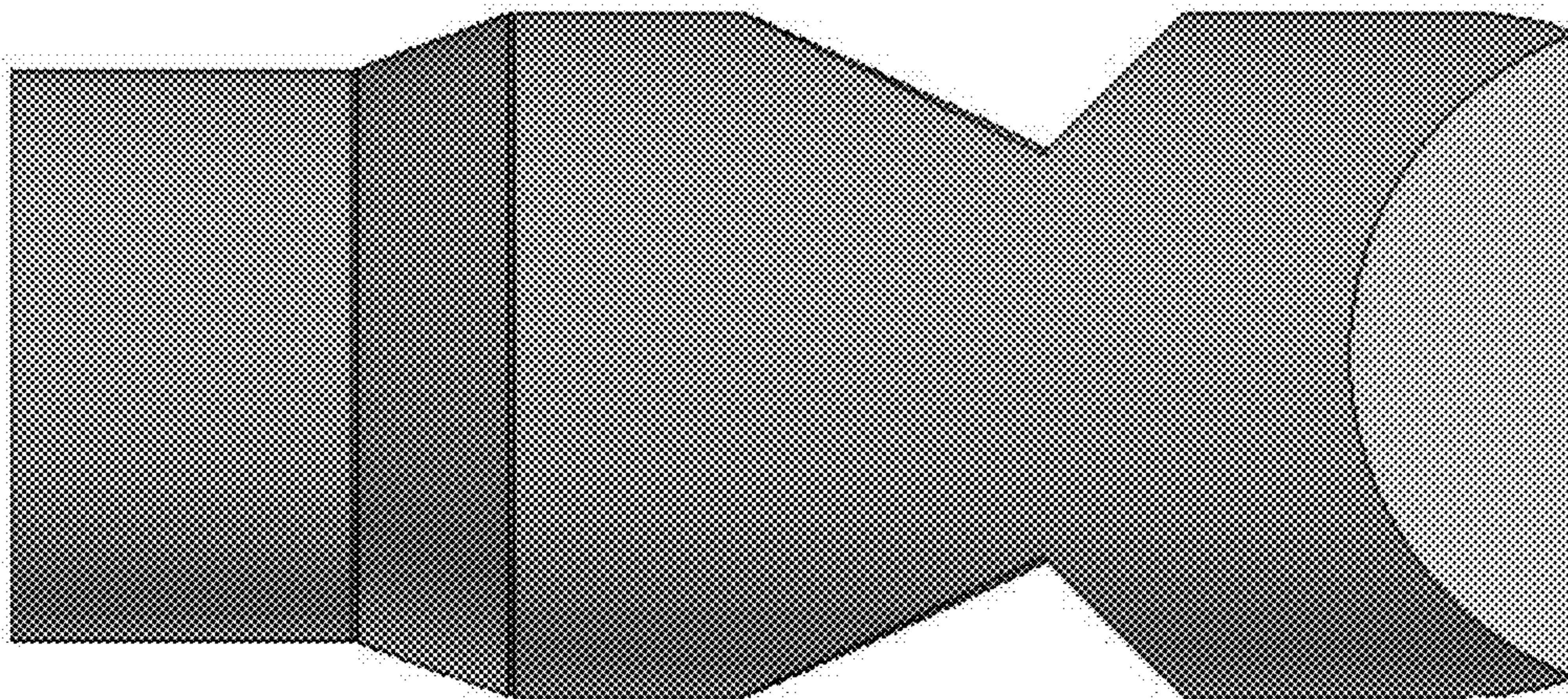


**Fig. 10**

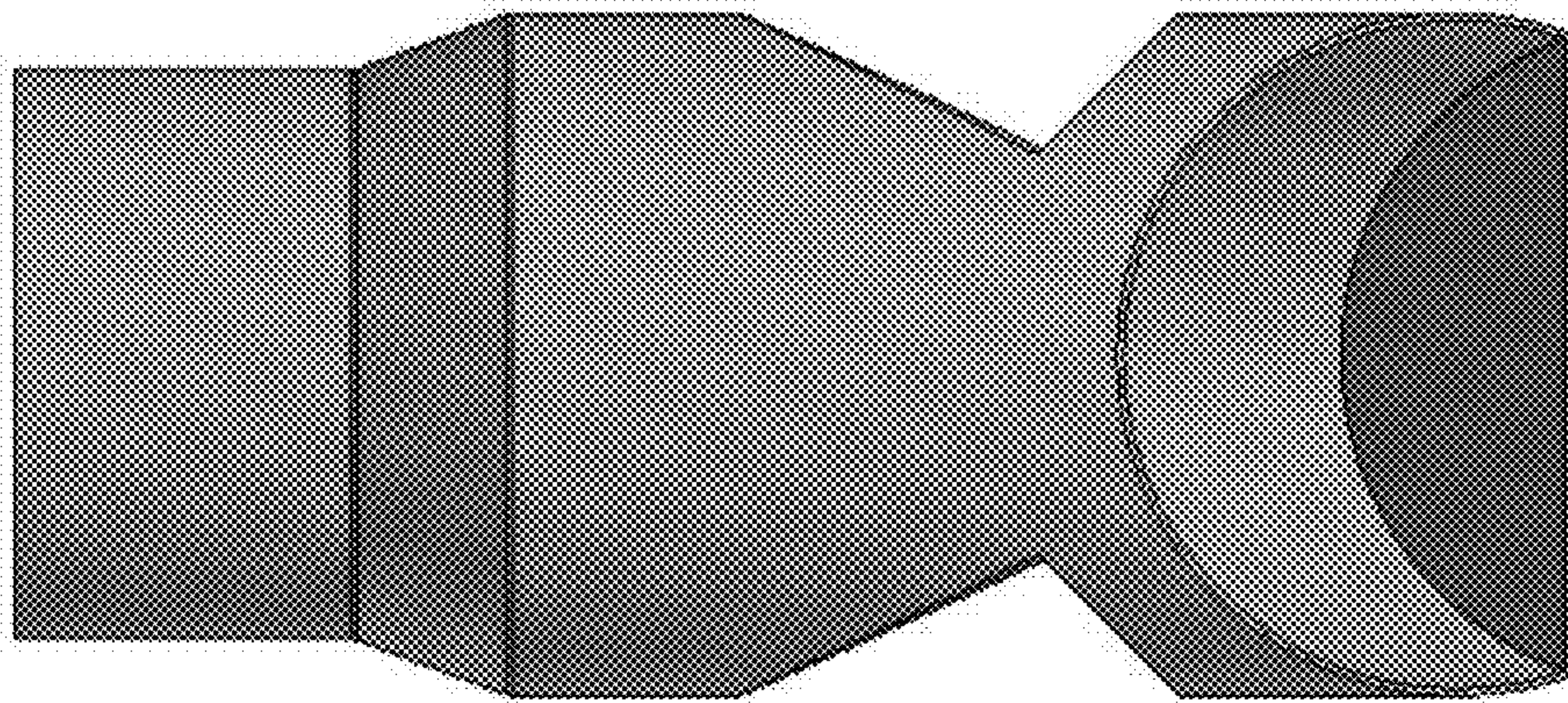




**Fig. 11**

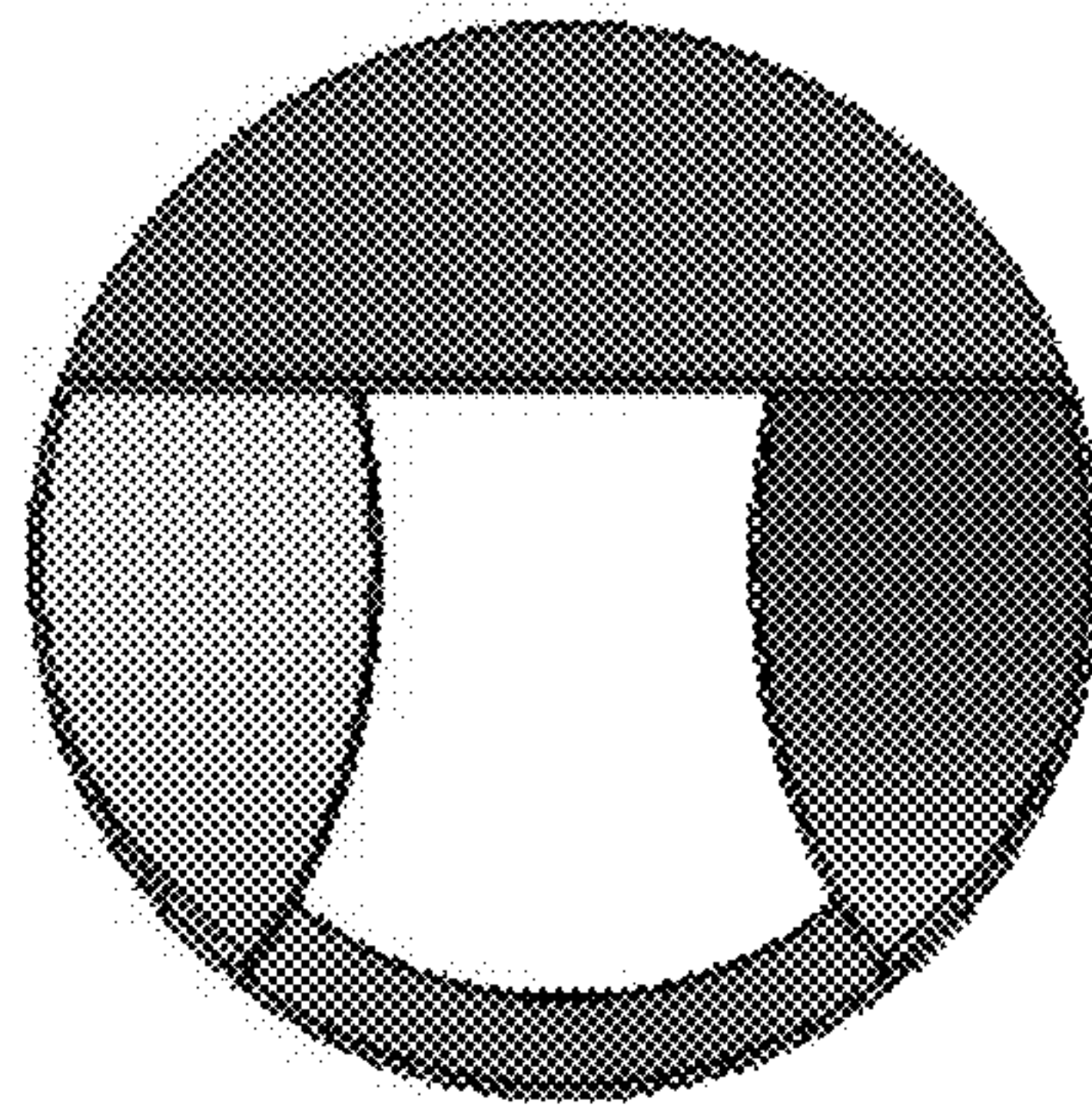


**Fig. 12**





**Fig. 13**



**Fig. 14**

