



US00D836510S

(12) **United States Design Patent** (10) **Patent No.:** **US D836,510 S**  
**Nakai** (45) **Date of Patent:** **\*\* Dec. 25, 2018**

(54) **INSTRUMENT PANEL FOR AN AUTOMOBILE**  
(71) Applicant: **HONDA MOTOR CO., LTD.**, Tokyo (JP)  
(72) Inventor: **Yuta Nakai**, Wako (JP)  
(73) Assignee: **HONDA MOTOR CO., LTD.**, Tokyo (JP)  
(\*\*) Term: **15 Years**  
(21) Appl. No.: **29/631,206**  
(22) Filed: **Dec. 28, 2017**  
(30) **Foreign Application Priority Data**  
Jun. 30, 2017 (JP) ..... 2017-014198  
(51) **LOC (11) Cl.** ..... **12-16**  
(52) **U.S. Cl.**  
USPC ..... **D12/192**  
(58) **Field of Classification Search**  
USPC ..... D12/192, 415, 114, 345; D15/17, 28;  
D10/46, 98, 102-103, 122-127; D23/324  
CPC ..... B60H 1/34  
See application file for complete search history.

(56) **References Cited**  
U.S. PATENT DOCUMENTS  
D809,443 S \* 2/2018 Walker ..... D12/192  
D810,642 S \* 2/2018 Nakaya ..... D12/192

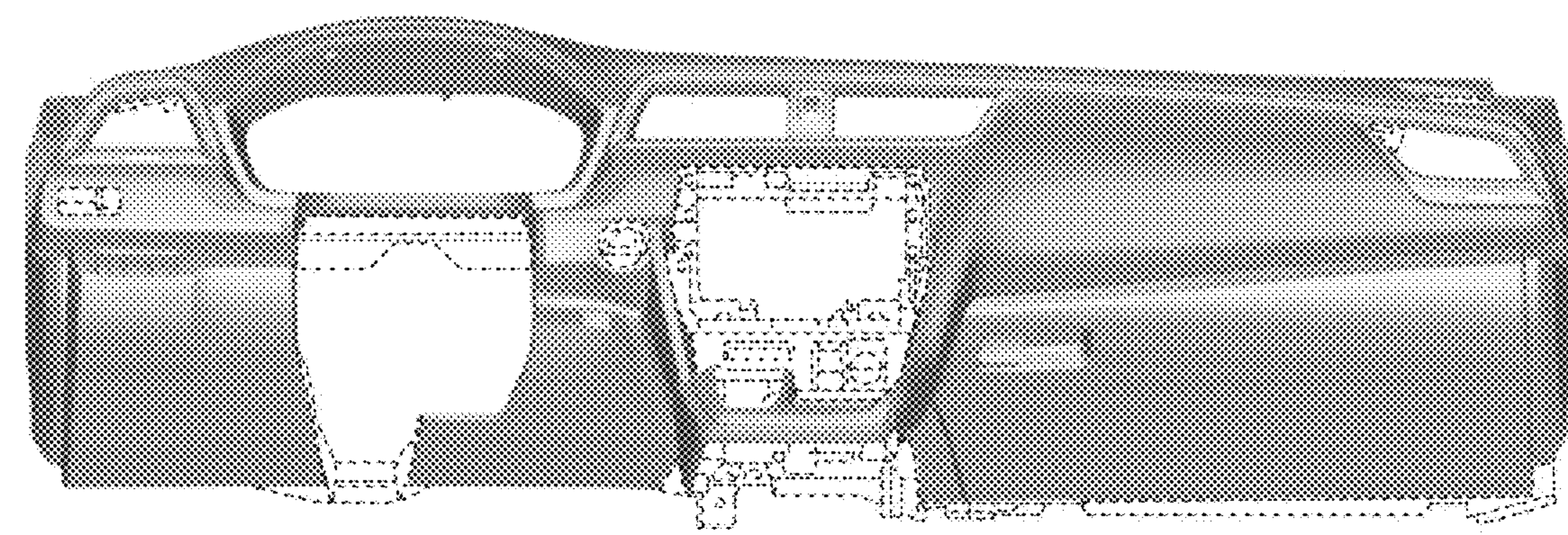
D810,643 S \* 2/2018 Takamura ..... D12/192  
D812,536 S \* 3/2018 Matsuda ..... D12/192  
D813,127 S \* 3/2018 Yamamoto ..... D12/192  
D813,769 S \* 3/2018 Yaguchi ..... D12/192  
D817,832 S \* 5/2018 Maezono ..... D12/192  
D819,533 S \* 6/2018 Choi ..... D12/192  
D824,306 S \* 7/2018 Joyce ..... D12/192

\* cited by examiner  
*Primary Examiner* — Katrina A Betton  
(74) *Attorney, Agent, or Firm* — Westerman, Hattori, Daniels & Adrian, LLP

(57) **CLAIM**  
The ornamental design for, an instrument panel for an automobile, as shown and described.

**DESCRIPTION**  
FIG. 1 is a front and right side perspective view of an instrument panel for an automobile, showing our new design;  
FIG. 2 is a front and left side perspective view thereof;  
FIG. 3 is a front elevation view thereof;  
FIG. 4 is a top plan view thereof;  
FIG. 5 is a bottom plan view thereof;  
FIG. 6 is a right side elevation view thereof; and,  
FIG. 7 is a left side elevation view thereof.  
The broken lines shown in the drawings illustrate portions of the instrument panel for an automobile that are environmental structures and form no part of the claimed design.

**1 Claim, 7 Drawing Sheets**





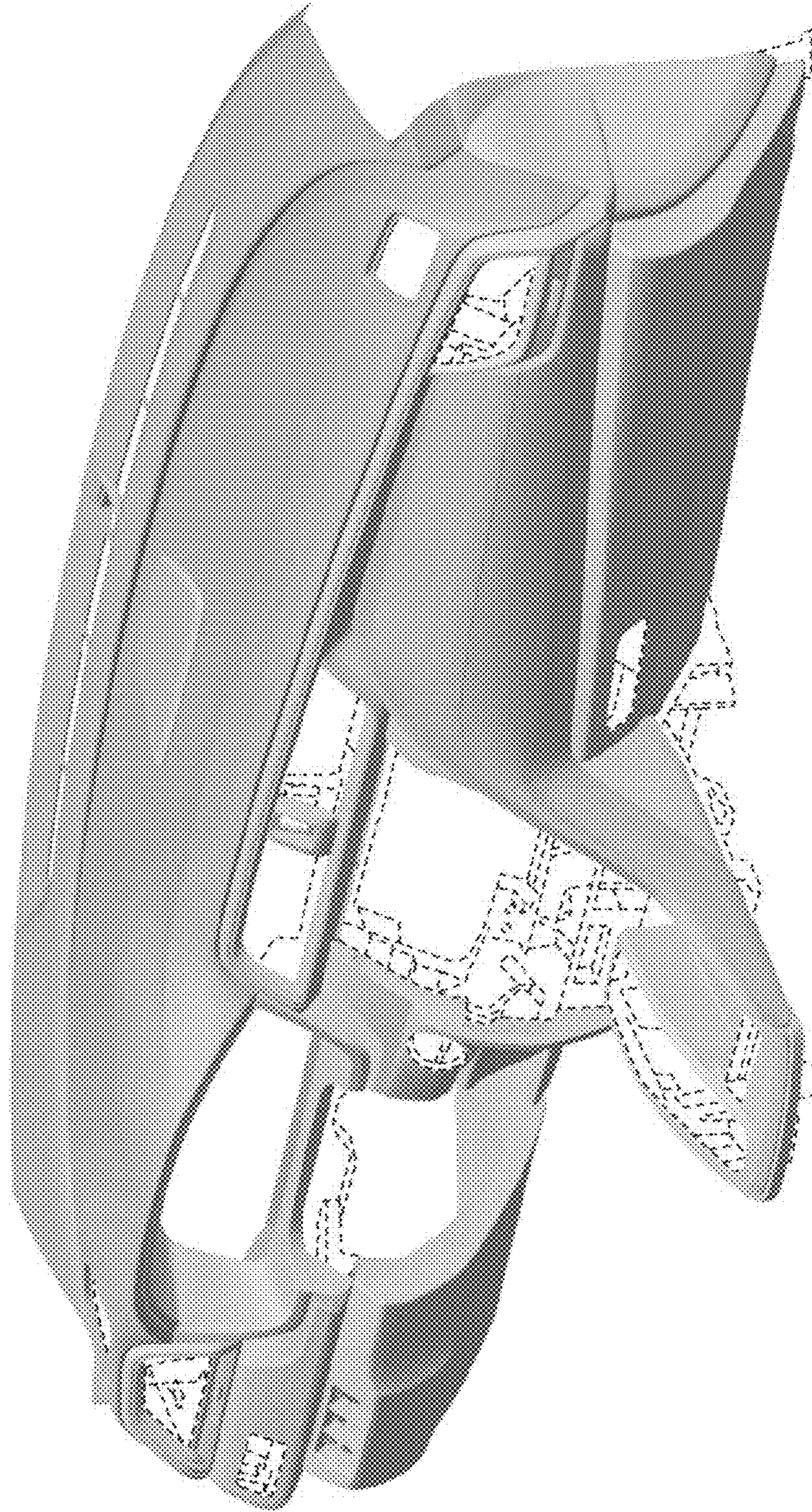


Fig.1



Fig.2

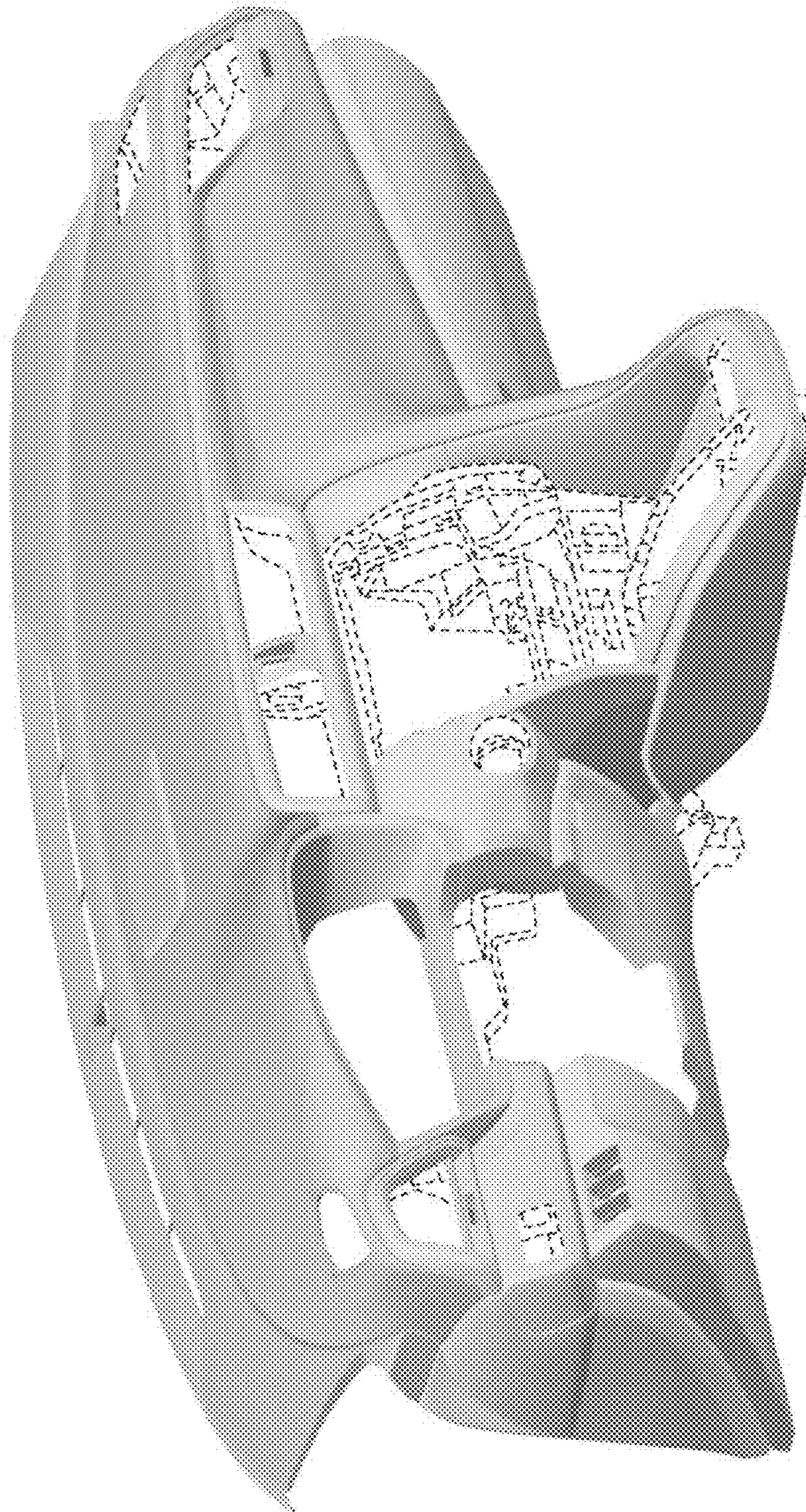




Fig. 3

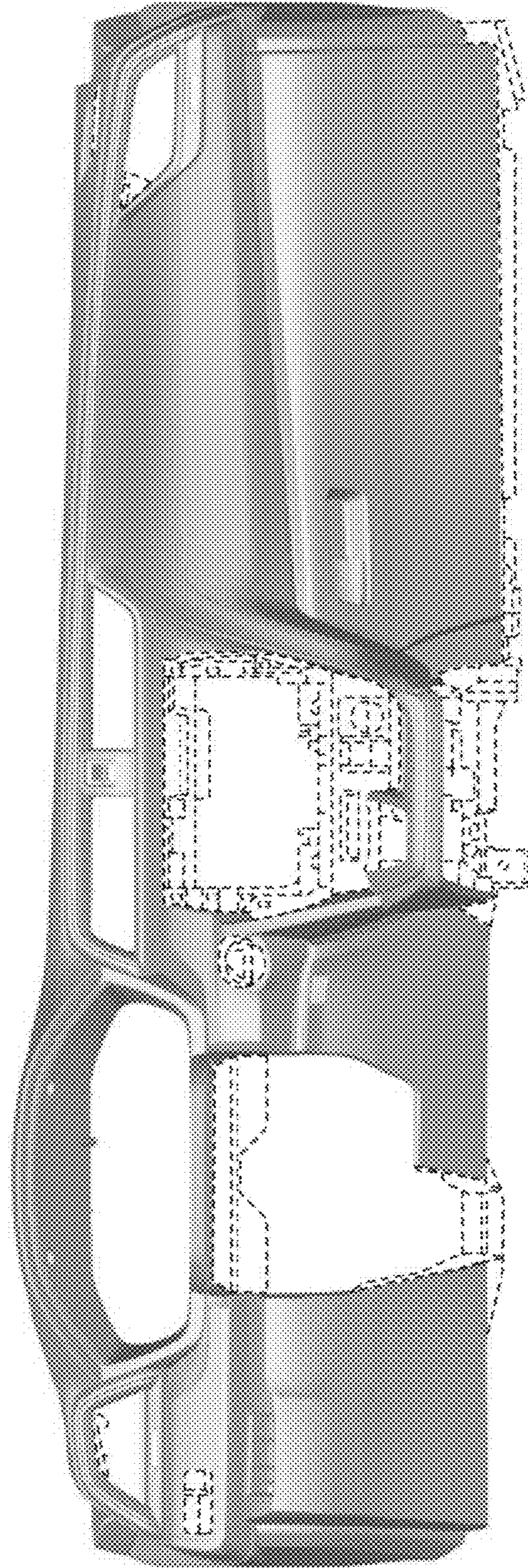
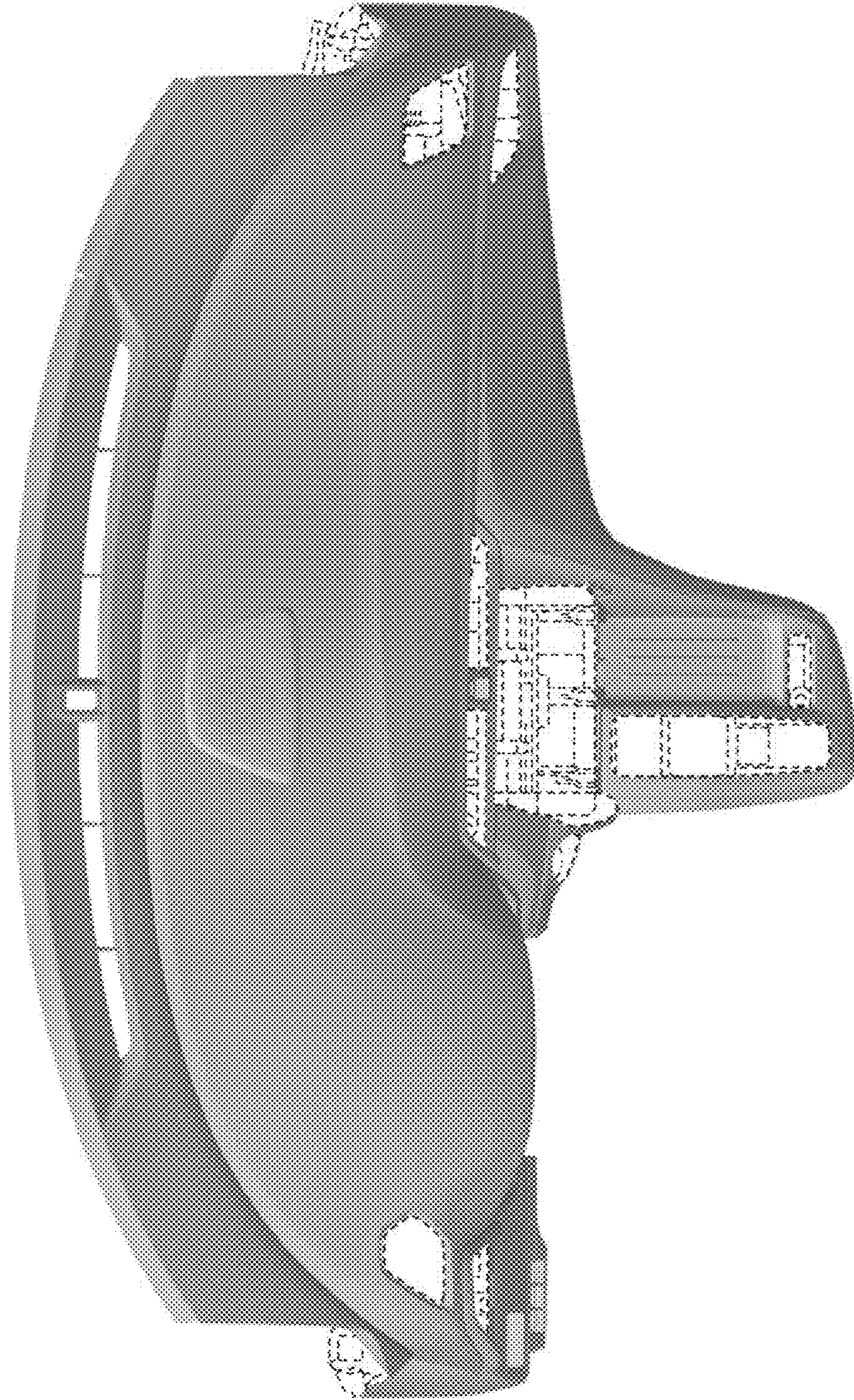




Fig.4





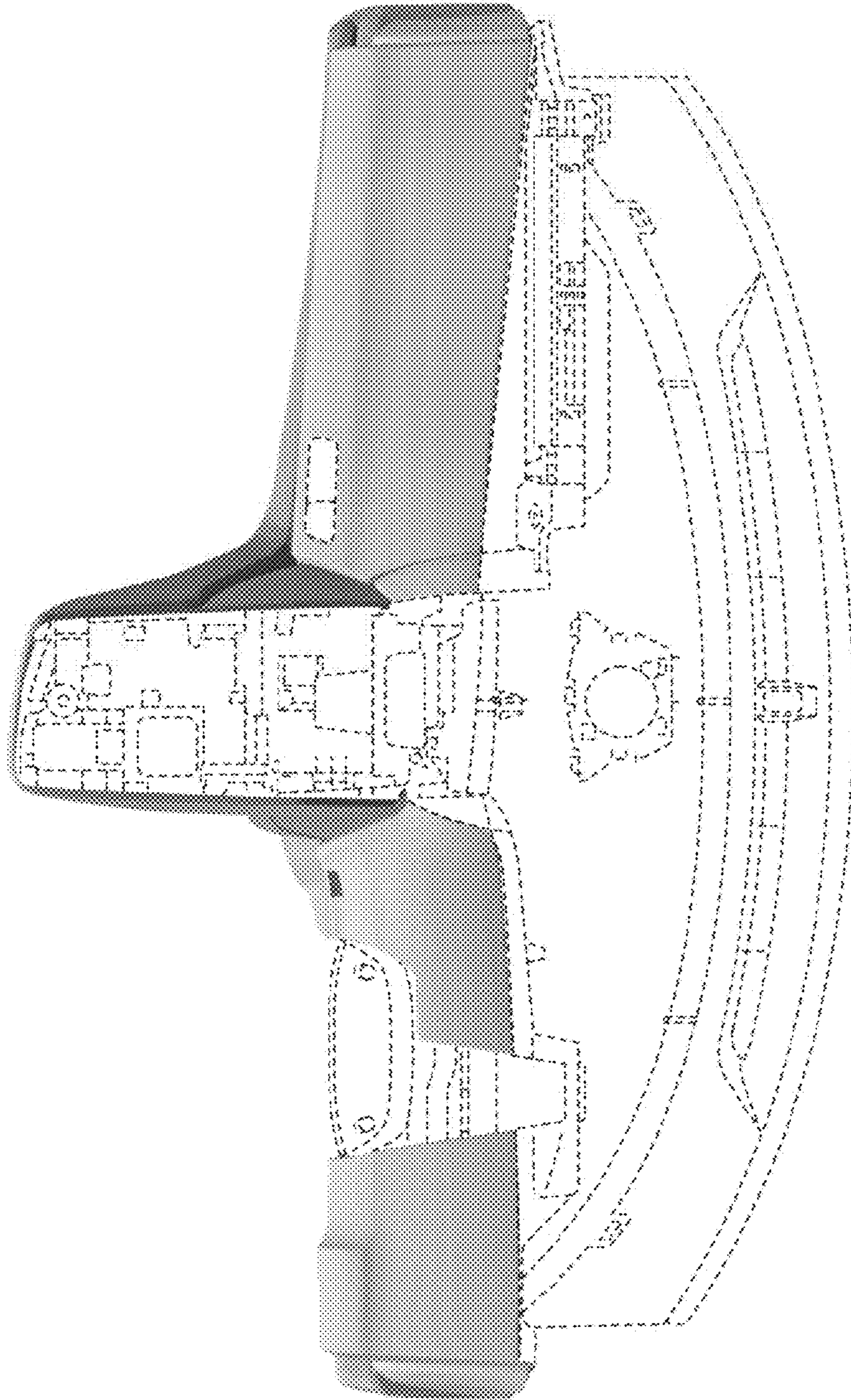


Fig. 5

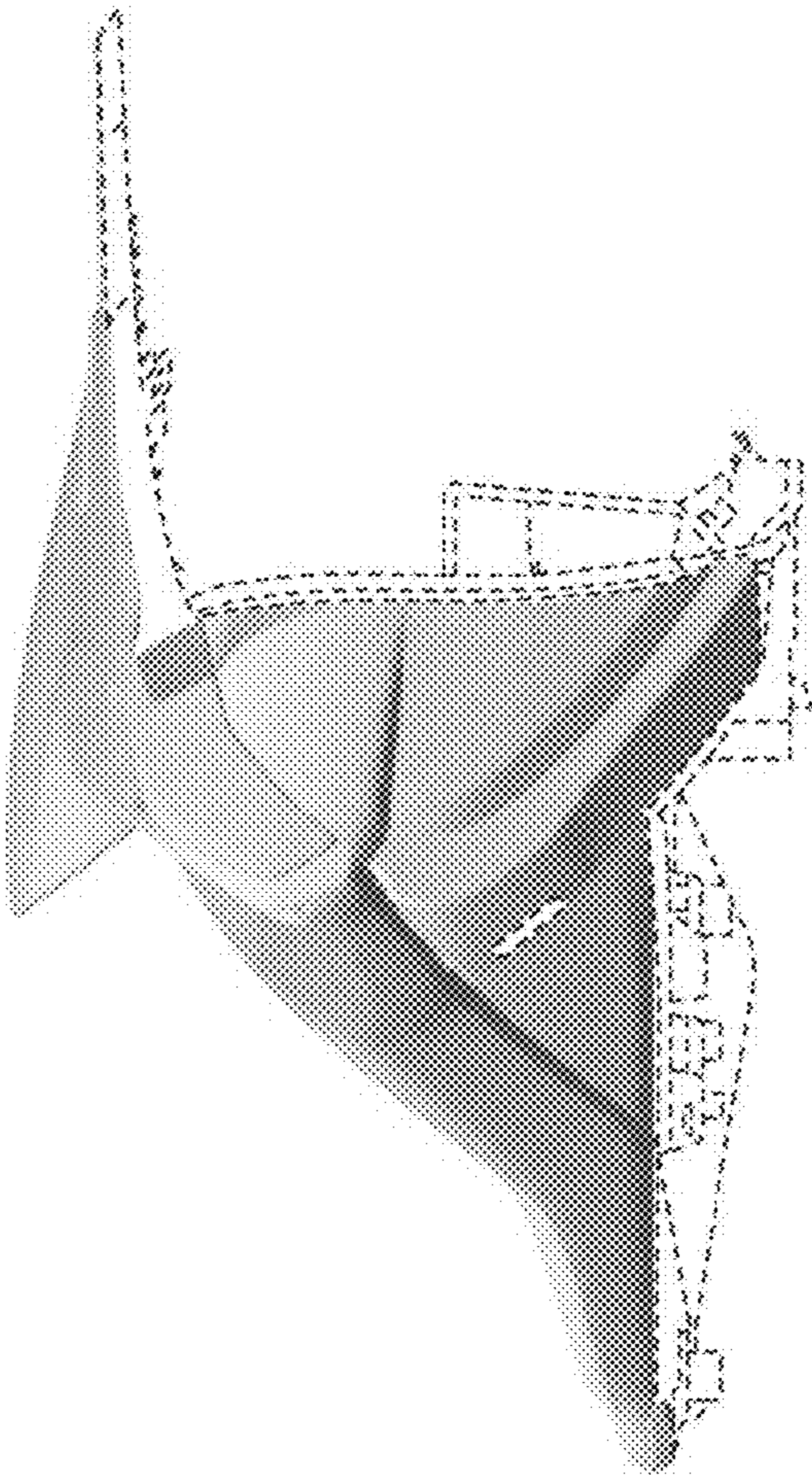


Fig. 6

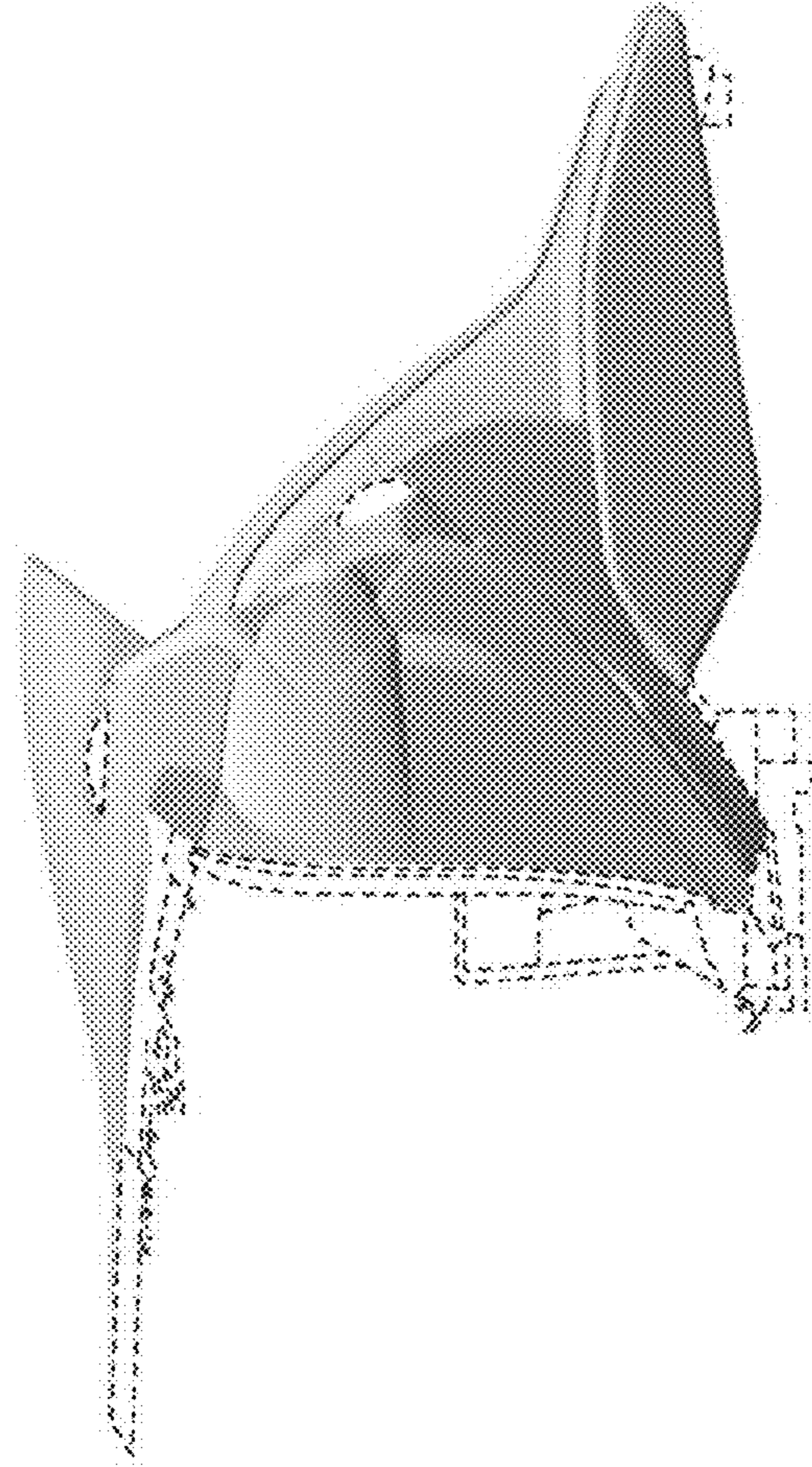


Fig.7