



US00D836509S

(12) **United States Design Patent** (10) **Patent No.:** **US D836,509 S**
Grand (45) **Date of Patent:** **** Dec. 25, 2018**

(54) **FENDER VENT**
(71) Applicant: **Jaguar Land Rover Limited**, Whitley, Coventry (GB)
(72) Inventor: **Simon Grand**, Coventry (GB)
(73) Assignee: **Jaguar Land Rover Limited**, Whitley Coventry (GB)
(**) Term: **15 Years**
(21) Appl. No.: **29/622,410**
(22) Filed: **Oct. 17, 2017**

(30) **Foreign Application Priority Data**

Apr. 21, 2017 (EM) 003866961
(51) **LOC (11) Cl.** **12-16**
(52) **U.S. Cl.**
USPC **D12/190**
(58) **Field of Classification Search**
USPC D12/190, 192, 400, 90, 91, 92, 196, 197,
D12/198, 199, 200, 171, 172, 163, 110,
D12/114
CPC B60R 13/043; B60R 2013/0293; B60R
13/02; B60R 13/04
See application file for complete search history.

(56) **References Cited**

U.S. PATENT DOCUMENTS

D748,547 S * 2/2016 Battams D12/190
D763,152 S * 8/2016 Frascella D12/190
D788,659 S * 6/2017 Jelec D12/163
D801,897 S * 11/2017 Buck D12/190
D807,264 S * 1/2018 Henstridge D12/190

D808,316 S * 1/2018 Piscitelli D12/190
D808,317 S * 1/2018 Piscitelli D12/190
D821,279 S * 6/2018 Szavits D12/190

* cited by examiner

Primary Examiner — Katrina A Betton
(74) *Attorney, Agent, or Firm* — Wood Herron & Evans LLP

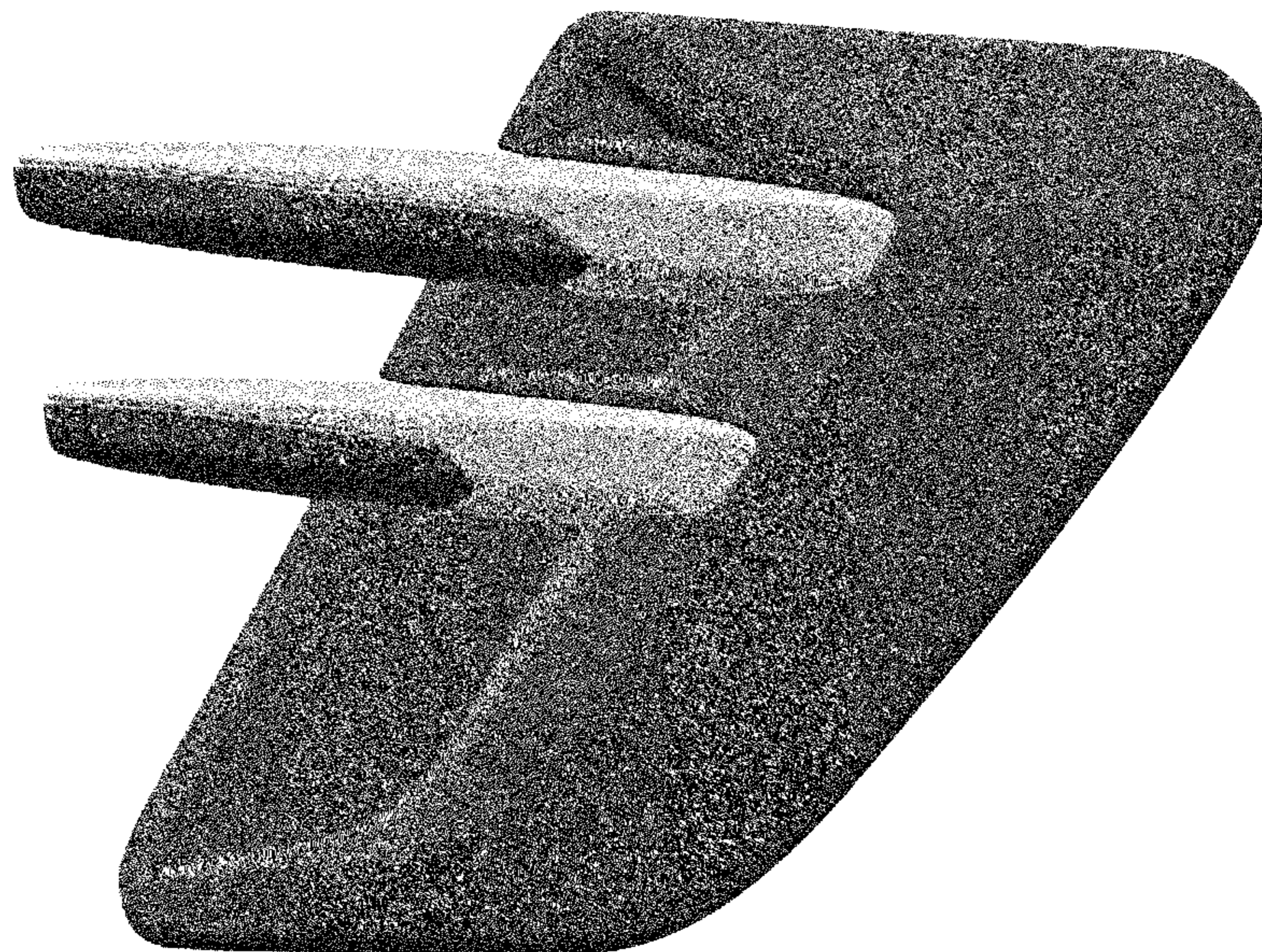
(57) **CLAIM**

The ornamental design for a fender vent, as shown and described.

DESCRIPTION

FIG. 1 is a front right perspective view of a fender vent according to the present invention.
FIG. 2 is a front left perspective view of the fender vent shown in FIG. 1.
FIG. 3 is a rear left perspective view therefore.
FIG. 4 is a rear right perspective view therefore.
FIG. 5 is a front view therefore.
FIG. 6 is a rear view therefore.
FIG. 7 is a left side view therefore.
FIG. 8 is a right side view therefore.
FIG. 9 is a top view therefore.
FIG. 10 is a bottom view therefore; and,
FIG. 11 is a front view of the fender vent shown in FIGS. 1-10, but mounted on a vehicle, with the rest of the vehicle shown in de-emphasized and half-tone portions so as to illustrate environmental structure.
More particularly, in FIG. 11, the inventive fender vent is shown within the broken line, and the elements shown outside the broken line form no part of the claimed invention, but are instead included to show environmental aspects thereof.

1 Claim, 9 Drawing Sheets



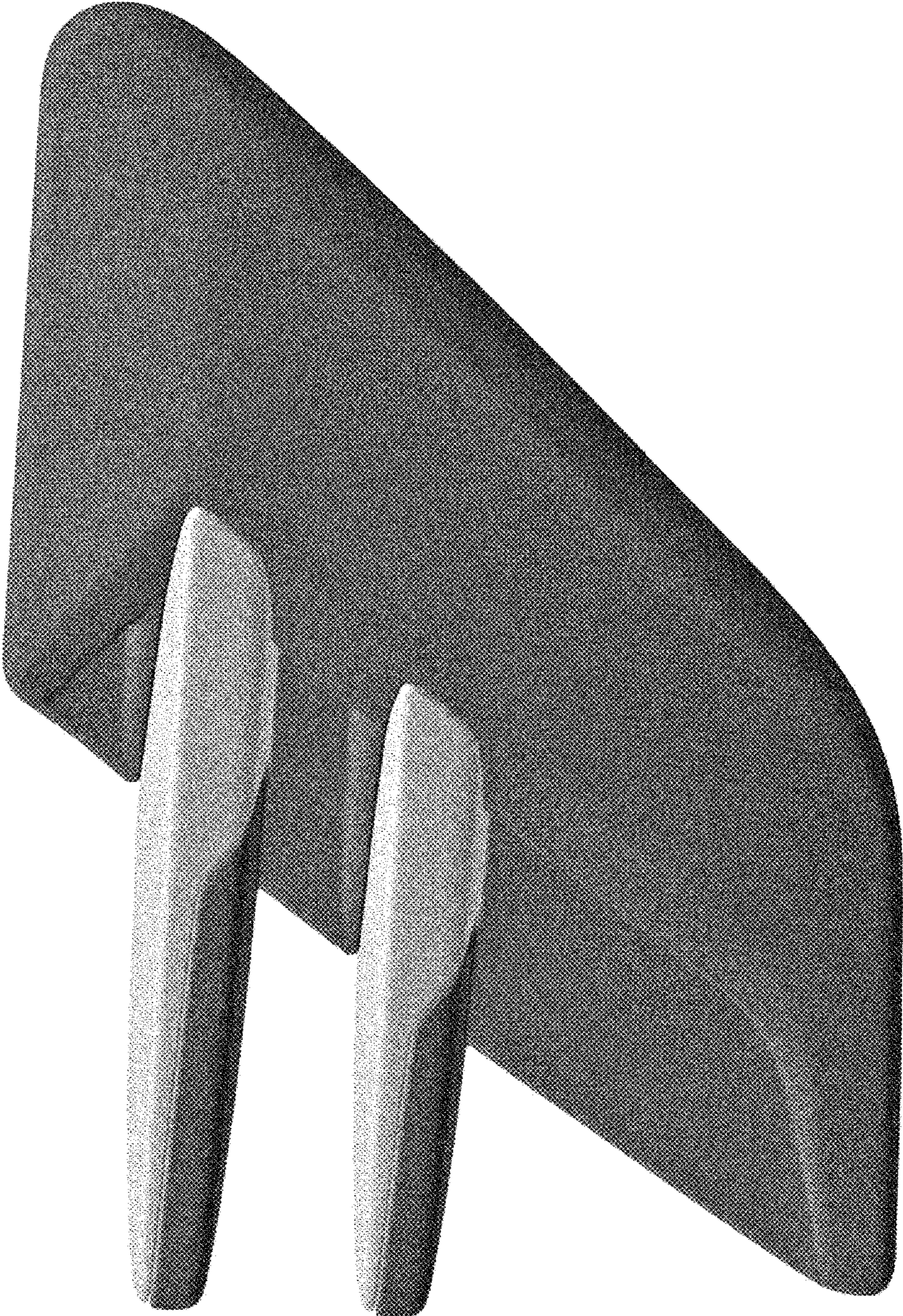


FIG. 1

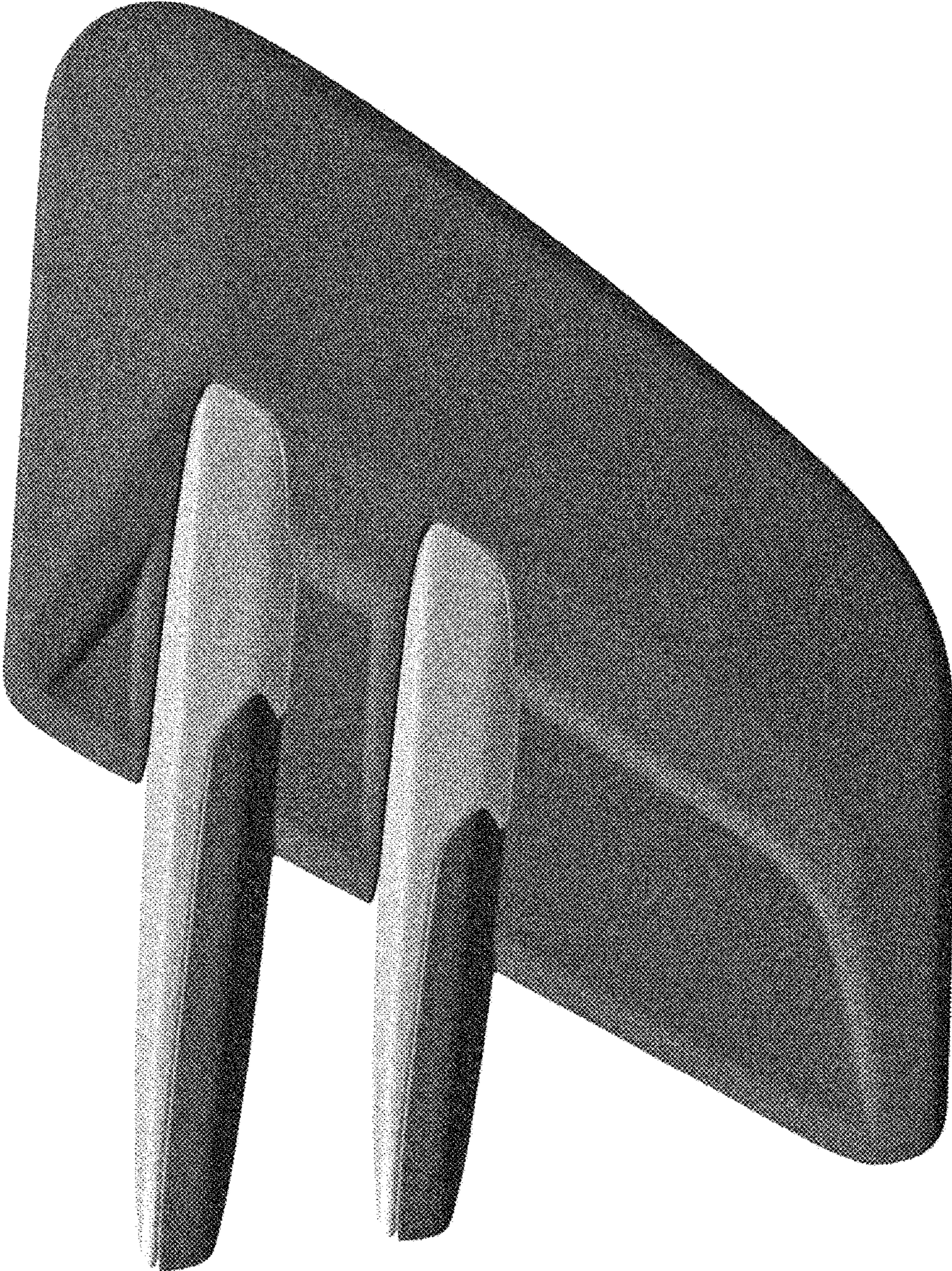


FIG. 2

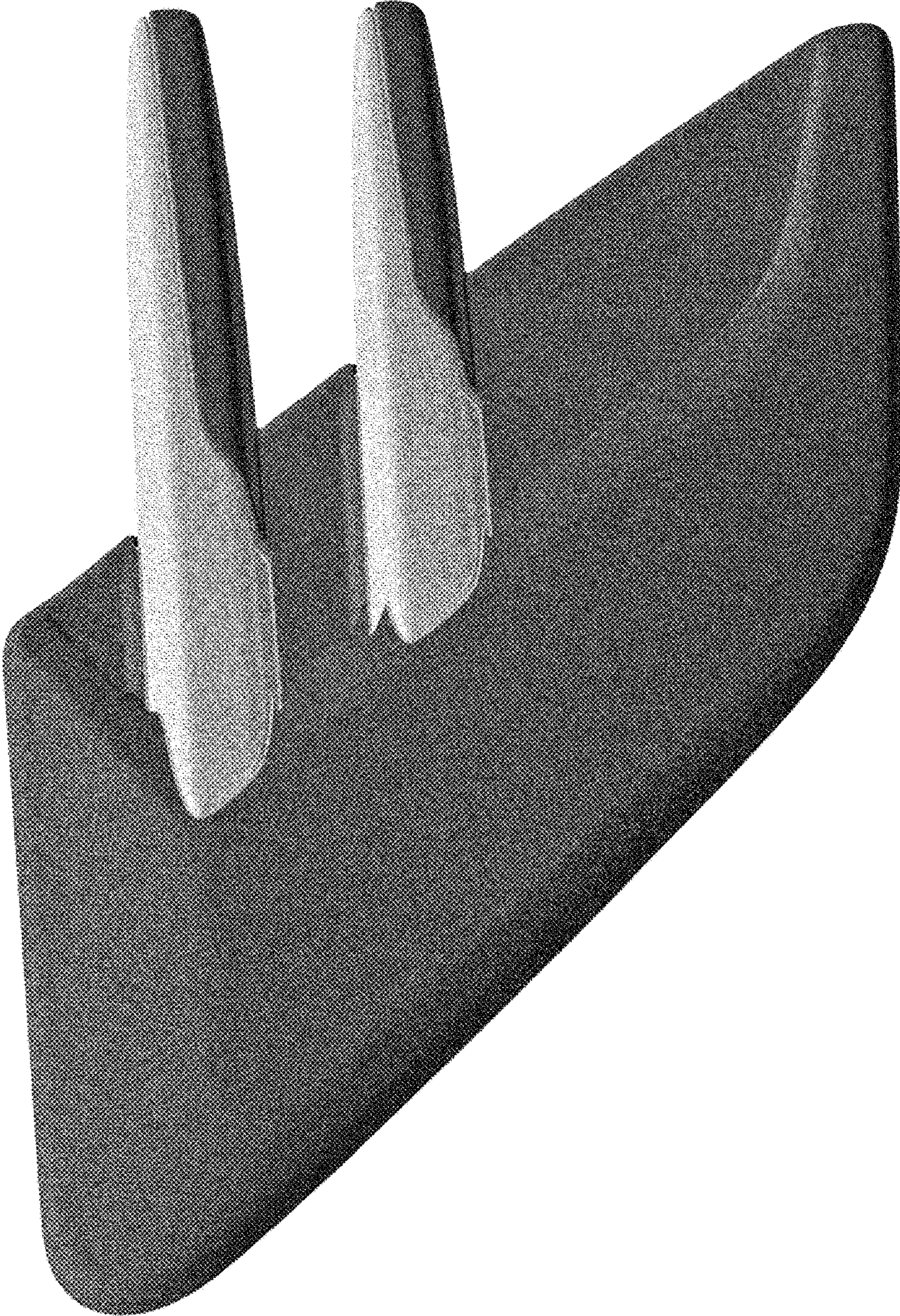


FIG. 3

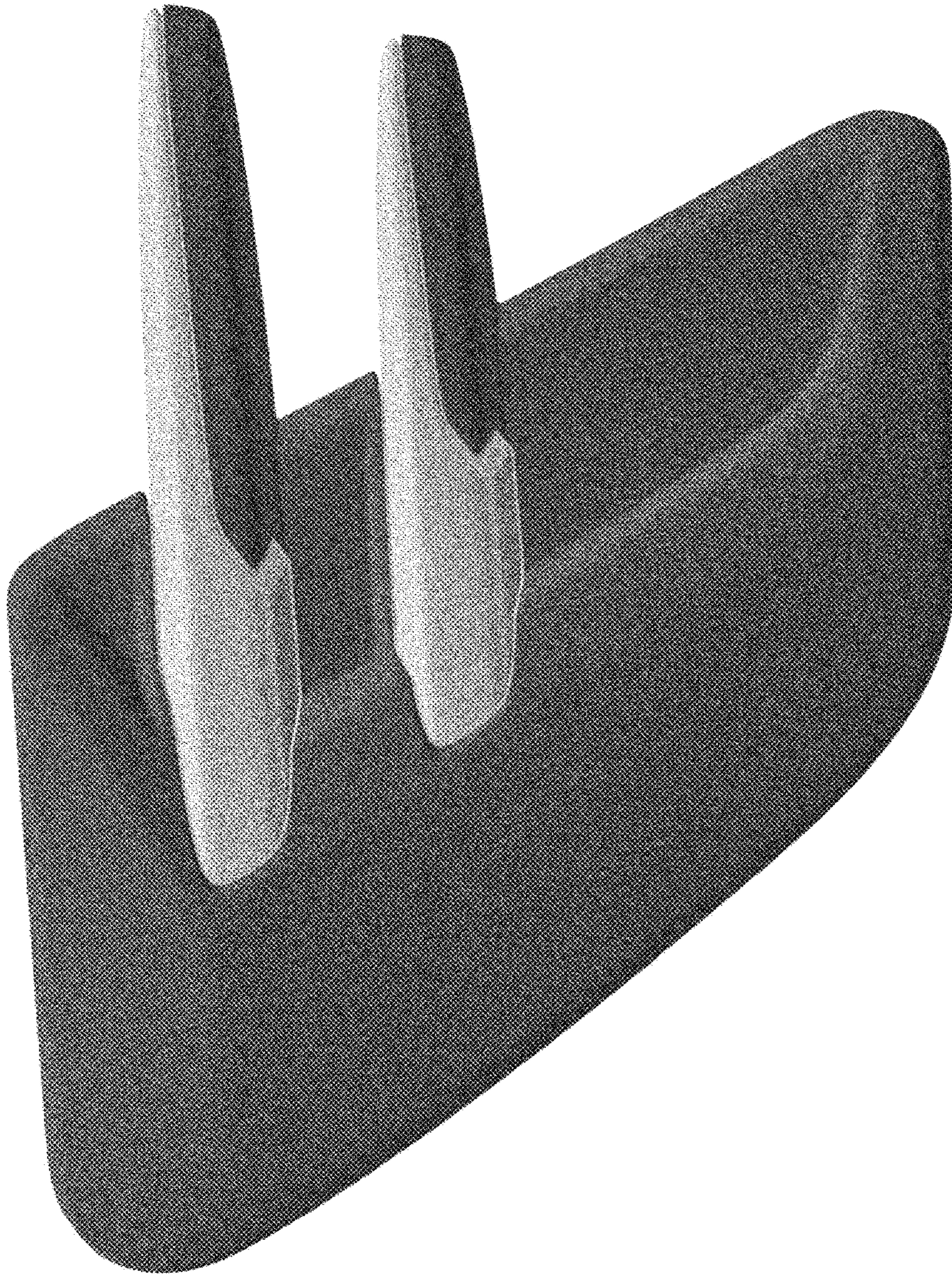


FIG. 4

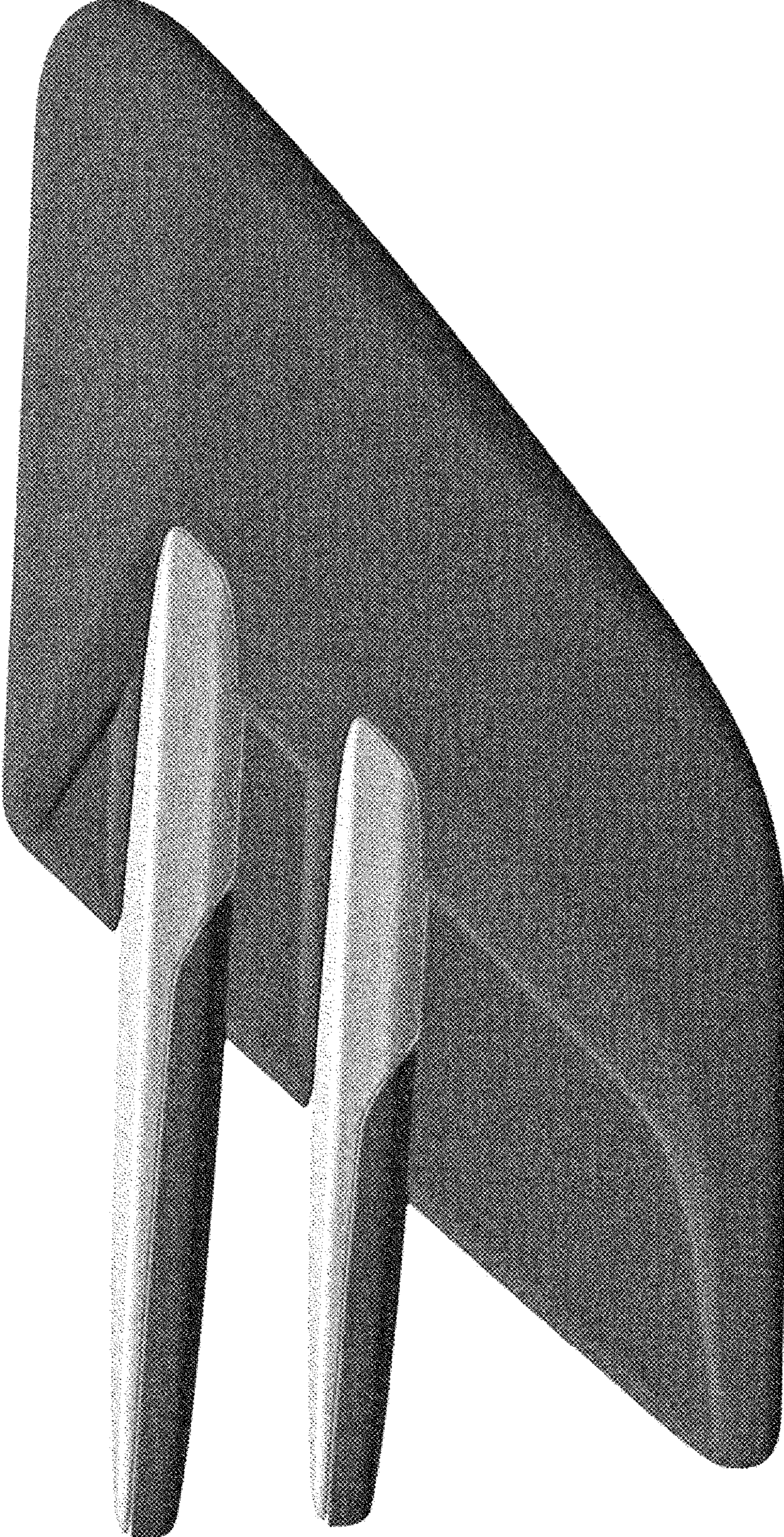


FIG. 5

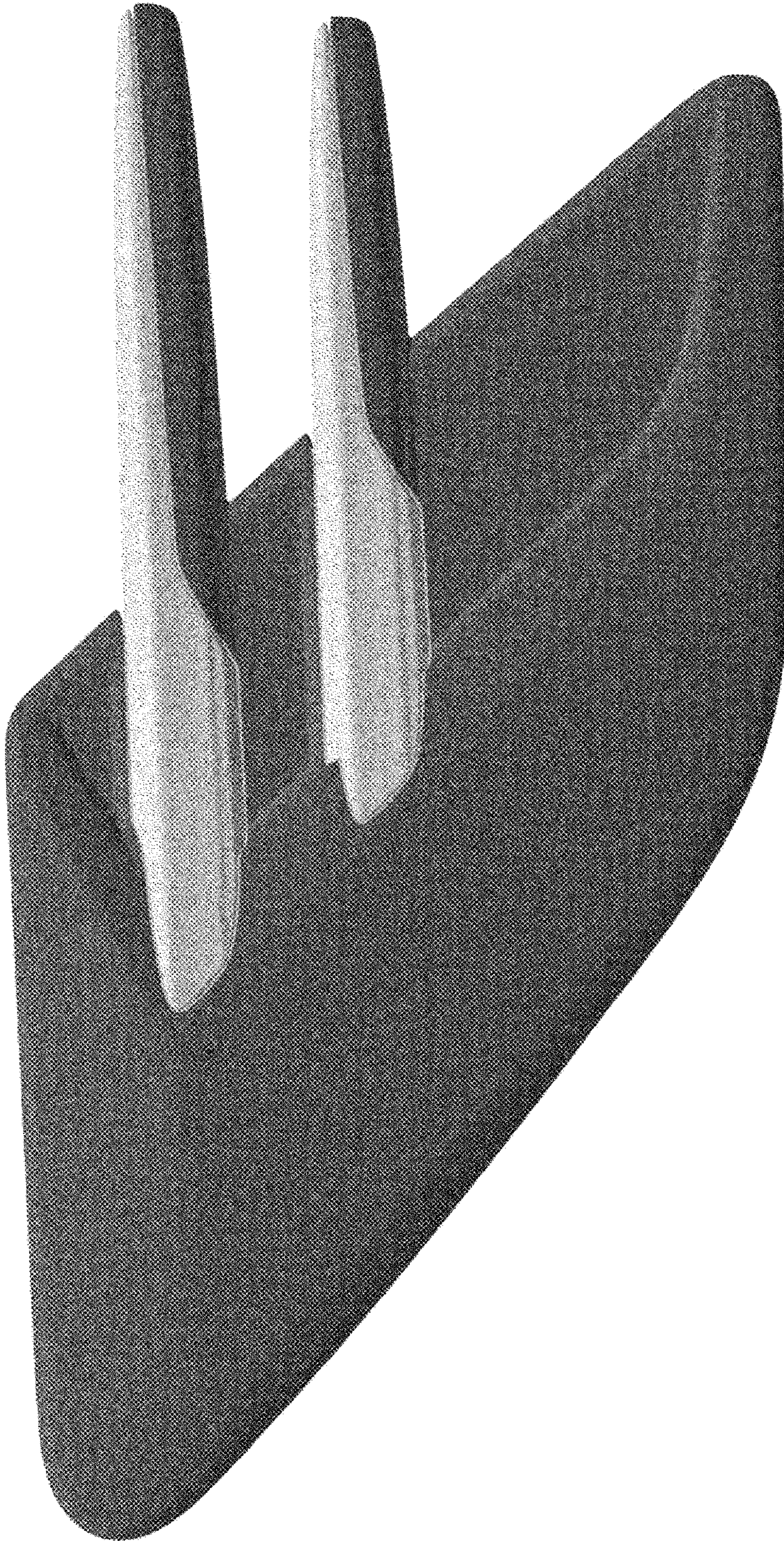


FIG. 6

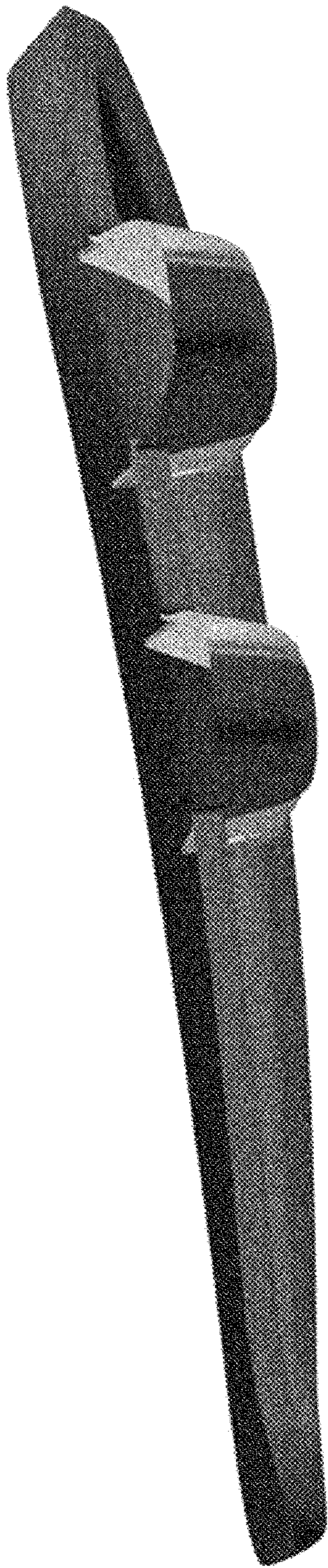


FIG. 7

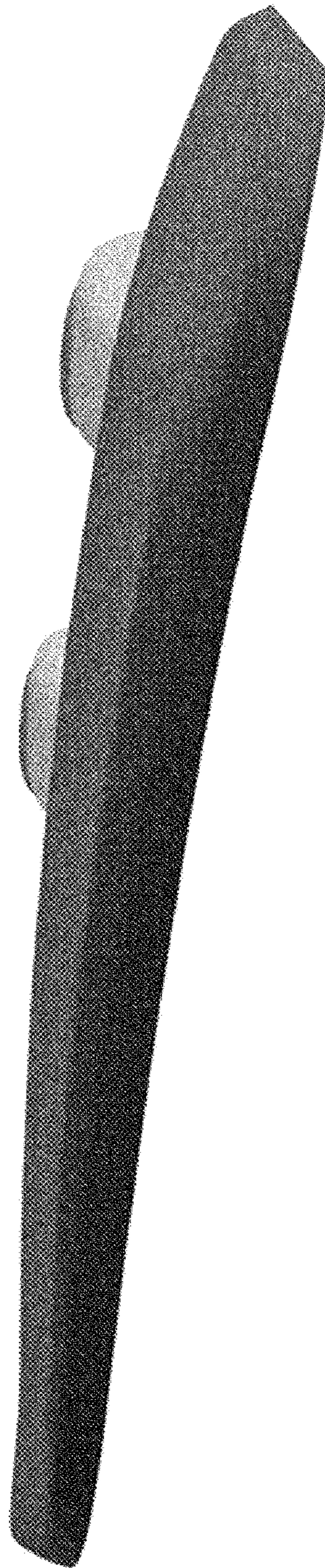


FIG. 8

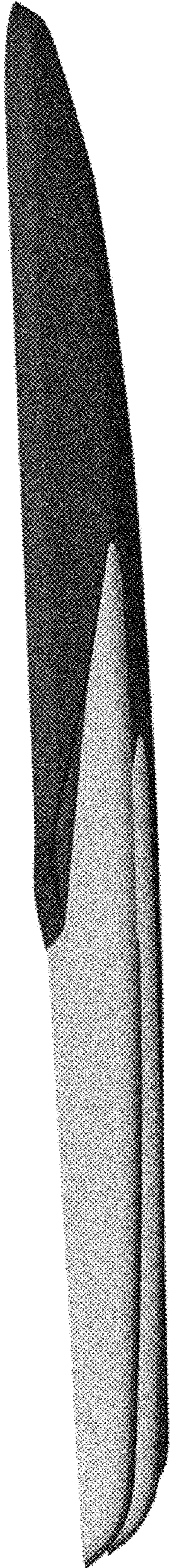


FIG. 9

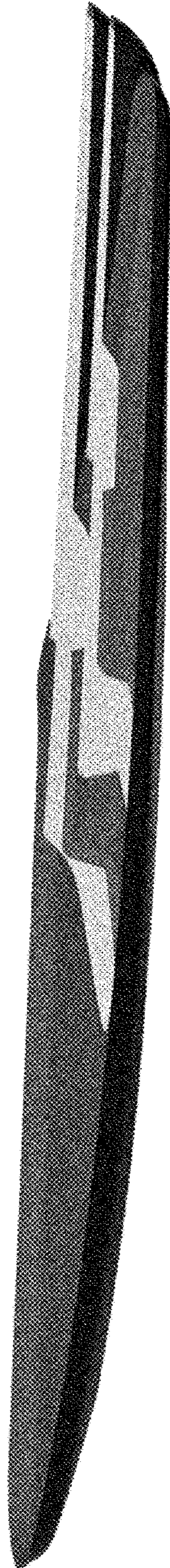


FIG. 10

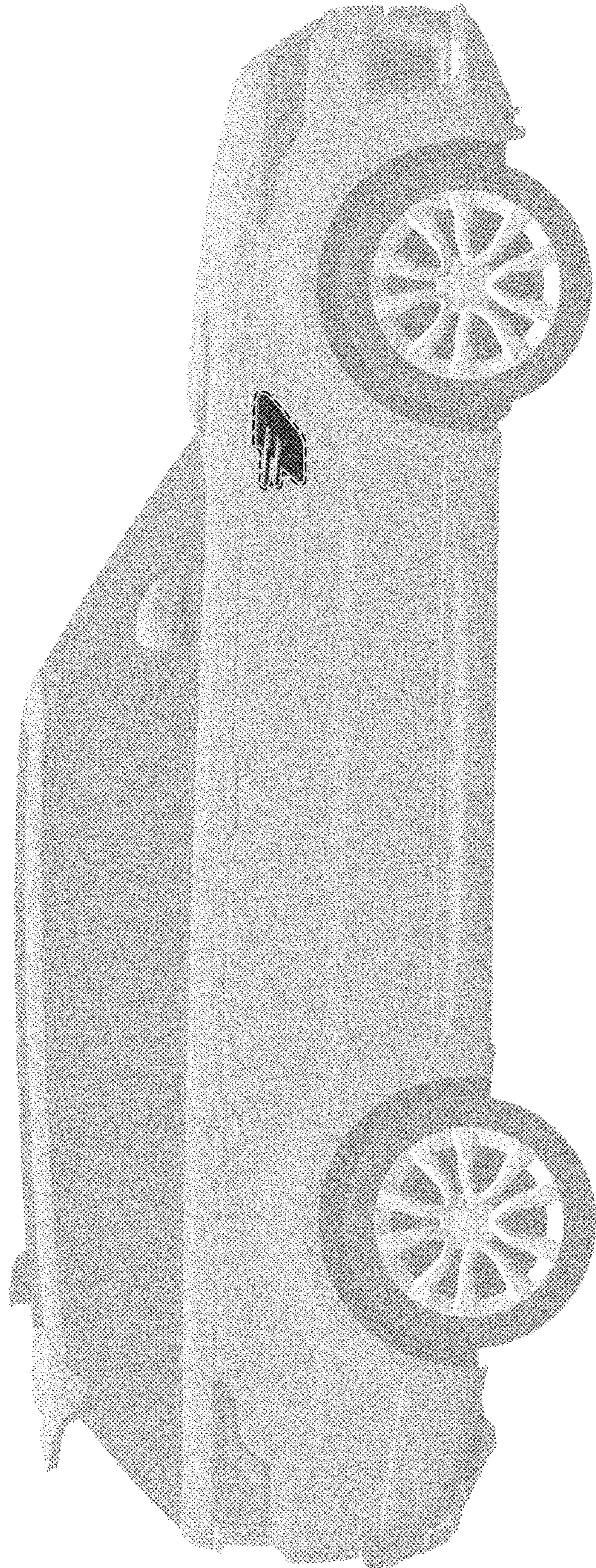


FIG. 11

UNITED STATES PATENT AND TRADEMARK OFFICE
CERTIFICATE OF CORRECTION

PATENT NO. : D836,509 S
APPLICATION NO. : 29/622410
DATED : December 25, 2018
INVENTOR(S) : Simon Grand

Page 1 of 1

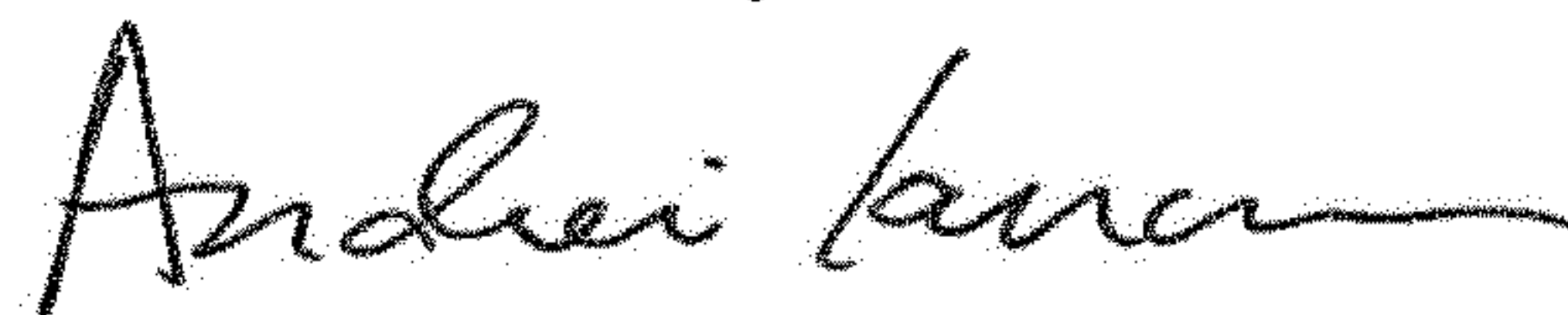
It is certified that error appears in the above-identified patent and that said Letters Patent is hereby corrected as shown below:

On the Title Page

Column 2, Item (57), Under "Description"

Line 5, "therefore" should be ---thereof---.
Line 6, "therefore" should be ---thereof---.
Line 7, "therefore" should be ---thereof---.
Line 8, "therefore" should be ---thereof---.
Line 9, "therefore" should be ---thereof---.
Line 10, "therefore" should be ---thereof---.
Line 11, "therefore" should be ---thereof---.
Line 12, "therefore" should be ---thereof---.

Signed and Sealed this
Nineteenth Day of March, 2019



Andrei Iancu
Director of the United States Patent and Trademark Office