



US00D836500S

(12) **United States Design Patent** (10) **Patent No.:** **US D836,500 S**
Julian et al. (45) **Date of Patent:** **** Dec. 25, 2018**

(54) **MOBILITY WALKER**

FOREIGN PATENT DOCUMENTS

(71) Applicants: **Vicki L. Julian**, Lawrence, KS (US);
Christopher Steven Julian, Lawrence,
KS (US)

FR 2784022 4/2000
FR 2784292 4/2000
WO 2016/137322 9/2016

(72) Inventors: **Vicki L. Julian**, Lawrence, KS (US);
Christopher Steven Julian, Lawrence,
KS (US)

OTHER PUBLICATIONS

Non-Final Office Action dated Jan. 11, 2018 in U.S. Appl. No.
15/648,048, filed Jul. 12, 2017; Applicant: Vicki Julian et al.

(**) Term: **15 Years**

(Continued)

(21) Appl. No.: **29/610,455**

Primary Examiner — Charles D Hanson

(74) *Attorney, Agent, or Firm* — Hovey Williams LLP

(22) Filed: **Jul. 12, 2017**

(51) **LOC (11) Cl.** **12-12**

(57) **CLAIM**

The ornamental design for a mobility walker, as shown and
described.

(52) **U.S. Cl.**

USPC **D12/133**

(58) **Field of Classification Search**

USPC D12/129, 130, 133

CPC A61H 3/00; A61H 3/04; A61H
2003/001–2003/007; A61H 2003/043;
A61H 2003/046

DESCRIPTION

See application file for complete search history.

FIG. 1 is a right front perspective view of an embodiment of
a mobility walker according to our new design;

FIG. 2 is a bottom left rear perspective view of the mobility
walker of FIG. 1;

FIG. 3 is a front elevational view of the mobility walker of
FIGS. 1-2;

FIG. 4 is a left side elevational view of the mobility walker
of FIGS. 1-3;

FIG. 5 is a rear elevational view of the mobility walker of
FIGS. 1-4;

FIG. 6 is a top plan view of the mobility walker of FIGS.
1-5; and,

FIG. 7 is a bottom plan view of the mobility walker of FIGS.
1-6.

The relatively-thin broken lines encircling portions of front
and rear legs of the mobility walker are included to illustrate
contour and not surface ornamentation. The remaining bro-
ken lines shown in the various Figures illustrate portions of
the mobility walker that form no part of the claimed design.

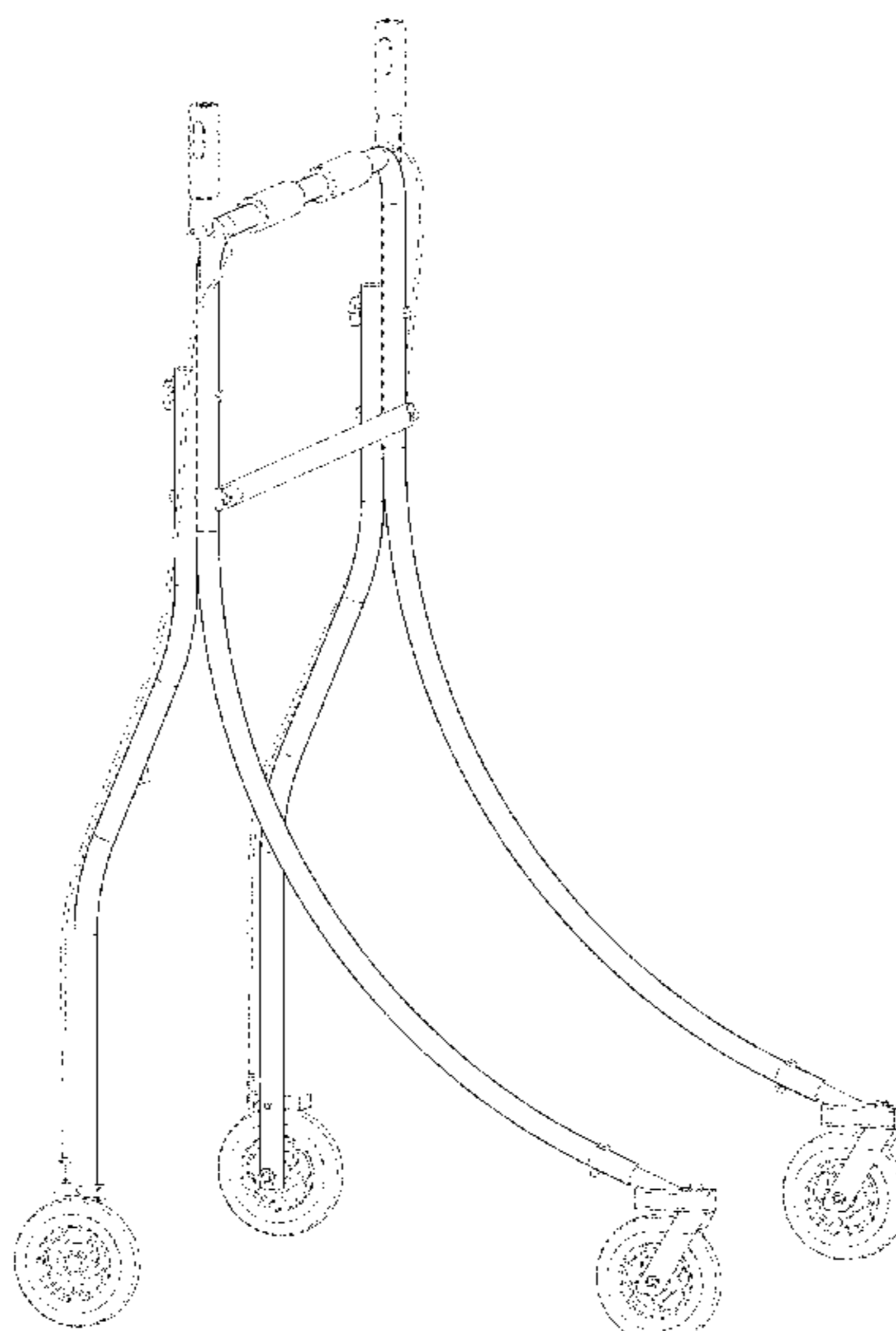
(56) **References Cited**

U.S. PATENT DOCUMENTS

2,792,874 A 5/1957 Sundberg
5,046,748 A 9/1991 Oat-Judge
D365,785 S 1/1996 Sawyer
5,603,517 A 2/1997 Lorman
5,647,602 A 7/1997 Nevin
5,810,697 A 9/1998 Joiner
6,367,823 B1 4/2002 Miyagi
D465,632 S * 11/2002 Koppes D12/129
D470,084 S * 2/2003 Schlough D12/129
D478,198 S * 8/2003 Koppes D12/129
D497,844 S * 11/2004 Chou D12/129
D501,159 S * 1/2005 Chen D12/129
D510,060 S * 9/2005 Starck D12/129
7,229,092 B1 6/2007 Parker et al.

(Continued)

1 Claim, 5 Drawing Sheets



(56)

References Cited

U.S. PATENT DOCUMENTS

D587,634 S * 3/2009 Myers D12/129
7,871,090 B2 1/2011 Staub
D688,602 S * 8/2013 Clifton D12/129
D693,742 S * 11/2013 Fredendall D12/129
9,642,767 B1 5/2017 Kavanagh et al.
D792,289 S * 7/2017 Tang D12/129
2002/0070533 A1 6/2002 Owens
2006/0254631 A1 11/2006 Mullholand
2007/0163633 A1 7/2007 Gale
2008/0191437 A1 8/2008 Staub
2010/0313924 A1 12/2010 Cho
2012/0042918 A1 2/2012 Tessier
2013/0168931 A1 7/2013 Baraitaru
2014/0261592 A1 9/2014 Westerlund

OTHER PUBLICATIONS

Trust Care by Trustcare AB Malmo Sweden, <http://www.trustcare.se/p11,en,indoor-rollators-letsquos-go-silver.html>, Accessed: Jun. 16, 2016.

Features of the Carex Mobilator A334-00 online video by Carex Health Brands published Sep. 6, 2012, <https://www.youtube.com/watch?v=LI2p8Tr0ct0>, Accessed: Jun. 16, 2016.

* cited by examiner

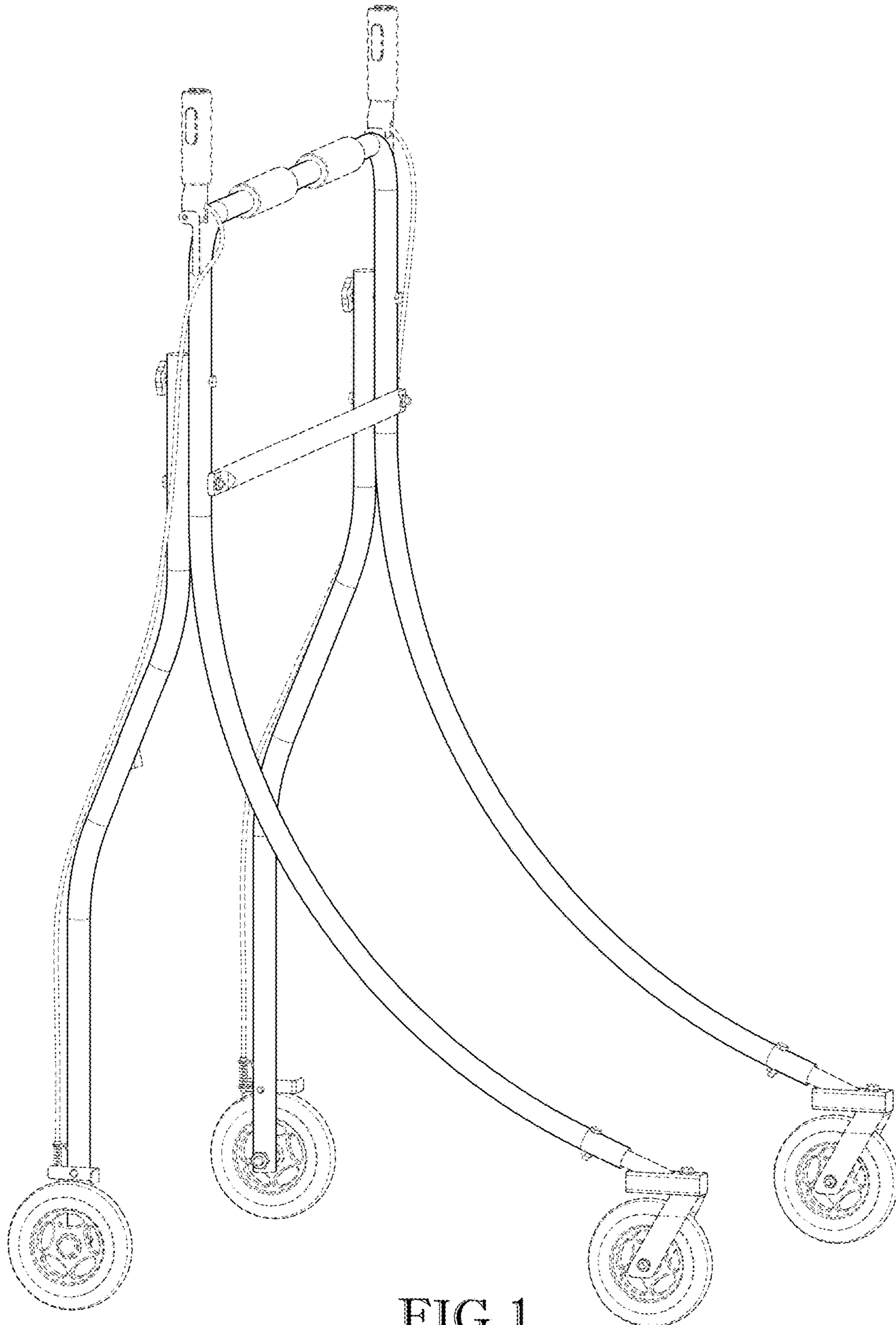


FIG. 1

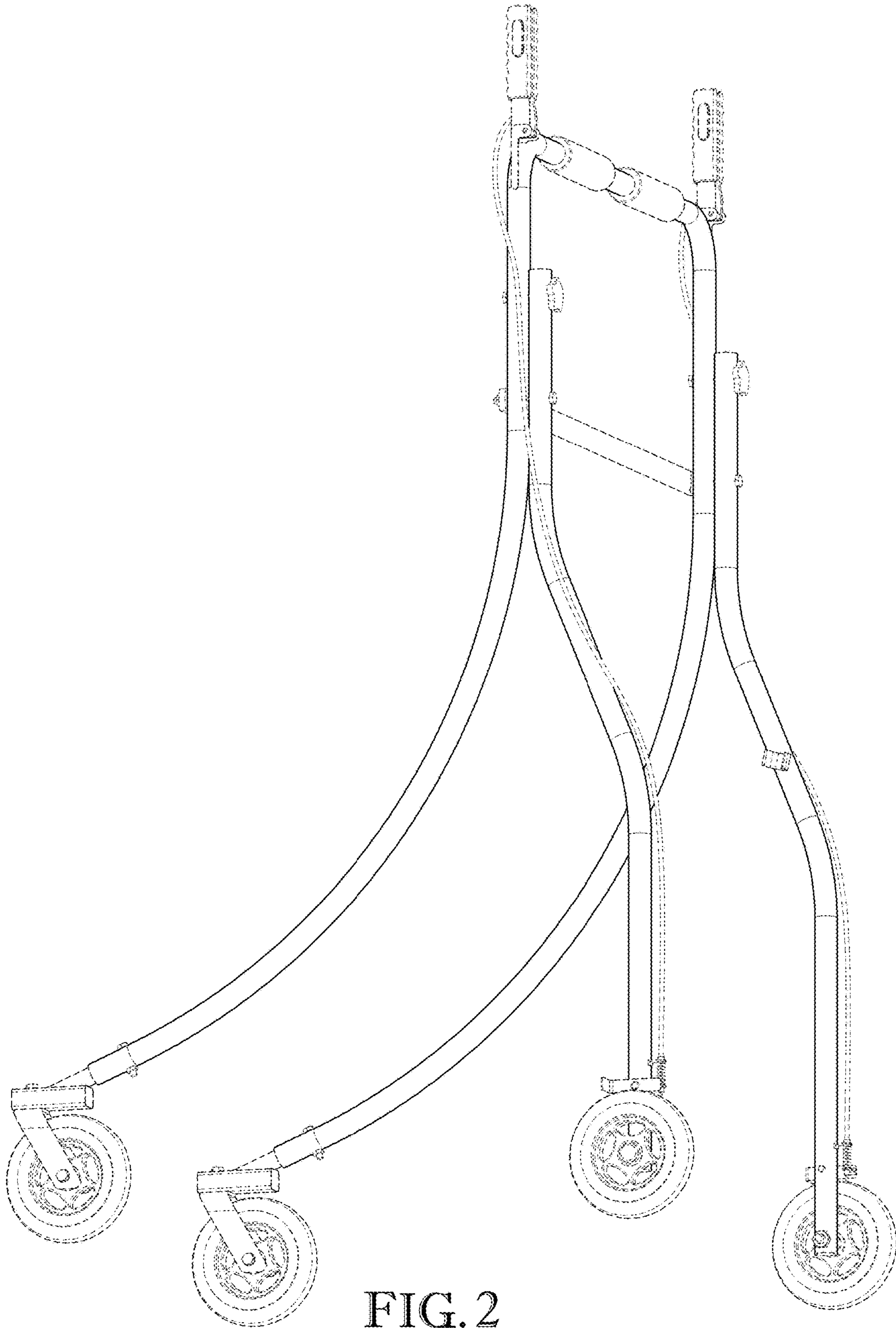


FIG. 2

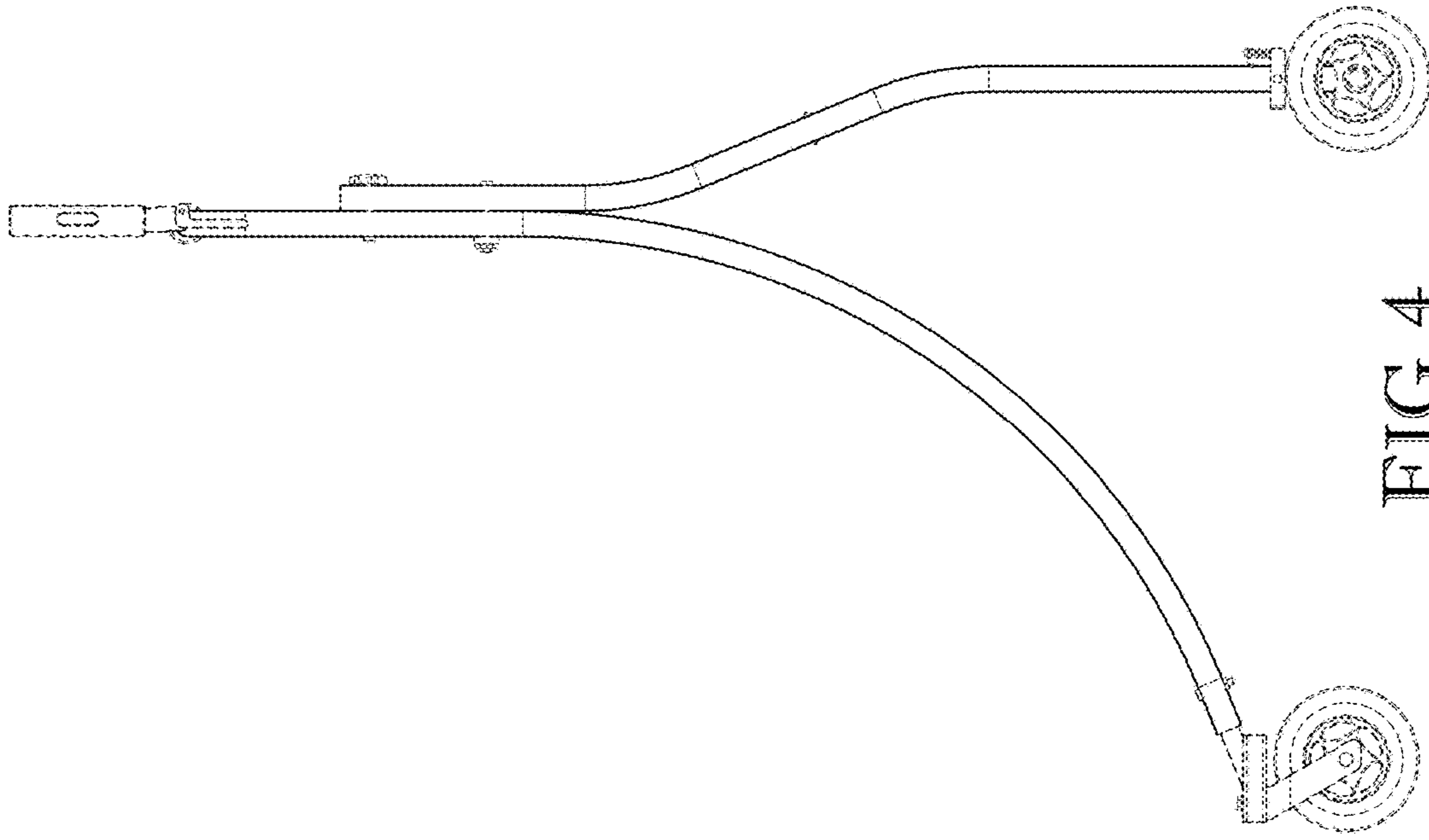


FIG. 4

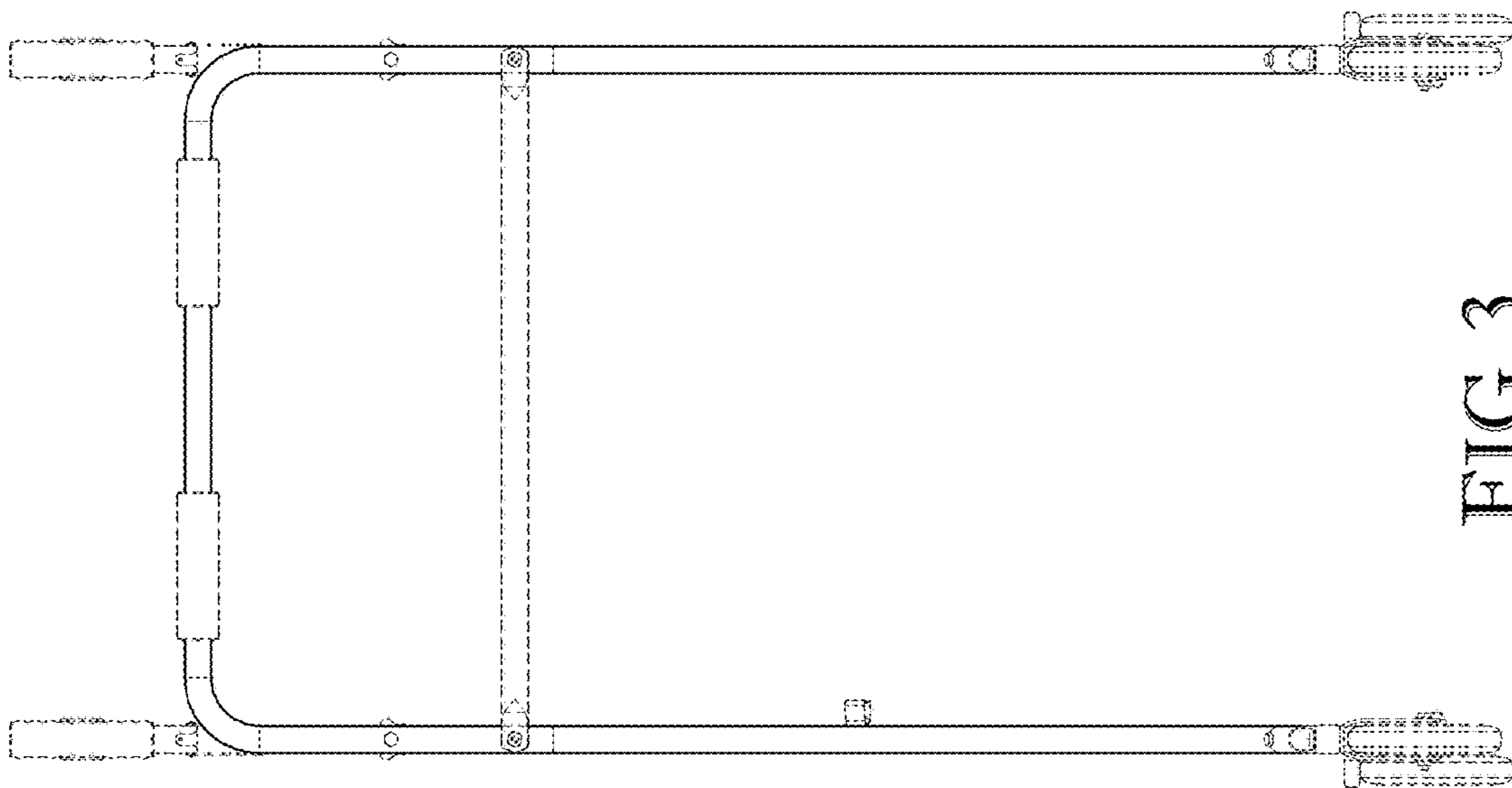


FIG. 3

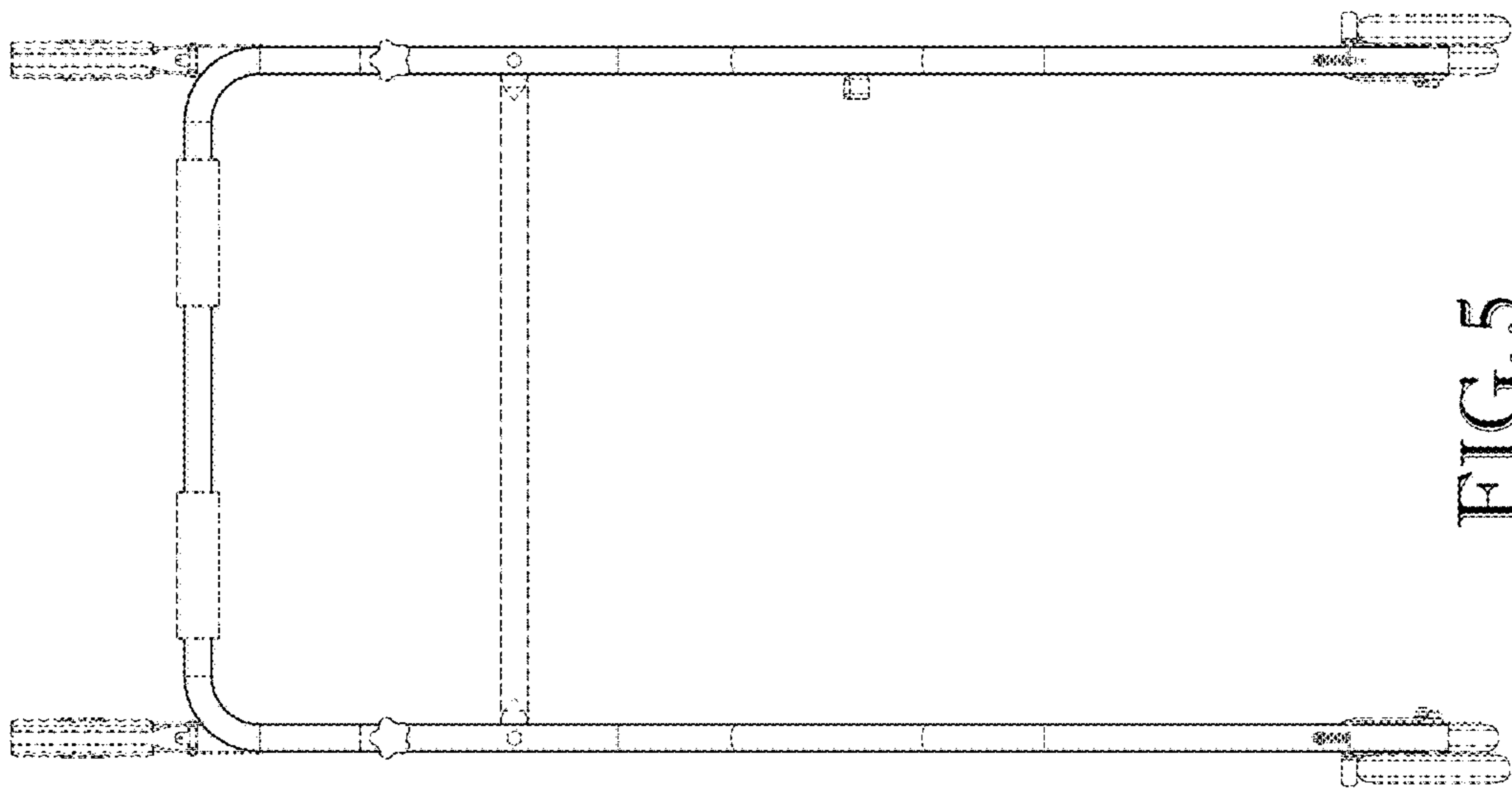


FIG. 5

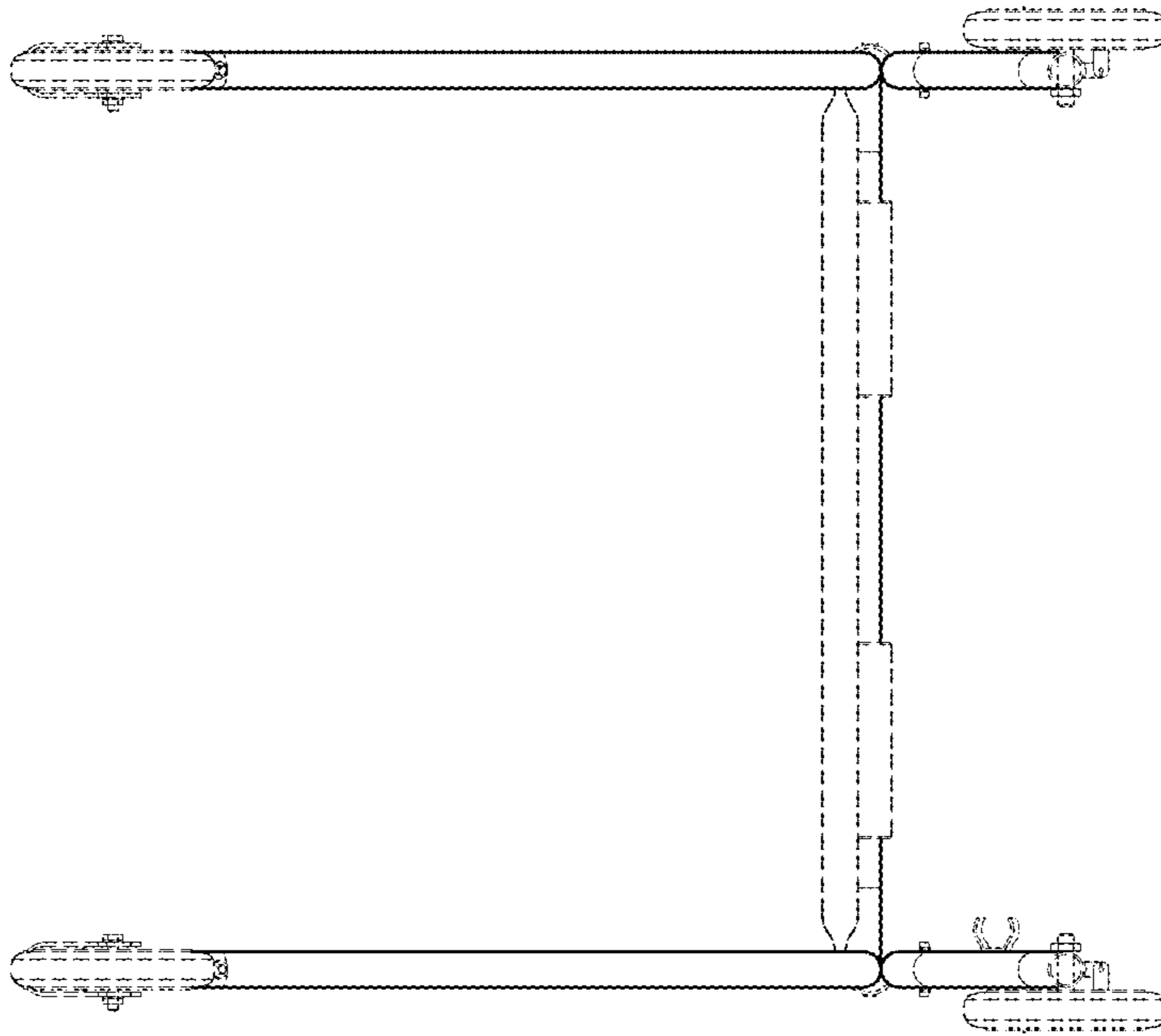


FIG. 7

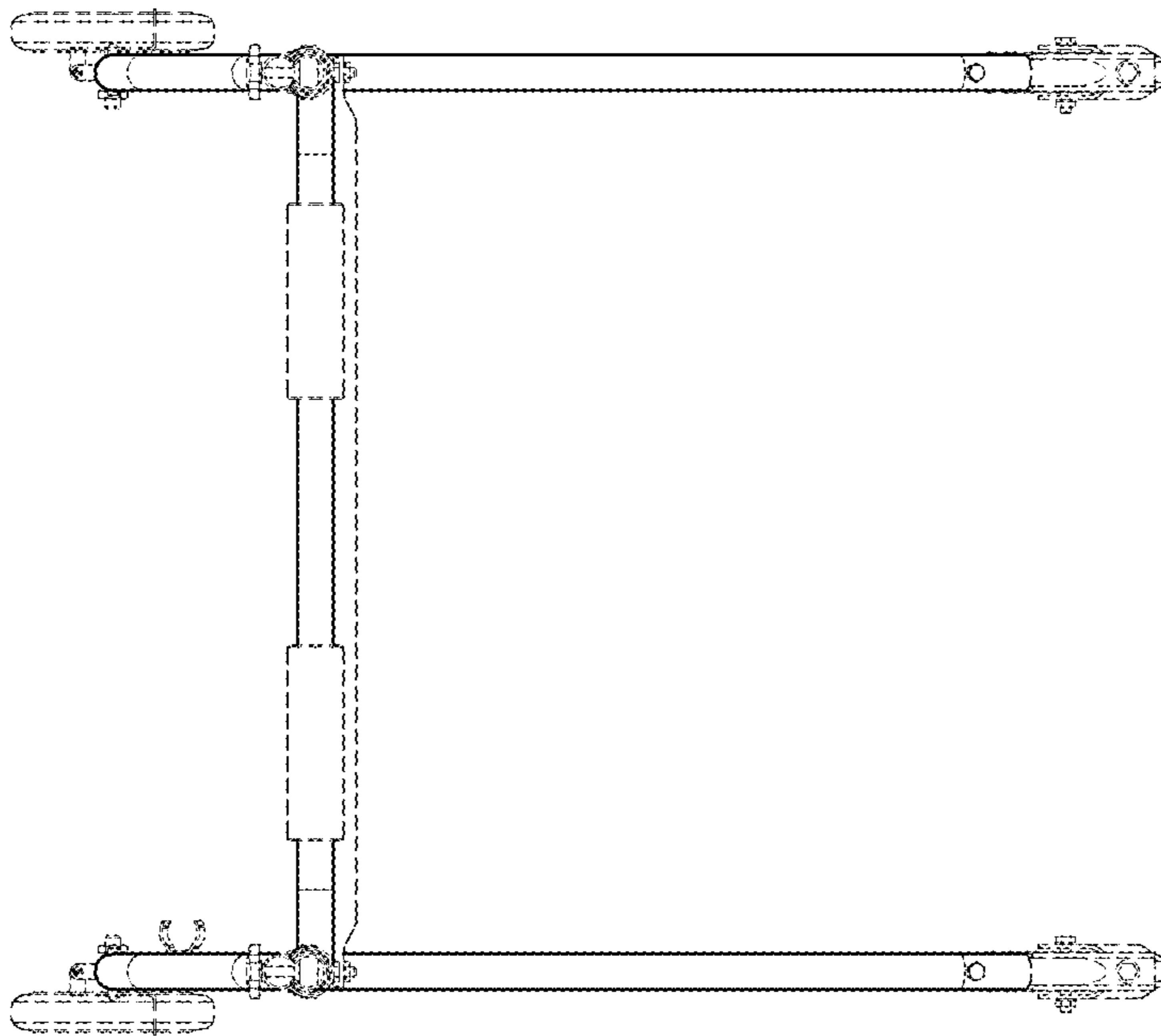


FIG. 6