



US00D836499S

(12) **United States Design Patent** (10) **Patent No.:** **US D836,499 S**
Delatorre et al. (45) **Date of Patent:** **** Dec. 25, 2018**

(54) **WALKER**

(71) Applicants: **Adilson Delatorre**, East Walpole, MA
(US); **David Lee**, Foshan (CN)

(72) Inventors: **Adilson Delatorre**, East Walpole, MA
(US); **David Lee**, Foshan (CN)

(**) Term: **15 Years**

(21) Appl. No.: **29/621,878**

(22) Filed: **Oct. 12, 2017**

(51) **LOC (11) Cl.** **12-12**

(52) **U.S. Cl.**
USPC **D12/130**

(58) **Field of Classification Search**
USPC D12/128–133
CPC A61H 3/00; A61H 3/04; A61H
2003/001–2003/007; A61H 2003/043;
A61H 2003/046
See application file for complete search history.

(56) **References Cited**

U.S. PATENT DOCUMENTS

D739,314 S * 9/2015 Wang D12/130
9,226,868 B2 * 1/2016 Andersen A61H 3/04
D754,034 S * 4/2016 Wang D12/130
D754,568 S * 4/2016 Wang D12/130

9,381,132 B2 * 7/2016 Chen A61H 3/04
9,687,411 B2 * 6/2017 Chen A61H 3/04
9,763,849 B2 * 9/2017 Paterson A61H 3/04
9,839,571 B2 * 12/2017 Pan A47C 4/04
D807,793 S * 1/2018 Paterson D12/130
9,877,889 B2 * 1/2018 Chen A61H 3/04
9,907,723 B2 * 3/2018 Bisceglia A61H 3/04
9,968,509 B2 * 5/2018 Andersen A61H 3/04
9,974,708 B1 * 5/2018 Janeczek A61H 3/04

* cited by examiner

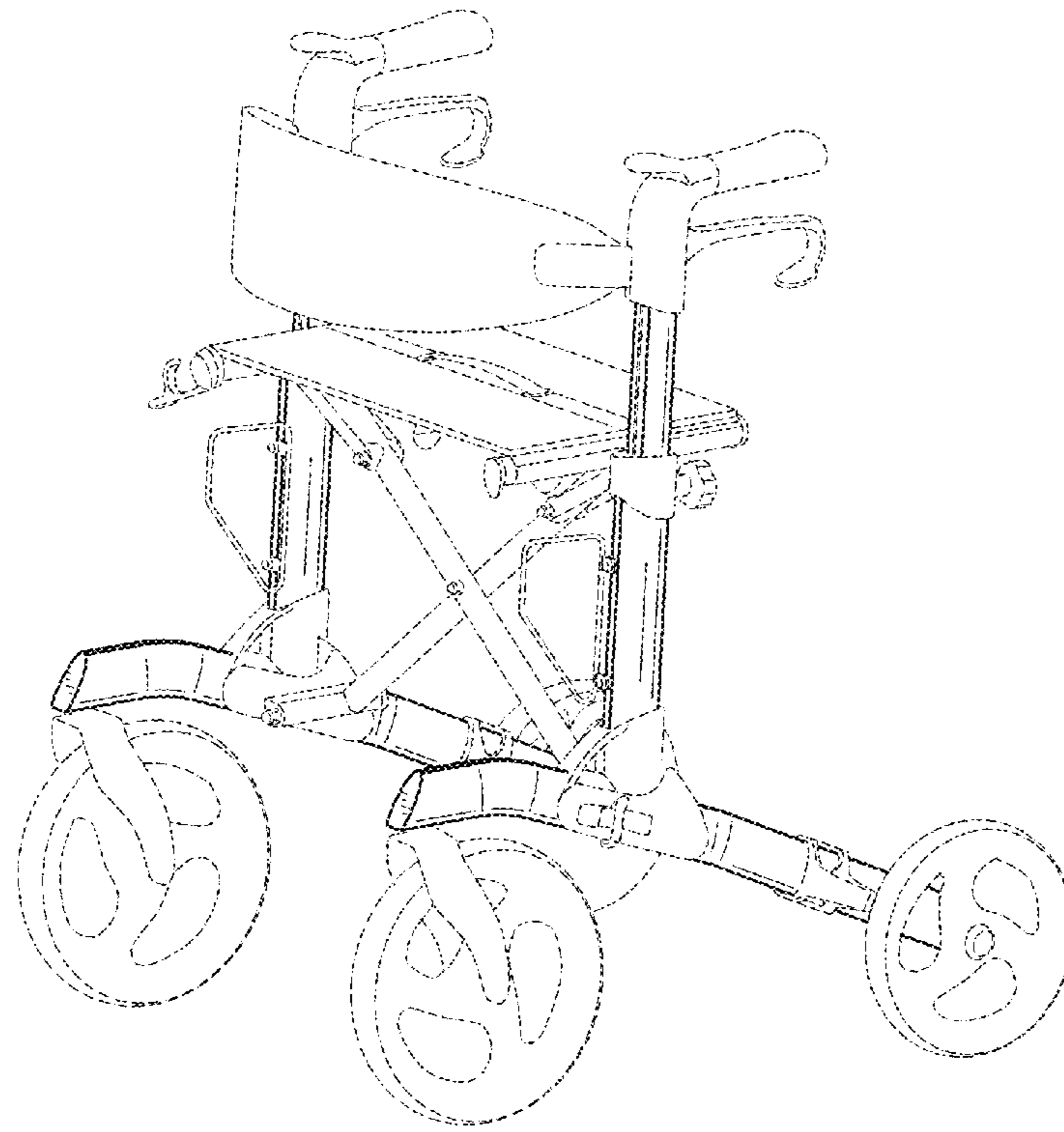
Primary Examiner — Charles D Hanson
(74) *Attorney, Agent, or Firm* — Dunlap Bennett &
Ludwig PLLC

(57) **CLAIM**
The ornamental design for a walker, as shown and described.

DESCRIPTION

FIG. 1 is a perspective view of a walker, showing our new design;
FIG. 2 is a front elevation view thereof;
FIG. 3 is a rear elevation view thereof;
FIG. 4 is a left-side elevation view thereof;
FIG. 5 is a right-side elevation view thereof;
FIG. 6 is a top plan view thereof; and,
FIG. 7 is a bottom plan view thereof.
The broken lines shown in the drawings depict portions of the walker that form no part of the claimed design.

1 Claim, 4 Drawing Sheets



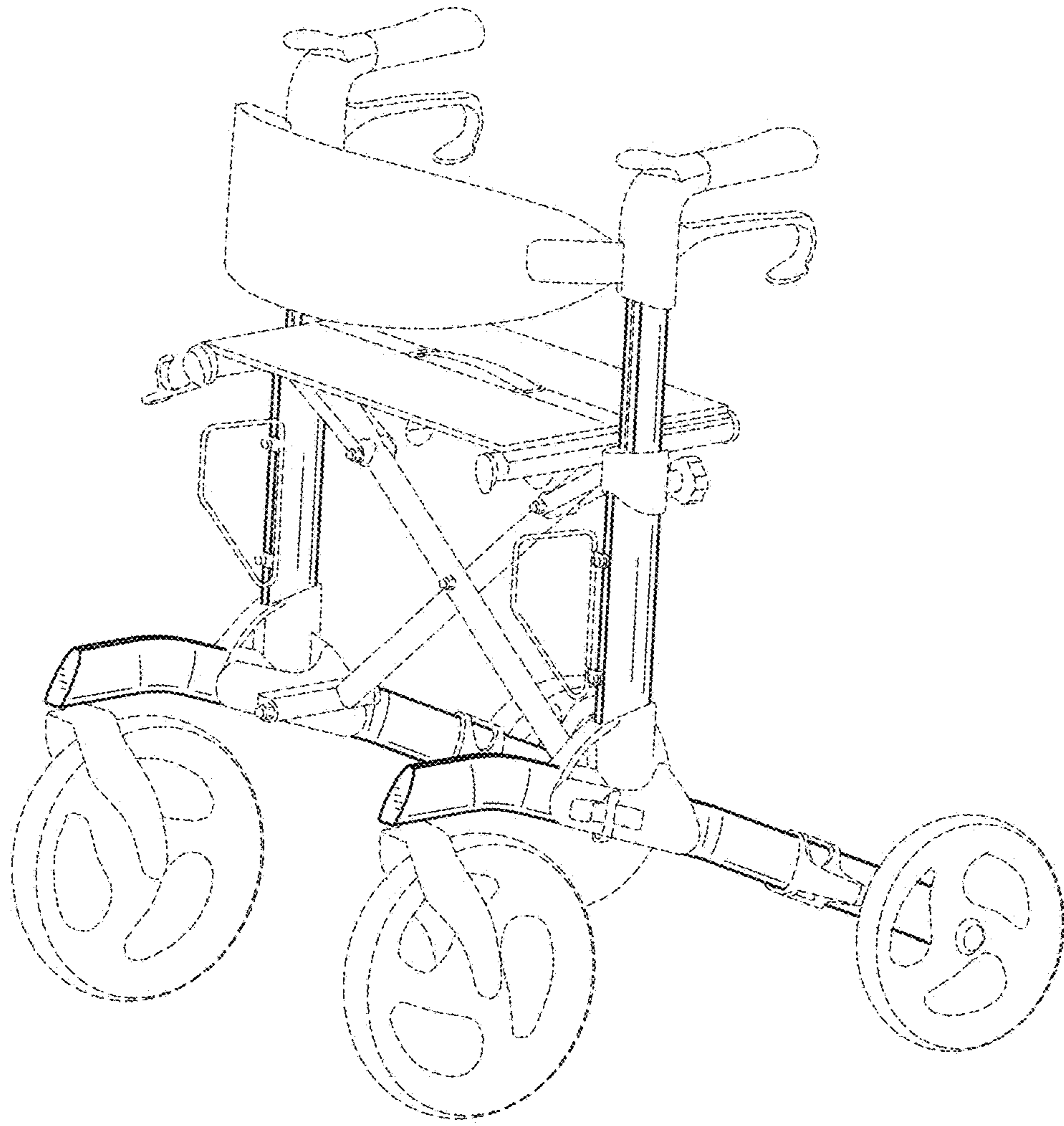


FIG. 1

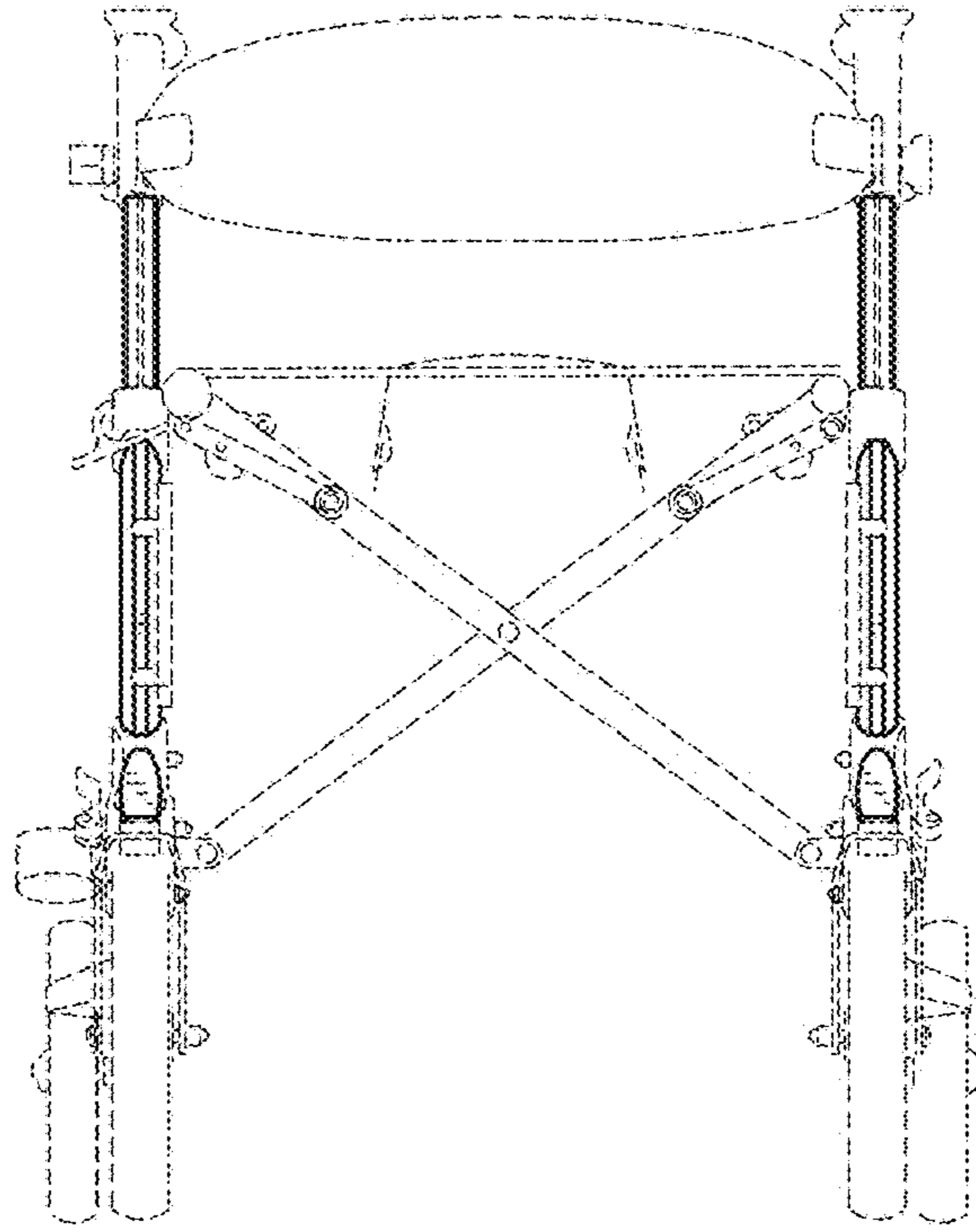


FIG. 2

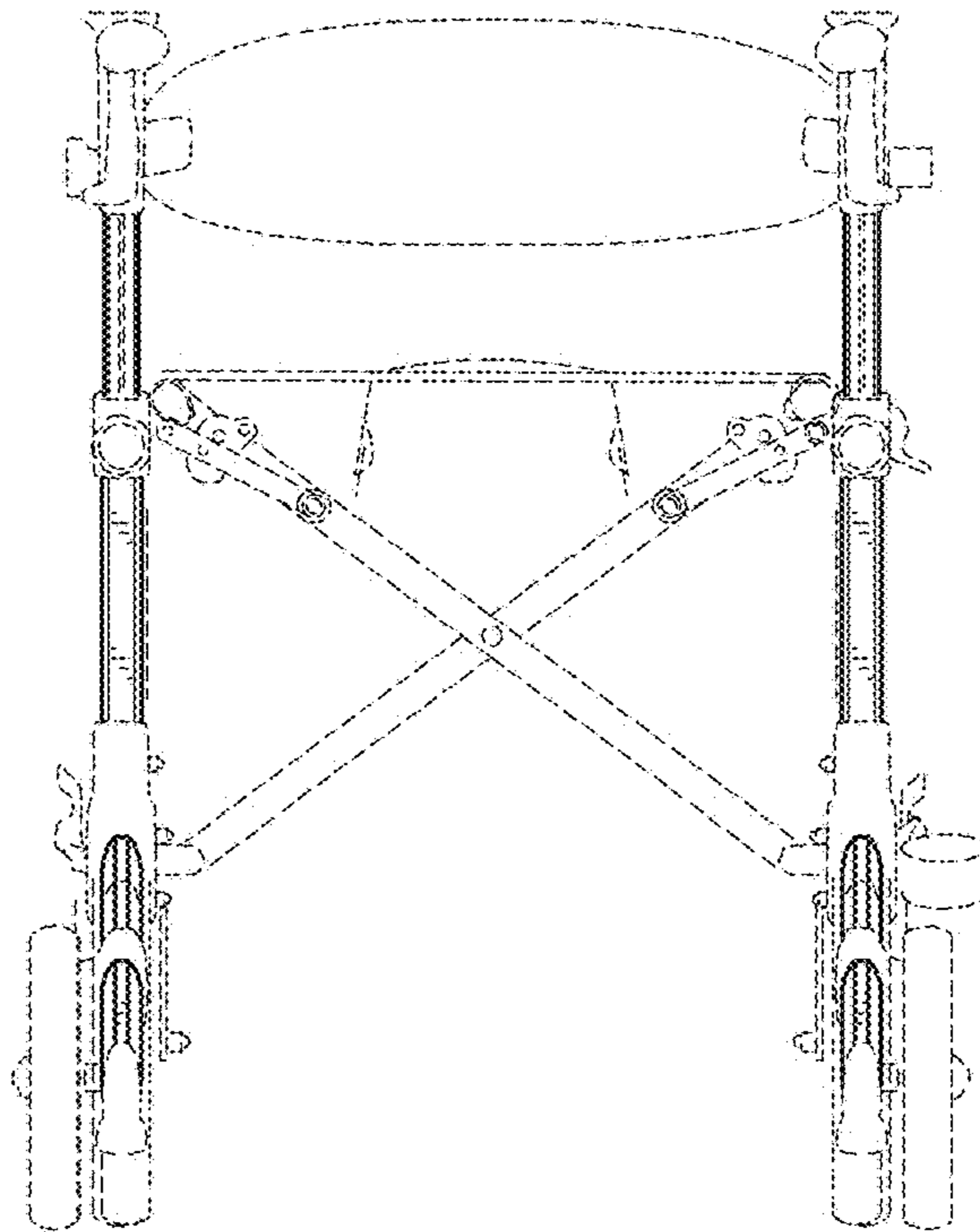


FIG. 3

FIG. 4

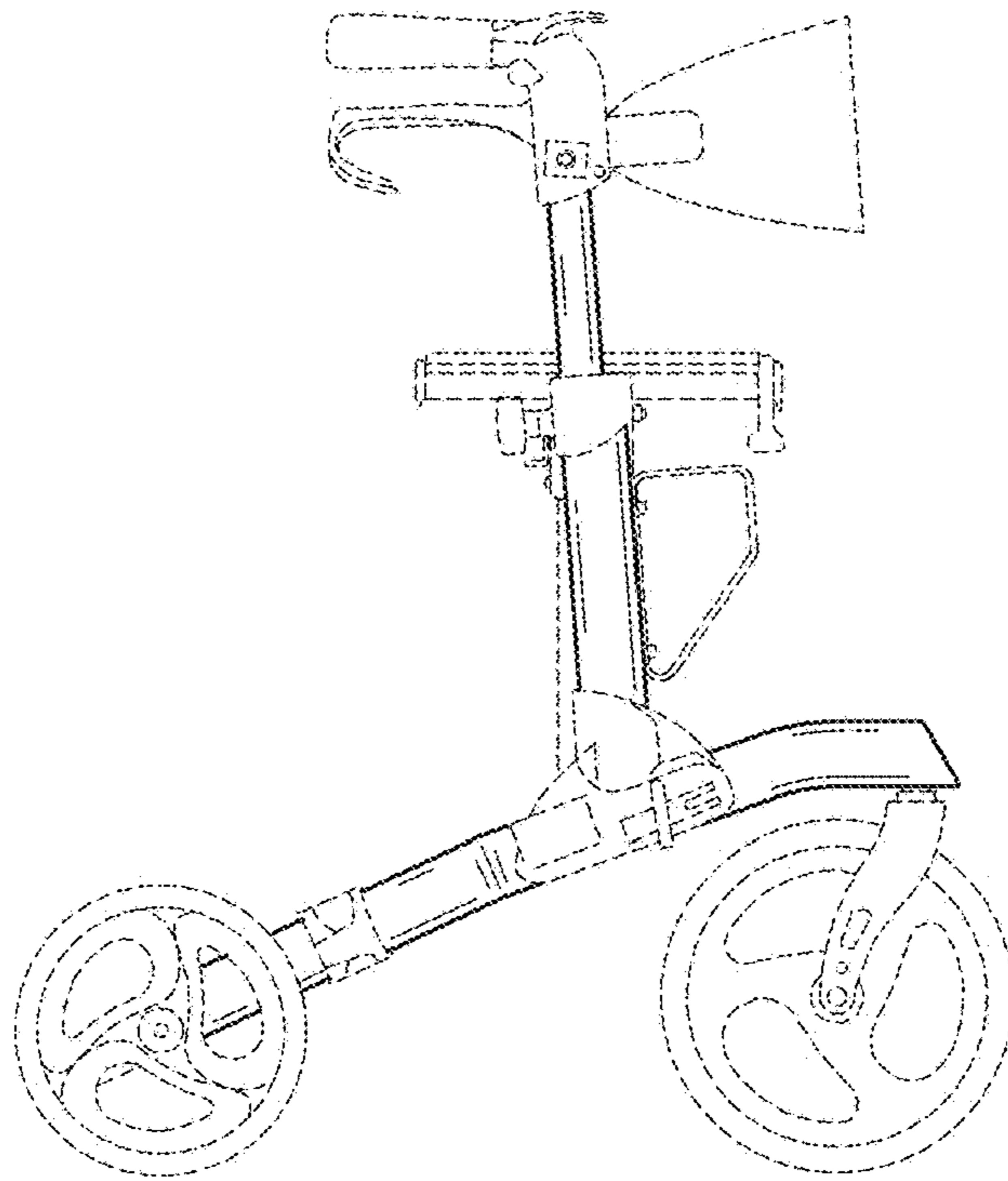
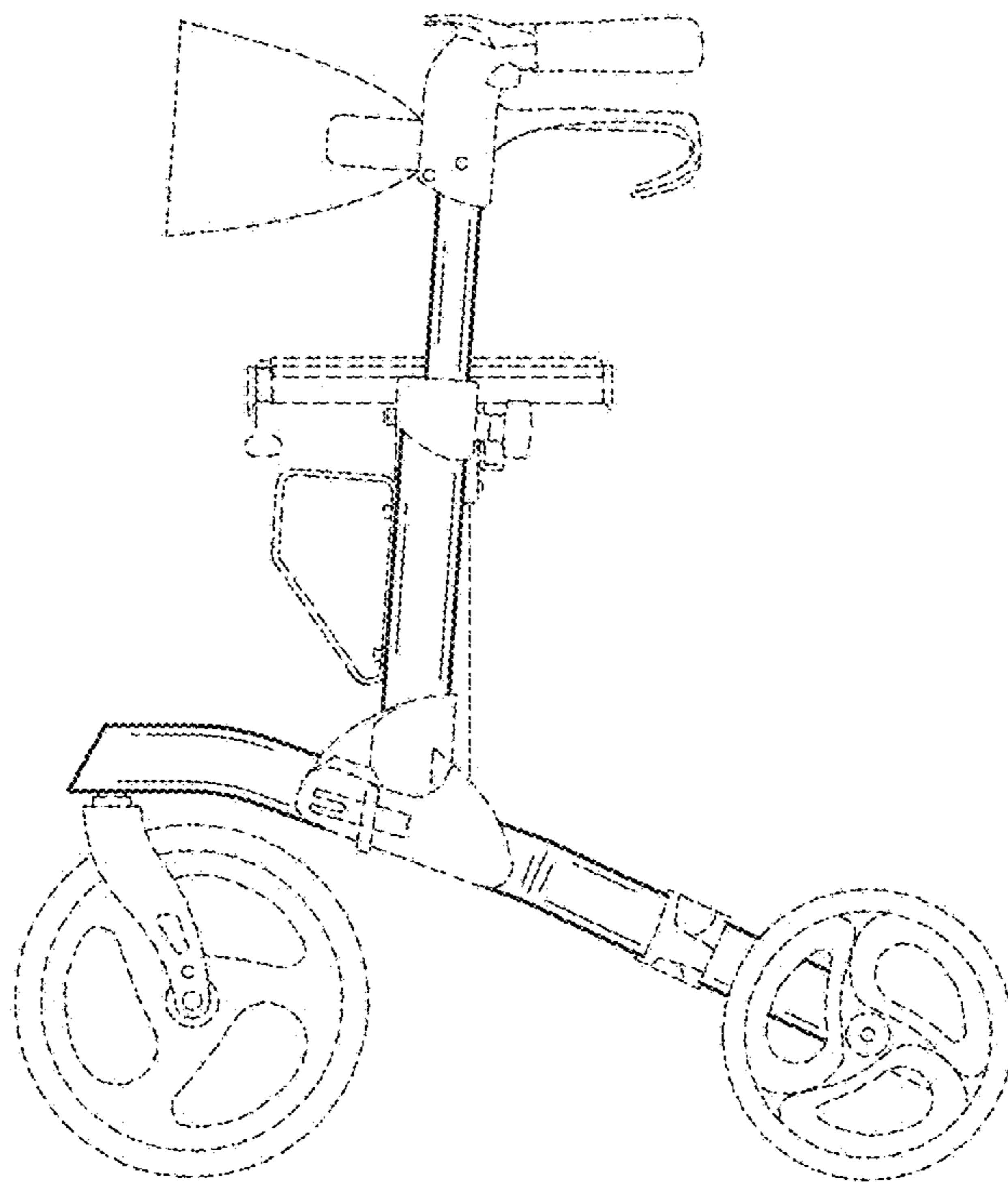


FIG. 5



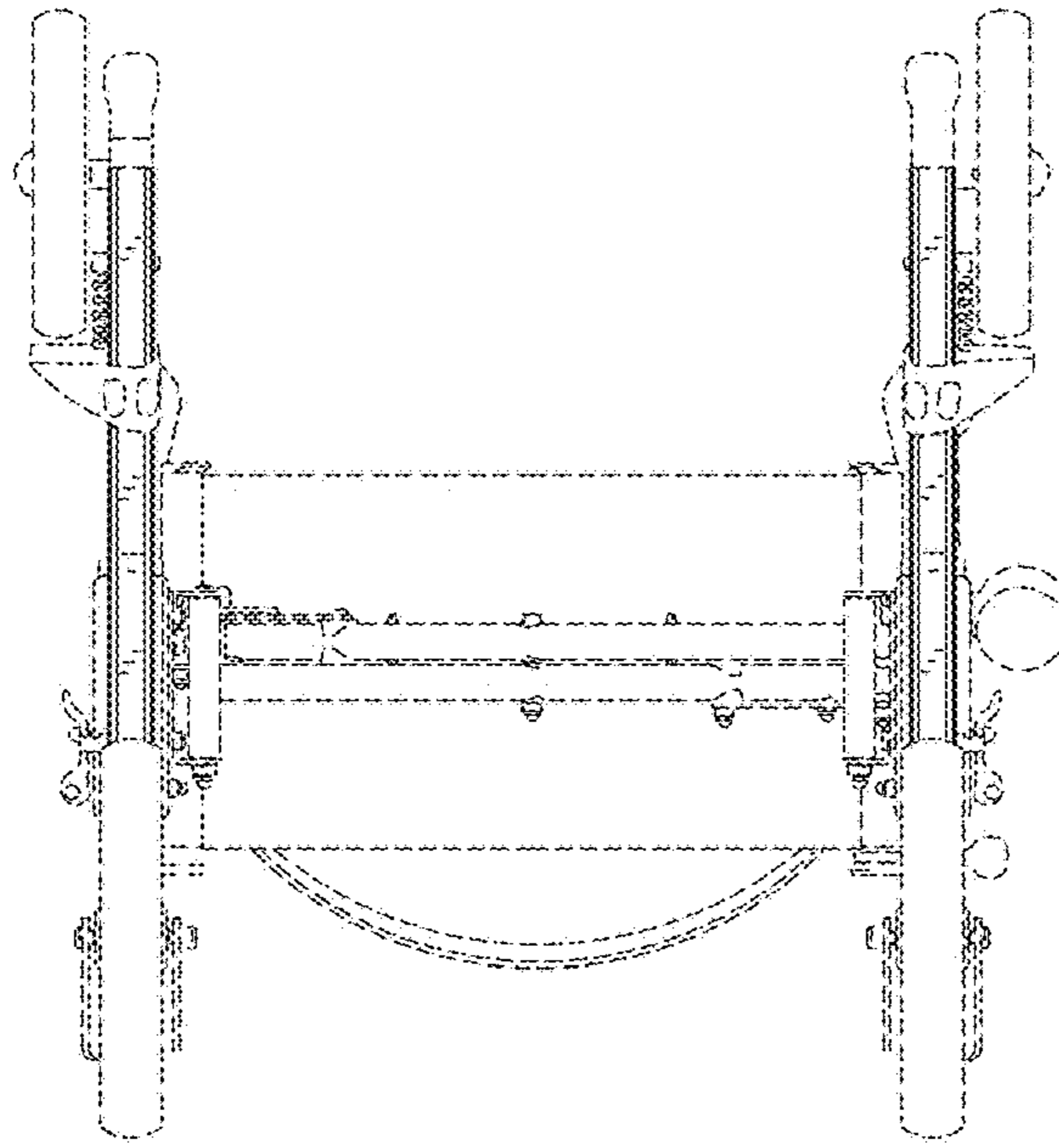


FIG. 6

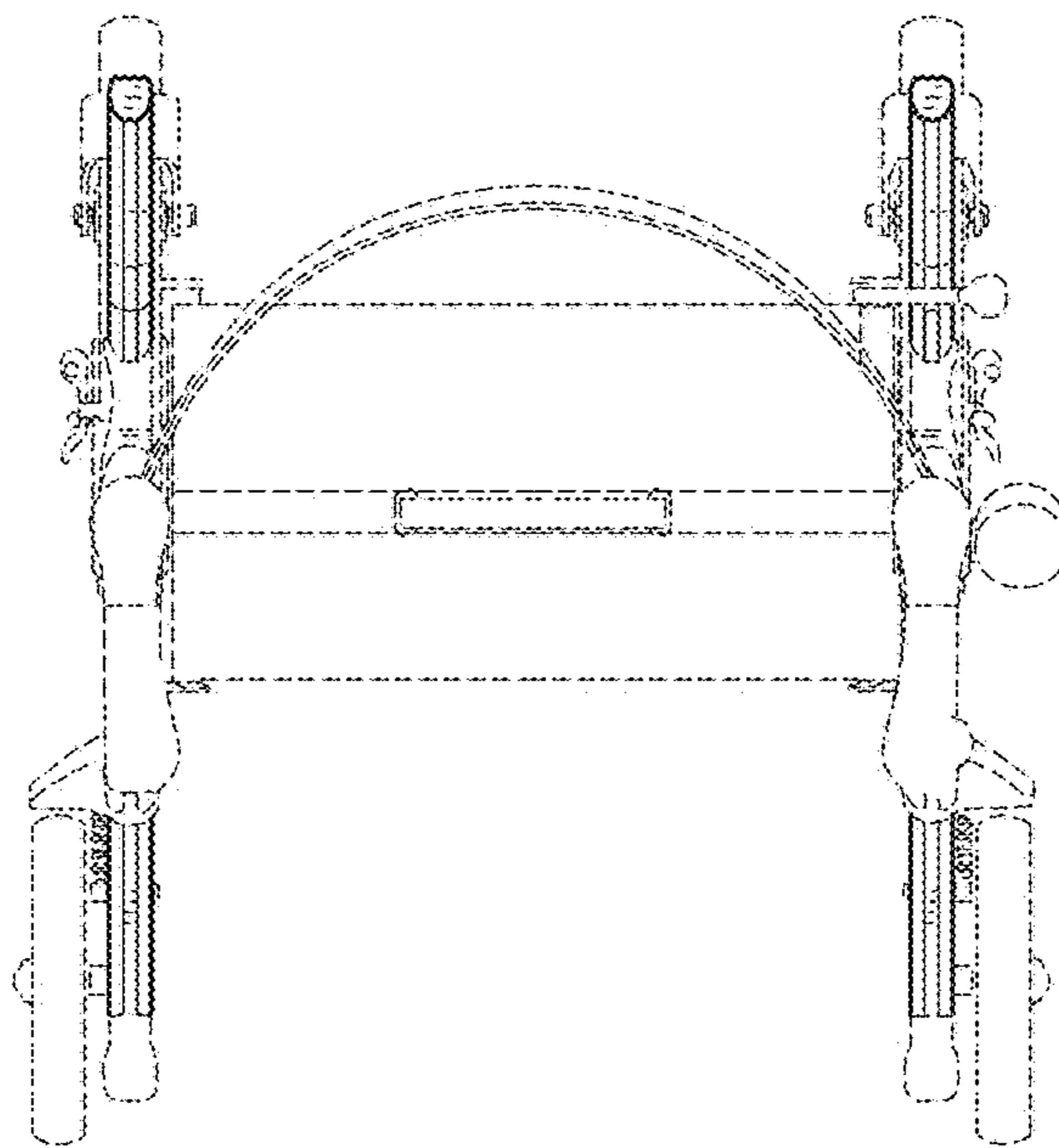


FIG. 7