



US00D836498S

(12) **United States Design Patent**  
**Häuser et al.**

(10) **Patent No.:** **US D836,498 S**  
(45) **Date of Patent:** **\*\* Dec. 25, 2018**

(54) **STROLLER FRAME FOR CHILDREN**

(71) Applicant: **CYBEX GMBH**, Bayreuth (DE)

(72) Inventors: **Johannes Häuser**, Bayreuth (DE);  
**Lingwei Huang**, Bayreuth (DE); **Peter Koller**, Bayreuth (DE); **Ludwig Kaimer**, Bayreuth (DE); **Jan Hüttmann**, Bayreuth (DE); **Ralf Holleis**, Bayreuth (DE)

(73) Assignee: **CYBEX GMBH**, Bayreuth (DE)

(\*\*) Term: **15 Years**

(21) Appl. No.: **35/502,484**

(22) Filed: **Aug. 24, 2016**

(80) **Hague Agreement Data**

Int. Filing Date: **Aug. 24, 2016**

Int. Reg. No.: **DM/092697**

Int. Reg. Date: **Aug. 24, 2016**

Int. Reg. Pub. Date: **Feb. 24, 2017**

(51) **LOC (11) Cl.** ..... **12-12**

(52) **U.S. Cl.**

USPC ..... **D12/129**

(58) **Field of Classification Search**

USPC ..... D12/129

See application file for complete search history.

(56) **References Cited**

**U.S. PATENT DOCUMENTS**

D424,483 S *	5/2000	Tripodi	.....	D12/129
D450,266 S *	11/2001	Lin	.....	D12/129
D527,316 S *	8/2006	Oxseth	.....	D12/129
D587,635 S *	3/2009	Gower	.....	D12/129
D621,306 S *	8/2010	Liao	.....	D12/129

D634,245 S *	3/2011	Liao	.....	D12/129
D672,692 S *	12/2012	Jane Santamaria	.....	D12/129
D699,633 S *	2/2014	Kobayashi	.....	D12/129
D704,599 S *	5/2014	Canedos	.....	D12/129
D715,701 S *	10/2014	Chen	.....	D12/129
D737,733 S *	9/2015	Zhong	.....	D12/129
D755,685 S *	5/2016	Angelfoss	.....	D12/129
D769,158 S *	10/2016	Ruggiero	.....	D12/129
D774,993 S *	12/2016	Zehfuss	.....	D12/129
D786,144 S *	5/2017	Pos	.....	D12/129
D787,381 S *	5/2017	Pos	.....	D12/129
D802,489 S *	11/2017	Stiba	.....	D12/129

\* cited by examiner

*Primary Examiner* — Michael A. Pratt

(74) *Attorney, Agent, or Firm* — Boyle Fredrickson, S.C.

(57) **CLAIM**

The ornamental design for a stroller frame for children, as shown and described.

**DESCRIPTION**

1. Stroller frame for children

**1.1** is a perspective view of a stroller frame for children in accordance with the present invention;

**1.2** is a side elevational view of a first side of the stroller frame for children of **1.1**;

**1.3** is a side elevational view of a second side of the stroller frame for children of **1.1**;

**1.4** is a front elevational view of the stroller frame for children of **1.1**;

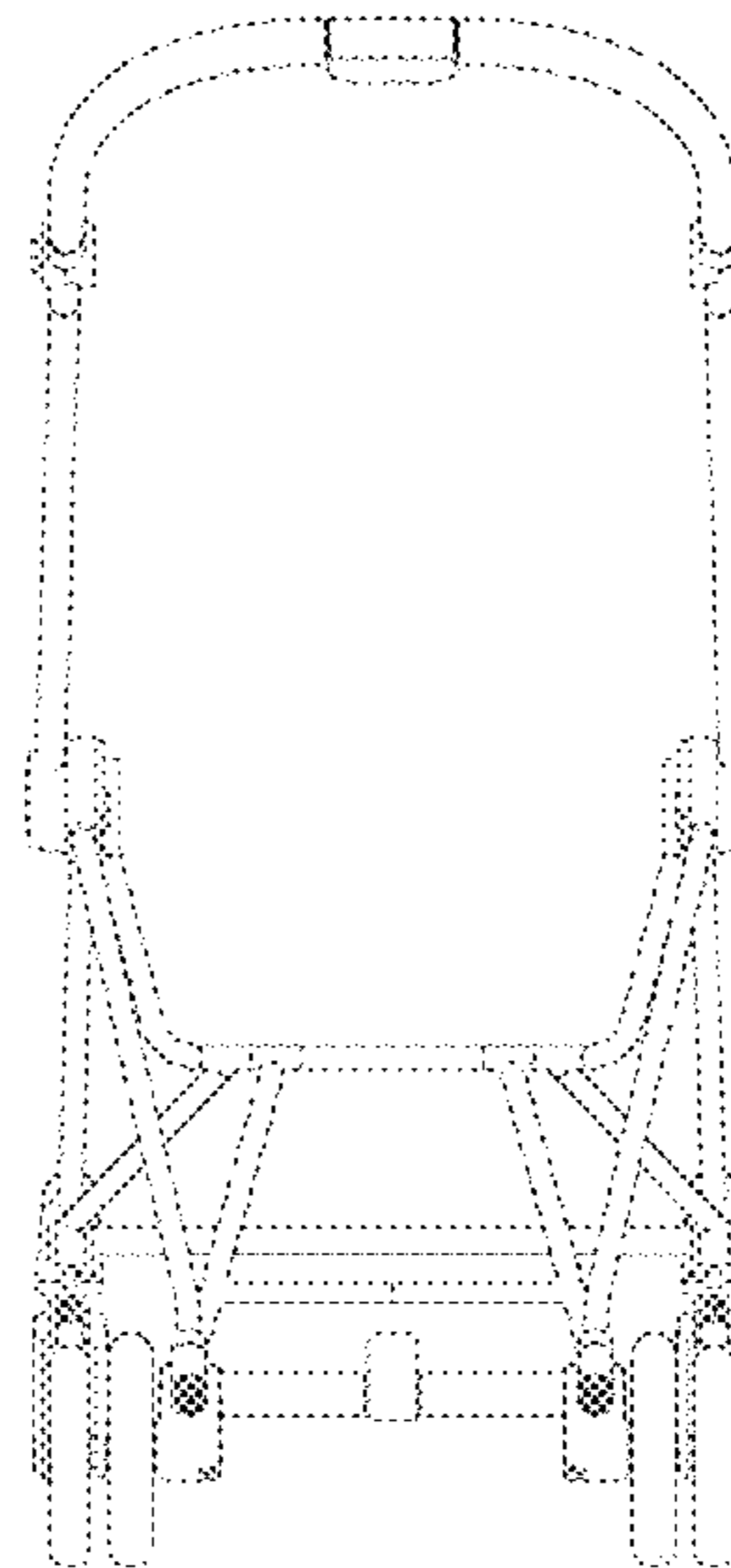
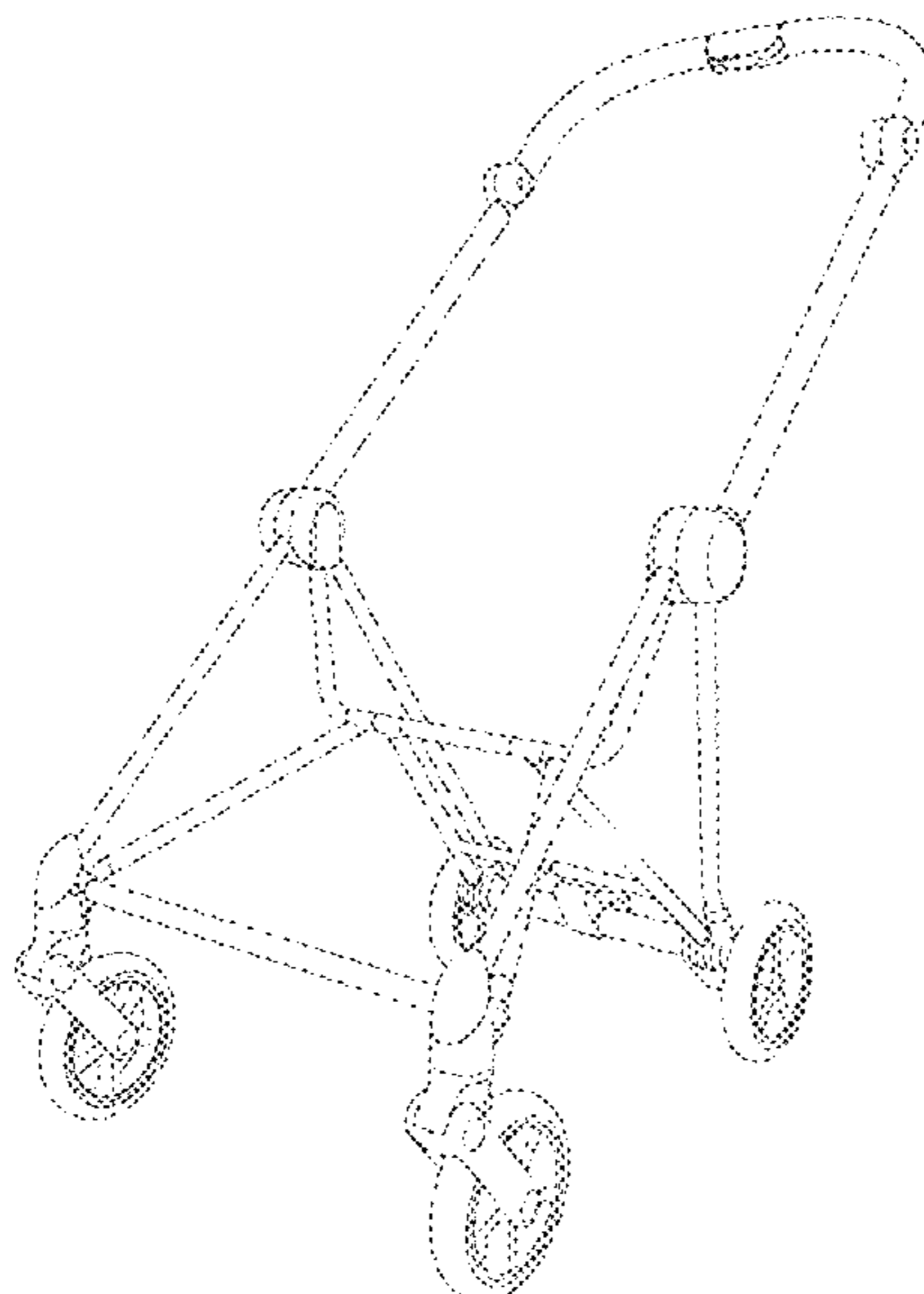
**1.5** is a rear elevational view of the stroller frame or children of **1.1**;

**1.6** is a top plan view of the stroller frame for children of **1.1**; and

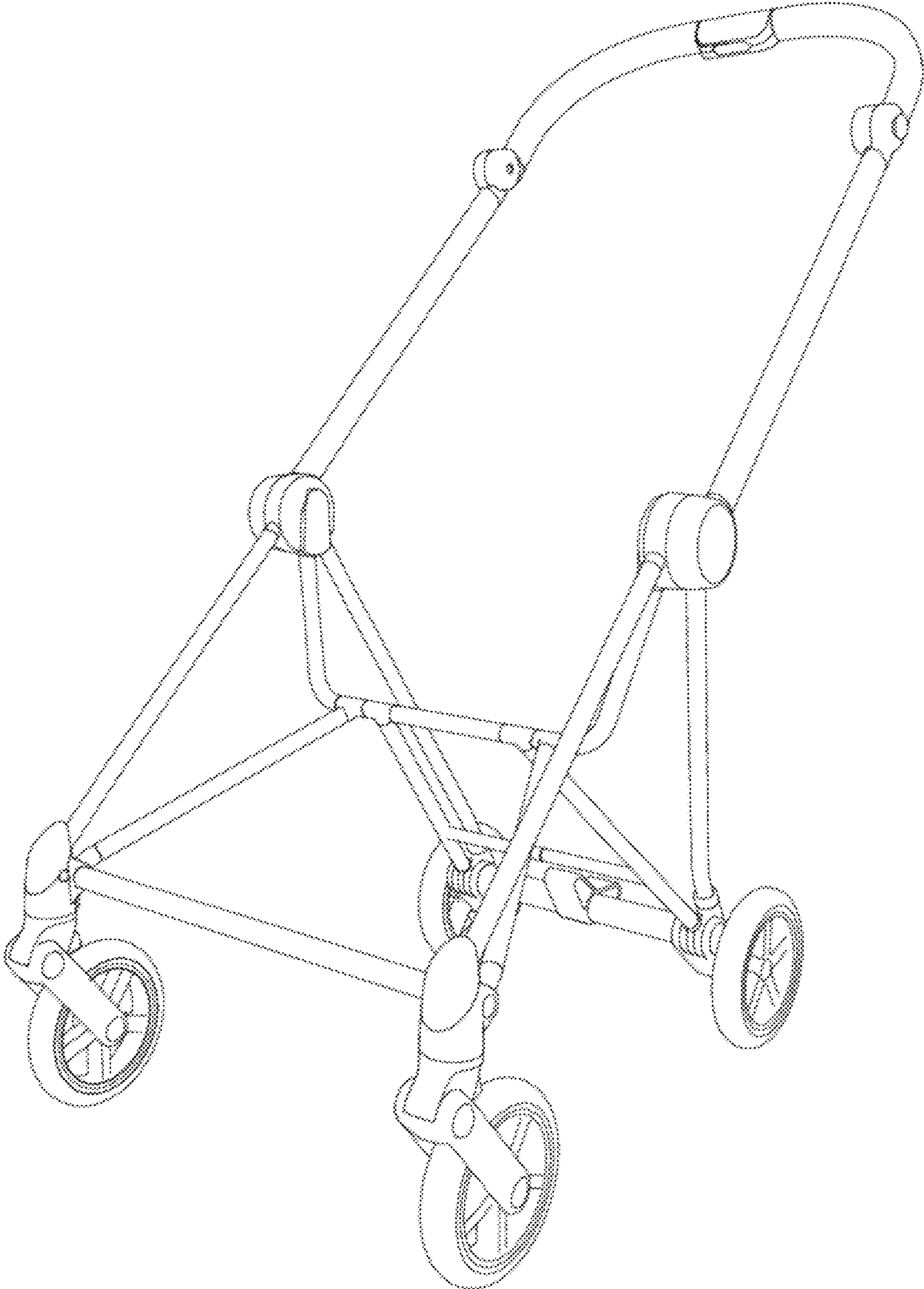
**1.7** is a bottom plan view of the stroller frame for children of **1.1**.

Frame for a stroller or pushchair, respectively.

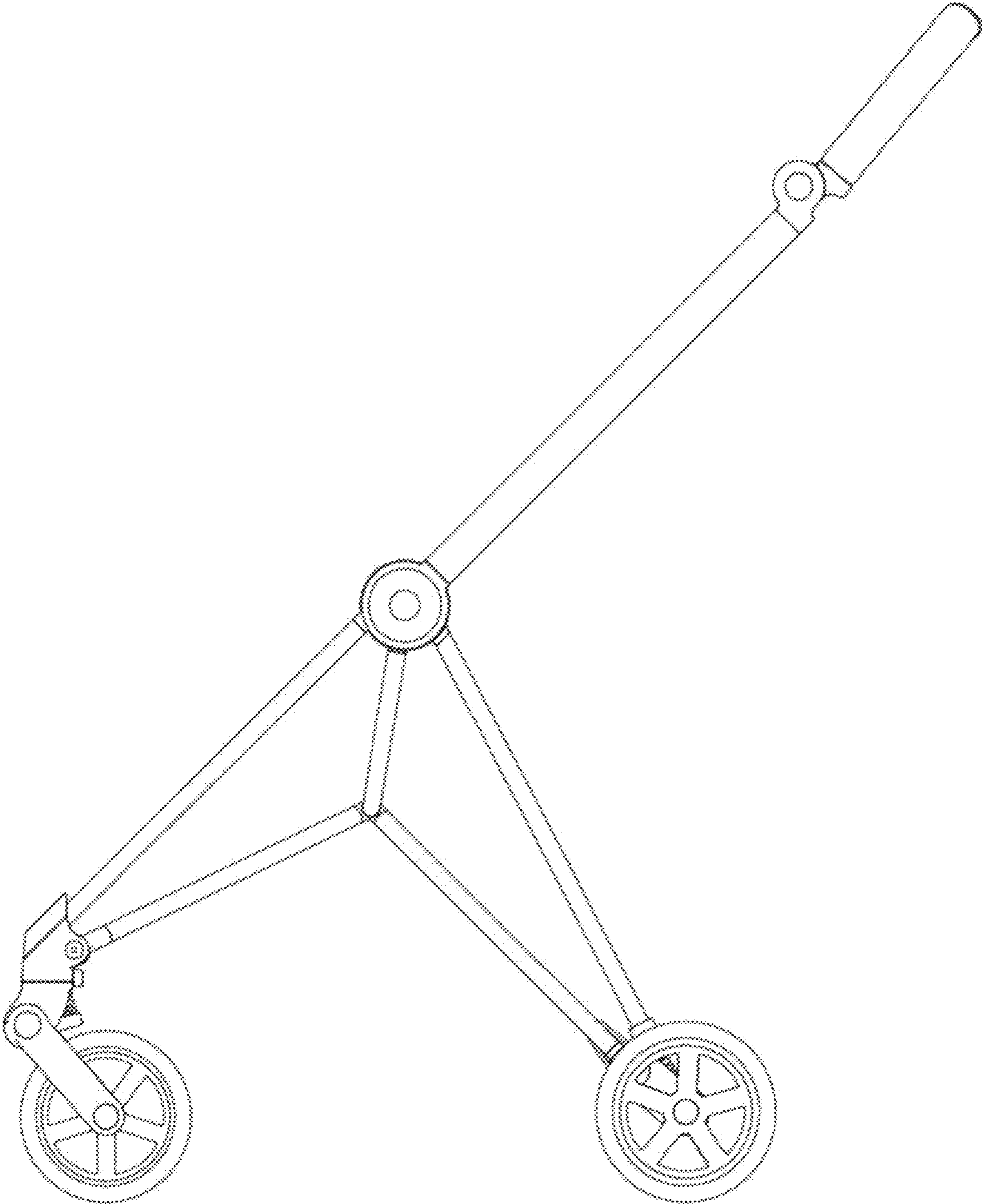
**1 Claim, 7 Drawing Sheets**



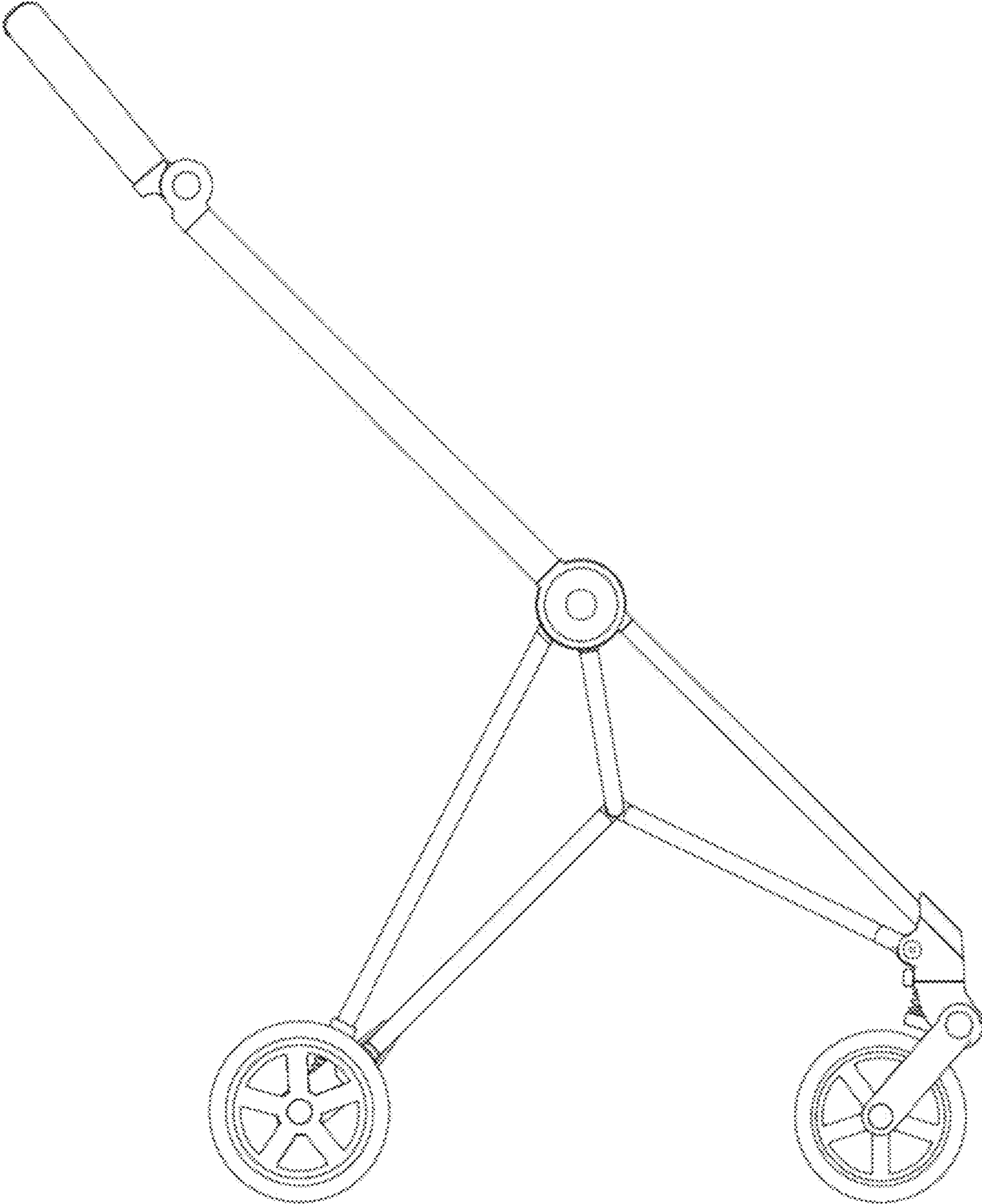
1.1



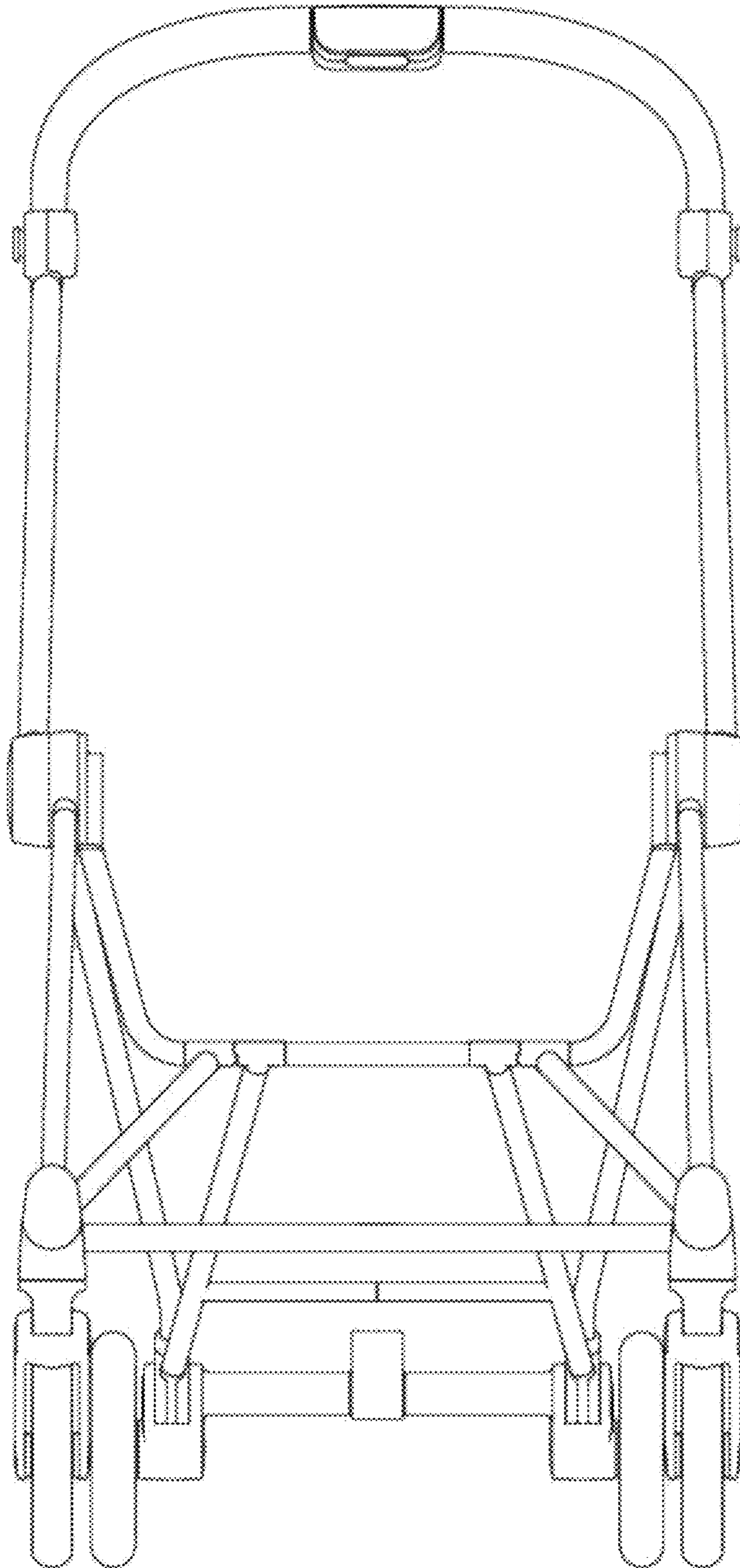
1.2



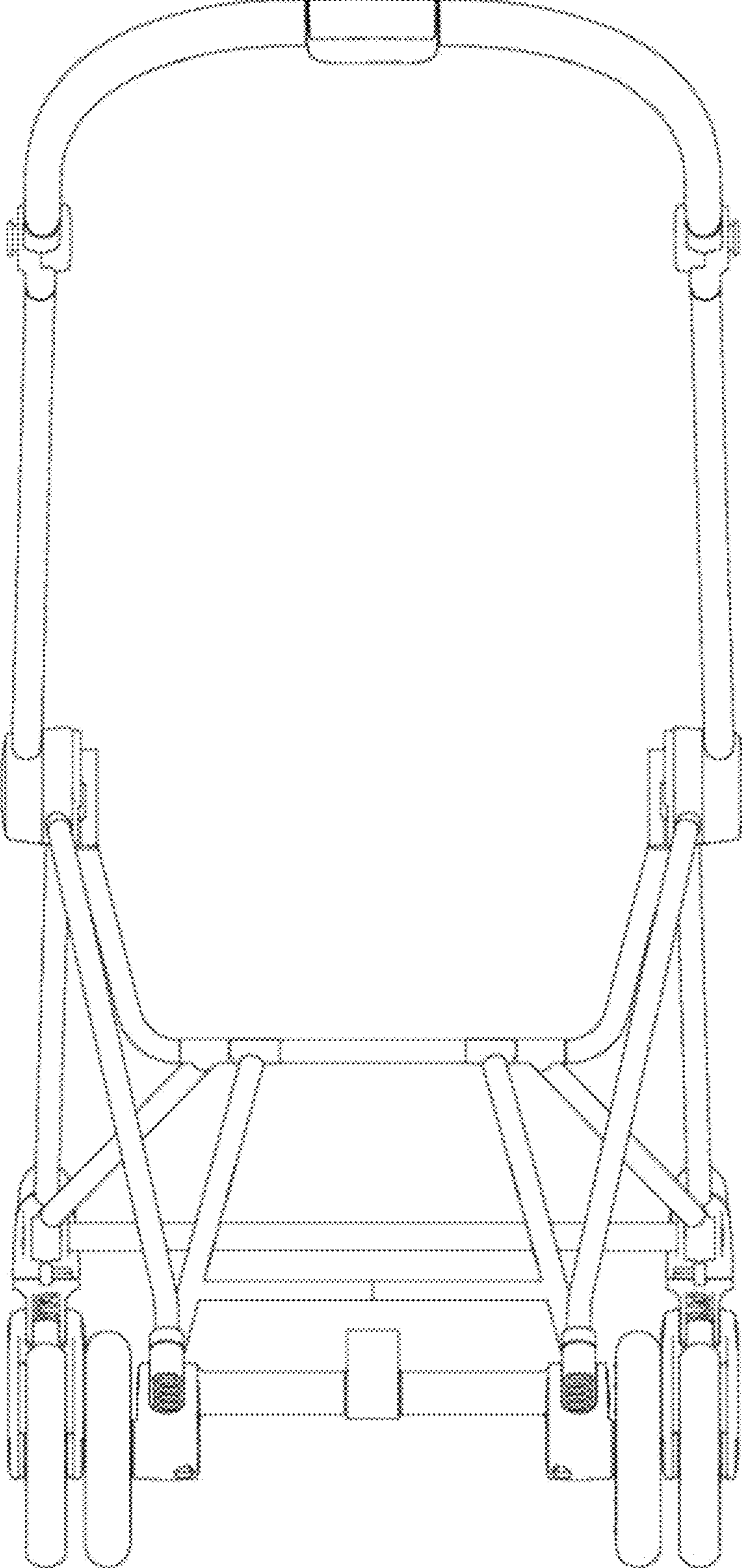
1.3



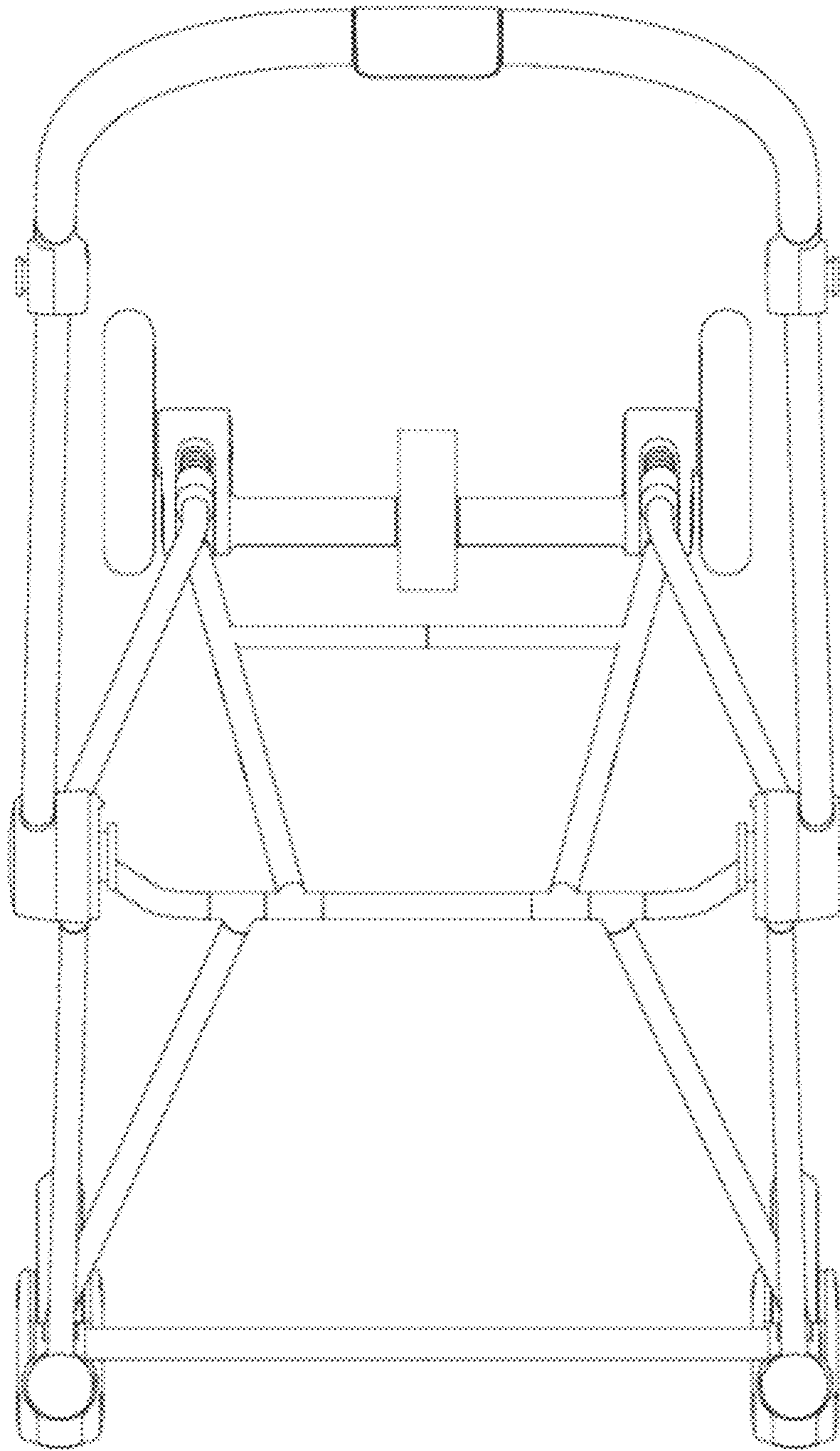
1.4



1.5



**1.6**



**1.7**

