



US00D836493S

(12) **United States Design Patent**
Lai

(10) **Patent No.:** **US D836,493 S**

(45) **Date of Patent:** **** Dec. 25, 2018**

- (54) **BICYCLE INTELLIGENT LOCK**
- (71) Applicant: **Chunyan Lai**, Sichuan (CN)
- (72) Inventor: **Chunyan Lai**, Sichuan (CN)
- (**) Term: **15 Years**
- (21) Appl. No.: **29/588,453**
- (22) Filed: **Dec. 20, 2016**
- (51) **LOC (11) Cl.** **12-11**
- (52) **U.S. Cl.**
USPC **D12/114**
- (58) **Field of Classification Search**
USPC D12/114, 115, 400; D8/333, 334, 343
CPC B62H 5/00; B62H 5/001; B62H 5/003;
B62H 5/20
See application file for complete search history.

D658,968 S *	5/2012	Wyers	D8/333
D696,927 S *	1/2014	Wyers	B60R 25/093
				D8/336
D701,106 S *	3/2014	Plato	D8/333
D701,745 S *	4/2014	Stevens	D8/333
D702,102 S *	4/2014	Stevens	D8/333
D708,041 S *	7/2014	Day	D8/333
D748,016 S *	1/2016	Wang	D12/114
D763,778 S *	8/2016	Kirkham	D12/400
D782,278 S *	3/2017	Smith	D8/333
D798,689 S *	10/2017	Osada	D8/343

* cited by examiner

Primary Examiner — Michelle E. Wilson
Assistant Examiner — Clese Moore, Jr.

(57) **CLAIM**

The ornamental design for bicycle intelligent lock, as shown and described.

(56) **References Cited**

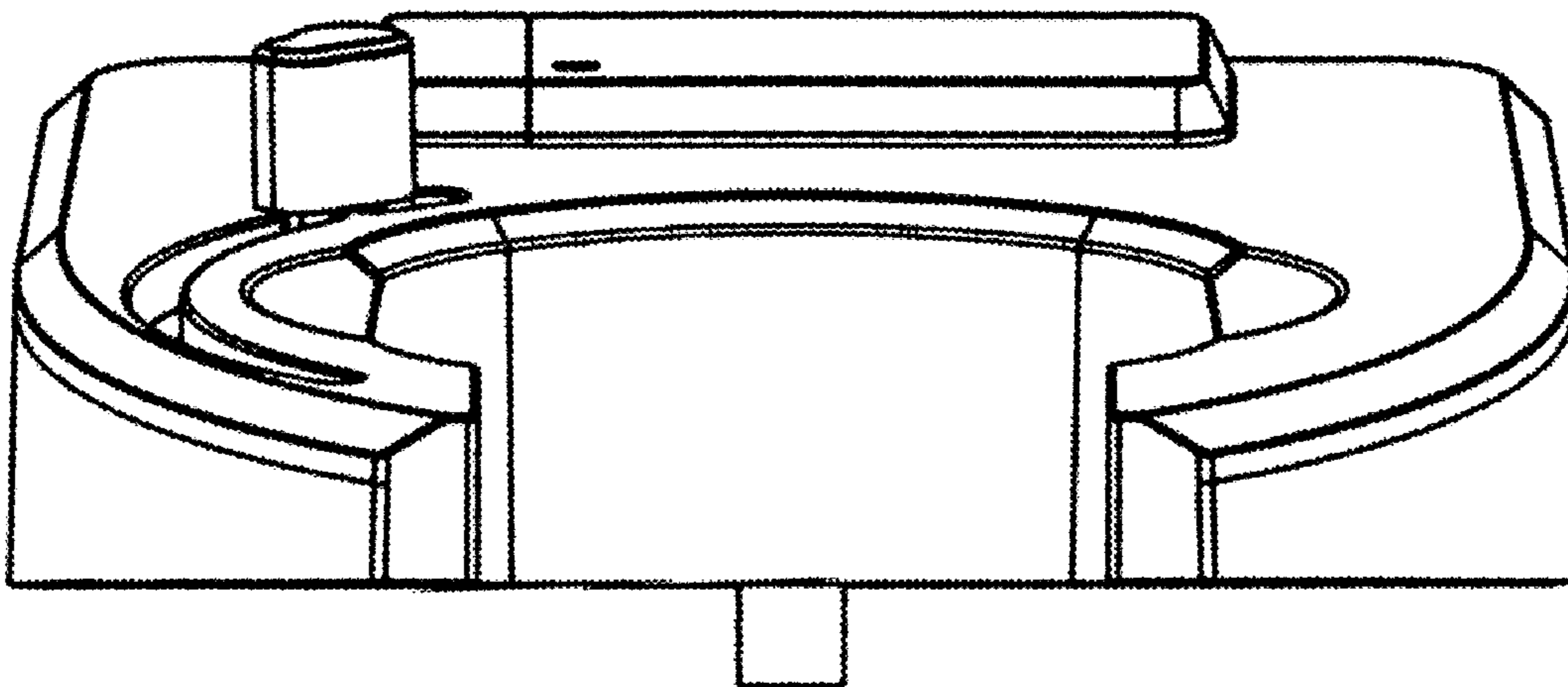
U.S. PATENT DOCUMENTS

D254,836 S *	4/1980	Tankel	D8/333
D296,867 S *	7/1988	Owen	D8/333
D332,043 S *	12/1992	Linhart	D8/333
D356,937 S *	4/1995	Hsiao	D8/333
D357,397 S *	4/1995	Kuo	D8/333
D362,171 S *	9/1995	Guerrero	D8/333
6,981,443 B2 *	1/2006	Tillaart	B65B 25/02
				100/13
D541,626 S *	5/2007	Mechalchuk	D8/330
D548,045 S *	8/2007	Heppner	D8/343
D576,864 S *	9/2008	Blomstrom	D8/343
D595,561 S *	7/2009	Simpson	D8/330
D626,400 S *	11/2010	Chestham	D8/333

DESCRIPTION

FIG. 1 is a front view of a bicycle intelligent lock, showing my new design;
FIG. 2 is a back plan view thereof;
FIG. 3 is a left elevation view thereof;
FIG. 4 is a right elevation view thereof.
FIG. 5 is a perspective view thereof;
FIG. 6 is a top plan view thereof; and,
FIG. 7 is a bottom plan view thereof.
The broken lines depict environment that forms no part of the claimed design.

1 Claim, 7 Drawing Sheets



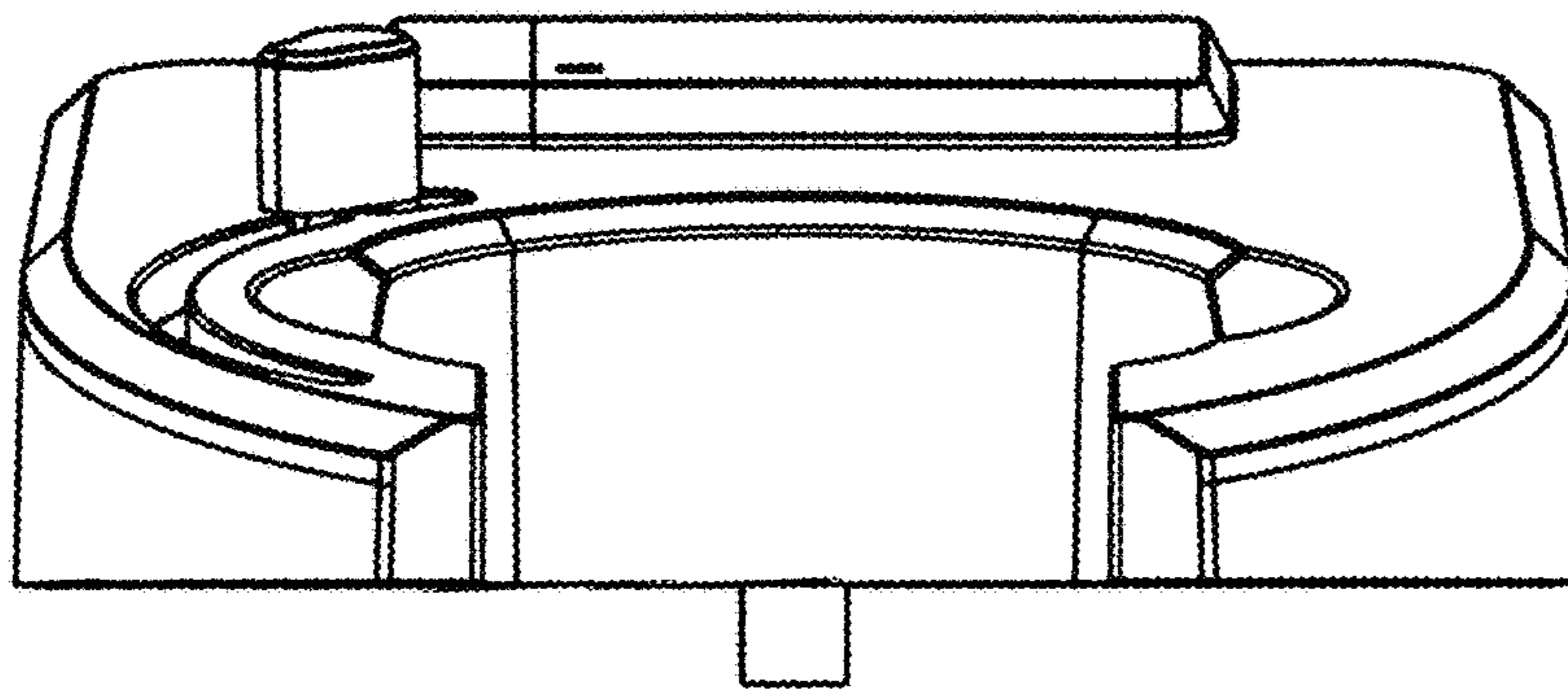


FIG. 1

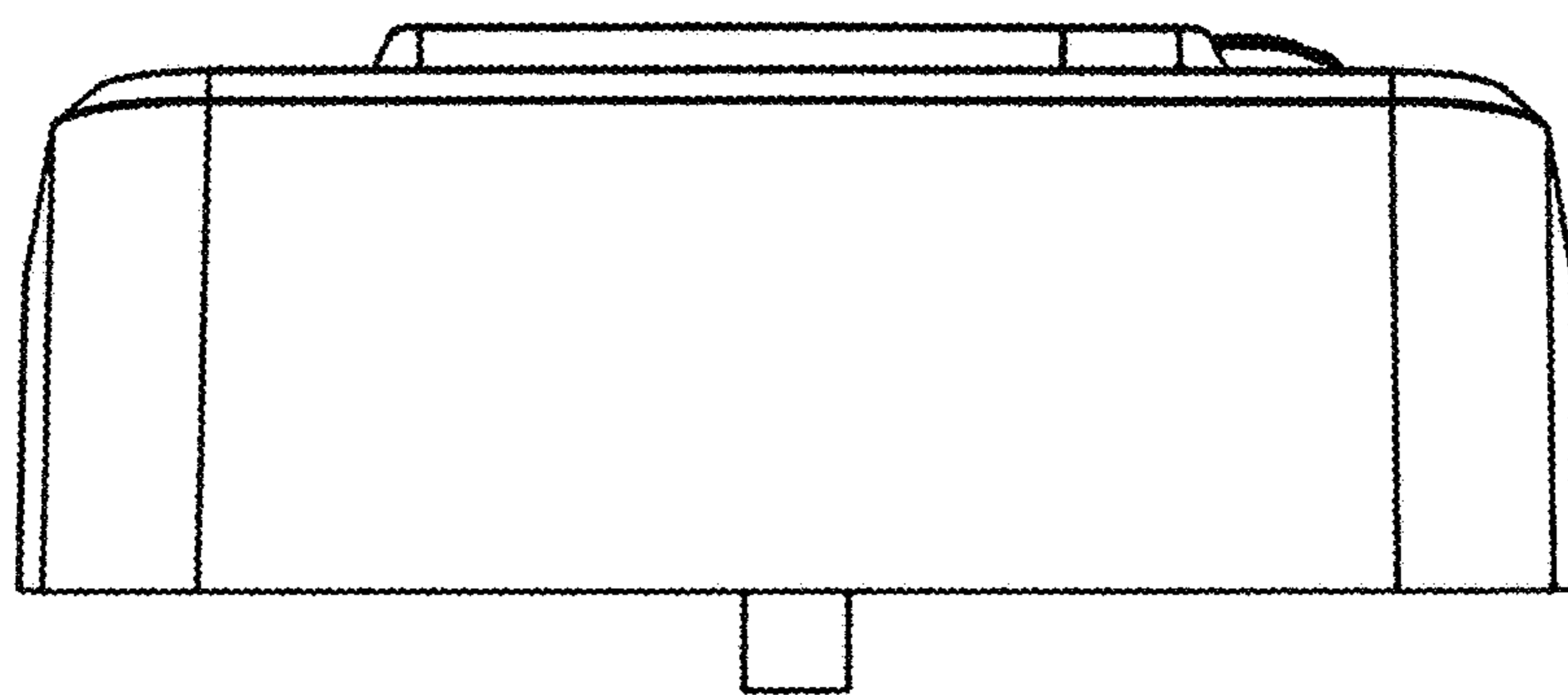


FIG. 2

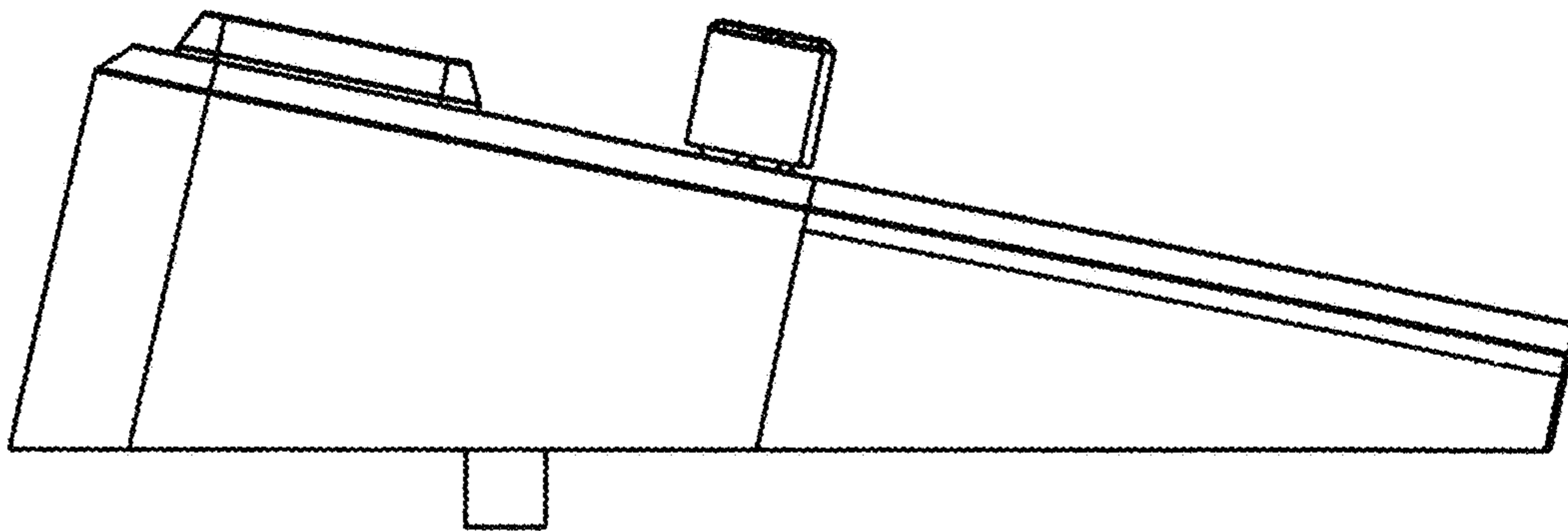


FIG. 3

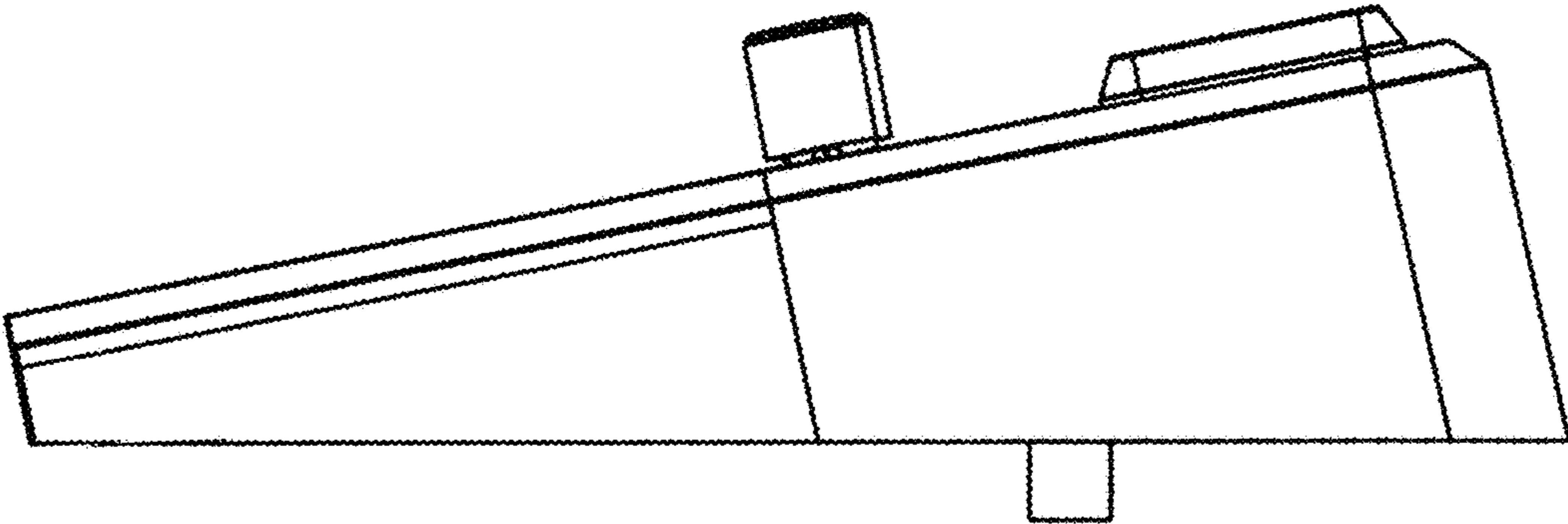


FIG. 4

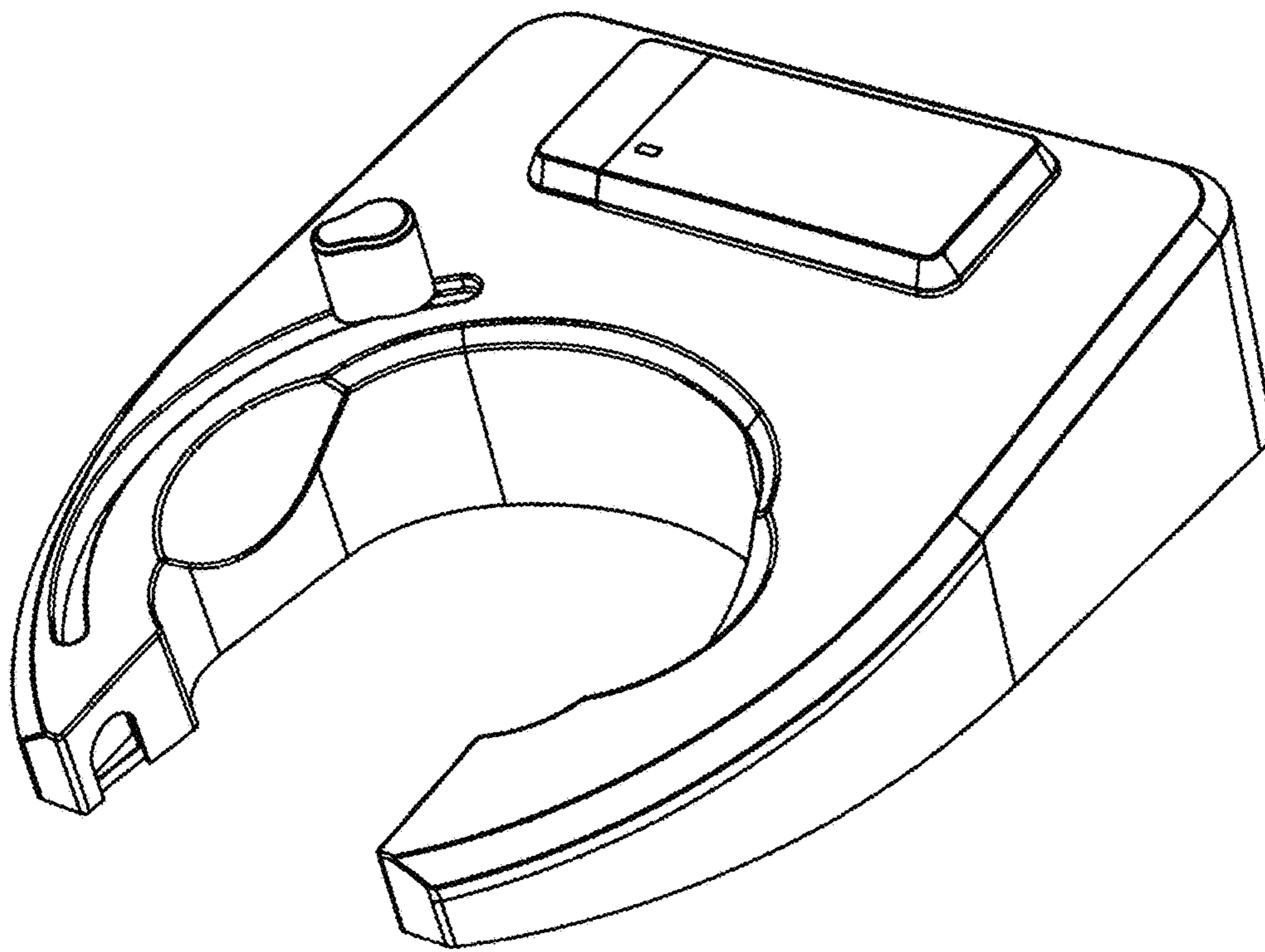


FIG. 5

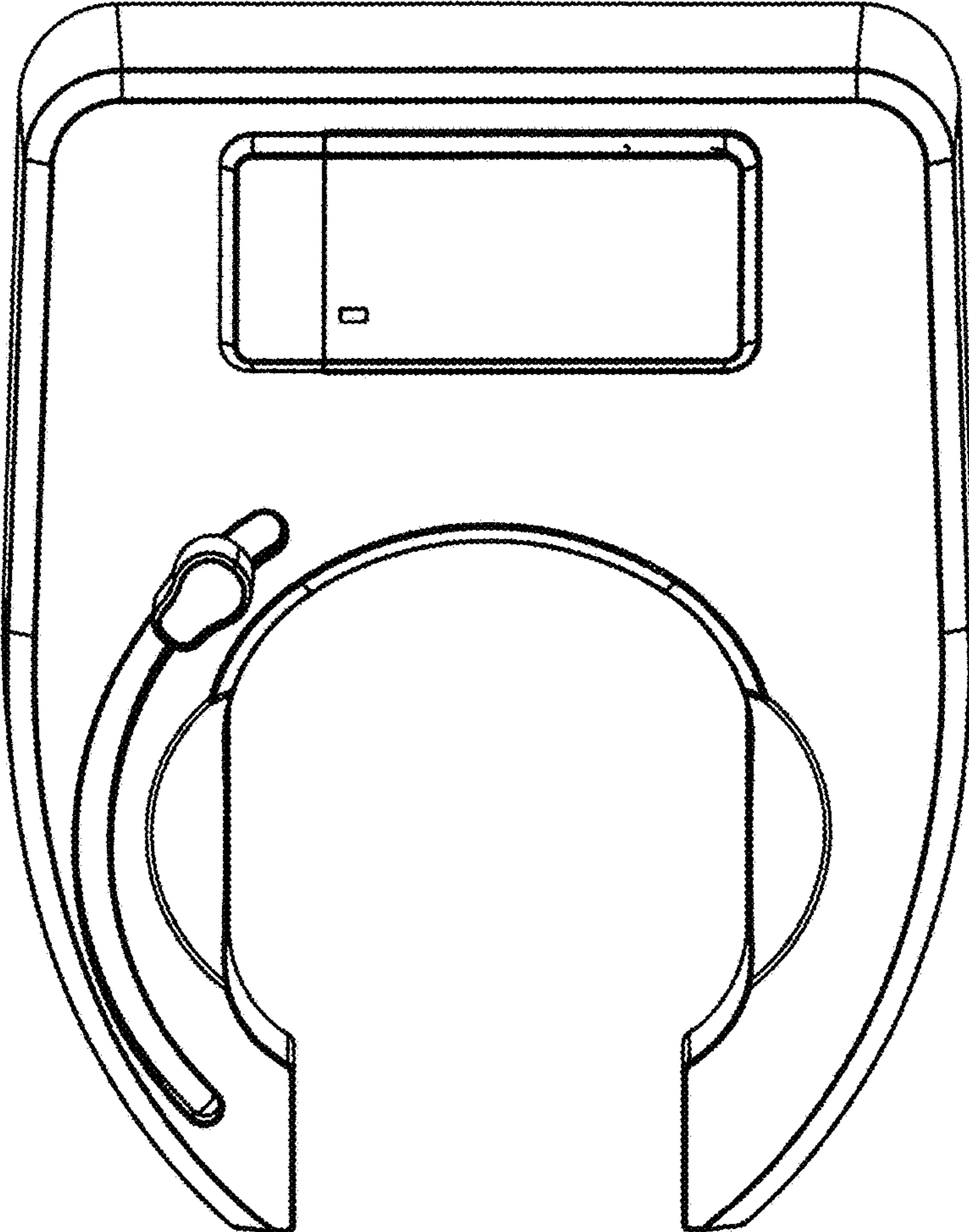


FIG.6

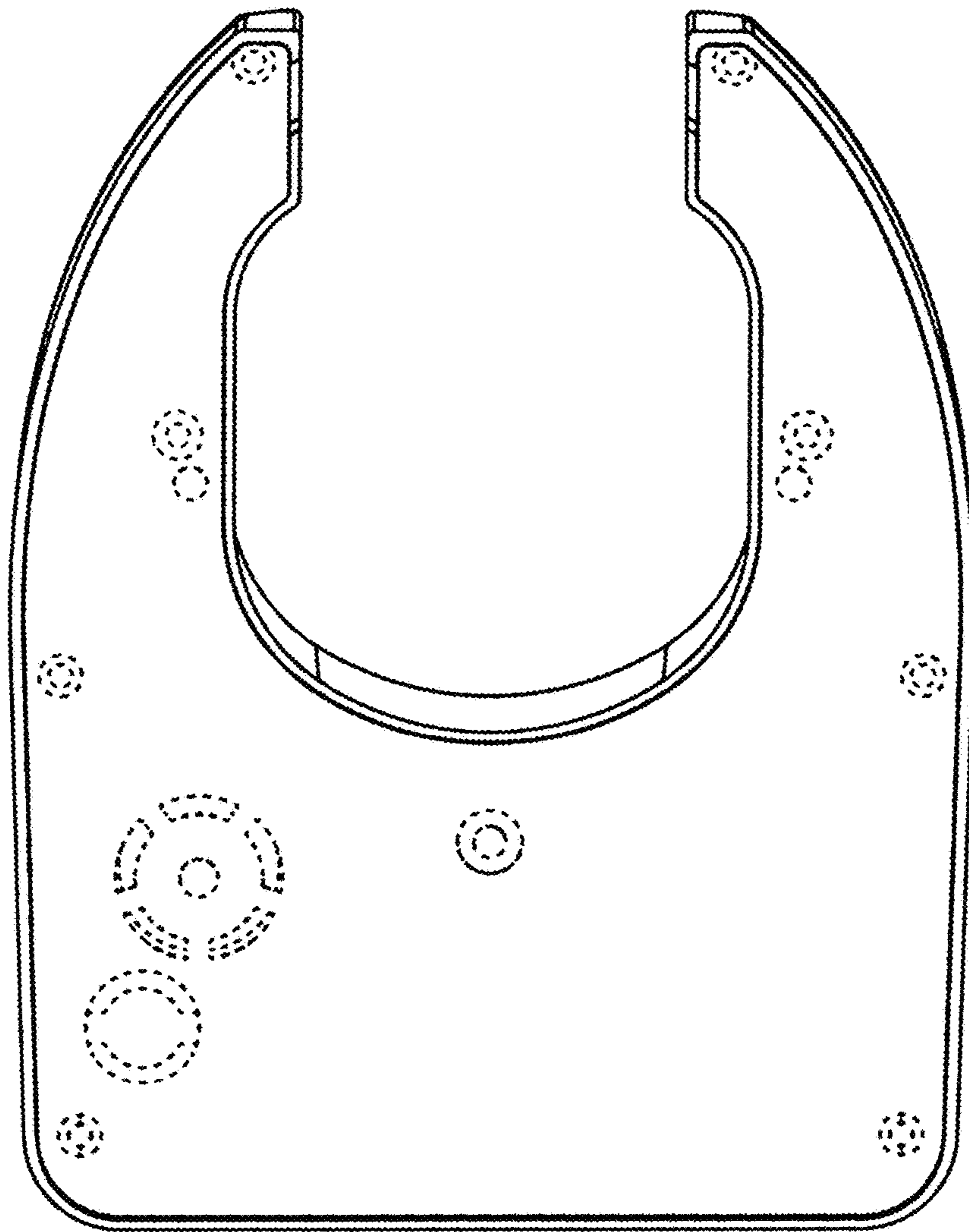


FIG. 7