



US00D836486S

(12) **United States Design Patent**  
**Wilson**

(10) **Patent No.:** **US D836,486 S**

(45) **Date of Patent:** **\*\* \*Dec. 25, 2018**

(54) **PLANT SUPPORT**

(71) Applicant: **Ricardo Wilson**, Lathrup Village, MI (US)

(72) Inventor: **Ricardo Wilson**, Lathrup Village, MI (US)

(\* ) Notice: This patent is subject to a terminal disclaimer.

(\*\*) Term: **15 Years**

(21) Appl. No.: **29/614,774**

(22) Filed: **Aug. 23, 2017**

**Related U.S. Application Data**

(63) Continuation of application No. 29/590,611, filed on Jan. 11, 2017, now Pat. No. Des. 826,768.

(51) **LOC (11) Cl.** ..... **11-02**

(52) **U.S. Cl.**  
USPC ..... **D11/152**

(58) **Field of Classification Search**  
USPC ..... D6/403-405, 556-558; D11/143-156, D11/164  
CPC . A01G 9/00; A01G 9/02; A01G 9/021; A01G 9/022; A01G 9/027; A01G 9/04; A01G 9/047; A01G 9/10; A01G 7/07; A01G 27/02; A01G 31/02; A01G 31/06  
See application file for complete search history.

(56) **References Cited**

**U.S. PATENT DOCUMENTS**

- 571,708 A \* 11/1896 Thompson ..... B65D 47/247 137/845
- 3,163,318 A \* 12/1964 Frank ..... B65D 83/40 220/780
- 3,188,771 A 6/1965 Ballai
- 3,480,182 A \* 11/1969 Rigor ..... B65D 83/049 141/321
- D217,732 S \* 6/1970 Chlystun ..... D7/391

- D231,416 S \* 4/1974 Goldring ..... D11/152
  - 3,868,787 A 3/1975 Edward
  - 4,068,761 A \* 1/1978 McCarthy ..... A47G 7/045 211/134
  - 4,143,105 A 3/1979 Hentschel
  - 4,218,415 A 8/1980 Biscaro
  - 4,262,701 A \* 4/1981 Beacom ..... F16L 55/1683 138/89
  - 5,171,390 A \* 12/1992 Travers ..... A01G 9/02 156/212
  - D341,779 S \* 11/1993 Lewis ..... D9/435
  - 5,311,991 A \* 5/1994 Weder ..... A47F 5/16 206/423
  - D359,294 S \* 6/1995 Szabo ..... D15/138
- (Continued)

**OTHER PUBLICATIONS**

Cloning Collars Inserts Premium Grade Foam . . . , CZ Garden Supply, review dated Feb. 22, 2014, Amazon.com.\*

*Primary Examiner* — Elizabeth A. Albert

(74) *Attorney, Agent, or Firm* — Mitchell Law PLLC; Matthew W. Mitchell

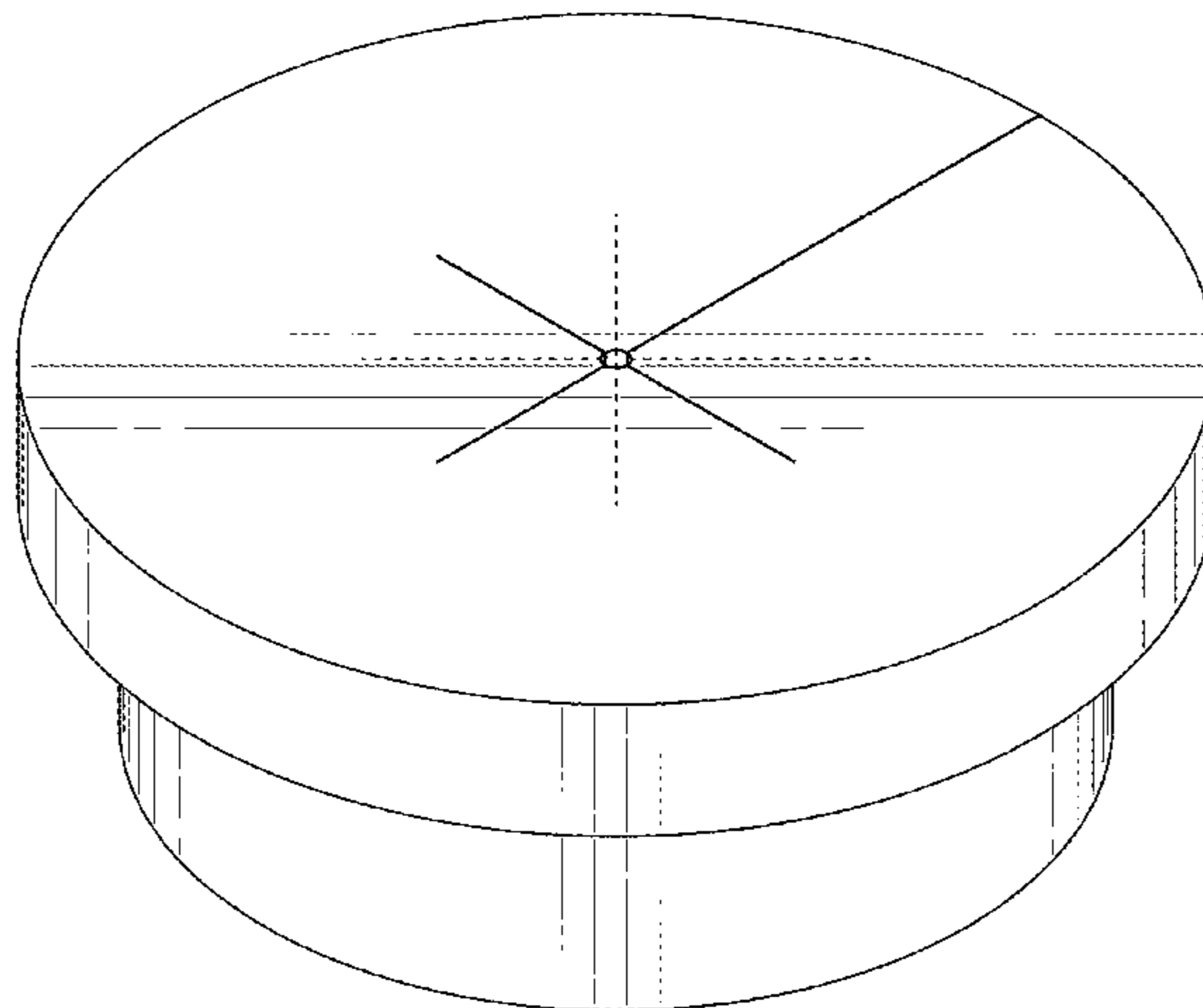
(57) **CLAIM**

The ornamental design for a plant support, as shown and described.

**DESCRIPTION**

FIG. 1 is a front isometric view of the plant support showing my new design;  
 FIG. 2 is a front elevation view thereof;  
 FIG. 3 is a side view thereof, as seen from the right side of FIG. 2;  
 FIG. 4 is a side view thereof, as seen from the left side of FIG. 2;  
 FIG. 5 is a rear view thereof; and,  
 FIG. 6 is a top plan view thereof.  
 The broken lines in the drawings illustrate portions of the plant support that form no part of the claimed design.

**1 Claim, 4 Drawing Sheets**



(56)

References Cited

U.S. PATENT DOCUMENTS

D359,970	S *	7/1995	Szabo	.....	D15/138
D397,233	S *	8/1998	Bassford	.....	D10/104.1
5,794,378	A *	8/1998	Beatrez	.....	A01G 13/0281
					47/32
D430,455	S *	9/2000	Pickens	.....	D7/392.1
D444,063	S *	6/2001	Buck	.....	D9/447
D459,094	S *	6/2002	Stone	.....	D6/309
D483,629	S *	12/2003	Markfelder	.....	D8/1
D563,220	S *	3/2008	Krivoshein	.....	D9/439
7,902,456	B2 *	3/2011	Witthoft	.....	H01B 11/1839
					174/102 R
D661,784	S *	6/2012	Joss	.....	D23/260
8,356,725	B2 *	1/2013	Kies	.....	A01G 9/02
					220/212
9,027,277	B2 *	5/2015	Castleberry	.....	A47G 7/06
					47/41.01
9,247,692	B2 *	2/2016	Hatcher	.....	A01G 9/02
D751,392	S *	3/2016	Wu	.....	D7/392.1
D804,262	S *	12/2017	Reed	.....	D8/1
2006/0112624	A1 *	6/2006	Bortman	.....	A47G 7/07
					47/41.12
2012/0090236	A1	4/2012	Orr		
2012/0159843	A1 *	6/2012	Whitcomb	.....	A01G 13/0281
					47/21.1
2013/0270398	A1 *	10/2013	Radermacher	.....	A47G 7/07
					248/27.8

\* cited by examiner

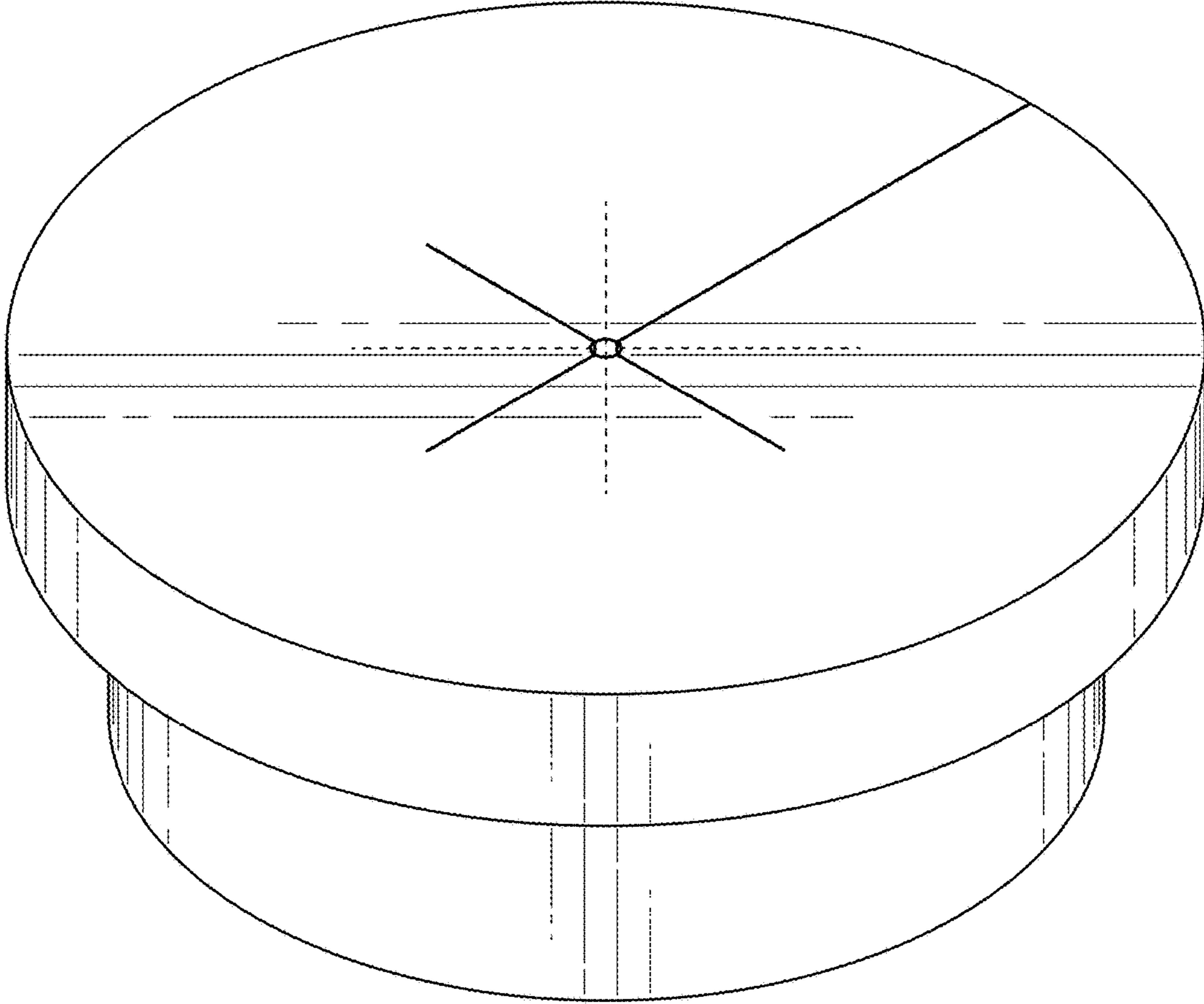


FIG. 1

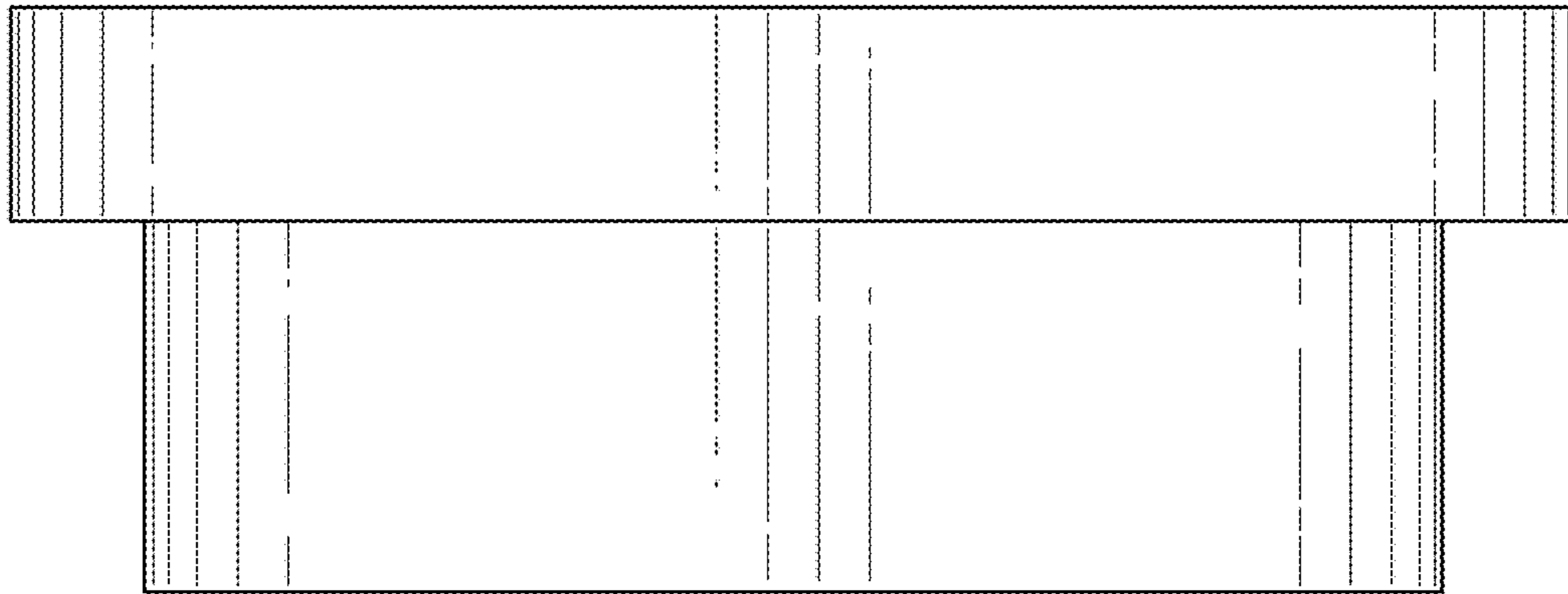


FIG. 2

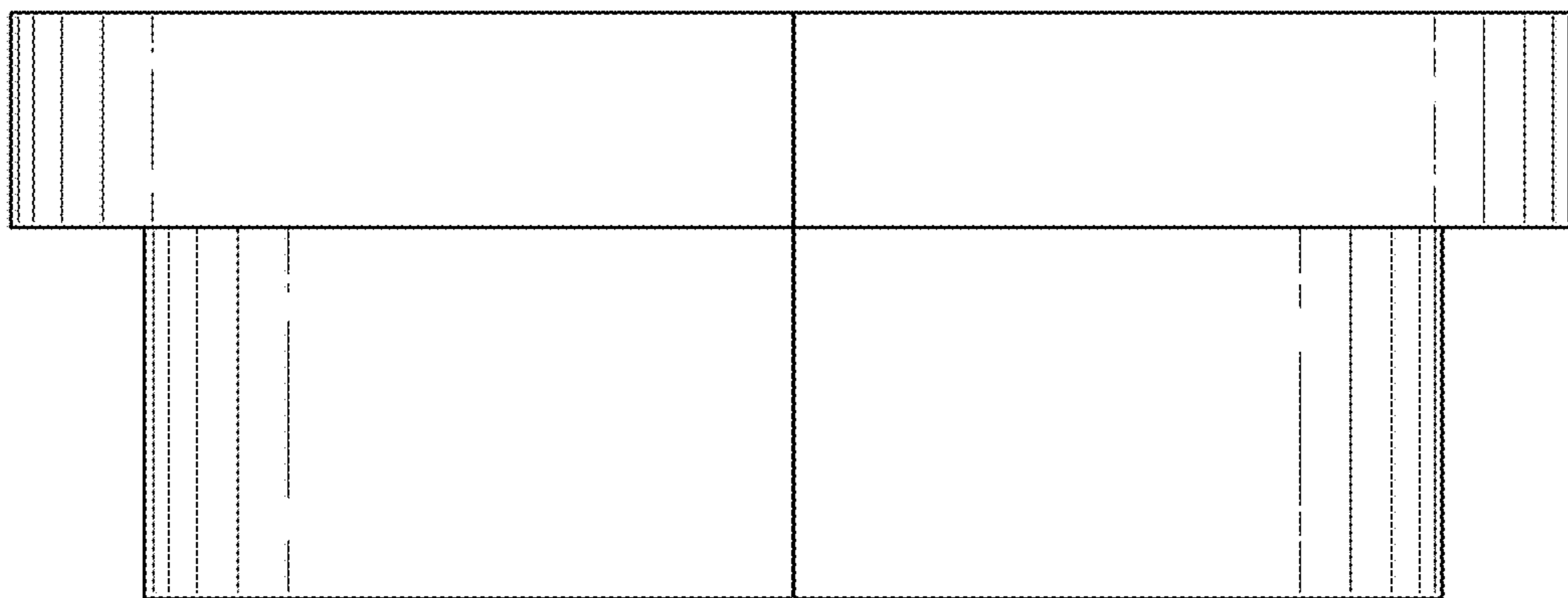


FIG. 3

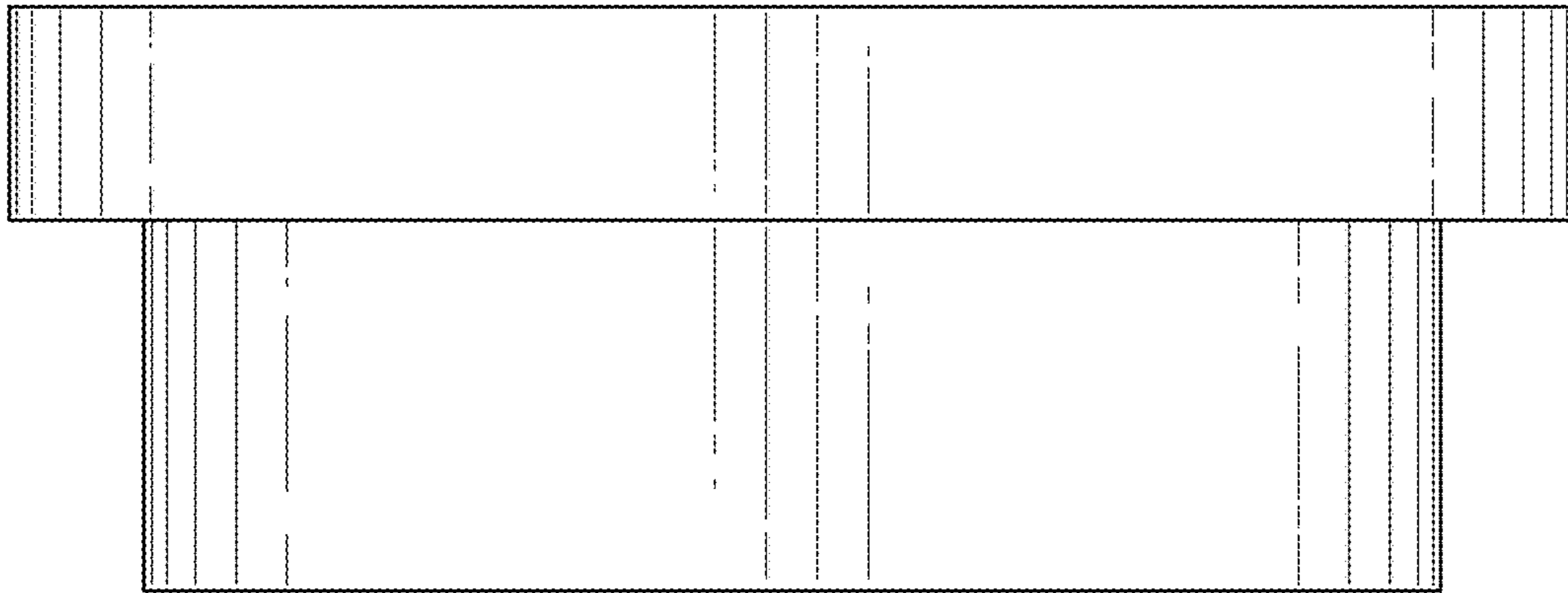


FIG. 4

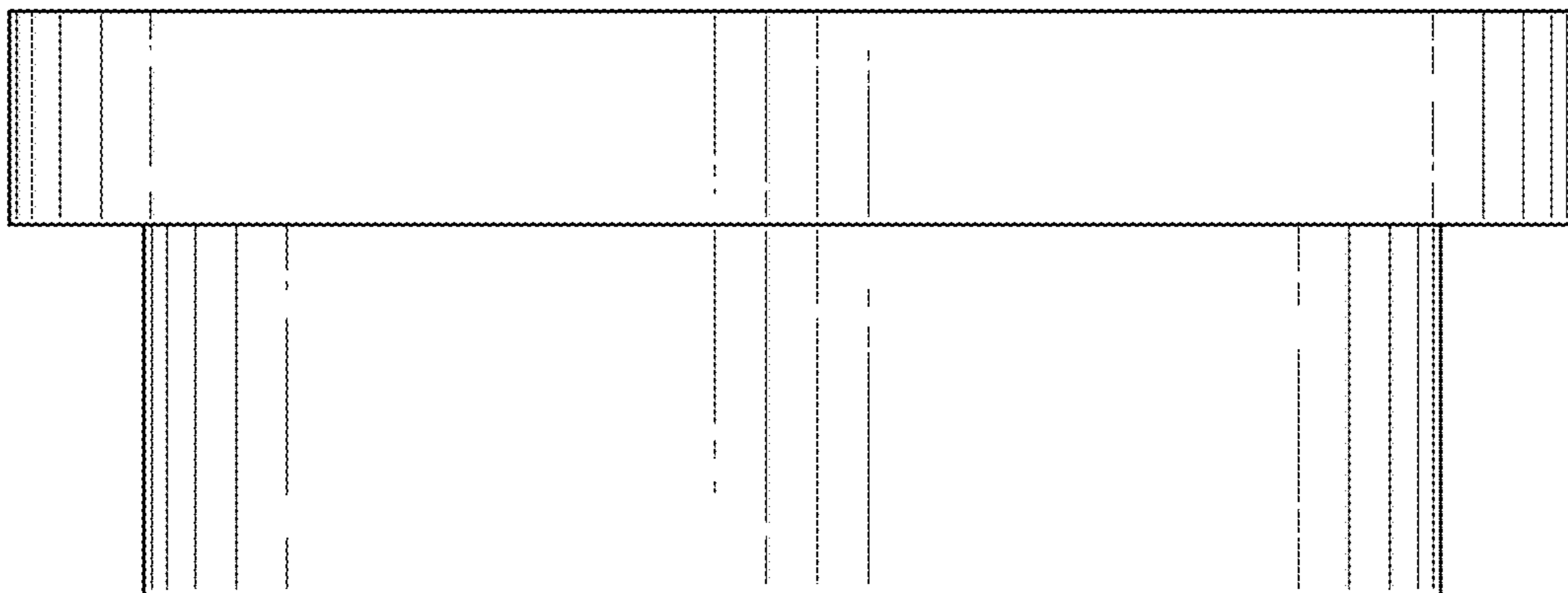


FIG. 5

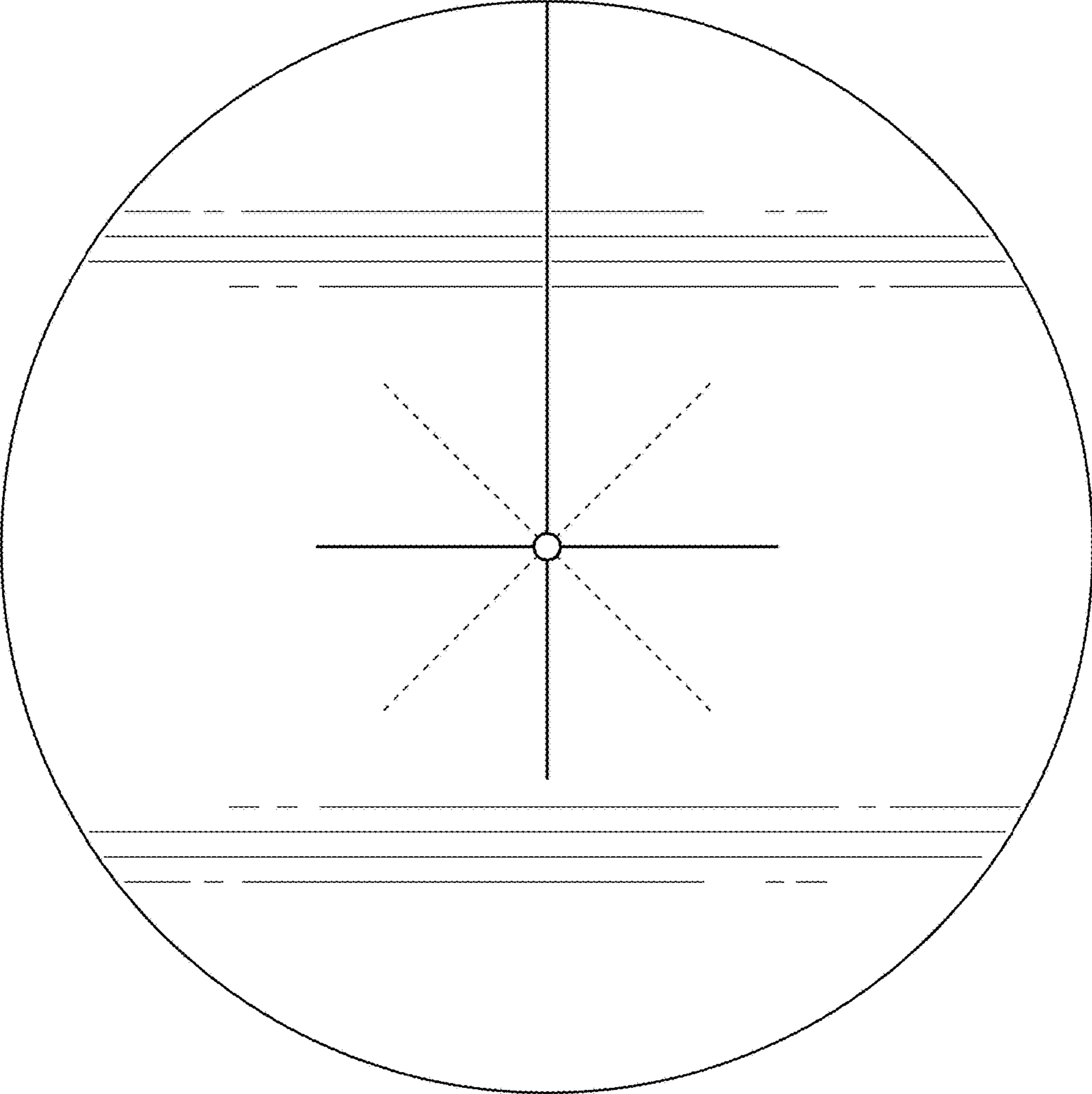


FIG. 6