

US00D836479S

(12) **United States Design Patent**
Williams et al.

(10) **Patent No.:** **US D836,479 S**
(45) **Date of Patent:** **** Dec. 25, 2018**

(54) **WEARABLE ORNAMENT DISPLAY**

(71) Applicants: **Daniel Williams**, Mill Creek, WA (US);
Amado Batour, Somerset, NJ (US);
Erik Haldi, Mill Creek, WA (US)

(72) Inventors: **Daniel Williams**, Mill Creek, WA (US);
Amado Batour, Somerset, NJ (US);
Erik Haldi, Mill Creek, WA (US)

(**) Term: **15 Years**

(21) Appl. No.: **29/570,329**

(22) Filed: **Jul. 7, 2016**

Related U.S. Application Data

(63) Continuation-in-part of application No. 15/149,668,
filed on May 9, 2016.

(51) **LOC (11) Cl.** **11-01**

(52) **U.S. Cl.**
USPC **D11/87**

(58) **Field of Classification Search**
USPC D11/86-94
CPC A44C 1/00; A44B 17/0076
See application file for complete search history.

(56) **References Cited**

U.S. PATENT DOCUMENTS

3,630,048 A * 12/1971 Masters A44C 7/003
24/108
3,735,447 A * 5/1973 Abraham A44B 9/16
24/114.05

3,942,273 A * 3/1976 Adams A44C 3/002
40/1.5
6,122,805 A * 9/2000 Haegley A44B 17/0082
24/114.05
6,257,021 B1 * 7/2001 Hinton A44C 7/003
24/705
7,966,755 B1 * 6/2011 Reeves G01C 17/04
24/303
8,114,100 B2 * 2/2012 Smith A61B 17/00234
24/706.4
10,022,216 B2 * 7/2018 Ricci A61F 2/0811

* cited by examiner

Primary Examiner — Zenia I Bennett

(74) *Attorney, Agent, or Firm* — Michelle E. Carey;
Telekta Law, P.S.

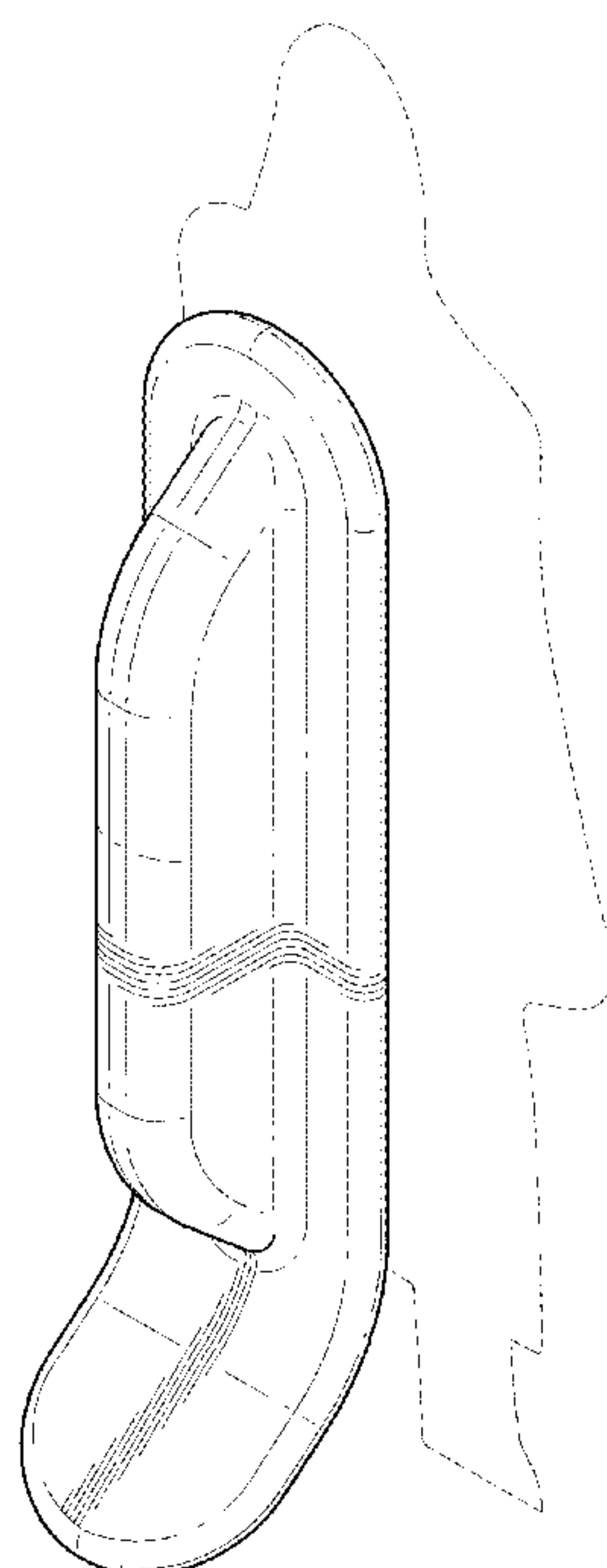
(57) **CLAIM**

The ornamental design for a wearable ornament display, as shown and described.

DESCRIPTION

FIG. 1 is a rear isometric view of the wearable ornament display, showing our new design;
FIG. 2 is a rear plan view of the wearable ornament display;
FIG. 3 is a side plan view thereof;
FIG. 4 is a front plan view thereof;
FIG. 5 is a top plan view thereof;
FIG. 6 is a bottom plan view thereof; and,
FIG. 7 is a rear isometric environmental view thereof.
The broken line showing of the wearable ornament is for the purpose of illustrating environmental structure and forms no part of the claimed design.

1 Claim, 4 Drawing Sheets



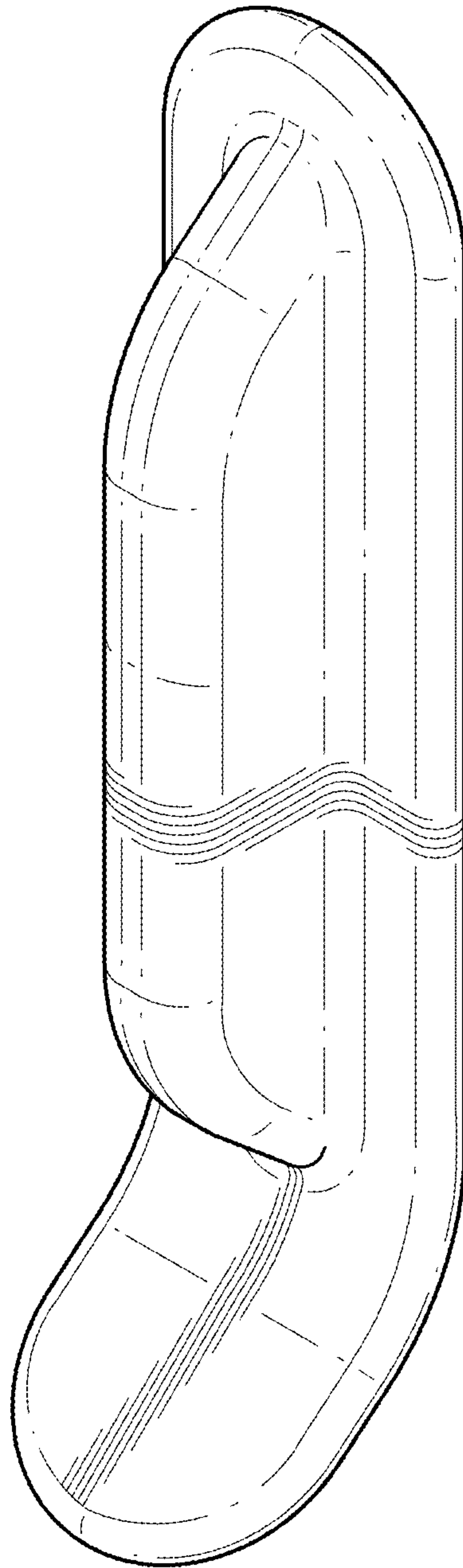


FIG. 1

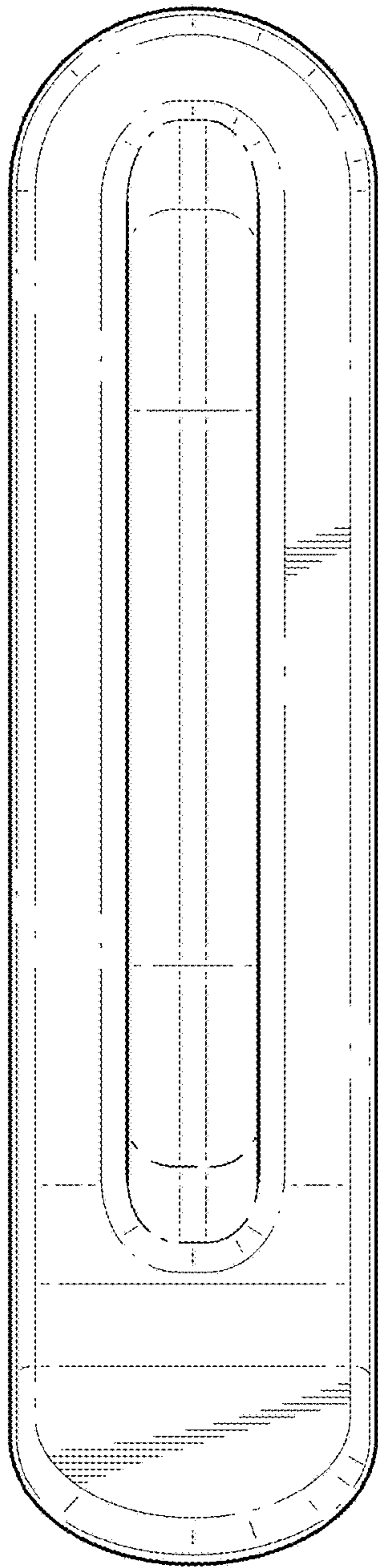


FIG. 2

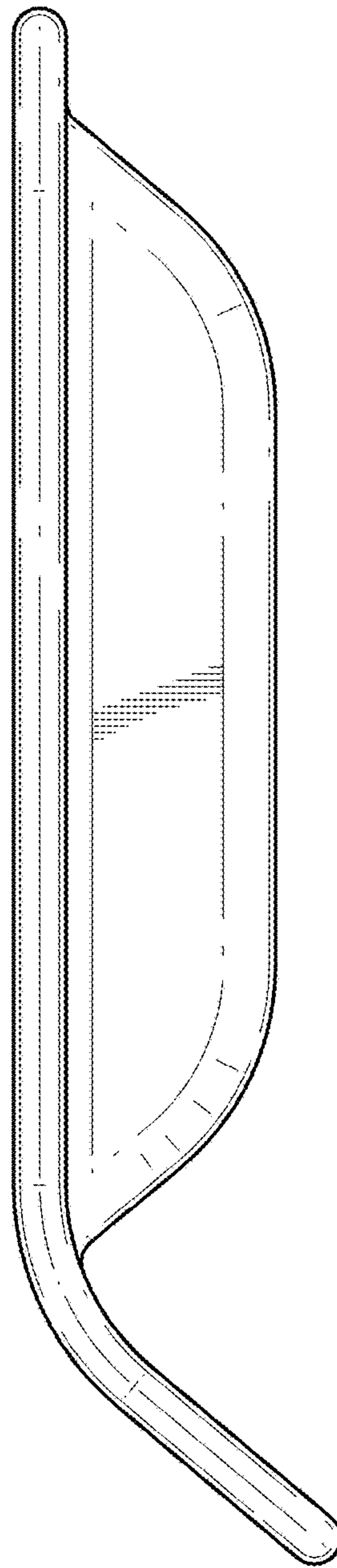


FIG. 3

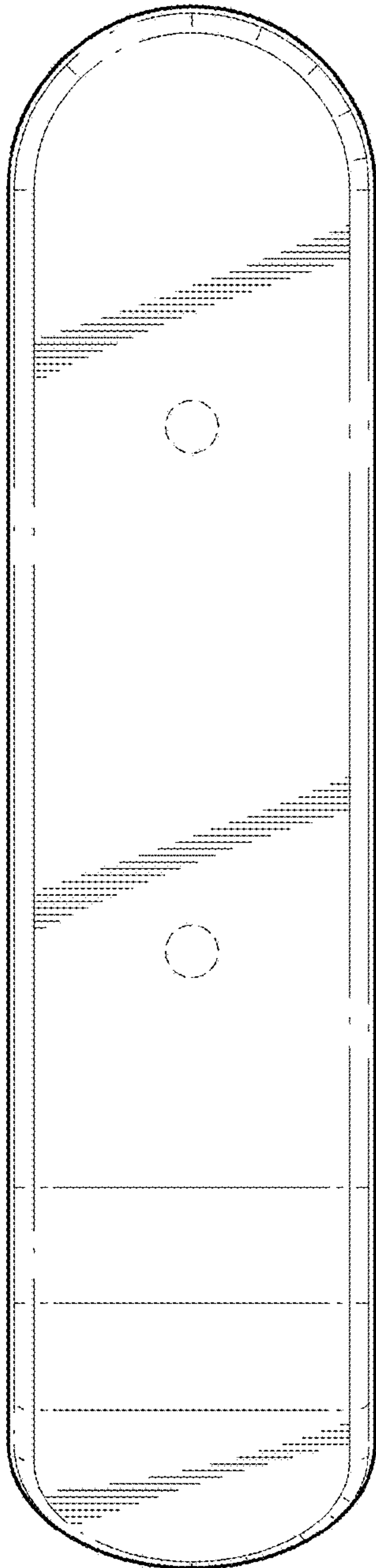


FIG. 4

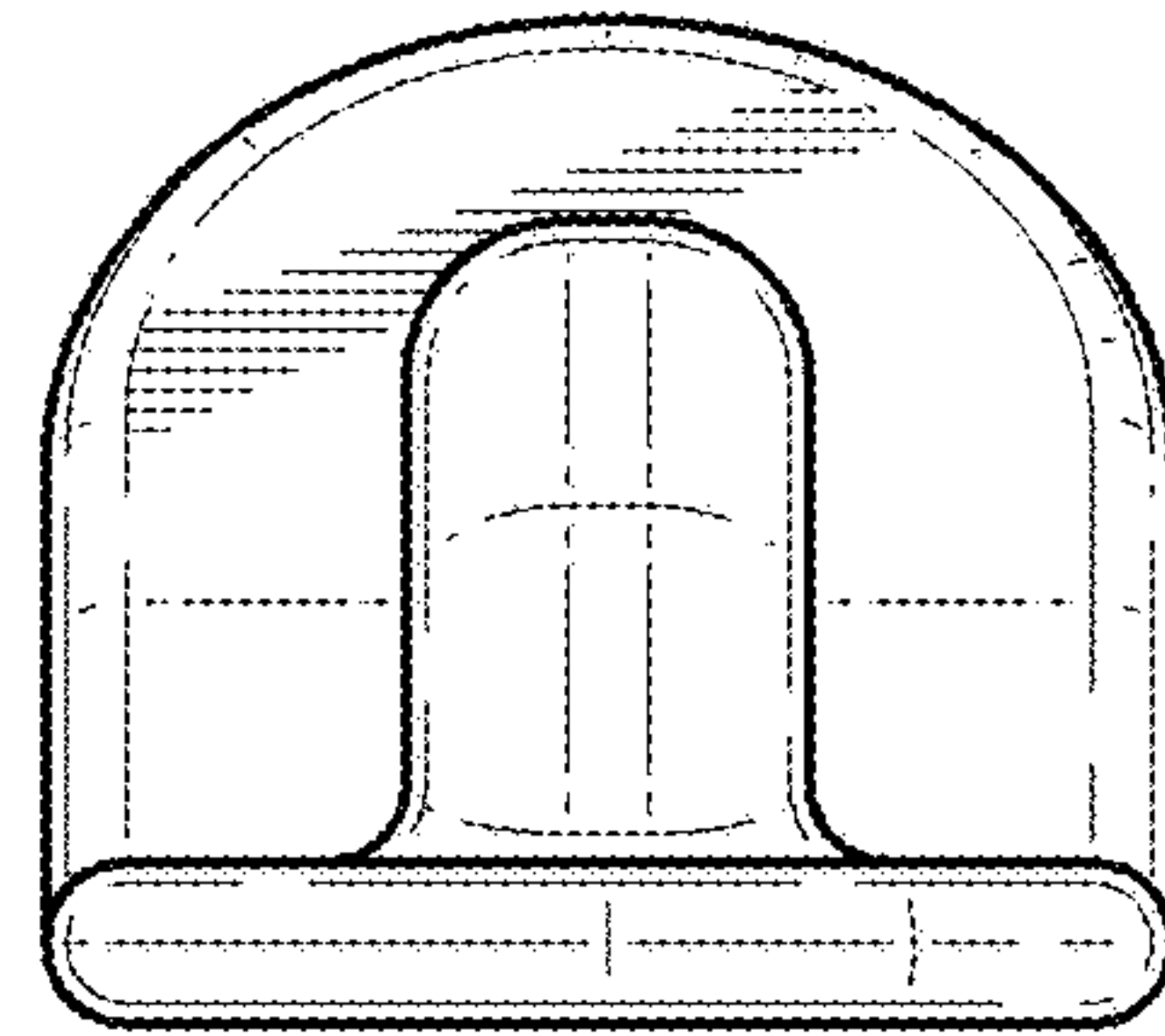


FIG. 5

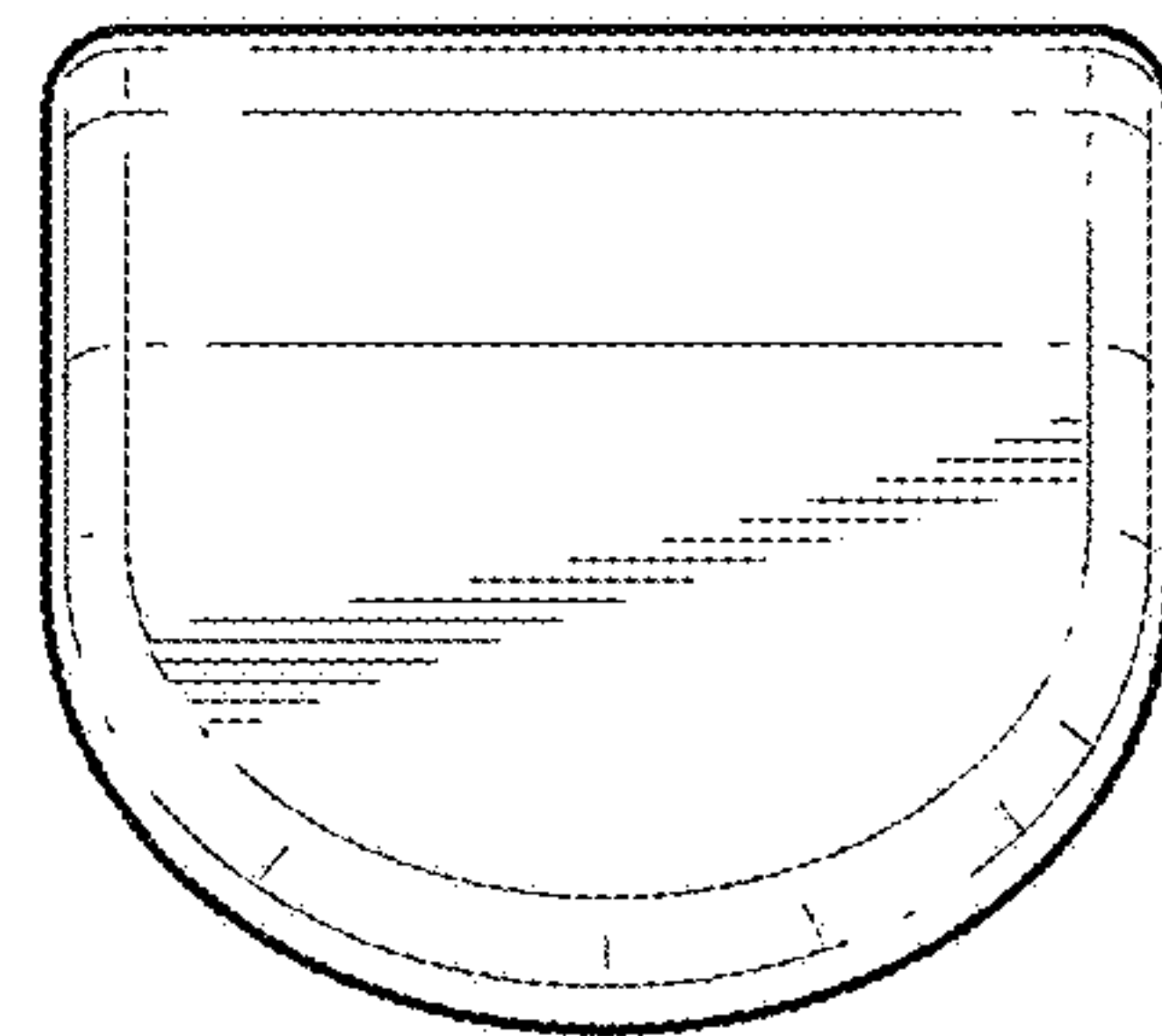


FIG. 6

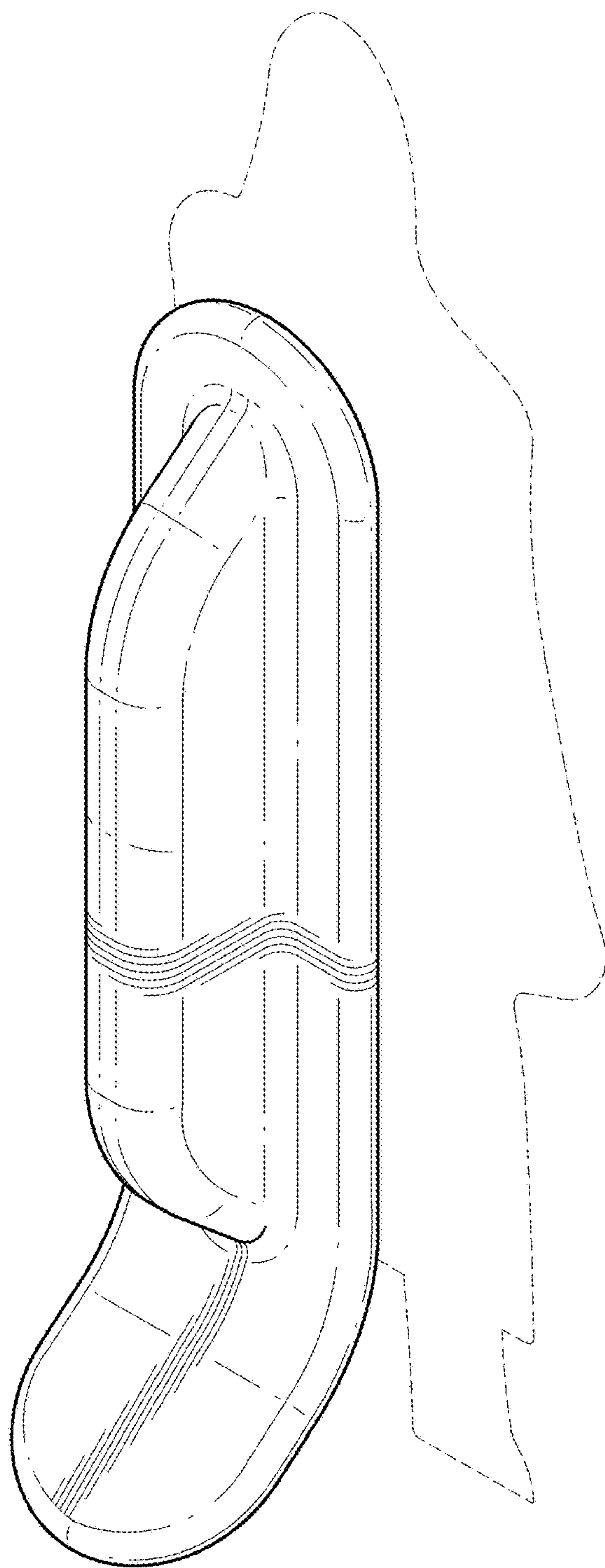


FIG. 7