



US00D836477S

(12) **United States Design Patent** (10) **Patent No.:** **US D836,477 S**
Peng (45) **Date of Patent:** **** Dec. 25, 2018**

(54) **BAND**
(71) Applicant: **Cong Peng**, Guangdong (CN)
(72) Inventor: **Cong Peng**, Guangdong (CN)
(**) Term: **15 Years**
(21) Appl. No.: **29/598,789**
(22) Filed: **Mar. 29, 2017**
(51) **LOC (11) Cl.** **11-01**
(52) **U.S. Cl.**
USPC **D11/3**
(58) **Field of Classification Search**
USPC D11/1-13, 86, 93, 94; D14/344;
D10/30-32, 38, 40; D3/201, 214, 215
CPC A44C 5/00; A44C 5/0053; A44C 5/0061;
A44C 5/0069; A44C 5/0076; A44C 5/02;
A44C 5/022; A44C 5/025; A44C 5/027;
A44C 5/08; A44C 5/10; A44C 5/102;
A44C 5/105; A44C 5/107; A44C 13/00;
A44C 11/00; A44C 11/002; A44C 11/005;
A44C 11/007; G06F 1/163; G09F 3/005
See application file for complete search history.

(56) **References Cited**

U.S. PATENT DOCUMENTS

D254,964 S * 5/1980 Hofman D11/3
4,386,795 A * 6/1983 Charles G09F 3/005
283/75
D285,422 S * 9/1986 Grimes D10/32
D718,171 S * 11/2014 Fakesch D11/3
D740,693 S * 10/2015 Carmichael D10/32
D750,622 S * 3/2016 Chen D10/38
D756,832 S * 5/2016 Riddiford D11/3

9,501,044 B2 * 11/2016 Jackson G06F 1/163
D793,269 S * 8/2017 Magniez D11/3
D793,270 S * 8/2017 Riddiford D11/3
D795,120 S * 8/2017 Bayley D11/3
D795,731 S * 8/2017 Bayley D11/3
D799,990 S * 10/2017 Behling D10/38
D800,109 S * 10/2017 Rouillac D14/344
2012/0168471 A1 * 7/2012 Wilson G04B 37/1486
224/152
2014/0083133 A1 * 3/2014 Lee A44C 5/14
63/3.1
2015/0105671 A1 * 4/2015 Shibuya G04B 37/1486
600/479

* cited by examiner

Primary Examiner — Cynthia Ramirez
Assistant Examiner — L. Martinez-Rivera

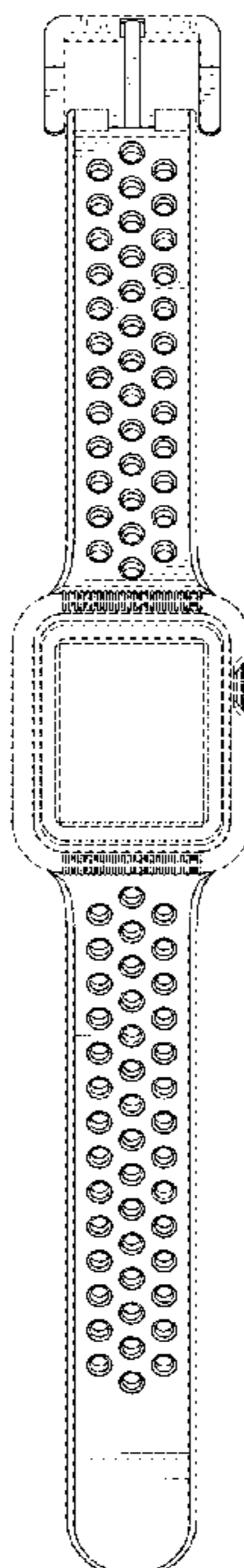
(57) **CLAIM**

The ornamental design for a band, as shown and described.

DESCRIPTION

FIG. 1 is a front elevational view of a band showing my new design;
FIG. 2 is a rear elevational view thereof;
FIG. 3 is a left side view thereof;
FIG. 4 is a right side view thereof;
FIG. 5 is a top plan view in enlarged scale thereof;
FIG. 6 is a bottom plan view in enlarged scale thereof;
FIG. 7 is a perspective view thereof;
FIG. 8 is a second perspective view thereof;
FIG. 9 is a third perspective view thereof; and,
FIG. 10 is an enlarged view of portion 10 shown in FIG. 8.
The broken lines shown in the figures depict environmental subject matter only and form no part of the claimed design.

1 Claim, 10 Drawing Sheets



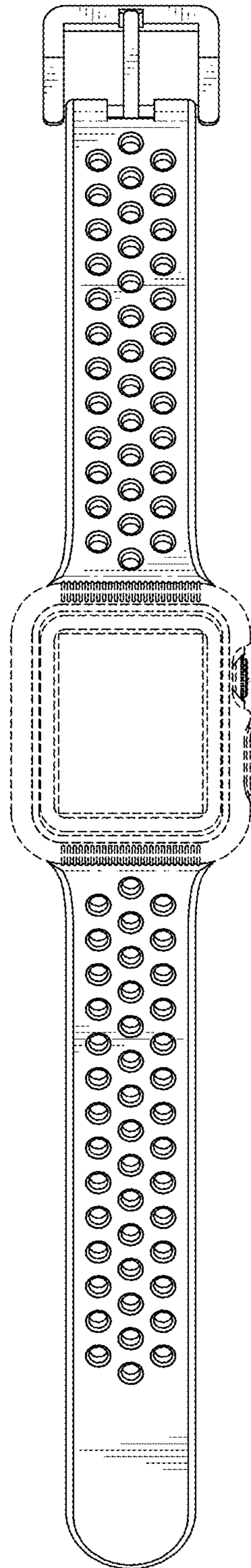


FIG. 1

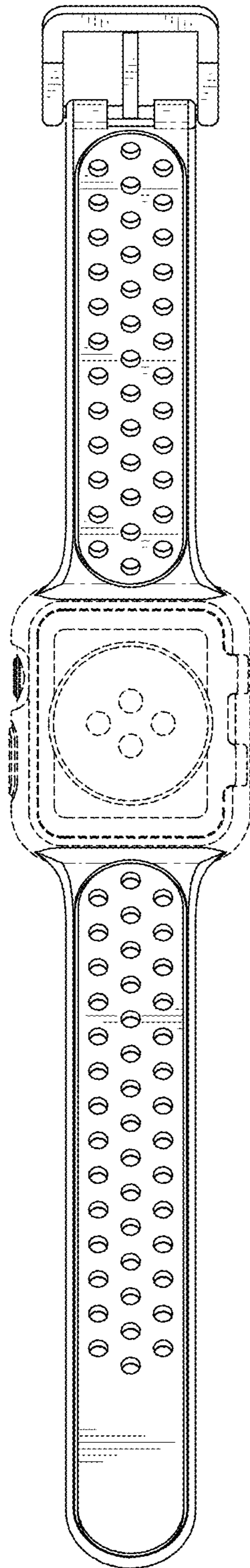


FIG. 2

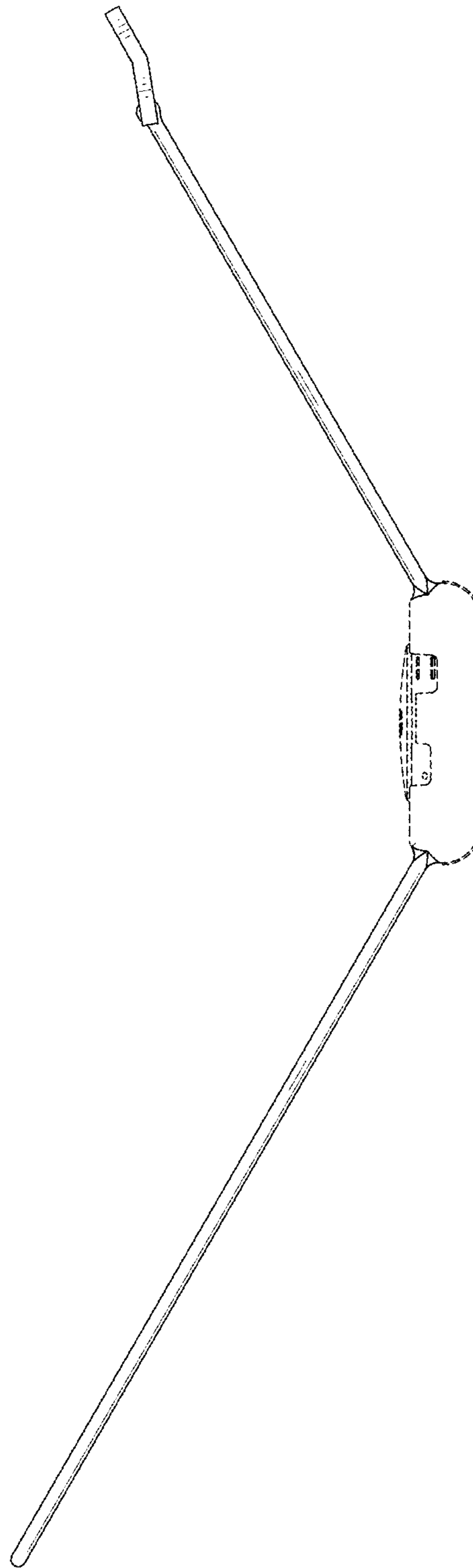


FIG. 3

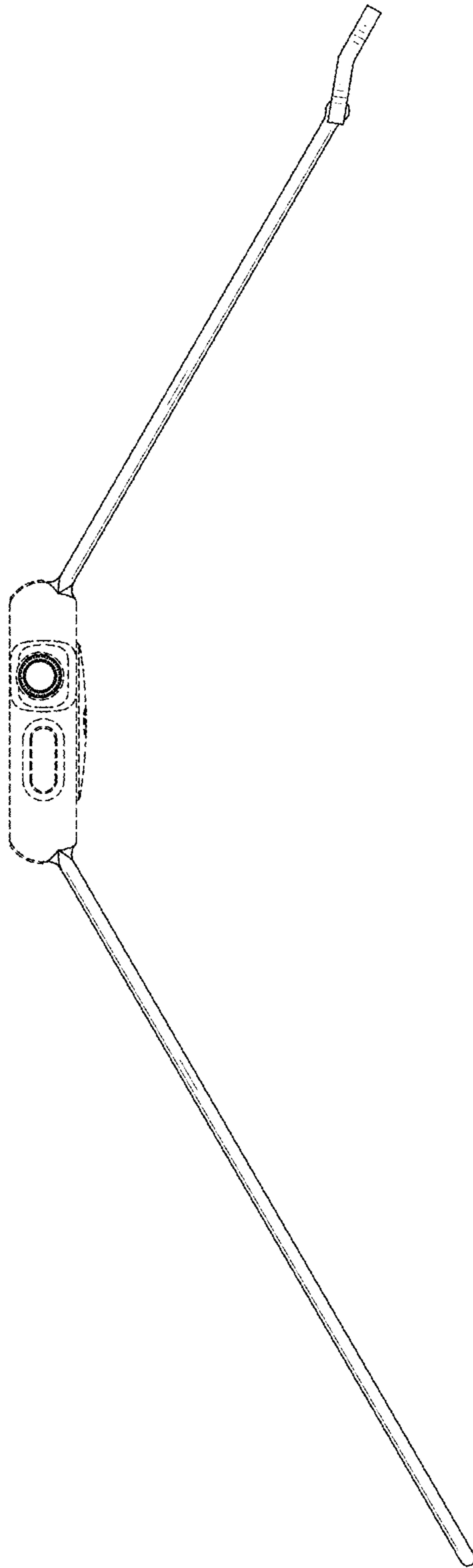


FIG. 4

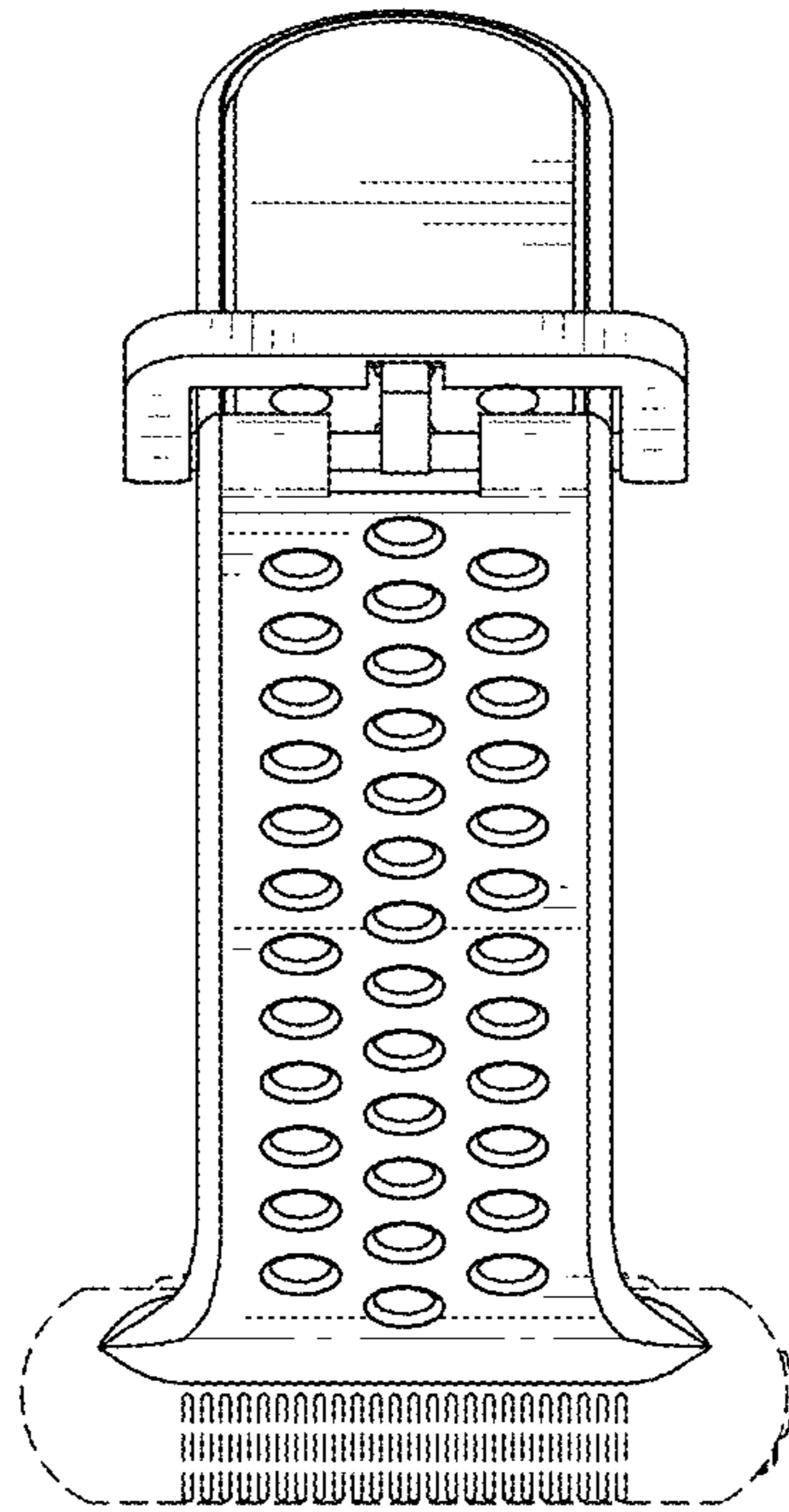


FIG. 5

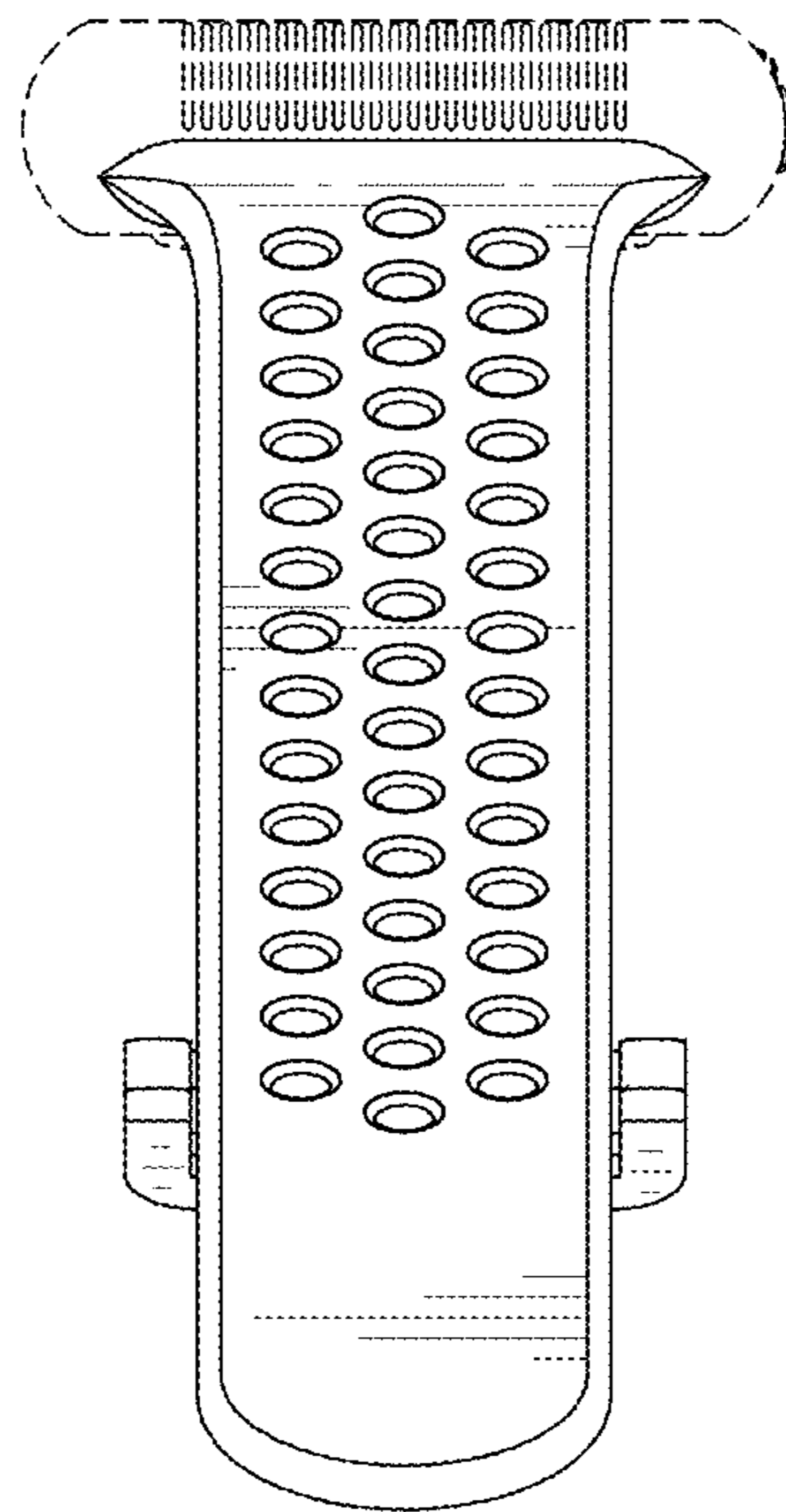


FIG. 6

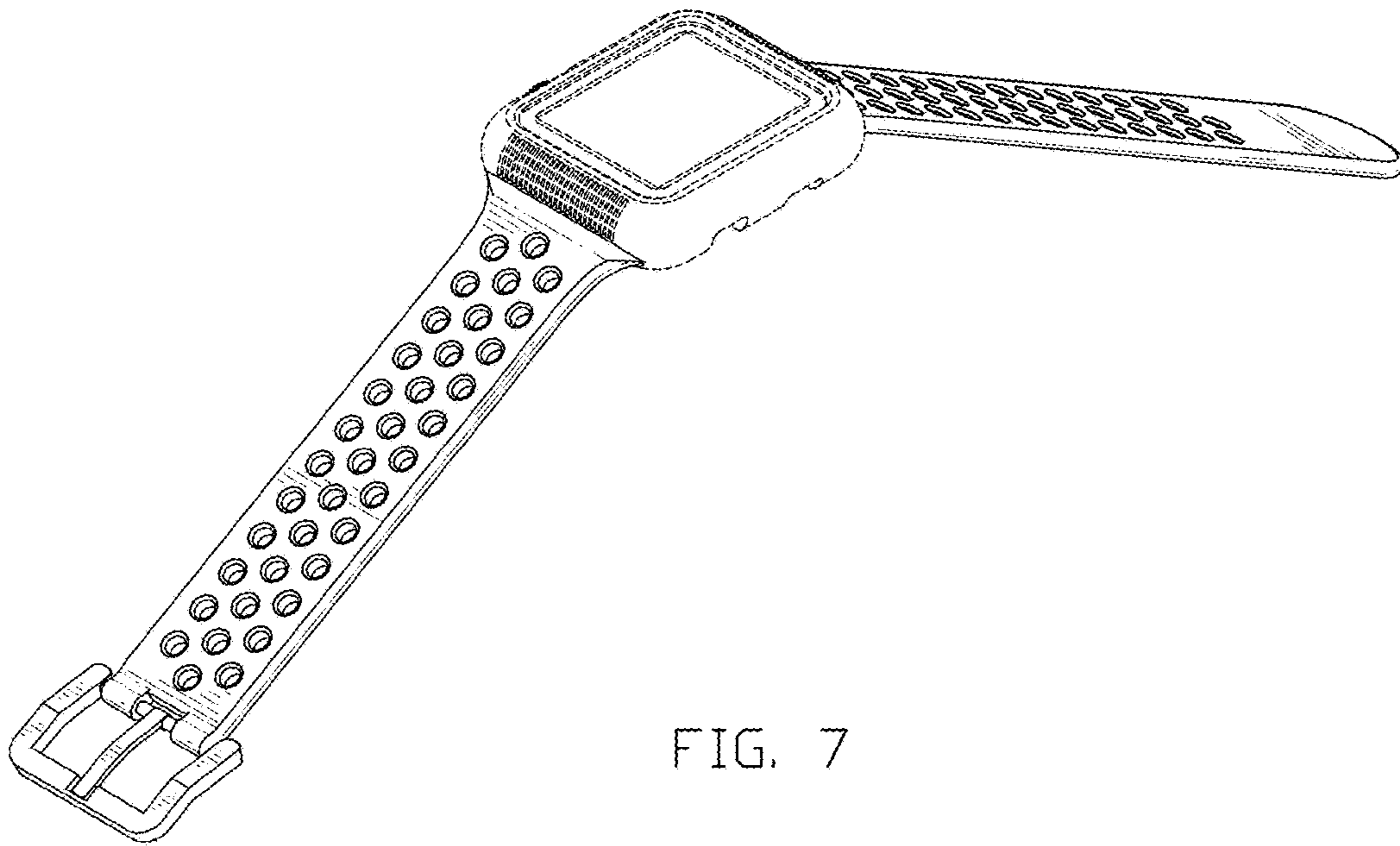


FIG. 7

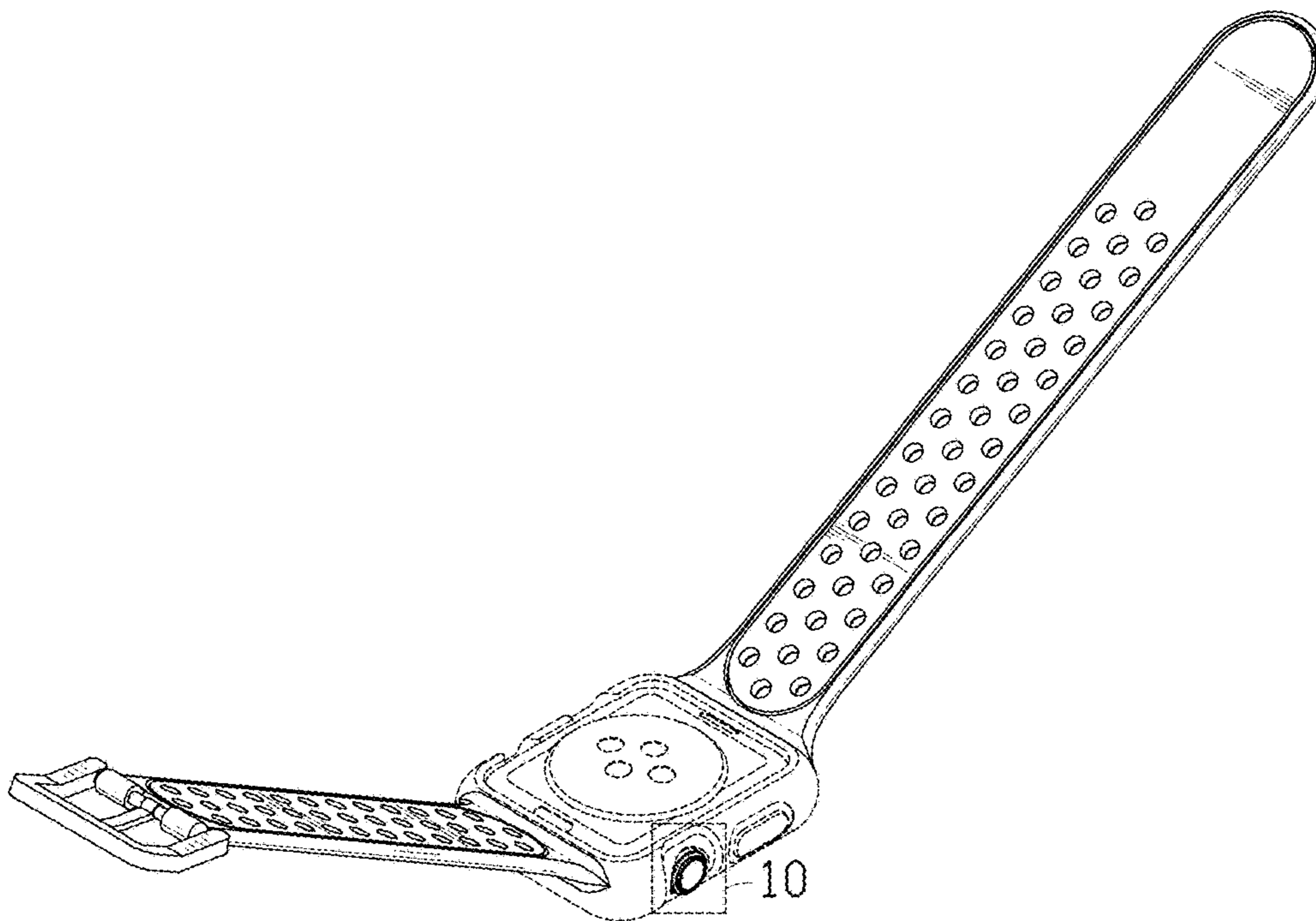


FIG. 8

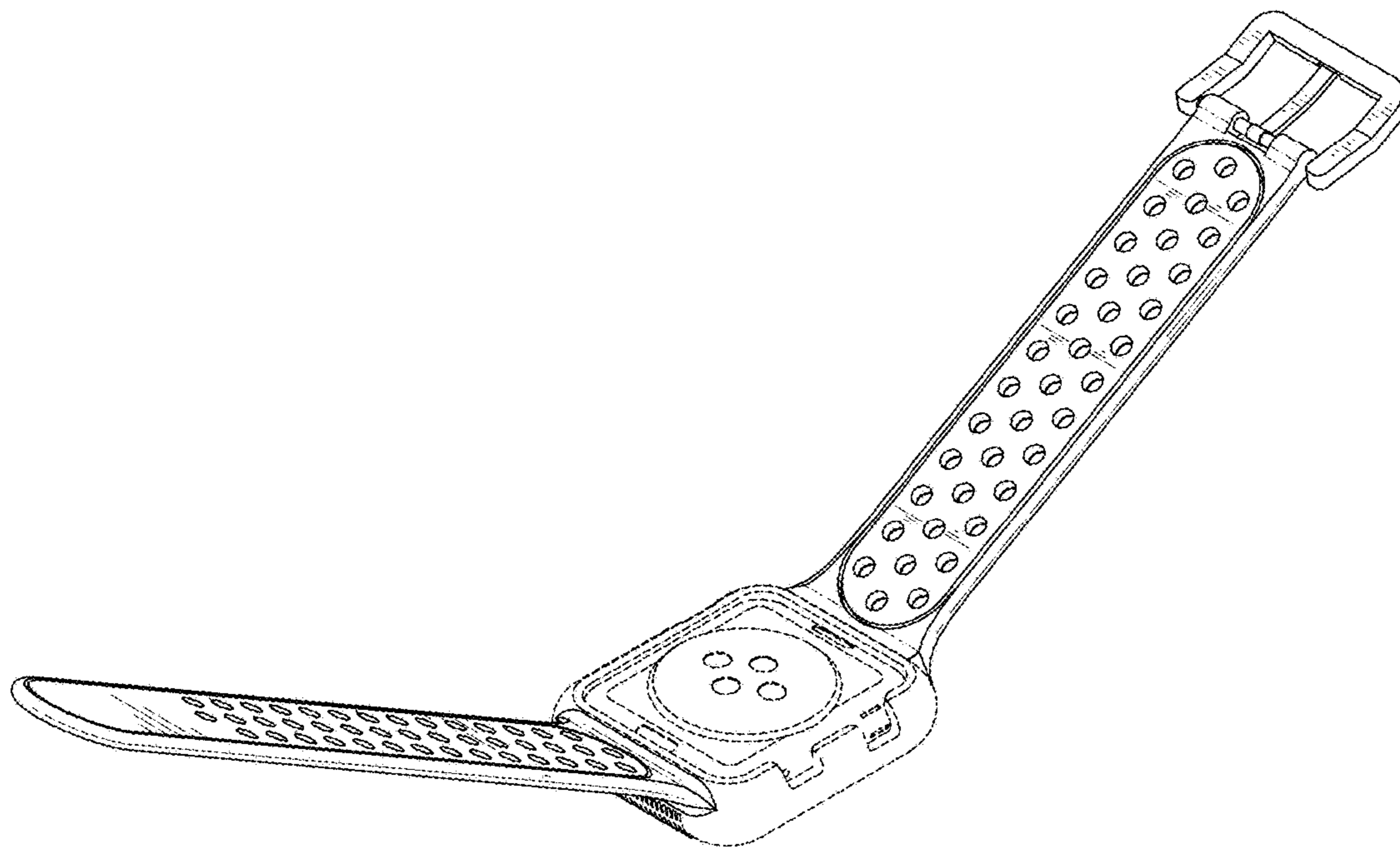


FIG. 9

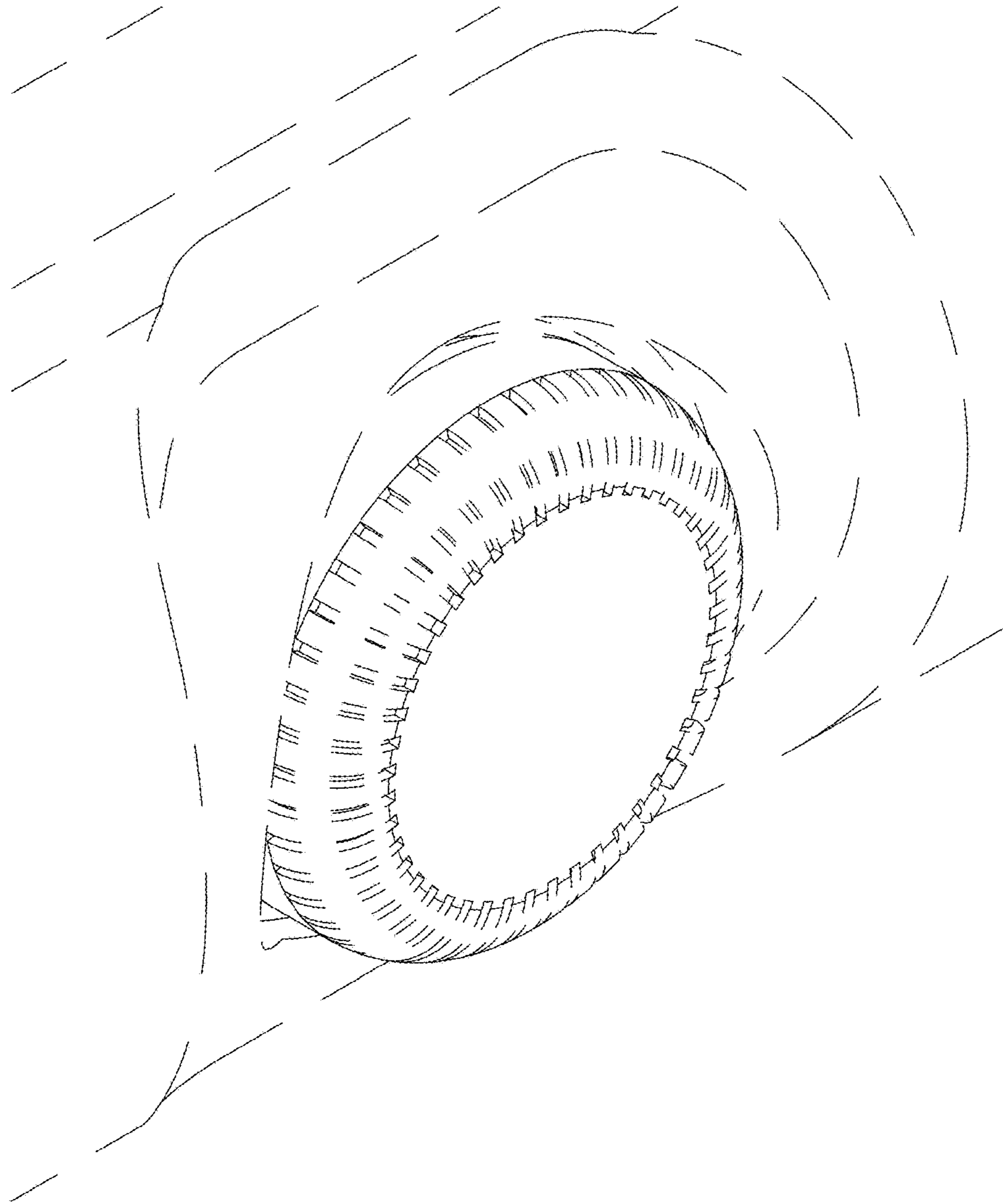


FIG. 10