



US00D836474S

(12) **United States Design Patent**
Cannell et al.

(10) **Patent No.:** **US D836,474 S**

(45) **Date of Patent:** **** Dec. 25, 2018**

(54) **BEACON HOUSING**

(71) Applicant: **General Electric Company,**
Schenectady, NY (US)

(72) Inventors: **Matthew James Cannell,** Glen Allen,
VA (US); **David Nguyen,** Morgan Hill,
CA (US); **Edward Geiger,** San Martin,
CA (US); **Richard Woodburn,**
Cupertino, CA (US)

(73) Assignees: **General Electric Company,**
Schenectady, NY (US); **ZIH CORP.,**
Lincolnshire, IL (US)

(**) Term: **15 Years**

(21) Appl. No.: **29/599,799**

(22) Filed: **Apr. 6, 2017**

(51) **LOC (11) Cl.** **10-05**

(52) **U.S. Cl.**
USPC **D10/104.1**

(58) **Field of Classification Search**

USPC D10/65, 70, 104.1, 106.1, 106.9, 106.91,
D10/106.92, 106.93, 121; D14/137, 230,
D14/496

CPC G08B 21/00; G08B 21/0261; G08B
21/0275; G08B 13/14; G08B 13/2434;
G09F 3/08

See application file for complete search history.

(56) **References Cited**

U.S. PATENT DOCUMENTS

D373,318 S * 9/1996 Berch D10/106.1
D402,223 S * 12/1998 Stella D10/106.9

D403,856 S * 1/1999 Dobbins D3/218
D596,061 S * 7/2009 Kurumagawa D10/106.1
D679,209 S * 4/2013 Reynolds D10/106.91
D698,679 S * 2/2014 Lindley D10/106.9
D709,397 S * 7/2014 Ennabli D10/106.9
D801,840 S * 11/2017 Dwyer D10/104.1
D815,970 S * 4/2018 Ramasarma B65D 73/0035
D10/104.1
D816,527 S * 5/2018 Ramasarma D10/104.1
2012/0125810 A1 * 5/2012 Birgers B65D 73/0035
206/779

* cited by examiner

Primary Examiner — George D. Kirschbaum

Assistant Examiner — Joseph J Kukella

(74) *Attorney, Agent, or Firm* — Hanley, Flight and
Zimmerman, LLC

(57) **CLAIM**

The ornamental design for a beacon housing, substantially
as shown and described.

DESCRIPTION

FIG. 1 is a perspective view of a beacon housing incorpo-
rating our new design.

FIG. 2 is a top view of the beacon housing.

FIG. 3 is a bottom view of the beacon housing.

FIG. 4 is a front view of the beacon housing.

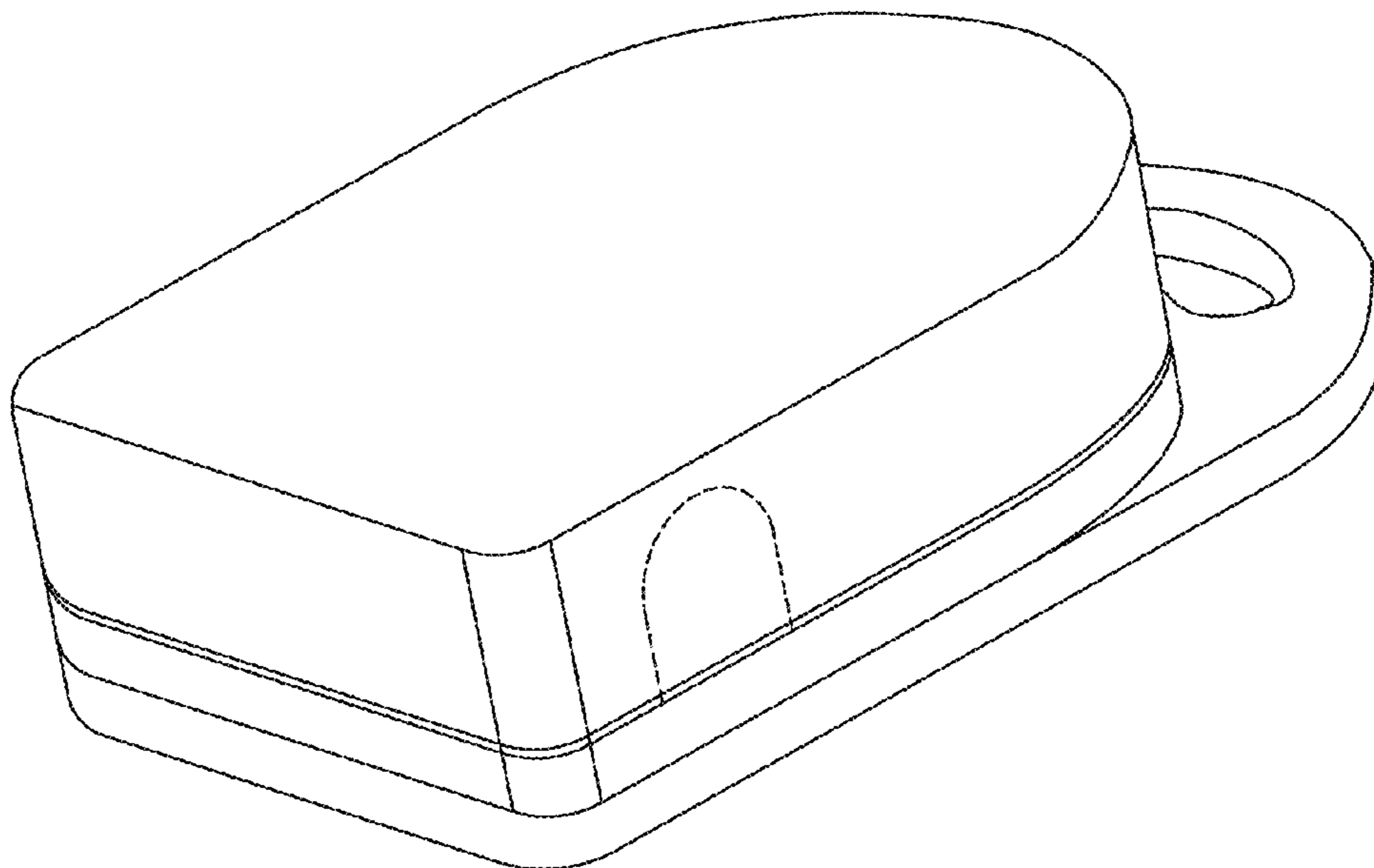
FIG. 5 is a back view of the beacon housing.

FIG. 6 is a first side view of the beacon housing; and,

FIG. 7 is a second side view of the beacon housing.

The broken line shown on the beacon housing is included for
the purpose of illustrating portions of the beacon housing
that form no part of the currently claimed design.

1 Claim, 4 Drawing Sheets



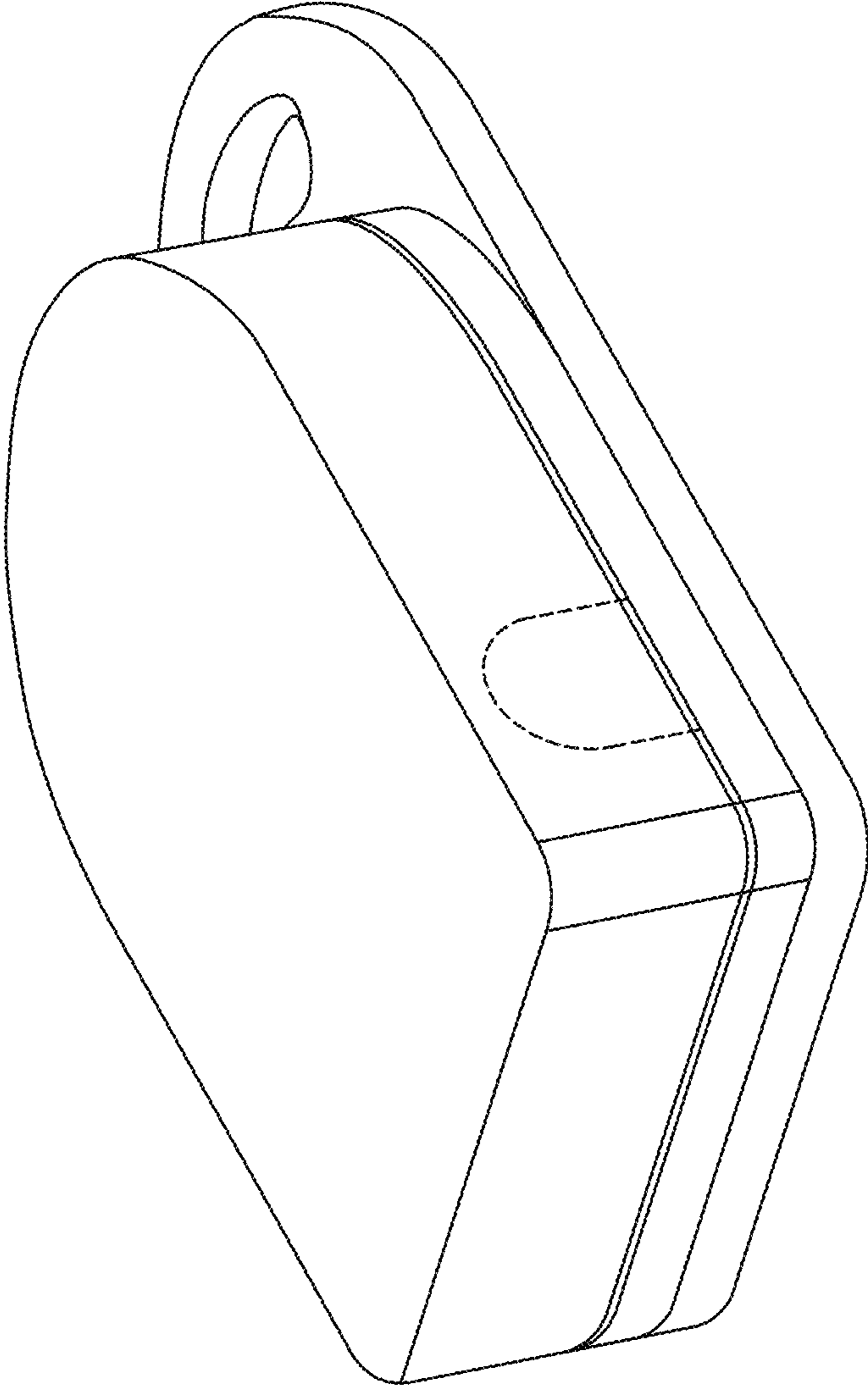


FIG. 1

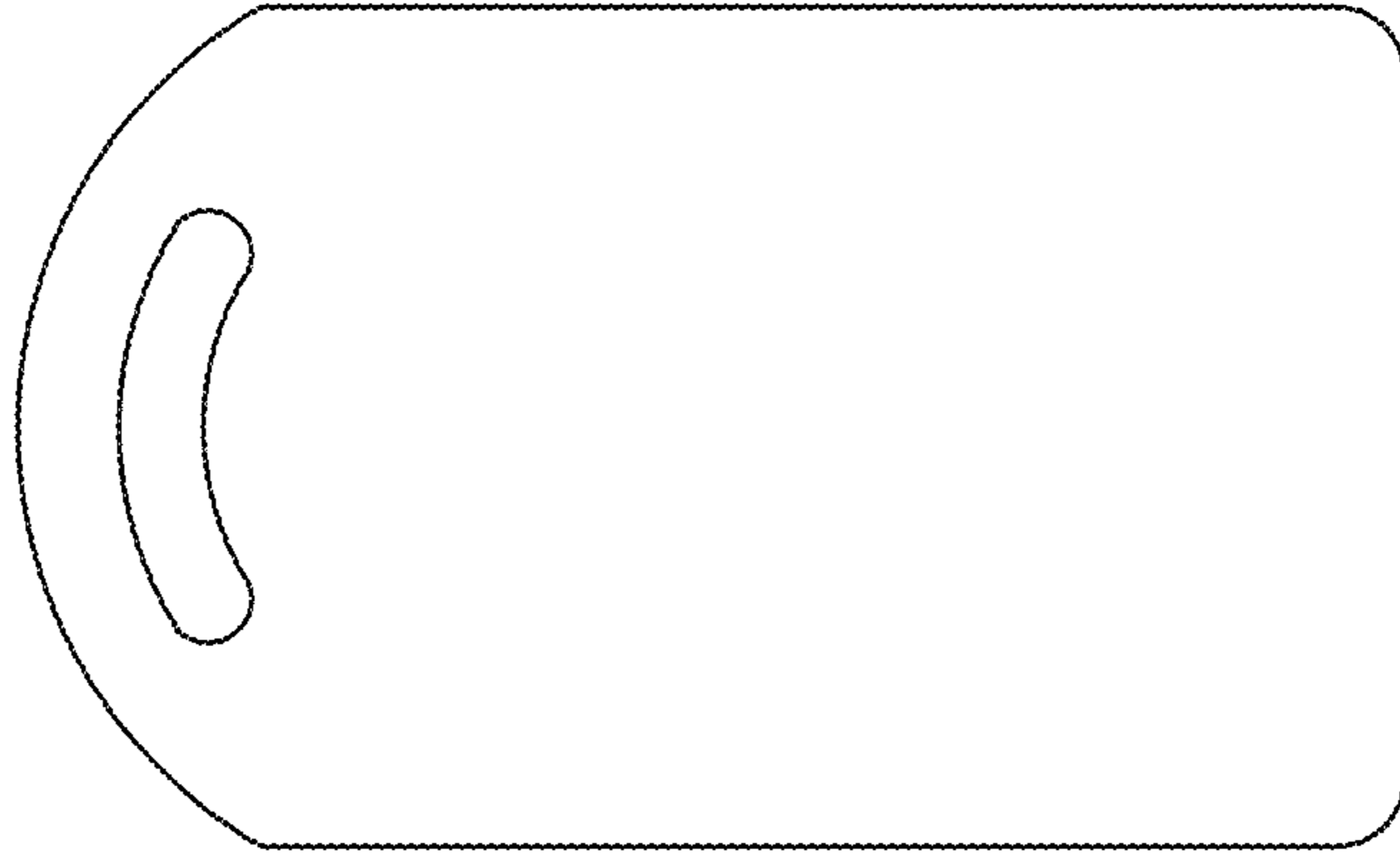


FIG. 3

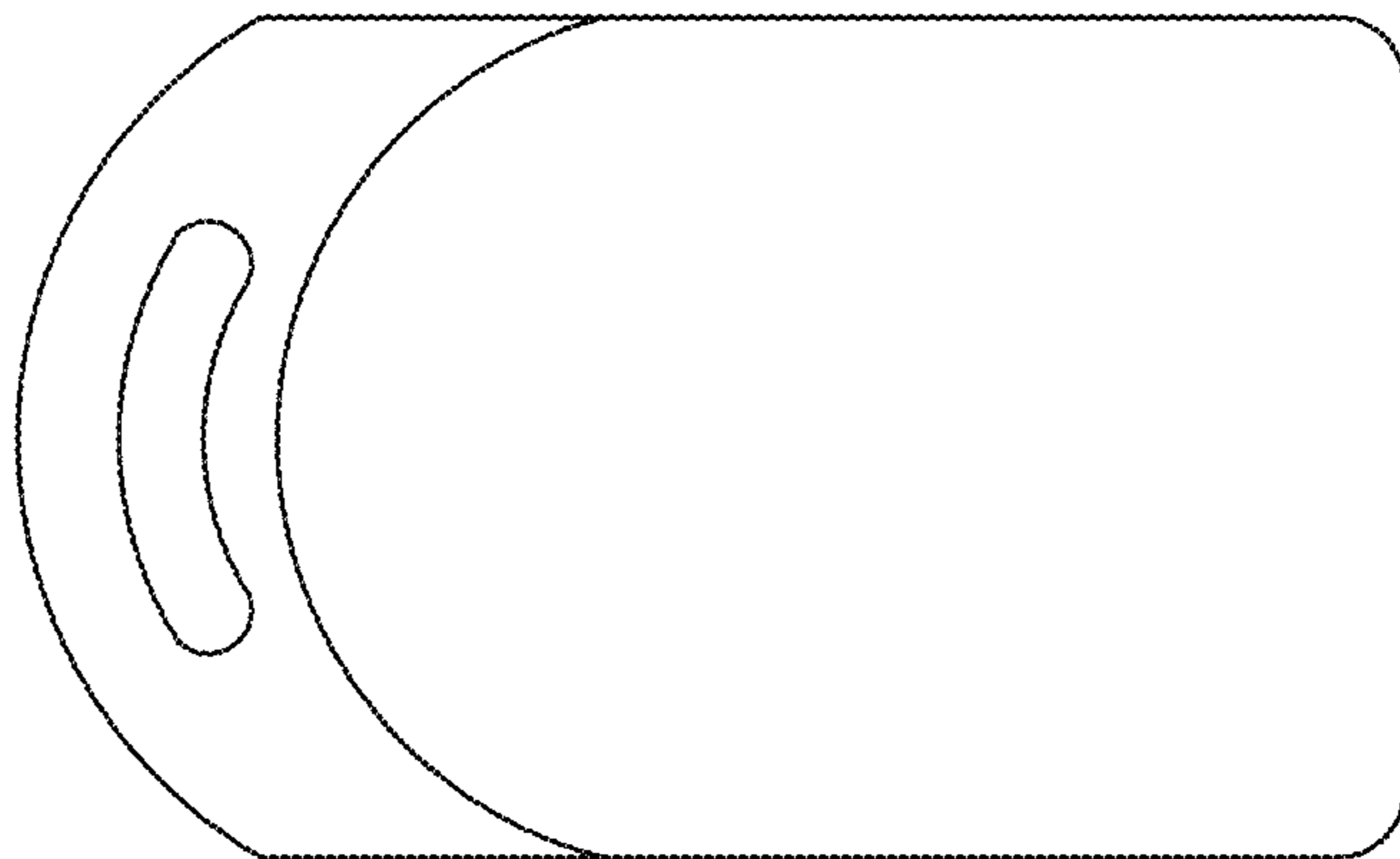


FIG. 2

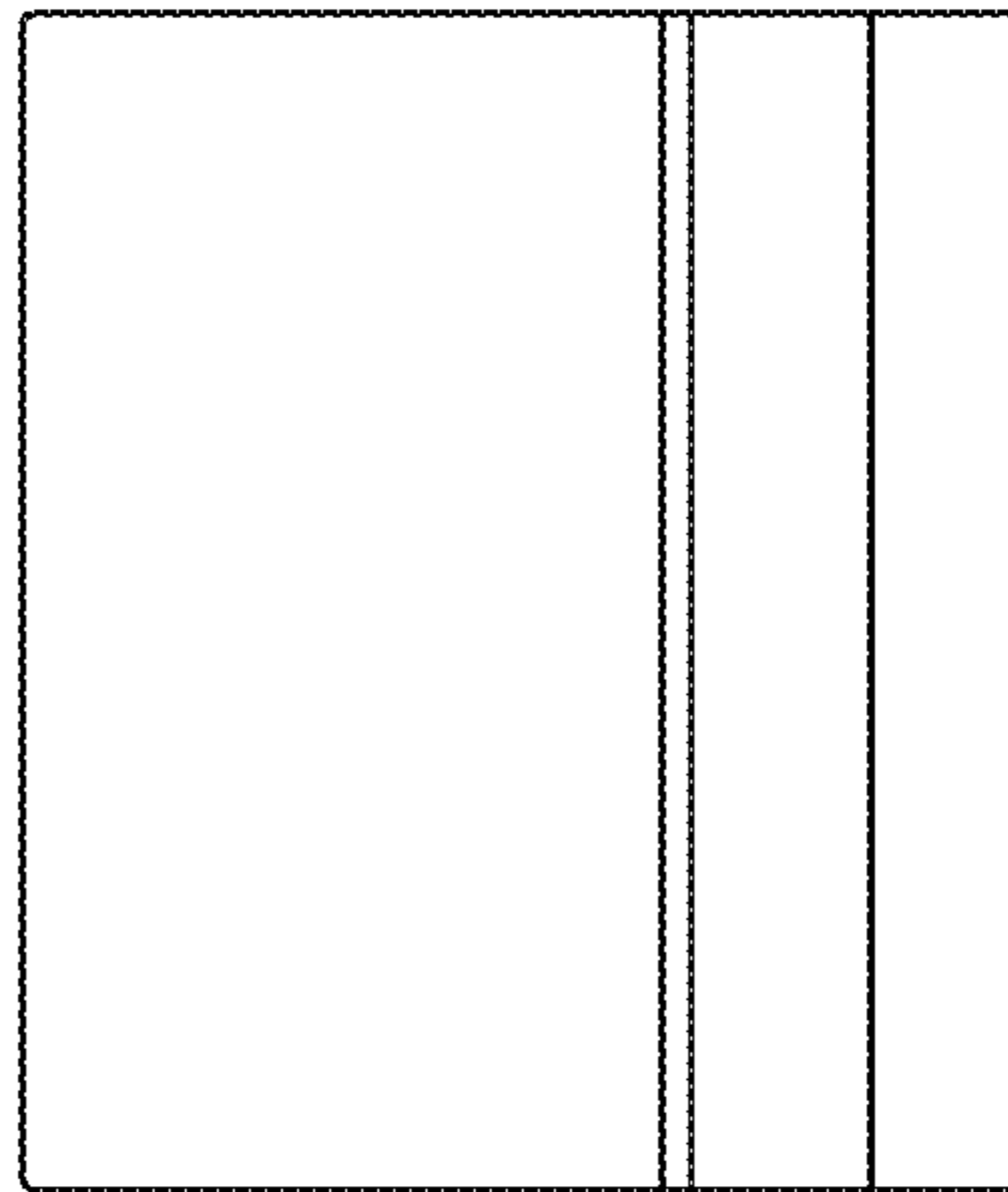


FIG. 5

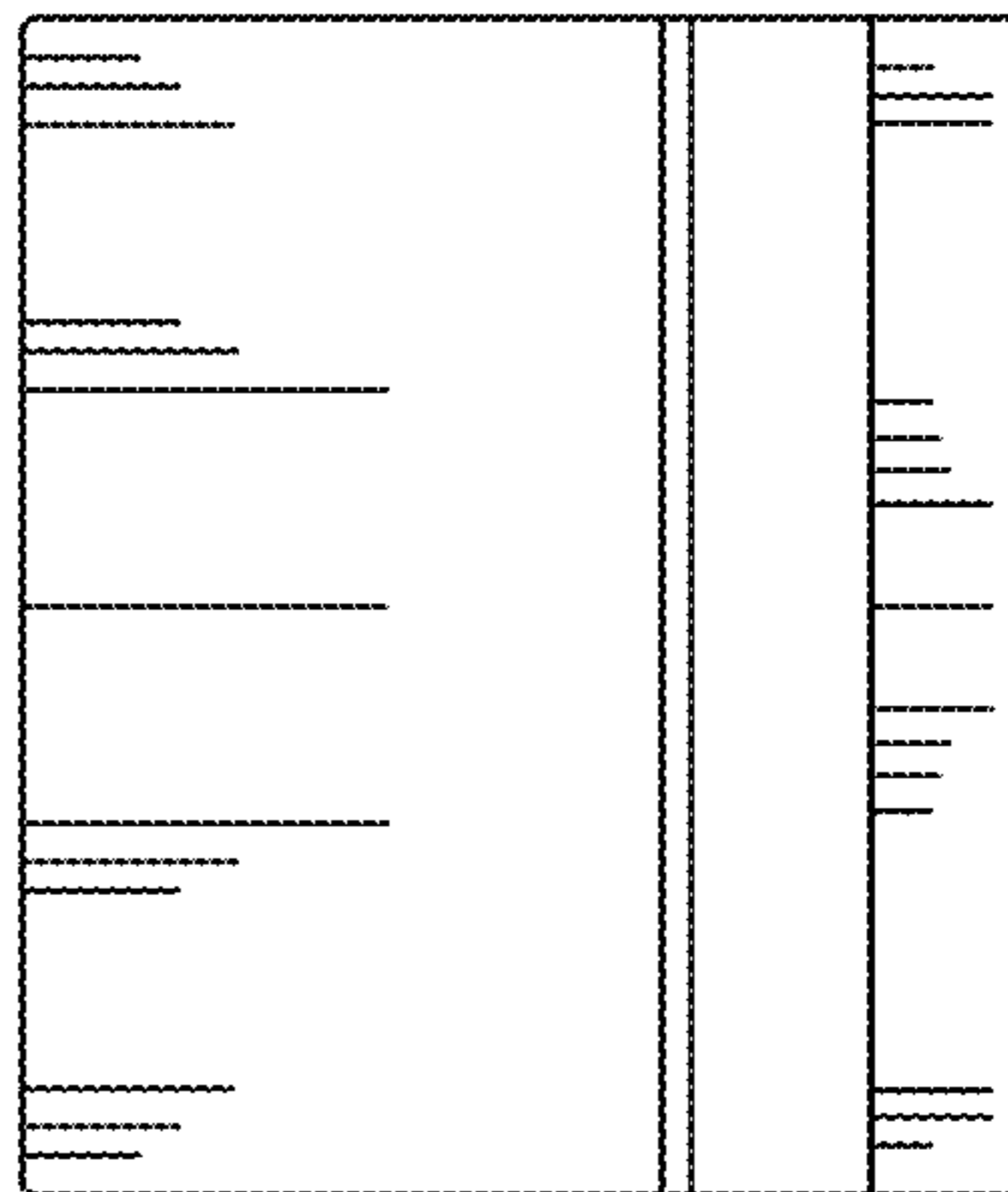


FIG. 4

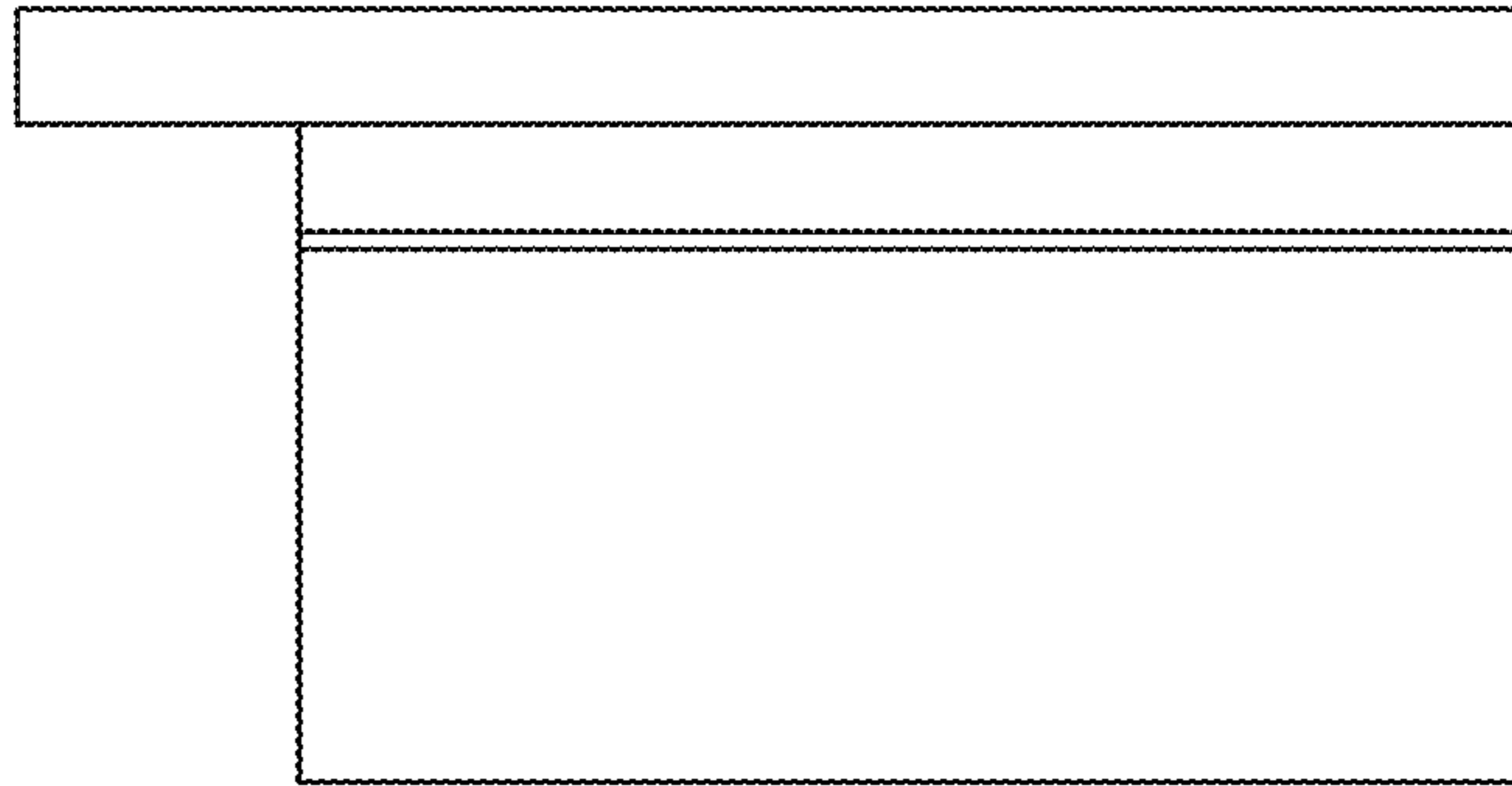


FIG. 7

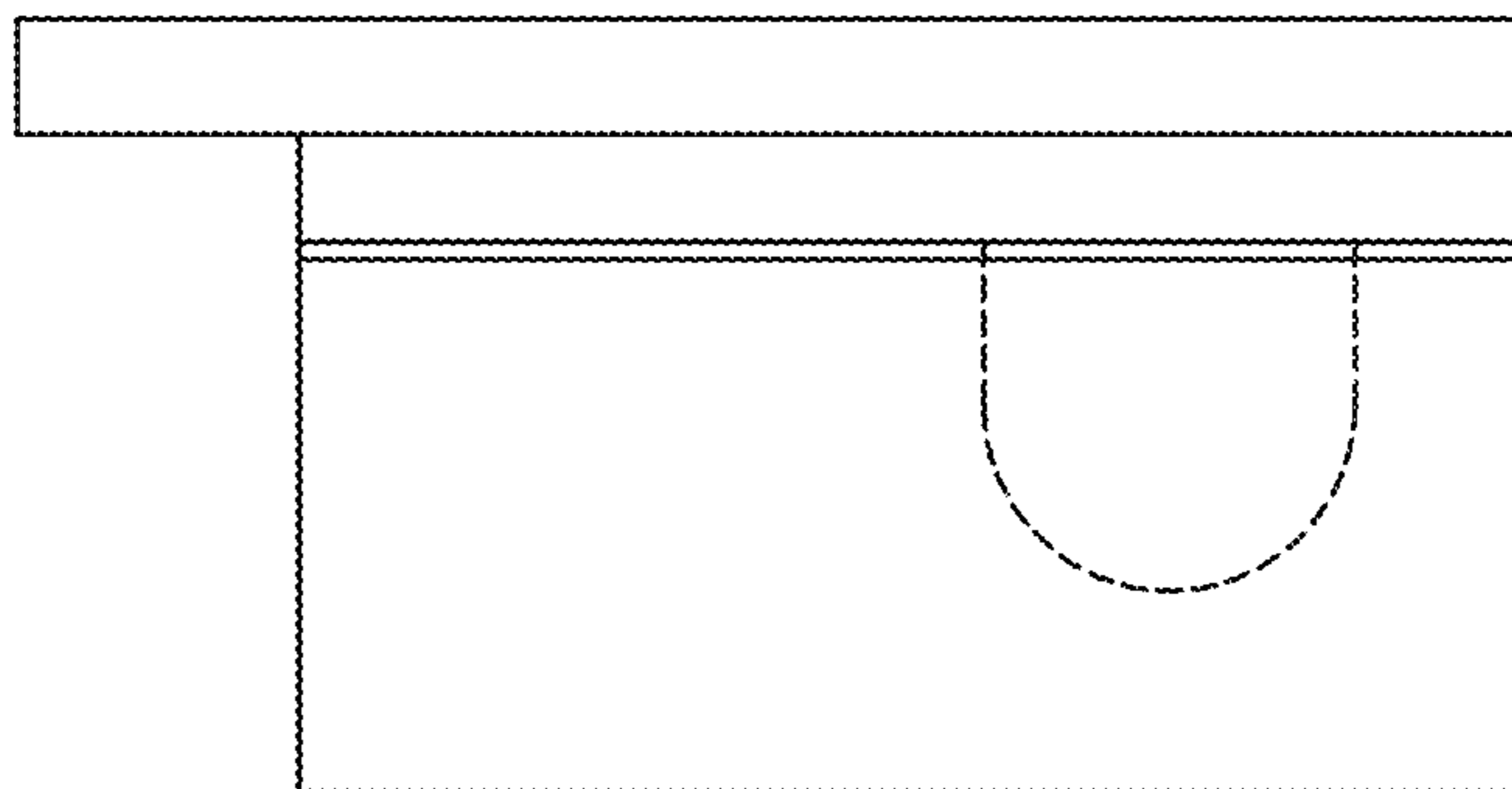


FIG. 6