



US00D836471S

(12) **United States Design Patent** (10) **Patent No.:** **US D836,471 S**  
**Wyatt et al.** (45) **Date of Patent:** **\*\* Dec. 25, 2018**

(54) **LEVEL**

FOREIGN PATENT DOCUMENTS

(71) Applicant: **Milwaukee Electric Tool Corporation**,  
Brookfield, WI (US)

CN 3383117 \* 8/2004  
CN 303876492 10/2016

(Continued)

(72) Inventors: **Michael Wyatt**, Waukesha, WI (US);  
**Joseph William Burge**, Milwaukee, WI  
(US); **Bryant Deakins**, Kansasville, WI  
(US)

OTHER PUBLICATIONS

<https://www.youtube.com/watch?v=8UBgA3jpodg> Posted Jun. 9,  
2017 (Year: 2017).\*

(Continued)

(73) Assignee: **Milwaukee Electric Tool Corporation**,  
Brookfield, WI (US)

(\*\*) Term: **15 Years**

*Primary Examiner* — Susan Bennett Hattan

*Assistant Examiner* — Leanne Was-Englehart

(21) Appl. No.: **29/593,131**

(74) *Attorney, Agent, or Firm* — Reinhart Boerner Van  
Deuren s.c.

(22) Filed: **Feb. 6, 2017**

(51) **LOC (11) Cl.** ..... **10-04**

(52) **U.S. Cl.**

USPC ..... **D10/69**

(58) **Field of Classification Search**

USPC ..... D10/69

CPC ... G01C 9/24; G01C 9/26; G01C 9/28; G01C  
9/30; G01C 9/32; G01C 9/34; G01C  
9/36; H02G 1/00; H02G 2200/30

See application file for complete search history.

(57) **CLAIM**

We claim the ornamental design for a level, as shown and  
described.

**DESCRIPTION**

FIG. 1 is a front perspective view from above of a level  
showing the new design;

FIG. 2 is a right side view of the claimed design of FIG. 1;

FIG. 3 is a left side view of the claimed design of FIG. 1;

FIG. 4 is a top view of the claimed design of FIG. 1;

FIG. 5 is a bottom view of the claimed design of FIG. 1;

FIG. 6 is a front view of the claimed design of FIG. 1; and,

FIG. 7 is a rear view of the claimed design of FIG. 1.

The ornamental design which is claimed is shown in solid  
lines in the drawing.

The evenly spaced broken lines in the drawings depict  
portions of the level that form no part of the claimed design.

The dot-dash broken lines depict the bounds of the claim and  
form no part of the claimed design.

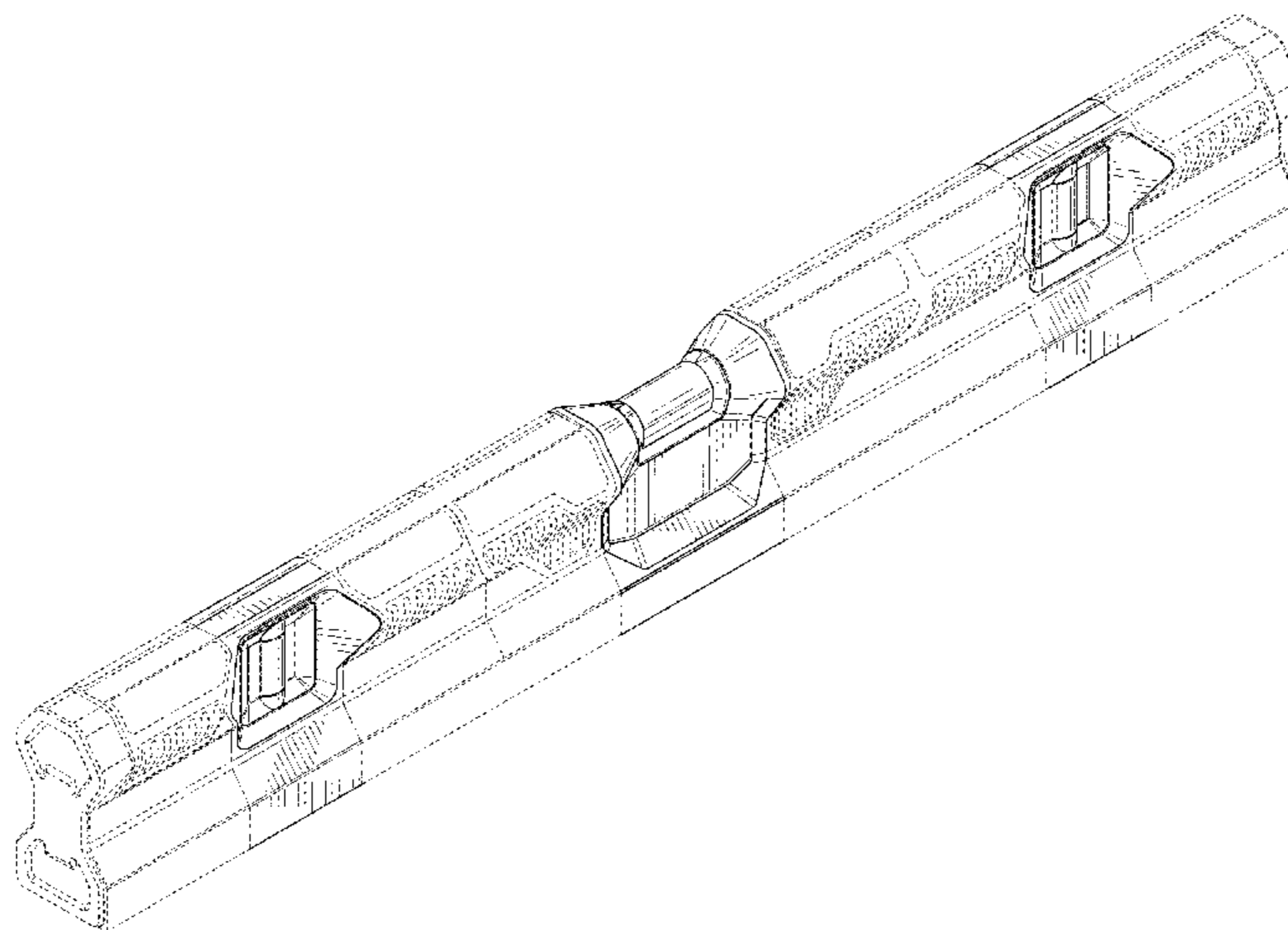
(56) **References Cited**

U.S. PATENT DOCUMENTS

3,889,353	A	6/1975	Provi	
3,921,306	A	11/1975	Provi	
4,407,075	A	10/1983	MacDermott et al.	
5,279,041	A	1/1994	Wright	
5,406,714	A	4/1995	Baker et al.	
6,675,490	B1	1/2004	Krehel et al.	
6,792,686	B2	9/2004	Krehel et al.	
D514,961	S *	2/2006	Kim	D10/69
7,150,107	B2	12/2006	Kim	
D563,808	S *	3/2008	Schwartz	D10/69
7,472,486	B2 *	1/2009	Tran	G01C 9/28 33/379

(Continued)

**1 Claim, 4 Drawing Sheets**



(56)

References Cited

U.S. PATENT DOCUMENTS

7,536,797 B2 5/2009 Steffens et al.  
 D623,544 S \* 9/2010 Kim ..... D10/69  
 7,900,366 B2 3/2011 Spaulding  
 D643,320 S \* 8/2011 Lewis ..... D10/69  
 D644,944 S \* 9/2011 Kallabis ..... D10/69  
 D646,595 S \* 10/2011 Allemand ..... D10/69  
 D686,926 S \* 7/2013 Moe ..... D10/62  
 8,631,584 B2 \* 1/2014 Steele ..... G01C 9/28  
 33/354  
 8,661,698 B2 3/2014 Kallabis  
 8,914,987 B2 12/2014 Sanchez et al.  
 D730,207 S \* 5/2015 Ben Josef ..... D10/69  
 D743,281 S \* 11/2015 Wojciechowski ..... D10/69  
 D743,818 S \* 11/2015 Wojciechowski ..... D10/69  
 D751,428 S \* 3/2016 Johnson ..... D10/69  
 D751,429 S \* 3/2016 Johnson ..... D10/69  
 D751,430 S \* 3/2016 Johnson ..... D10/69  
 D762,129 S \* 7/2016 Cobb ..... D10/69  
 D777,589 S \* 1/2017 Wojciechowski ..... D10/69  
 D796,973 S \* 9/2017 Wojciechowski ..... D10/69  
 D800,585 S \* 10/2017 Wojciechowski ..... D10/69  
 2005/0229415 A1 \* 10/2005 Kim ..... G01C 9/28  
 33/451

2005/0229416 A1 \* 10/2005 Kim ..... G01C 9/28  
 33/451  
 2006/0248738 A1 11/2006 Tran et al.  
 2011/0265340 A1 11/2011 Kallabis  
 2013/0192075 A1 8/2013 Sanches  
 2015/0300819 A1 10/2015 Pelletier et al.  
 2017/0131098 A1 \* 5/2017 Yu ..... G01C 9/34

FOREIGN PATENT DOCUMENTS

CN 303886119 10/2016  
 CN 303946967 11/2016  
 CN 303946968 11/2016  
 RU 00095253 \* 9/2015  
 TW D141126 6/2011  
 TW D148987 9/2012  
 WO WO2005103615 11/2005

OTHER PUBLICATIONS

<https://www.milwaukeeetool.com/hand-tools/layout/mIcon24> Retrieved Dec. 22, 2017 (Year: 2017).\*  
 International Search Report and Written Opinion for International Application No. PCT/US2017/037061 dated Sep. 11, 2017, 16 pages.

\* cited by examiner

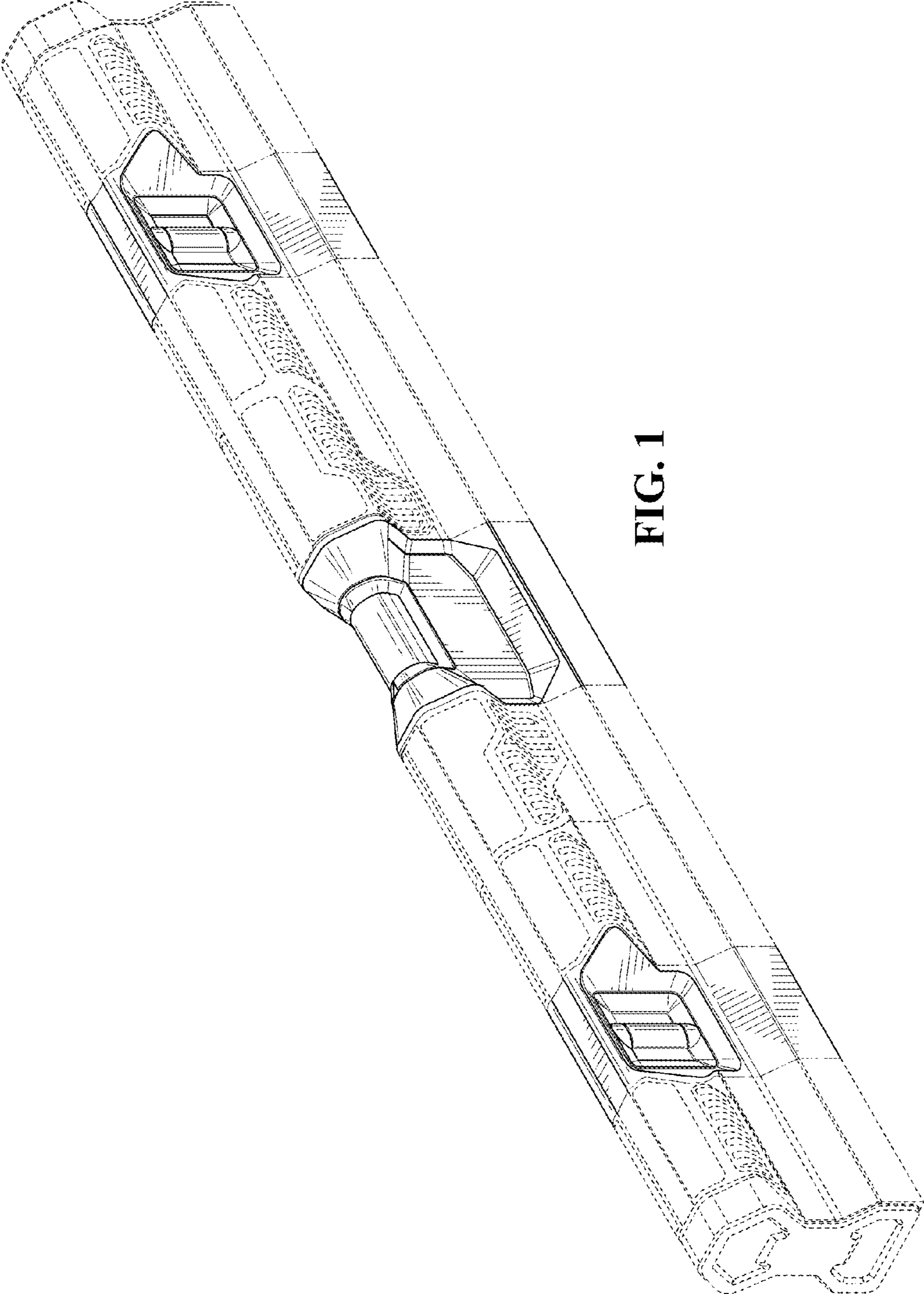
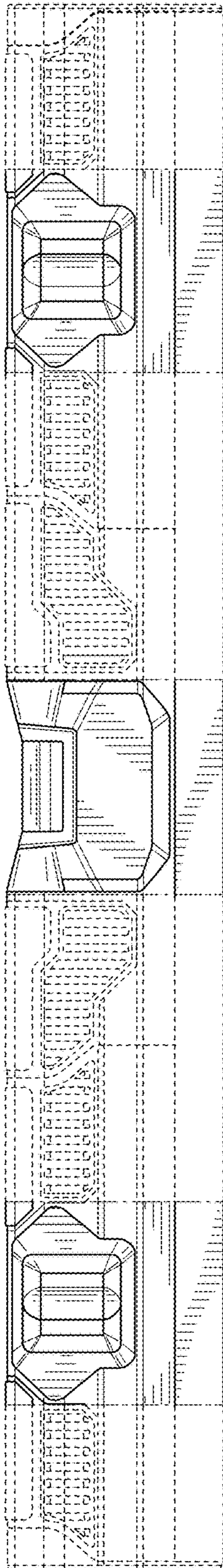
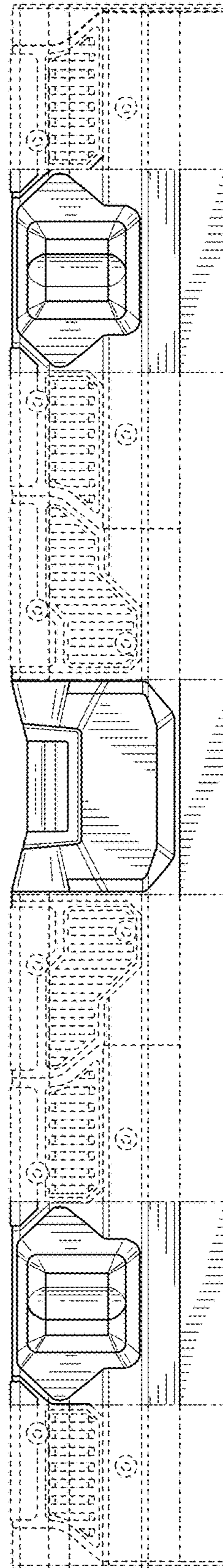


FIG. 1



**FIG. 2**



**FIG. 3**

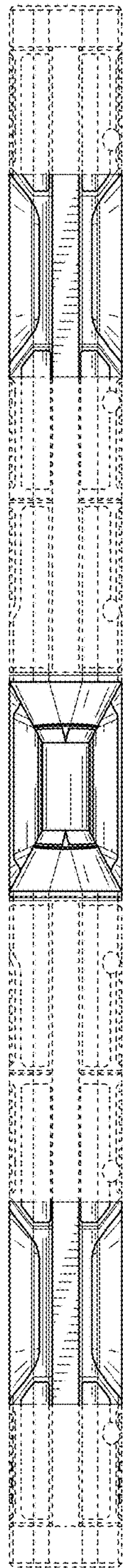


FIG. 4

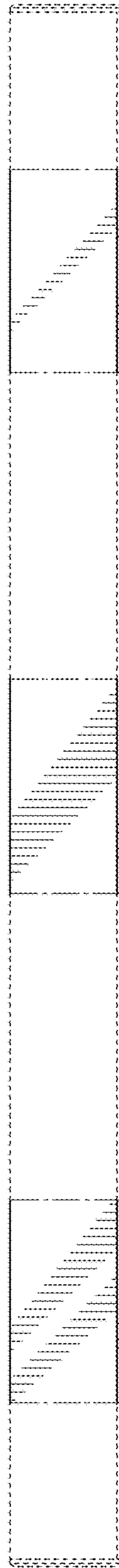
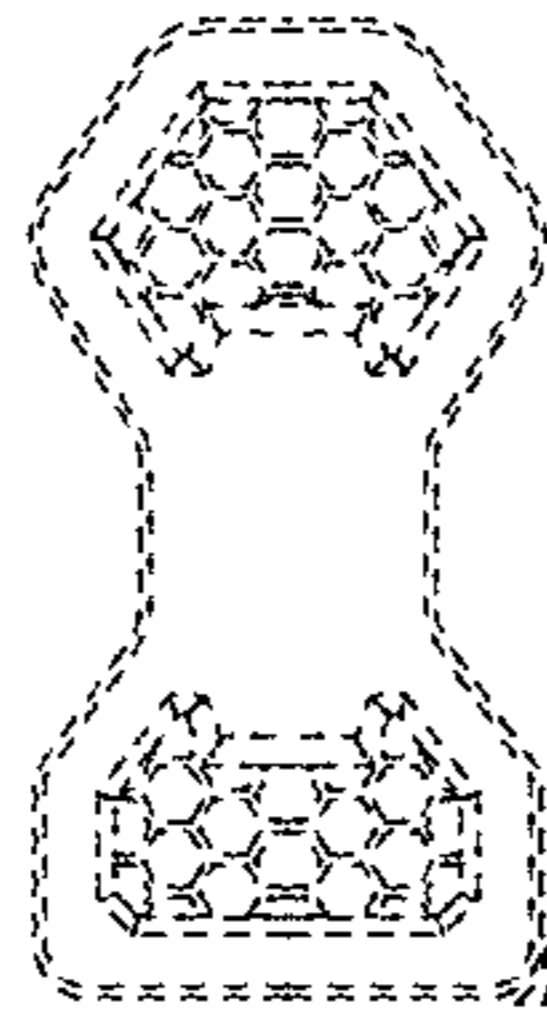
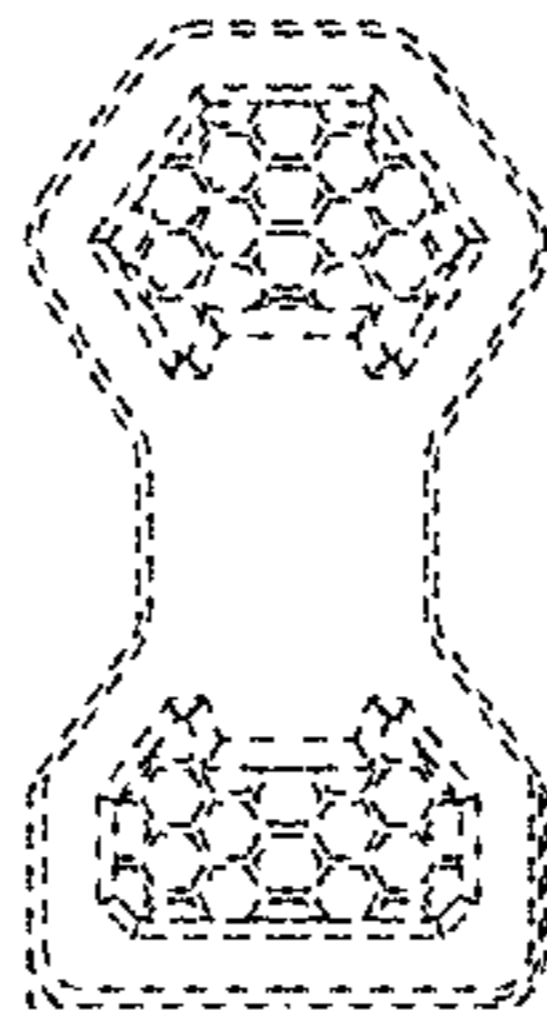


FIG. 5



**FIG. 6**



**FIG. 7**